

DS-C555-3X3



VESA®

200 x 200 up to  
600 x 400mm



Max load

900lb (409kg)  
100lb per display

**SMARTMOUNT.**

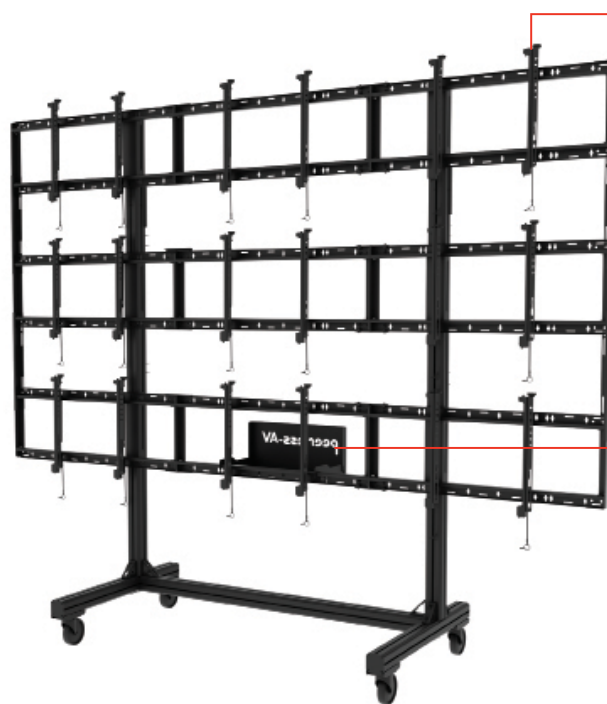
# Portable Video Wall Cart

## 2x2, 3x2 or 3x3 Configuration

FOR 46" TO 55" DISPLAYS UP TO 5" DEEP (127mm)

Peerless-AV takes video wall carts to a new level of innovation. With this new modular design, a 2x2, 3x2, or a 3x3 video wall cart configuration can be built with just a single SKU. This Modular Video Wall Cart offers an 8-point micro-adjustment to create a seamless alignment without the need of tools. With a five-inch lockable caster, the cart becomes secure for safe and easy movement over various flooring surfaces. Designed for a quick set-up and tear down, the cart features a quick-connect latch for adaptors, allowing automatic engagement with mounting rails. Media storage and cable management create a sleek appearance for any application setting. With an overall weight and shipping cost reduction, this Portable Video Wall Cart makes this the ultimate video wall cart solution.

- Modular design can be utilized for a 2x2, 3x2 or 3x3 configuration with a single SKU
- Tool-less micro-adjustment at 8 points seamlessly align the displays
- Lockable 5" casters enable safe and easy maneuverability over various flooring surfaces
- Cable management through rear adjustable cable centralizing brackets
- Designed for quick set-up and tear down
- Adaptors feature a quick connect latch for automatic engagement with the mounting rails and ease of set-up
- Rear media storage shelf and cover stores components while maintaining a clean appearance
- Aluminum frame reduces the overall weight and shipping costs
- VESA® 200 x 200 up to 600 x 400mm compatible
- Designed for displays that are up to 5" deep (127mm)



**NO TOOLS REQUIRED FOR MICRO-ADJUSTMENT**

Simple, tool-less micro-adjustments at 8 points seamlessly align the displays

**QUICK SET UP AND TEAR DOWN**

Engineered to reduce installation time and cost

**MEDIA STORAGE**

Rear shelf provides a central location and clean appearance



Please visit [peerless-av.com/en-us/patents](http://peerless-av.com/en-us/patents) for patent information.

✉ [info@peerless-av.com](mailto:info@peerless-av.com)  
🌐 [peerless-av.com](http://peerless-av.com)

**peerless-AV®**  
Driving Technology Through Innovation

DS-C555-3X3 SmartMount® Portable Video Wall Cart 2x2, 3x2 and 3x3 Configuration for 46" to 55" Displays up to 5" deep (127mm)

Product Specifications

|             | DIMENSIONS (W x H x D)                              | PRODUCT WEIGHT  | LOAD CAPACITY                      | FINISH   | AVAILABLE COLORS |
|-------------|---|-----------------|------------------------------------|----------|------------------|
| DS-C555-3X3 | 121.07" x 102.49" x 36.10"<br>(3075 x 2603 x 917mm) | 274lb (124.5kg) | 900lb (409kg)<br>100lb per display | Textured | Black            |

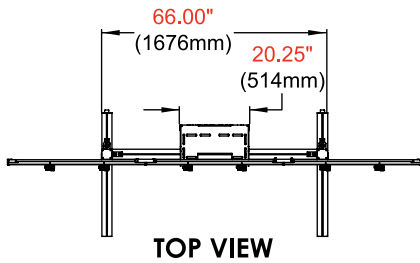
Package Specifications

|             | PACKAGE SIZE (W x H x D)                         | PACKAGE SHIP WEIGHT | PACKAGE UPC CODE | PACKAGE CONTENTS                              | UNITS IN PACKAGE |
|-------------|--|---------------------|------------------|---|------------------|
| DS-C555-3X3 | 37.50" x 12.50" x 84.00"<br>(953 x 318 x 2134mm) | 307lb (139.5kg)     | 735029301493     | Stand, casters, display adaptors and hardware | 1                |

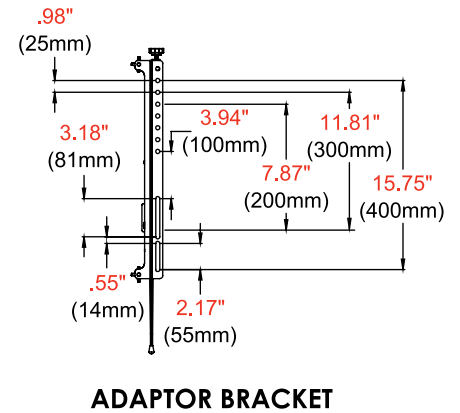
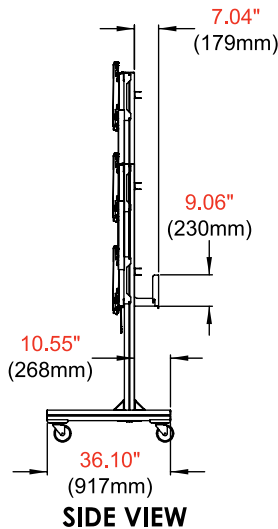
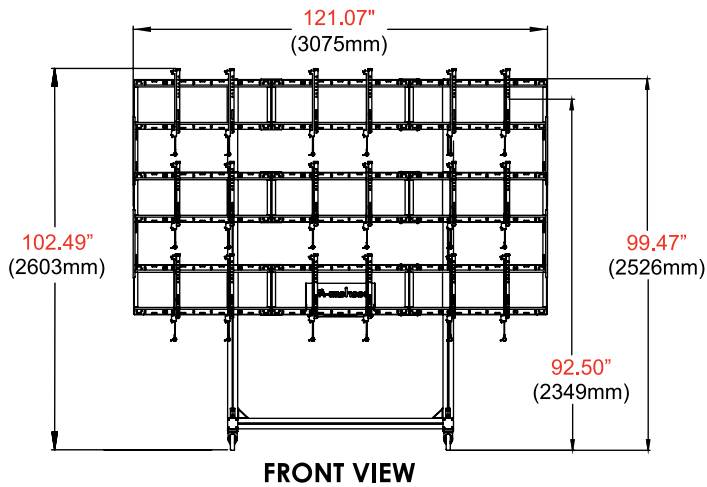
Accessories

- ACC-V600X: Adaptor accessory for 600 x 400mm mounting patterns
- ACC310VWC4: Video Wall Cart Accessory Feet - 4pk

All dimensions = inch (mm)



**COMPATIBILITY FORMULA**  
 Display height ≤ 31"  
 Two display widths + mount pattern width ≤ 120"



Architect Specifications

The Smartmount® Portable Video Wall Cart 2x2, 3x2 and 3x3 Configuration shall be a Peerless-AV model DS-C555-3X3 and shall be located where indicated on the plans. Assembly and installation shall be done according to instructions provided by the manufacturer.

Visit [peerless-av.com](http://peerless-av.com) to see the complete line of AV solutions from Peerless-AV, including outdoor displays, kiosks, digital audio, display mounts, projector mounts, carts/stands, and a full assortment of accessories.

**Peerless-AV**  
 2300 White Oak Circle  
 Aurora, IL 60502 USA  
**(800) 865-2112**  
**(630) 375-5100**  
**Fax: (800) 359-6500**

**Peerless-AV EMEA**  
 Unit 3 Watford Interchange  
 Colonial Way, Watford  
 Herts, WD24 4WP  
 United Kingdom  
**+44 (0) 1923 200100**  
**Fax: +44 (0) 1923 200101**

**Peerless-AV Latin America**  
 Av. de las Industrias 413  
 Parque Industrial Escobedo  
 General Escobedo, N.L.,  
 México, 66062  
**+52 (81) 8384-8300**  
**Fax: +52 (81) 8384-8360**

