



<https://www.sony.net/SonyInfo/Support/>

SONY®

5-054-862-41(1)

α7C II

α7C II

E-mount



"Help Guide" (Web manual)

Refer to "Help Guide" for in-depth instructions on the many functions of the camera.

https://rd1.sony.net/help/ilc/2360/h_zz/

Interchangeable Lens Digital Camera/Startup Guide	EN
Appareil photo à objectif interchangeable/Guide de démarrage	FR
Digitalkamera mit Wechselobjektiv/Einführungsanleitung	DE
Cámara Digital de Lentes Intercambiables/Guía de inicio	ES
Fotocamera digitale con obiettivo intercambiabile/Guida di avvio	IT
Câmara Digital de Objetivas intercambiáveis/Guia de início	PT
Digitale camera met verwisselbare lens/Beknopte gids	NL
Aparat cyfrowy z wymiennymi obiektywami/Przewodnik uruchamiania	PL
Цифровой фотоаппарат со сменным объективом/Руководство по началу работы	RU
Цифрова камера зі змінним об'єктивом/Посібник із початку роботи	UA
Digitalkamera med utbytbar objektiv/Startguide	SE
Digitaalinen kamera vaihdettavalla objektiivilla/Aloitusopas	FI
Digitalkamera med utskiftbart objektiv/Startveiledning	NO
Digitalkamera med udskifteligt objektiv/Startvejledning	DK



5054862410

©2023 Sony Corporation
Printed in Thailand

ILCE-7CM2

About the “Help Guide”



For detailed instructions on using the camera, refer to the “Help Guide” (web manual).

https://rd1.sony.net/help/ilc/2360/h_zz/

ILCE-7CM2 Help Guide



Preparations

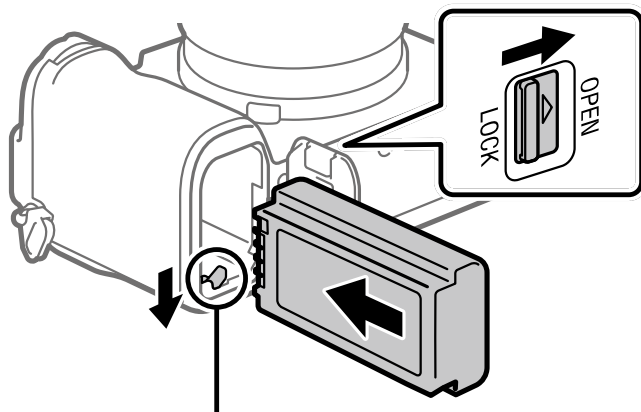
Checking the supplied items

The number in parentheses indicates the number of pieces.

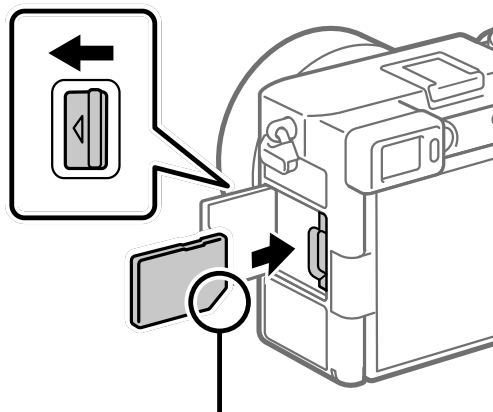
- Camera (1)
- Rechargeable battery pack NP-FZ100 (1)
- Shoulder strap (1)
- Body cap (1) (attached to the camera)
- Shoe cap (1) (attached to the camera)
- Startup Guide (this manual) (1)
- Reference Guide (1)

Inserting the battery pack (supplied)/memory card (sold separately) into the camera

Open the battery cover and the memory card cover, insert the battery/memory card, and close the covers.



Insert the battery pack while pressing the lock lever.

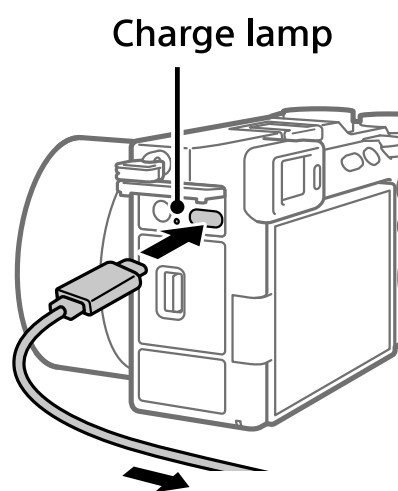


Ensure the notched corner faces correctly.

EN

This camera is compatible with SD memory cards. When you use a memory card with this camera for the first time, format the card using the camera in order to stabilize the performance of the memory card.

Charging the battery pack

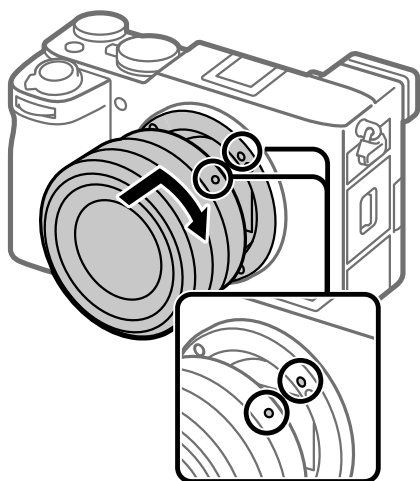


To an external power source

- 1 Turn the power off.**
 - If the camera is turned on, the battery pack will not be charged.
- 2 Using a commercially available USB Type-C cable, connect the USB Type-C terminal on the camera to an external power source, such as a commercially available USB AC adapter or mobile battery.**
 - The charge lamp will light up when charging starts. When the charge lamp turns off, charging is completed.

This camera is compatible with USB-PD (USB Power Delivery). When a device compatible with USB-PD is connected to the camera, fast charging is possible. We recommend using a USB-PD device that is compatible with an output of 9 V/3 A or 9 V/2 A.

Attaching a lens



Mounting indexes

- 1** Mount the lens by aligning the two white index marks (mounting indexes) on the lens and camera.
- 2** While pushing the lens lightly toward the camera, turn the lens slowly in the direction of the arrow until it clicks into the locked position.

Performing initial setup for the camera

By establishing a Bluetooth connection (pairing) between the camera and a smartphone, you can perform initial camera setup such as date and time settings from the smartphone. Install the dedicated application on your smartphone in advance, and then follow steps **1** to **4** under “Procedures for initial camera setup.”

Installing the dedicated smartphone application

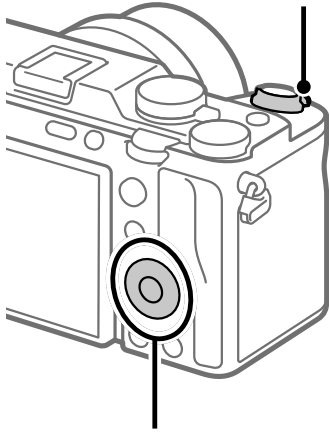


Install the application from the following website. Also, update to the latest version of the dedicated application. The specifications of the dedicated application may change without notice.

<https://www.sony.net/ca/>

■ Procedures for initial camera setup

ON/OFF (Power) switch



Control wheel/center button

- ❶ Set the ON/OFF (Power) switch to "ON" to turn on the camera.
- ❷ Select the desired language and then press the center of the control wheel.
 - The privacy notice screen will appear. Read the privacy notice regarding biometrics by opening the link using your smartphone, etc.
- ❸ Press the center of the control wheel.
- ❹ Follow the instructions on the camera screen to connect the camera with your smartphone and perform the initial setup.
 - You can also configure or change the initial settings later from the MENU of the camera.

EN

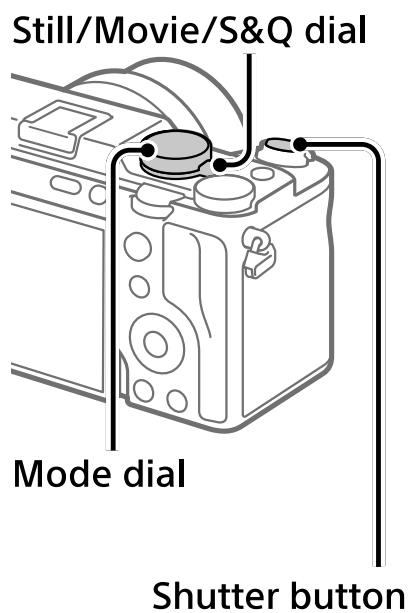
■ Pairing the camera with your smartphone later (Smartphone Connection)




For details on the connection method, refer to the following Help Guide URL:

https://rd1.sony.net/help/ilc/2360_pairing/h_zz/

Shooting still images



- 1 Turn and set the Still/Movie/S&Q dial to  (Still).
- 2 Select the desired shooting mode by turning the mode dial.
- 3 Press the shutter button halfway down to focus.
- 4 Press the shutter button all the way down.

Notes on use

Refer to “Precautions” in the “Help Guide” as well.

Notes on handling the product

- Do not leave the lens or the viewfinder exposed to a strong light source such as sunlight. Because of the lens’s condensing function, doing so may cause smoke, fire, or a malfunction inside the camera body or the lens. If you have to leave the camera exposed to a light source such as sunlight, attach the lens cap to the lens.
- If sunlight or other strong light enters the camera through the lens, it may focus inside the camera and cause smoke or fire. Attach the lens cap when storing the camera. When shooting with backlighting, keep the sun sufficiently far away from the angle of view. Even if it is slightly away from the angle of view, smoke or fire may still occur.
- Do not look at sunlight or a strong light source through the lens when it is detached. This may result in unrecoverable damage to the eyes or cause a malfunction.
- This camera (including accessories) has magnet(s) which may interfere with pacemakers, programmable shunt valves for hydrocephalus treatment, or other medical devices. Do not place this camera close to persons who use such medical devices. Consult your doctor before using this camera if you use any such medical device.
- Increase the volume gradually. Sudden loud noises can damage your ears. Be especially careful when listening to headphones.
- Do not leave the camera, the supplied accessories, or memory cards within the reach of infants. They may be accidentally swallowed. If this occurs, consult a doctor immediately.
- When shooting with the viewfinder, you may experience symptoms such as eyestrain, fatigue, motion sickness, or nausea. We recommend that you take a break at regular intervals when you are shooting with the viewfinder.
- If the monitor or electronic viewfinder is damaged, stop using the camera immediately. The damaged parts may harm your hands, face, etc.
- When shooting still images continuously, the monitor or viewfinder may flash between the shooting screen and a black screen. If you keep watching the screen in this situation, you may experience uncomfortable symptoms such as feeling of unwellness. If you experience uncomfortable symptoms, stop using the camera, and consult your doctor as necessary.
- When recording or streaming for long periods of time or recording 4K movies, if the same part of your skin touches the camera for a long period of time while using the camera, even if the camera does not feel hot to you, it may cause symptoms of a low-temperature burn such as redness or blistering. Pay special attention in the following situations and use a tripod, etc.
 - When using the camera in a high temperature environment
 - When someone with poor circulation or impaired skin sensation uses the camera


- When using the camera with [Auto Power OFF Temp.] set to [High]

Sony lenses/accessories

Using this unit with products from other manufacturers may affect its performance, leading to accidents or malfunction.

Note on the 5 GHz band for wireless LAN

When using the wireless LAN function outdoors, set the band to 2.4 GHz by following the procedure below. (WW499972 only)

- MENU →  (Network) → [Wi-Fi] → [Wi-Fi Frequency Band]

How to turn off wireless network functions (Wi-Fi, etc.) temporarily

When you board an airplane, etc., you can turn off all wireless network functions temporarily using [Airplane Mode].

For Customers in the U.S.A. and Canada

This equipment complies with FCC radiation exposure limits set forth for an uncontrolled environment and meets the FCC radio frequency (RF) Exposure Guidelines. This equipment has very low levels of RF energy that is deemed to comply without testing of specific absorption rate (SAR). The available scientific evidence does not show that any health problems are associated with using low power wireless devices. There is no proof, however, that these low power wireless devices are absolutely safe. Low power Wireless devices emit low levels of radio frequency energy (RF) in the microwave range while being used. Whereas high levels of RF can produce health effects (by heating tissue), exposure of low-level RF that

does not produce heating effects causes no known adverse health effects. Many studies of low-level RF exposures have not found any biological effects. Some studies have suggested that some biological effects might occur, but such findings have not been confirmed by additional research.

This equipment has been tested and found to comply with ISED radiation exposure limits set forth for an uncontrolled environment and meets RSS-102 of the ISED radio frequency (RF) Exposure rules.

For Customers in the U.S.A.

For question regarding your product or for the Sony Service Center nearest you, call 1-800-222-SONY (7669) .

Supplier's Declaration of Conformity

Trade Name : SONY

Model : WW499972

Responsible Party : Sony Electronics Inc.

Address : 16535 Via Esprillo, San Diego, CA 92127 U.S.A.

Telephone Number : 858-942-2230

Important note on use of 5 GHz wireless LAN

Compliance with FCC requirement 15.407(c)

Data transmission is always initiated by software, which is the passed down through the MAC, through the digital and analog baseband, and finally to the RF chip. Several special packets are initiated by the MAC. These are the only ways the digital baseband portion will turn on the RF transmitter, which it then turns off at the end of the packet. Therefore, the transmitter will be on only while one of the aforementioned packets is being transmitted. In other words,

this device automatically discontinues transmission in case of either absence of information to transmit or operational failure.

Frequency Tolerance: ± 20 ppm

For Customers in Canada

5 150-5 350 MHz band is restricted to indoor operation only.

High-power radars are allocated as primary users (i.e. priority users) of the bands 5 250-5 350 MHz and 5 650-5 850 MHz and that these radars could cause interference and/or damage to LE-LAN devices.

For Customers in Europe

IEEE802.11 b/g/n	2 400 MHz	< 60 mW e.i.r.p.
IEEE802.11 a/n/ac	5 150 - 5 350 MHz 5 470 - 5 725 MHz	< 35 mW e.i.r.p.
IEEE802.11 a/n/ac	5 725 - 5 850 MHz	< 25 mW e.i.r.p.
Bluetooth	2 400 MHz	< 10 mW e.i.r.p.

Hereby, Sony Corporation declares that this equipment is in compliance with Directive 2014/53/EU.

The full text of the EU declaration of conformity is available at the following internet address:
<https://www.compliance.sony.eu>

Hereby, Sony Corporation declares that this equipment is in compliance with the UK relevant statutory requirements.

The full text of the declaration of conformity is available at the following internet address:
<https://compliance.sony.co.uk>

For this radio equipment the following restrictions on putting into service or of requirements for authorization of use apply in AT/BE/BG/CY/CZ/DK/EE/FI/FR/DE/EL/HU/IE/IT/LV/LT/LU/MT/NL/PL/PT/RO/SK/SI/ES/SE/UK/UK(NI)/HR/IS/LI/NO/CH/AL/BA/MK/MD/RS/ME/XK/TR:

5 150 - 5 350 MHz band is restricted to indoor operations only.

The power delivered by the charger must be between min 2.5 Watts required by the radio equipment, and max 27 Watts in order to achieve the maximum charging speed.


USB PD fast charging



For customers who purchased their camera from a store in Japan that caters to tourists

Note

Some certification marks for standards supported by the camera can be confirmed on the screen of the camera.

Select MENU →  (Setup) → [Setup Option] → [Certification Logo].

Specifications

Camera

[System]

Camera Type:

Interchangeable Lens Digital Camera

Lens: Sony E-mount lens

[Image sensor]

Image format: 35 mm full frame, CMOS image sensor

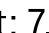
Effective pixel number of camera:

Approx. 33 000 000 pixels

Total pixel number of camera:

Approx. 34 100 000 pixels

[General]

Rated input: 7.2 V , 3.7 W

Operating temperature:

0 to 40 °C (32 to 104 °F)

Storage temperature:

-20 to 55 °C (-4 to 131 °F)

Dimensions (W/H/D) (Approx.):

124.0 × 71.1 × 63.4 mm

124.0 × 71.1 × 58.6 mm

(from grip to monitor)

5 × 2 7/8 × 2 1/2 in.

5 × 2 7/8 × 2 3/8 in.

(from grip to monitor)

Mass (Approx.):

514 g (1 lb 2.2 oz) (including battery pack, SD Card)

[Wireless LAN]

WW499972 (see name plate on the bottom of camera)

Supported format:

IEEE 802.11 a/b/g/n/ac

Frequency band: 2.4 GHz/5 GHz

WW643958 (see name plate on the bottom of camera)

Supported format:

IEEE 802.11 b/g/n

Frequency band: 2.4 GHz

Rechargeable battery pack NP-FZ100

Rated voltage: 7.2 V 

Design and specifications are subject to change without notice.

Compatible iPhone/iPad models

iPhone 14 Pro Max, iPhone 14 Pro, iPhone 14 Plus, iPhone 14, iPhone SE (3rd generation), iPhone 13 Pro Max, iPhone 13 Pro, iPhone 13, iPhone 13 mini, iPhone 12 Pro Max, iPhone 12 Pro, iPhone 12, iPhone 12 mini, iPhone SE (2nd generation), iPhone 11 Pro Max, iPhone 11 Pro, iPhone 11, iPhone XS Max, iPhone XS, iPhone XR, iPhone X, iPhone 8 Plus, iPhone 8, iPhone 7 Plus, iPhone 7, iPhone SE, iPhone 6s Plus, iPhone 6s, iPad Air (3rd, 4th, and 5th generation), iPad (5th through 10th generation), iPad mini (6th generation), iPad Pro 12.9-inch (1st through 6th generation), iPad Pro 11-inch (1st through 4th generation), iPad Pro 10.5-inch, iPad Pro 9.7-inch, iPad Air 2, iPad mini (5th generation), iPad mini 4 (As of May 2023)

Trademarks/Licenses

- **α** is a trademark of Sony Group Corporation.
- Apple, iPhone and iPad are trademarks of Apple Inc., registered in the U.S. and other countries.
- USB Type-C® and USB-C® are registered trademarks of USB Implementers Forum.
- Wi-Fi, the Wi-Fi logo and Wi-Fi Protected Setup are registered trademarks or trademarks of the Wi-Fi Alliance.
- The Bluetooth® word mark and logos are registered trademarks owned by Bluetooth SIG, Inc. and any use of such marks by Sony Group Corporation and its subsidiaries is under license.
- QR Code is a trademark of Denso Wave Inc.
- In addition, system and product names used in this manual are, in general, trademarks or registered trademarks of their respective developers or manufacturers. However, the ™ or ® marks may not be used in all cases in this manual.

IMPORTANT – Read the End User Software License Agreement before using your Sony product.

Using your product indicates your acceptance of the End User Software License Agreement. The software license agreement between you and Sony is available at the following URL:

(https://rd1.sony.net/help/di/el23/h_zz/)

- Use of the Made for Apple badge means that an accessory has been designed to connect specifically to the Apple product(s) identified in the badge, and has been certified by the developer to meet Apple performance standards. Apple is not responsible for the operation of this device or its compliance with safety and regulatory standards.



Additional information on this product and answers to frequently asked questions can be found at our Customer Support Website.

<https://www.sony.net/>

EN

À propos du « Guide d'aide »



Pour plus d'informations sur l'utilisation de l'appareil photo, consultez le « Guide d'aide » (manuel en ligne).

https://rd1.sony.net/help/ilc/2360/h_zz/

ILCE-7CM2 Guide d'aide



Préparatifs

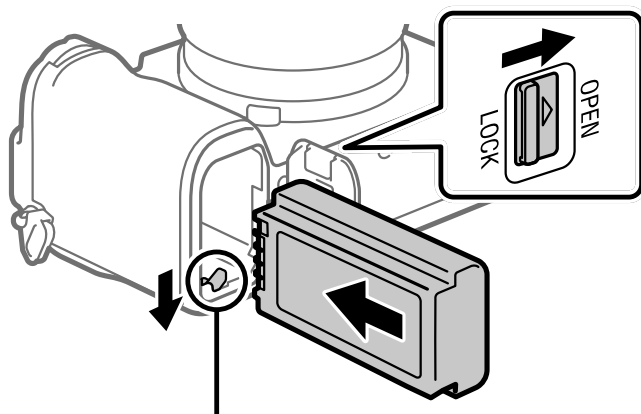
Vérification des éléments fournis

Le nombre indiqué entre parenthèses correspond au nombre d'éléments fournis.

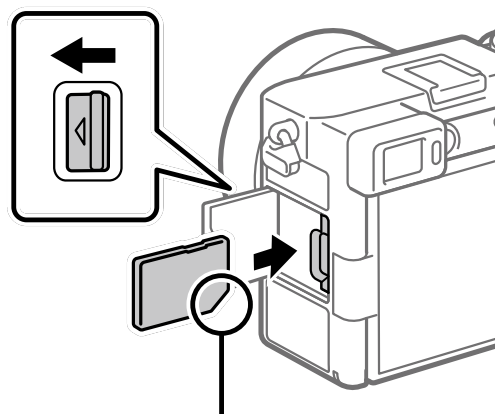
- Appareil photo (1)
- Batterie rechargeable NP-FZ100 (1)
- Bandoulière (1)
- Capuchon de boîtier (1) (fixé à l'appareil photo)
- Capuchon de la griffe (1) (fixé à l'appareil photo)
- Guide de démarrage (ce manuel) (1)
- Guide de référence (1)

Insertion de la batterie (fourni)/carte mémoire (vendu séparément) dans l'appareil

Ouvrez le couvercle du compartiment de la batterie et le couvercle de la carte mémoire, insérez la batterie/carte mémoire, puis fermez les couvercles.



Insérez la batterie tout en appuyant sur le levier de verrouillage.



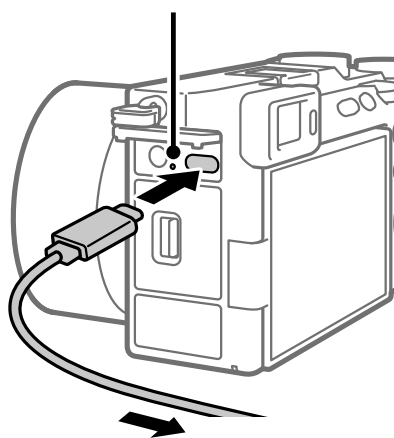
Assurez-vous que le coin entaillé est correctement orienté.

FR

Cet appareil est compatible avec les cartes mémoire SD. Lorsque vous utilisez une carte mémoire pour la première fois avec cet appareil, formatez-la en utilisant l'appareil, afin de stabiliser la performance de la carte mémoire.

Charge de la batterie

Témoin de charge



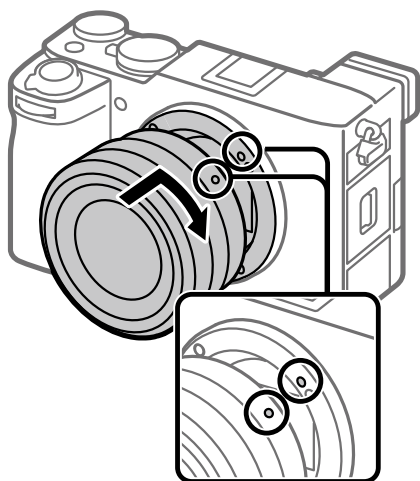
Vers une source d'alimentation externe

- 1 Mettez l'appareil hors tension.**
 - Si l'appareil est sous tension, la batterie ne sera pas chargée.
- 2 Au moyen d'un câble USB Type-C en vente dans le commerce, branchez le connecteur USB Type-C de l'appareil à une source d'alimentation externe, comme un adaptateur secteur USB ou une batterie mobile en vente dans le commerce.**
 - Le témoin de charge s'allumera au commencement de la charge. Lorsque le témoin de charge s'éteint, la charge est terminée.

FR
3

Cet appareil est compatible avec USB-PD (USB Power Delivery). Lorsqu'un périphérique compatible USB-PD est connecté à l'appareil, la charge rapide est possible. Nous vous recommandons d'utiliser un dispositif USB-PD compatible avec une sortie 9 V/3 A ou 9 V/2 A.

Fixation d'un objectif



Repères de montage

- 1** Installez l'objectif en alignant le repère blanc de l'objectif et celui de l'appareil photo (repères de montage).
- 2** Tout en poussant doucement l'objectif vers l'appareil, tournez lentement l'objectif dans le sens de la flèche jusqu'à ce qu'il s'enclenche en position verrouillée.

Configuration initiale de l'appareil

En établissant une connexion (synchronisation) Bluetooth entre l'appareil et un smartphone, vous pouvez effectuer la configuration initiale de l'appareil, comme par exemple les réglages de la date et de l'heure, depuis le smartphone. Installez au préalable l'application dédiée sur votre smartphone, puis suivez les étapes **1** à **4** sous « Procédures de configuration initiale de l'appareil ».

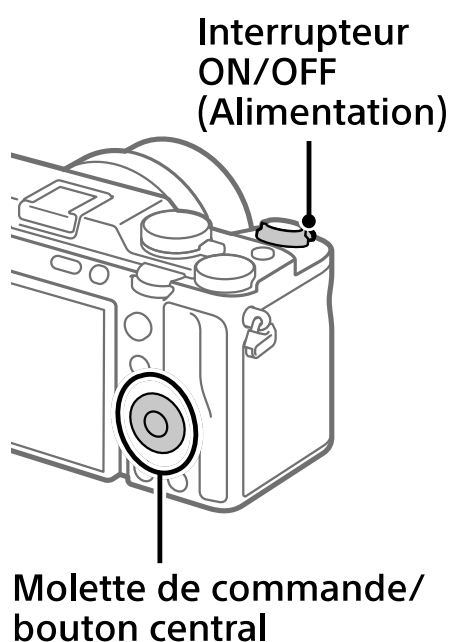
Installation de l'application pour smartphone dédiée



Installez l'application à partir du site Web suivant. Mettez également à jour à la dernière version de l'application dédiée. Les spécifications de l'application dédiée peuvent changer sans préavis.

<https://www.sony.net/ca/>

■ Procédures de configuration initiale de l'appareil



- 1 Placez l'interrupteur ON/OFF (Alimentation) sur « ON » pour mettre l'appareil sous tension.**
- 2 Sélectionnez la langue souhaitée et appuyez au centre de la molette de commande.**
 - L'écran d'avis de confidentialité apparaît. Lisez l'avis de confidentialité concernant les données biométriques en ouvrant le lien avec votre smartphone, etc.
- 3 Appuyez au centre de la molette de commande.**
- 4 Suivez les instructions affichées sur l'écran de l'appareil pour connecter l'appareil à votre smartphone et effectuer la configuration initiale.**
 - Vous pouvez également configurer ou modifier ultérieurement les réglages initiaux à partir du MENU de l'appareil.

FR

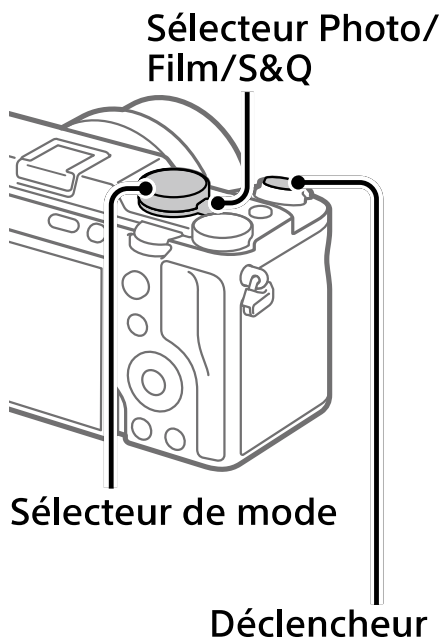
■ Synchronisation ultérieure de l'appareil photo avec un smartphone (Connexion smartph.)




Pour plus d'informations sur la méthode de connexion, consultez l'URL du Guide d'aide suivante :

https://rd1.sony.net/help/ilc/2360_pairing/h_zz/

Prise d'images fixes



- 1 Tournez et réglez le sélecteur Photo/Film/S&Q sur  (Photo).
- 2 Sélectionnez le mode de prise de vue souhaité en tournant le sélecteur de mode.
- 3 Enfoncez le déclencheur à mi-course pour effectuer la mise au point.
- 4 Enfoncez complètement le déclencheur.

Remarques sur l'utilisation

Consultez également les « Précautions » dans le « Guide d'aide ».

Remarques sur la manipulation du produit

- Ne laissez pas l'objectif ou le viseur exposés à une source de lumière intense, comme les rayons du soleil. En raison de la fonction de condensation de l'objectif, cela pourrait provoquer un dégagement de fumée, un incendie ou un dysfonctionnement à l'intérieur du boîtier de l'appareil ou de l'objectif. Si vous devez laisser l'appareil exposé à une source de lumière comme les rayons du soleil, fixez le capuchon d'objectif sur l'objectif.
- Si la lumière du soleil ou une autre source de lumière forte pénètre dans l'appareil à travers l'objectif, elle peut se concentrer à l'intérieur de l'appareil et provoquer un dégagement de fumée ou un incendie. Fixez le capuchon d'objectif pour ranger l'appareil. Lors de la prise de vue en contre-jour, maintenez le soleil suffisamment loin de l'angle de champ. Même s'il est légèrement éloigné de l'angle de champ, il existe toujours un risque de dégagement de fumée ou d'incendie.
- Ne regardez pas le soleil ou une source de lumière intense à travers l'objectif après l'avoir retiré de l'appareil. Vous risquez des blessures oculaires irréversibles et de provoquer un dysfonctionnement.
- Cet appareil (y compris les accessoires) comporte un ou des aimants qui peuvent perturber les stimulateurs cardiaques, les valves de dérivation programmables pour le traitement de l'hydrocéphalie ou d'autres appareils médicaux. Ne placez pas cet appareil près de personnes utilisant ce type d'appareil médical. Consultez votre médecin avant d'utiliser cet appareil si vous utilisez ce type d'appareil médical.
- Augmentez progressivement le volume. Des bruits forts soudains peuvent abîmer votre audition. Faites particulièrement attention lorsque vous écoutez avec un casque.
- Ne laissez pas l'appareil, les accessoires fournis ou les cartes mémoire à la portée des jeunes enfants. Ils pourraient être avalés accidentellement. Le cas échéant, consultez immédiatement un médecin.
- Lorsque vous effectuez des prises de vue en utilisant le viseur, il se peut que vous présentiez les symptômes suivants : fatigue visuelle, fatigue, mal des transports ou nausée. Nous vous recommandons de faire des pauses régulières lorsque vous effectuez des prises de vue en utilisant le viseur.
- Si l'écran ou le viseur électronique est endommagé, cessez immédiatement d'utiliser l'appareil photo. Les pièces endommagées peuvent blesser vos mains, votre visage, etc.

FR


- Lors de la prise d'images fixes en continu, il se peut que l'affichage de l'écran ou du viseur bascule très rapidement entre l'écran de prise de vue et un écran noir. Si vous continuez à regarder l'écran dans cette situation, vous pourriez ressentir des symptômes désagréables comme un malaise. Si vous ressentez des symptômes désagréables, arrêtez d'utiliser l'appareil photo et consultez un médecin si nécessaire.
- Lors de l'enregistrement ou de la diffusion en continu pendant de longues périodes ou de l'enregistrement de films 4K, si une partie de votre peau est en contact prolongé avec l'appareil pendant que vous l'utilisez, et même si l'appareil ne vous semble pas chaud, vous risquez de présenter des symptômes de brûlures superficielles à basse température (rougeurs, cloques). Faites particulièrement attention dans les situations suivantes, et utilisez un trépied ou un autre dispositif adéquat :
 - Si vous utilisez l'appareil dans un environnement à température élevée
 - Si vous souffrez de troubles circulatoires ou d'une perte de sensibilité cutanée
 - Si vous utilisez l'appareil avec [Tmp HORS tens. aut.] réglé sur [Élevé]

Accessoires/Objectifs Sony

L'utilisation de cet appareil avec des produits d'autres fabricants risque de nuire à ses performances, entraînant des accidents ou des dysfonctionnements.

Remarque sur la bande de 5 GHz pour le LAN sans fil

Lorsque vous utilisez la fonction LAN sans fil à l'extérieur, réglez la bande sur 2,4 GHz en procédant comme indiqué ci-dessous. (WW499972 uniquement)

- MENU →  (Réseau) → [Wi-Fi] → [Bande de fréq. Wi-Fi]

Comment désactiver provisoirement les fonctions réseau sans fil (Wi-Fi, etc.)

Lorsque vous montez à bord d'un avion ou autre, vous pouvez désactiver provisoirement toutes les fonctions réseau sans fil au moyen de [Mode avion].

Pour les clients aux États-Unis et au Canada

Cet équipement est conforme aux limites d'exposition aux rayonnements énoncées pour un environnement non contrôlé et respecte les règles des radioélectriques (RF) de la FCC lignes directrices d'exposition. Cet équipement émet une énergie RF très faible qui est considérée comme conforme sans évaluation du débit d'absorption spécifique (DAS). Les connaissances scientifiques dont nous disposons n'ont mis en évidence aucun problème de santé associé à l'usage des appareils sans fil à faible puissance. Nous ne sommes cependant pas en mesure de prouver que ces appareils sans fil à faible puissance sont entièrement sans danger. Les appareils sans fil à faible puissance émettent une énergie fréquence radioélectrique (RF) très faible dans le spectre des micro-ondes lorsqu'ils sont utilisés.

Alors qu'une dose élevée de RF peut avoir des effets sur la santé (en chauffant les tissus), l'exposition à de faibles RF qui ne produisent pas de chaleur n'a pas de mauvais effets connus sur la santé. De nombreuses études ont été menées sur les expositions aux RF faibles et n'ont découvert aucun effet biologique. Certaines études ont suggéré qu'il pouvait y avoir certains effets biologiques, mais ces résultats n'ont pas été confirmés par des recherches supplémentaires.

Cet équipement a été testé et jugé conforme aux limites d'exposition aux rayonnements ISDE énoncées pour un environnement non contrôlé et respecte les règles d'exposition aux fréquences radioélectriques (RF) CNR-102 de l'ISDE.

Pour les clients au Canada

La bande 5 150-5 350 MHz est restreinte à une utilisation à l'intérieur seulement.

Les radars de haute puissance sont désignés utilisateurs principaux (c.-à-d., qu'ils ont la priorité) pour les bandes 5 250-5 350 MHz et 5 650-5 850 MHz, et ces radars pourraient causer du brouillage et/ou des dommages aux dispositifs LAN-EL.

Pour les clients résidant en Europe

IEEE802.11 b/g/n	2 400 MHz	< 60 mW e.i.r.p.
IEEE802.11 a/n/ac	5 150 - 5 350 MHz 5 470 - 5 725 MHz	< 35 mW e.i.r.p.
IEEE802.11 a/n/ac	5 725 - 5 850 MHz	< 25 mW e.i.r.p.
Bluetooth	2 400 MHz	< 10 mW e.i.r.p.

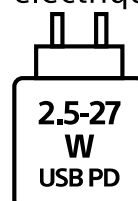
Le soussigné, Sony Corporation, déclare que cet équipement est conforme à la Directive 2014/53/UE. Le texte complet de la déclaration UE de conformité est disponible à l'adresse internet suivante : <https://www.compliance.sony.eu>

Pour cet équipement radio, les restrictions suivantes pour la mise en service ou pour les conditions requises d'utilisation s'appliquent en AT/BG/CY/CZ/DK/EE/FI/FR/DE/EL/HU/IE/IT/LV/LT/LU/MT/NL/PL/PT/RO/SK/SI/ES/SE/UK/UK(NI)/HR/IS/LI/NO/CH/AL/BA/MK/MD/RS/ME/XK/TR :

La bande 5 150 - 5 350 MHz est strictement destinée à l'utilisation en intérieur.

La puissance fournie par le chargeur doit être entre, au minimum, 2,5 Watts requis par l'équipement radioélectrique et, au maximum, 27 Watts pour atteindre la vitesse de chargement maximale.

Charge rapide par alimentation électrique par port USB



Spécifications

Appareil photo

[Système]

Type d'appareil photo :

Appareil photo à objectif interchangeable

Objectif : Objectif à monture E Sony

[Capteur d'image]

Format d'image :

35 mm plein format, capteur d'image CMOS

Nombre de pixels réels de l'appareil :

Environ 33 000 000 pixels

Nombre total de pixels de l'appareil :

Environ 34 100 000 pixels

[Généralités]

Tension d'entrée nominale :

7,2 V , 3,7 W

Température de fonctionnement :

0 à 40 °C (32 à 104 °F)

Température de stockage :

-20 à 55 °C (-4 à 131 °F)

Dimensions (L/H/P) (approx.) :

124,0 × 71,1 × 63,4 mm

124,0 × 71,1 × 58,6 mm

(de la poignée à l'écran)

5 × 2 7/8 × 2 1/2 po

5 × 2 7/8 × 2 3/8 po

(de la poignée à l'écran)

Poids (approx.) :

514 g (1 lb 2,2 oz) (batterie, carte SD comprises)

[Réseau local sans fil]

WW499972 (Voir plaque signalétique au bas de l'appareil photo)

Format pris en charge :

IEEE 802.11 a/b/g/n/ac

Bande de fréquence :

2,4 GHz/5 GHz

WW643958 (Voir plaque signalétique au bas de l'appareil photo)

Format pris en charge :

IEEE 802.11 b/g/n

Bande de fréquence :

2,4 GHz

Batterie rechargeable

NP-FZ100

Tension nominale : 7,2 V 

La conception et les spécifications peuvent être modifiées sans préavis.

Seulement pour la France



FR

Cet appareil et sa batterie se recyclent

À DÉPOSER EN MAGASIN



OU

À DÉPOSER EN DÉCHÈTERIE



Points de collecte sur www.quefairedemesdechets.fr
Privilégiez la réparation ou le don de votre appareil !

Modèles iPhone/iPad compatibles

iPhone 14 Pro Max, iPhone 14 Pro, iPhone 14 Plus, iPhone 14, iPhone SE (3e génération), iPhone 13 Pro Max, iPhone 13 Pro, iPhone 13, iPhone 13 mini, iPhone 12 Pro Max, iPhone 12 Pro, iPhone 12, iPhone 12 mini, iPhone SE (2e génération), iPhone 11 Pro Max, iPhone 11 Pro, iPhone 11, iPhone XS Max, iPhone XS, iPhone XR, iPhone X, iPhone 8 Plus, iPhone 8, iPhone 7 Plus, iPhone 7, iPhone SE, iPhone 6s Plus, iPhone 6s, iPad Air (3e, 4e et 5e génération), iPad (5e à 10e génération), iPad mini (6e génération), iPad Pro 12,9 pouces (1re à 6e génération), iPad Pro 11 pouces (1re à 4e génération), iPad Pro 10,5 pouces, iPad Pro 9,7 pouces, iPad Air 2, iPad mini (5e génération), iPad mini 4 (En date de mai 2023)

Marques commerciales/ Licences

- **α** est une marque commerciale de Sony Group Corporation.
- Apple, iPhone et iPad sont des marques commerciales d'Apple Inc., déposées aux États-Unis et dans d'autres pays.
- USB Type-C® et USB-C® sont des marques déposées de USB Implementers Forum.
- Wi-Fi, le logo Wi-Fi et Wi-Fi Protected Setup sont des marques commerciales ou des marques déposées de Wi-Fi Alliance.
- La marque verbale Bluetooth® et les logos sont des marques déposées détenues par Bluetooth SIG, Inc., et Sony Group Corporation et ses filiales les utilisent sous licence.
- QR Code est une marque commerciale de Denso Wave Inc.

- En outre, les noms de système et de produit utilisés dans ce manuel sont généralement des marques commerciales ou des marques déposées de leurs créateurs ou fabricants respectifs. Cependant, les symboles ™ ou ® ne sont pas systématiquement utilisés dans ce manuel.

IMPORTANT – Lisez le contrat de licence logiciel utilisateur final avant d'utiliser votre produit Sony.

Le fait d'utiliser votre produit implique votre acceptation du contrat de licence logiciel utilisateur final. Le contrat de licence logiciel entre vous et Sony est disponible à l'adresse URL suivante :

(https://rd1.sony.net/help/di/el23/h_zz/)

FR

- L'utilisation du badge Made for Apple signifie qu'un accessoire a été conçu pour être raccordé spécifiquement au produit ou aux produits Apple identifiés dans le badge, et a été certifié par le constructeur pour satisfaire les normes de performance d'Apple. Apple n'est pas responsable du fonctionnement de cet appareil ni de sa conformité avec les consignes et normes de sécurité.

Made for

 iPhone | iPad

Des informations complémentaires sur ce produit et des réponses à des questions fréquemment posées sont disponibles sur notre site Web d'assistance client.

<https://www.sony.net/>

FR
11

Über die „Hilfe“



Ausführliche Anweisungen zur Benutzung der Kamera finden Sie in der „Hilfe“ (Web-Handbuch).
https://rd1.sony.net/help/ilc/2360/h_zz/

ILCE-7CM2 Hilfe



Vorbereitungen

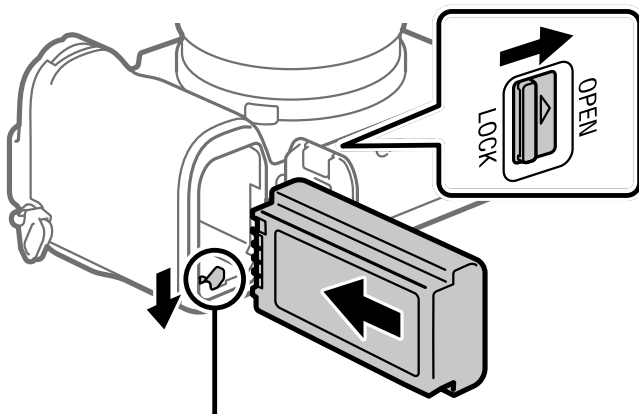
Überprüfen des mitgelieferten Zubehörs

Die Zahl in Klammern gibt die Stückzahl an.

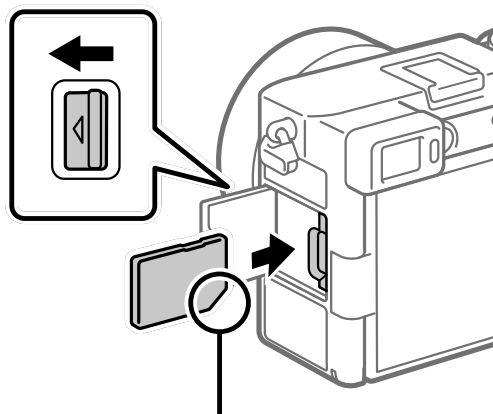
- Kamera (1)
- Akku NP-FZ100 (1)
- Schulterriemen (1)
- Gehäusekappe (1) (an der Kamera angebracht)
- Schuhkappe (1) (an der Kamera angebracht)
- Einführungsanleitung (diese Anleitung) (1)
- Referenzanleitung (1)

Einsetzen des Akkus (mitgeliefert)/der Speicherkarte (getrennt erhältlich) in die Kamera

Öffnen Sie den Akkudeckel und die Speicherkartenabdeckung, setzen Sie den Akku/die Speicherkarte ein, und schließen Sie die Abdeckungen.



Legen Sie den Akku ein, während Sie den Verriegelungshebel drücken.



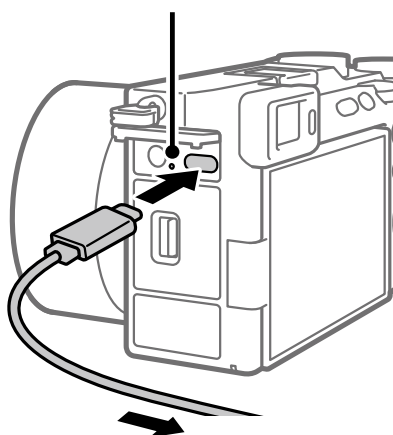
Auf korrekte Ausrichtung der abgeschnittenen Ecke achten.

Diese Kamera ist mit SD-Speicherkarten kompatibel. Wenn Sie eine Speicherkarte zum ersten Mal mit dieser Kamera verwenden, formatieren Sie die Karte mit der Kamera, um die Leistung der Speicherkarte zu stabilisieren.

DE

Laden des Akkus

Ladekontrollleuchte



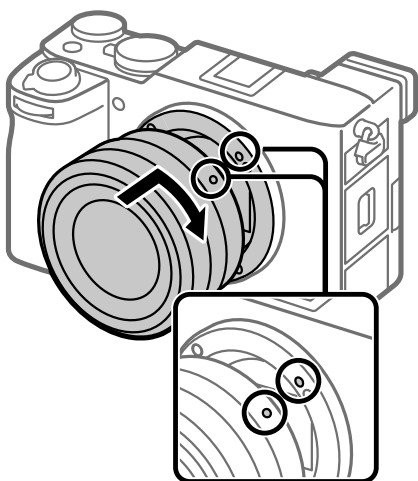
An eine externe Stromquelle

- 1 Schalten Sie die Stromversorgung aus.**
 - Falls die Kamera eingeschaltet ist, wird der Akku nicht geladen.
- 2 Verbinden Sie den USB Type-C-Anschluss an der Kamera über ein im Handel erhältliches USB Type-C-Kabel mit einer externen Stromquelle, wie z. B. einem handelsüblichen USB-Netzteil oder einer mobilen Batterie.**
 - Die Ladekontrollleuchte leuchtet auf, wenn der Ladevorgang beginnt. Wenn die Ladekontrollleuchte erlischt, ist der Ladevorgang beendet.

DE
3

Diese Kamera ist mit USB-PD (USB Power Delivery) kompatibel. Wenn ein mit USB-PD kompatibles Gerät an die Kamera angeschlossen wird, ist schnelles Laden möglich. Wir empfehlen die Verwendung eines USB-PD-Gerätes, das mit einer Leistung von 9 V/3 A oder 9 V/2 A kompatibel ist.

Anbringen eines Objektivs



Ansetzindexe

- 1 Montieren Sie das Objektiv, indem Sie die beiden weißen Ansetzmarkierungen (Ansetzindexe) an Objektiv und Kamera aufeinander ausrichten.**
- 2 Drücken Sie das Objektiv leicht in Richtung der Kamera und drehen Sie es langsam in Pfeilrichtung, bis es mit einem Klicken einrastet.**

Durchführung der Ersteinrichtung der Kamera

Wenn Sie eine Bluetooth-Verbindung (Pairing) zwischen der Kamera und einem Smartphone herstellen, können Sie die Ersteinrichtung der Kamera, wie z. B. die Einstellungen von Datum und Uhrzeit, vom Smartphone aus durchführen. Installieren Sie die entsprechende Anwendung vorab auf Ihrem Smartphone, und folgen Sie dann den Schritten **1** bis **4** unter „Verfahren für die Ersteinrichtung der Kamera“.

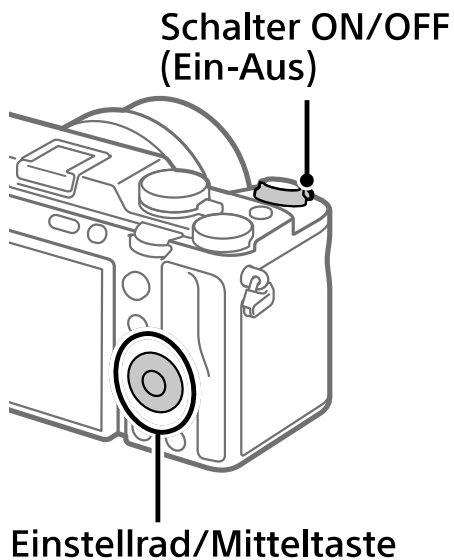
■ Installieren der speziellen Smartphone-Anwendung



Installieren Sie die Anwendung von der folgenden Webseite. Nehmen Sie außerdem ein Update auf die neueste Version der speziellen Anwendung vor. Die Spezifikationen der speziellen Anwendung können sich ohne vorherige Ankündigung ändern.

<https://www.sony.net/ca/>

Verfahren für die Ersteinrichtung der Kamera



- 1 Stellen Sie den Schalter ON/OFF (Ein-Aus) auf „ON“, um die Kamera einzuschalten.
- 2 Wählen Sie die gewünschte Sprache aus, und drücken Sie dann die Mitte des Einstellrads.
 - Der Bildschirm mit dem Datenschutzhinweis erscheint. Lesen Sie den Datenschutzhinweis zu biometrischen Daten, indem Sie den Link mit Ihrem Smartphone usw. öffnen.
- 3 Drücken Sie die Mitte des Einstellrads.
- 4 Folgen Sie den Anweisungen auf dem Kamerabildschirm, um die Kamera mit Ihrem Smartphone zu verbinden und die Ersteinrichtung durchzuführen.
 - Sie können die Anfangseinstellungen auch später über das Menü MENU der Kamera konfigurieren oder ändern.

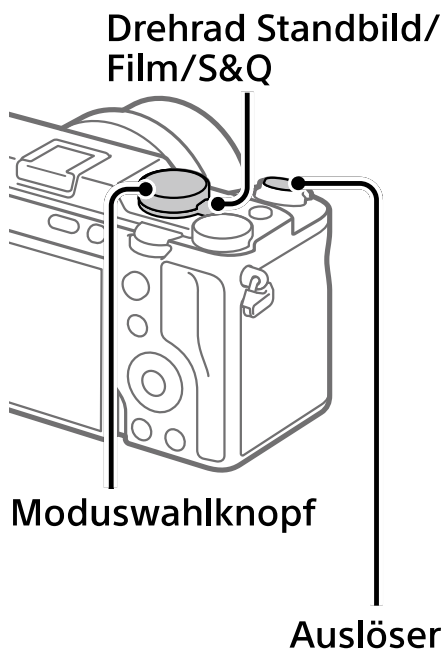
DE


Spätere Kopplung der Kamera mit Ihrem Smartphone (Smartph.Verbindung)



Einzelheiten zur Verbindungsmethode finden Sie unter der folgenden Hilfe-URL:
https://rd1.sony.net/help/ilc/2360_pairing/h_zz/

Standbildaufnahme



- 1 Stellen Sie das Drehrad Standbild/
Film/S&Q auf  (Standbild).
- 2 Wählen Sie den gewünschten
Aufnahmemodus durch Drehen des
Moduswahlknopfes.
- 3 Drücken Sie den Auslöser halb
nieder, um zu fokussieren.
- 4 Drücken Sie den Auslöser ganz
durch.

Benutzungshinweise

Nehmen Sie auch auf „Vorsichtsmaßnahmen“ in der „Hilfe“ Bezug.

Hinweise zur Handhabung des Produkts

- Lassen Sie das Objektiv oder den Sucher nicht einer starken Lichtquelle, wie z. B. Sonnenlicht, ausgesetzt. Aufgrund der Kondensationsfunktion des Objektivs kann dadurch Rauch, ein Brand oder eine Funktionsstörung im Kameragehäuse oder im Objektiv verursacht werden. Wenn Sie die Kamera einer Lichtquelle, wie z. B. Sonnenlicht, ausgesetzt lassen müssen, bringen Sie die Objektivkappe am Objektiv an.
- Falls Sonnenlicht oder Licht von anderen starken Lichtquellen durch das Objektiv in die Kamera eindringt, kann es in der Kamera gebündelt werden und Rauch oder einen Brand verursachen. Bringen Sie die Objektivkappe an, wenn Sie die Kamera aufbewahren. Wenn Sie bei Gegenlicht aufnehmen, halten Sie die Sonne in ausreichendem Abstand vom Bildwinkel. Selbst bei geringer Abweichung vom Bildwinkel können Rauch oder Brand entstehen.
- Blicken Sie nicht durch das abgenommene Objektiv auf die Sonne oder eine starke Lichtquelle. Dies kann zu irreparabler Schädigung der Augen führen oder eine Funktionsstörung verursachen.
- Diese Kamera (einschließlich der Zubehörteile) enthält einen oder mehrere Magnete, die Herzschrittmacher, programmierbare Shunt-Ventile für die Behandlung von Hydrozephalus oder andere medizinische Geräte beeinträchtigen können. Stellen Sie diese Kamera nicht in der Nähe von Personen auf, die solche medizinischen Geräte verwenden. Konsultieren Sie Ihren Arzt vor der Benutzung dieser Kamera, falls Sie ein solches medizinisches Gerät verwenden.
- Erhöhen Sie die Lautstärke allmählich. Plötzliche laute Geräusche können Ihre Ohren beschädigen. Lassen Sie besonders beim Hören mit Kopfhörern Vorsicht walten.
- Lassen Sie die Kamera, das mitgelieferte Zubehör oder Speicherkarten nicht in Reichweite von Kleinkindern liegen. Solche Teile können versehentlich verschluckt werden. Falls dies eintritt, konsultieren Sie sofort einen Arzt.
- Wenn Sie den Sucher zum Aufnehmen benutzen, können sich möglicherweise solche Symptome wie Überanstrengung der Augen, Ermüdung, Reisekrankheit oder Übelkeit bemerkbar machen. Wir empfehlen Ihnen, beim Aufnehmen mit dem Sucher Pausen in regelmäßigen Abständen einzulegen.
- Falls der Monitor oder der elektronische Sucher beschädigt ist, brechen Sie unverzüglich den Gebrauch der Kamera ab. Die beschädigten Teile können Ihre Hände, Ihr Gesicht usw. verletzen.

DE


- Bei Serienaufnahmen kann es vorkommen, dass der Monitor oder Sucher schnell zwischen dem Aufnahmebildschirm und einem schwarzen Bildschirm hin und her schaltet. Wenn Sie den Bildschirm in dieser Situation fortlaufend betrachten, können Sie Missbehagen, wie z. B. Unwohlsein, wahrnehmen. Wenn Sie Missbehagen wahrnehmen, benutzen Sie die Kamera nicht weiter, und konsultieren Sie bei Bedarf Ihren Arzt.
- Falls beim Aufzeichnen oder Streamen über einen längeren Zeitraum oder beim Aufzeichnen von 4K-Filmen dieselbe Hautpartie die Kamera über einen längeren Zeitraum berührt, selbst wenn sich die Kamera für Sie nicht heiß anfühlt, kann es zu Symptomen einer Niedertemperatur-Verbrennung wie Rötung oder Blasenbildung kommen. Verwenden Sie in den folgenden Situationen besondere Aufmerksamkeit, und benutzen Sie ein Stativ usw.
 - Wenn die Kamera in einer heißen Umgebung benutzt wird
 - Wenn eine Person mit Kreislaufschwäche oder beeinträchtigtem Hautgefühl die Kamera benutzt
 - Wenn die Kamera bei Einstellung von [Autom. AUS Temp.] auf [Hoch] benutzt wird

Sony-Objektive/Zubehörteile

Verwendung dieses Geräts mit Produkten anderer Hersteller kann seine Leistung beeinträchtigen, was zu Unfällen oder Fehlfunktionen führen kann.

Hinweis zum 5-GHz-Band für WLAN

Wenn Sie die WLAN-Funktion im Freien benutzen, stellen Sie das Frequenzband nach dem folgenden Verfahren auf 2,4 GHz ein.

- MENU →  (Netzwerk) → [Wi-Fi] → [Wi-Fi-Frequenzband]

So schalten Sie Drahtlos-Netzwerkfunktionen (Wi-Fi usw.) vorübergehend aus

Wenn Sie in ein Flugzeug usw. einsteigen, können Sie alle Drahtlos-Netzwerkfunktionen mittels [Flugzeug-Modus] vorübergehend ausschalten.

Für Kunden in Europa

IEEE802.11 b/g/n	2 400 MHz	< 60 mW e.i.r.p.
IEEE802.11 a/n/ac	5 150 - 5 350 MHz 5 470 - 5 725 MHz	< 35 mW e.i.r.p.
IEEE802.11 a/n/ac	5 725 - 5 850 MHz	< 25 mW e.i.r.p.
Bluetooth	2 400 MHz	< 10 mW e.i.r.p.

Hiermit erklärt Sony Corporation, dass diese Funkanlage der Richtlinie 2014/53/EU entspricht. Der vollständige Text der EU-Konformitätserklärung ist unter der folgenden Internetadresse verfügbar: <https://www.compliance.sony.eu>

Für diese Funkeinrichtung gelten in AT/BE/BG/CY/CZ/DK/EE/FI/FR/DE/EL/HU/IE/IT/LV/LT/LU/MT/NL/PL/PT/RO/SK/SI/ES/SE/UK/UK(NI)/HR/IS/LI/NO/CH/AL/BA/MK/MD/RS/ME/XK/TR für die Inbetriebnahme und Nutzungsbewilligung die folgenden Einschränkungen:

Der Frequenzbereich von 5 150 bis 5 350 MHz darf nur in Innenräumen benutzt werden.

Die Leistung des Ladegeräts muss von einer von der Funkanlage benötigten Mindestleistung von 2,5 Watt bis zu einer zum Erreichen der maximalen Ladegeschwindigkeit benötigten Höchstleistung von 27 Watt reichen. Schnellladefähig über USB-PD



Technische Daten

Kamera

[System]

Kameratyp:

Digitalkamera mit Wechselobjektiv

Objektiv: Sony E-Bajonett-Objektiv

[Bildsensor]

Bildformat:

35-mm-Vollbild,
CMOS-Bildsensor

Effektive Pixelanzahl der Kamera:
Ca. 33 000 000 Pixel

Gesamte Pixelanzahl der Kamera:
Ca. 34 100 000 Pixel

[Allgemeines]

Nenneingangsleistung:
7,2 V $\overline{---}$, 3,7 W

Betriebstemperatur:
0 bis 40 °C

Lagertemperatur:
-20 bis 55 °C

Abmessungen (B / H / T) (ca.):
124,0 × 71,1 × 63,4 mm
124,0 × 71,1 × 58,6 mm
(vom Griff zum Monitor)

Gewicht (ca.):
514 g (inklusive Akku, SD-Karte)

[Drahtloses LAN]

WW499972

Unterstütztes Format:
IEEE 802.11 a/b/g/n/ac

Frequenzband: 2,4 GHz/5 GHz

Akku NP-FZ100

Nennspannung: 7,2 V $\overline{---}$

Änderungen, die dem technischen Fortschritt dienen, bleiben vorbehalten.

DE

Kompatible iPhone/iPad-Modelle

iPhone 14 Pro Max, iPhone 14 Pro, iPhone 14 Plus, iPhone 14, iPhone SE (3. Generation), iPhone 13 Pro Max, iPhone 13 Pro, iPhone 13, iPhone 13 mini, iPhone 12 Pro Max, iPhone 12 Pro, iPhone 12, iPhone 12 mini, iPhone SE (2. Generation), iPhone 11 Pro Max, iPhone 11 Pro, iPhone 11, iPhone XS Max, iPhone XS, iPhone XR, iPhone X, iPhone 8 Plus, iPhone 8, iPhone 7 Plus, iPhone 7, iPhone SE, iPhone 6s Plus, iPhone 6s, iPad Air (3., 4. und 5. Generation), iPad (5. bis 10. Generation), iPad mini (6. Generation), iPad Pro 12,9-Zoll (1. bis 6. Generation), iPad Pro 11-Zoll (1. bis 4. Generation), iPad Pro 10,5-Zoll, iPad Pro 9,7-Zoll, iPad Air 2, iPad mini (5. Generation), iPad mini 4 (Stand: Mai 2023)

Markenzeichen/Lizenzen

- **α** ist ein Markenzeichen der Sony Group Corporation.
- Apple, iPhone und iPad sind Markenzeichen von Apple Inc., die in den USA und anderen Ländern registriert sind.
- USB Type-C® und USB-C® sind eingetragene Markenzeichen von USB Implementers Forum.
- Wi-Fi, das Wi-Fi-Logo und Wi-Fi Protected Setup sind eingetragene Markenzeichen bzw. Markenzeichen der Wi-Fi Alliance.
- Die Wortmarke Bluetooth® und die Logos sind eingetragene Marken im Besitz der Firma Bluetooth SIG, Inc. und jede Verwendung dieser Marken durch die Firma Sony Group Corporation und ihre Tochtergesellschaften erfolgt unter Lizenz.

- QR Code ist ein Markenzeichen der Denso Wave Inc.
- Außerdem sind die in dieser Anleitung verwendeten System- und Produktbezeichnungen im Allgemeinen Markenzeichen oder eingetragene Markenzeichen ihrer jeweiligen Entwickler oder Hersteller. Die Zeichen [™] oder [®] werden jedoch nicht in allen Fällen in dieser Anleitung verwendet.

WICHTIG – Lesen Sie den Endbenutzer-Softwarelizenzvertrag, bevor Sie das Sony-Produkt verwenden.

Die Verwendung unseres Produkts zeigt, dass Sie den Endbenutzer-Softwarelizenzvertrag akzeptieren. Der Endbenutzer-Softwarelizenzvertrag zwischen Ihnen und Sony ist unter der folgenden URL verfügbar: (https://rd1.sony.net/help/di/el23/h_zz/)

- Die Verwendung des „Made for Apple“-Markenemblems bedeutet, dass ein Zubehör speziell für den Anschluss an das(die) Apple-Produkt(e) entwickelt wurde, die im Markenemblem bezeichnet sind, und vom Entwickler für die Erfüllung der Apple-Leistungsstandards zertifiziert wurde. Apple übernimmt keine Verantwortung für den Betrieb dieses Geräts oder dessen Einhaltung von Sicherheits- und gesetzlichen Standards.

Made for

 iPhone | iPad

Zusätzliche Informationen zu diesem Produkt und Antworten zu häufig gestellten Fragen können Sie auf unserer Kundendienst-Website finden.

<https://www.sony.net/>

Acerca de la "Guía de ayuda"



Para obtener instrucciones detalladas sobre el uso de la cámara, consulte la "Guía de ayuda" (manual en la web).

https://rd1.sony.net/help/ilc/2360/h_zz/

ILCE-7CM2 Guía de ayuda



Preparativos

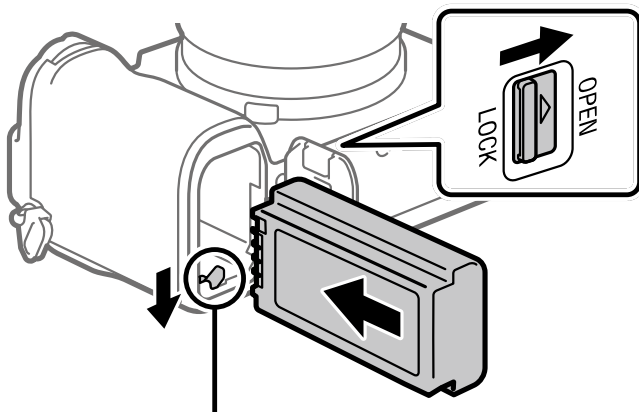
Comprobación de los elementos suministrados

El número entre paréntesis indica el número de piezas.

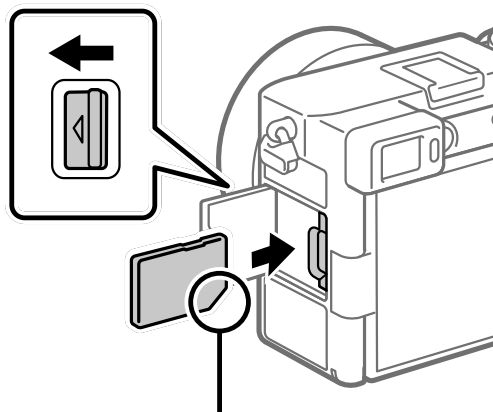
- Cámara (1)
- Batería recargable NP-FZ100 (1)
- Correa de bandolera (1)
- Tapa de caja (1) (colocada en la cámara)
- Tapa de zapata (1) (colocada en la cámara)
- Guía de inicio (este manual) (1)
- Guía de referencia (1)

Inserción de la batería (suministrado)/tarjeta de memoria (se vende por separado) en la cámara

Abra la cubierta de la batería y de la tarjeta de memoria, inserte la batería/tarjeta de memoria y cierre las cubiertas.



Inserte la batería mientras presiona la palanca de bloqueo.

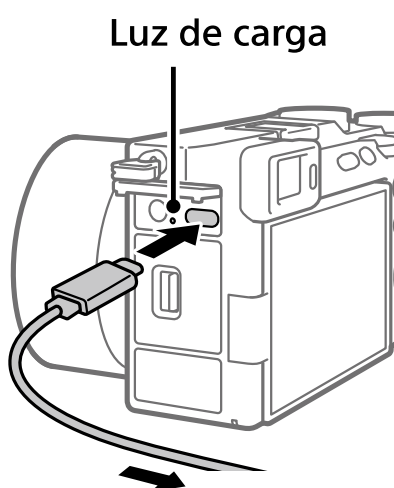


Asegúrese de que la esquina cortada está orientada correctamente.

Esta cámara es compatible con tarjetas de memoria SD. Cuando utilice una tarjeta de memoria con esta cámara por primera vez, formatee la tarjeta utilizando la cámara para así estabilizar el rendimiento de la tarjeta de memoria.

ES

Carga de la batería



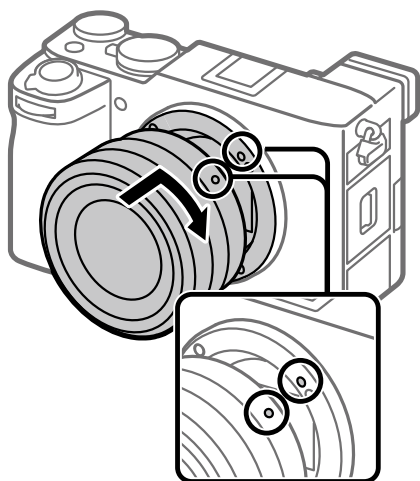
A una fuente de alimentación externa

- 1 Desconecte la alimentación.**
 - Si la cámara está encendida, la batería no se cargará.
- 2 Con un cable USB Type-C, disponible en el mercado, conecte el terminal USB Type-C de la cámara a una fuente de alimentación externa, tal como un adaptador de ca USB o una batería móvil, ambos disponibles en el mercado.**
 - La luz de carga se iluminará cuando comience la carga. Cuando la luz de carga se apague, la carga se habrá completado.

ES
3

Esta cámara es compatible con USB-PD (USB Power Delivery). Cuando hay un dispositivo compatible con USB-PD conectado a la cámara, se puede cargar rápidamente. Se recomienda utilizar un dispositivo USB-PD compatible con una salida de 9 V/3 A o 9 V/2 A

Colocación de un objetivo



Índices de montura

- 1 Monte el objetivo alineando las dos marcas de índice blancas (índices de montura) del objetivo y la cámara.**
- 2 Mientras empuja el objetivo ligeramente hacia la cámara, gírelo despacio en la dirección de la flecha hasta que produzca un chasquido en posición bloqueada.**

Configuración inicial de la cámara

Si establece una conexión Bluetooth (emparejamiento) entre la cámara y un smartphone, puede realizar la configuración inicial de la cámara, como aplicar los ajustes de fecha y hora del smartphone. Instale la aplicación dedicada en su smartphone de antemano y, a continuación, siga los pasos **1** a **4** que encontrará en "Procedimientos para la configuración inicial de la cámara".

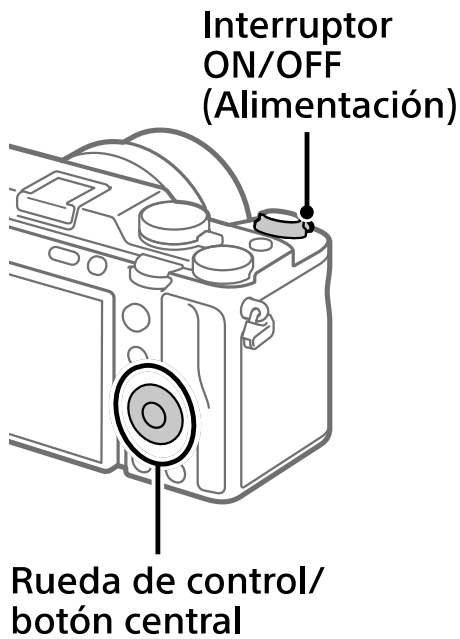
Instalación de la aplicación para smartphone dedicada



Instale la aplicación de la página web siguiente. Además, actualice la aplicación dedicada a la versión más reciente. Las especificaciones de la aplicación dedicada pueden variar sin previo aviso.

<https://www.sony.net/ca/>

■ Procedimientos para la configuración inicial de la cámara



- ➊ **Ajuste el interruptor ON/OFF (Alimentación) en "ON" para encender la cámara.**
- ➋ **Seleccione el idioma deseado y después pulse el centro de la rueda de control.**
 - Aparecerá una pantalla con un aviso de privacidad. Lea el aviso de privacidad relativo a la biométrica abriendo el enlace con su smartphone, etc.
- ➌ **Pulse el centro de la rueda de control.**
- ➍ **Siga las instrucciones en la pantalla de la cámara para conectar la cámara con el smartphone y realizar la configuración inicial.**
 - También puede configurar o cambiar la configuración inicial que haga ahora más adelante desde el MENU de la cámara.


■ Emparejamiento de la cámara con el smartphone más adelante (Conex. smartphone)



Para ver detalles sobre el método de conexión, consulte la siguiente URL de la Guía de ayuda:
https://rd1.sony.net/help/ilc/2360_pairing/h_zz/

Toma de imágenes fijas



- 1** Gire y ajuste el dial Imagen/ Película/S&Q en  (Imagen).
- 2** Seleccione el modo de toma deseado girando el dial de modo.
- 3** Pulse el botón disparador hasta la mitad para enfocar.
- 4** Pulse el botón disparador hasta el fondo.

Notas sobre la utilización

Nombre del producto: Cámara Digital
Modelo: ILCE-7CM2

Consulte también “Precauciones” en la “Guía de ayuda”.

Notas sobre el manejo del producto

- No deje el objetivo o el visor expuesto a una fuente de luz fuerte tal como la luz solar. Debido a la función de condensación del objetivo, si lo hace podrá ocasionar humo, fuego, o un mal funcionamiento dentro del cuerpo de la cámara o el objetivo. Si tiene que dejar la cámara expuesta a una fuente de luz tal como la luz solar, coloque la tapa del objetivo en el objetivo.
- Si la luz del sol u otra luz intensa penetra en la cámara a través del objetivo, podría concentrarse en el interior de la cámara y causar fuego o humo. Ponga la tapa del objetivo al guardar la cámara. Cuando tome imágenes con iluminación de fondo, mantenga el sol suficientemente alejado del ángulo de visión. Aunque el sol o la luz estén ligeramente alejados del ángulo de visión, es posible que todavía se produzca humo o fuego.
- No mire a la luz solar o a una fuente de luz fuerte a través del objetivo cuando este esté desmontado. Esto podría resultar en daños irreparables a los ojos u ocasionar un mal funcionamiento.
- Esta cámara (incluyendo los accesorios) tiene un imán (o imanes) que puede interferir con marcapasos, válvulas de derivación programables para el tratamiento de la hidrocefalia, o con otros aparatos médicos. No ponga la cámara cerca de personas que utilicen dichos aparatos médicos. Consulte con su médico antes de utilizar esta cámara si utiliza cualquiera de dichos aparatos médicos.
- Aumente el volumen gradualmente. Los ruidos altos repentinos pueden dañar los oídos. Preste especial atención al escuchar por auriculares.
- No deje la cámara, los accesorios suministrados, o las tarjetas de memoria al alcance de niños pequeños. Podrían ser tragados accidentalmente. Si ocurre esto, consulte a un médico inmediatamente.
- Cuando tome imágenes con el visor, es posible que sienta síntomas como cansancio de la vista, fatiga, mareo por movimiento, o náusea. Se recomienda descansar a intervalos regulares cuando esté tomando imágenes con el visor.
- Si el monitor o el visor electrónico está dañado, deje de utilizar la cámara inmediatamente. Las partes dañadas pueden causarle daño en las manos, la cara, etc.
- Cuando realice una toma continua de imágenes, el monitor o el visor podrían alternar rápidamente entre la pantalla de toma de imagen y una pantalla negra. Si continúa observando la pantalla en esta situación, puede que note síntomas incómodos tal como una sensación de no encontrarse bien. Si nota síntomas incómodos, deje de utilizar la cámara, y consulte a su médico según sea necesario.

ES

ES
7


- Cuando realice grabaciones o transmisiones en directo durante largos periodos de tiempo, o bien realice grabaciones de películas 4K, si la misma parte de su piel toca la cámara durante un largo periodo de tiempo (aunque no sienta que la cámara está caliente), podrán producirse síntomas de una quemadura de baja temperatura tal como coloración roja o ampollas. Preste atención especial en las situaciones siguientes si utiliza un trípode, etc.
 - Cuando utilice la cámara en un entorno de alta temperatura
 - Cuando alguien con mala circulación de sangre o sensación de deterioro de la piel utilice la cámara
 - Cuando utilice la cámara con [Temp. APAGA auto] ajustado en [Alto]

Objetivos/accesorios de Sony

El uso de esta unidad con productos de otros fabricantes puede afectar a su rendimiento, provocando accidentes o mal funcionamiento.

Nota sobre la banda de 5 GHz para LAN inalámbrica

Cuando utilice la función LAN inalámbrica en exteriores, ajuste la banda a 2,4 GHz siguiendo el procedimiento de abajo.

- MENU →  (Red) → [Wi-Fi] → [Banda de frec. Wi-Fi]

Cómo desactivar las funciones de red inalámbrica (Wi-Fi, etc.) temporalmente

Cuando embarque en un avión, etc., puede desactivar todas las funciones de red inalámbrica temporalmente utilizando [Modo avión].

Para los clientes de Europa

IEEE802.11 b/g/n	2 400 MHz	< 60 mW e.i.r.p.
IEEE802.11 a/n/ac	5 150 - 5 350 MHz 5 470 - 5 725 MHz	< 35 mW e.i.r.p.
IEEE802.11 a/n/ac	5 725 - 5 850 MHz	< 25 mW e.i.r.p.
Bluetooth	2 400 MHz	< 10 mW e.i.r.p.

Por la presente, Sony Corporation declara que este equipo es conforme con la Directiva 2014/53/UE. El texto completo de la declaración UE de conformidad está disponible en la dirección Internet siguiente: <https://www.compliance.sony.eu>

Con respecto a este equipo de radio se aplican las siguientes restricciones sobre la puesta en servicio o sobre los requisitos necesarios para autorizar su uso en AT/BE/BG/CY/CZ/DK/EE/FI/FR/DE/EL/HU/IE/IT/LV/LT/LU/MT/NL/PL/PT/RO/SK/SI/ES/SE/UK/UK(NI)/HR/IS/LI/NO/CH/AL/BA/MK/MD/RS/ME/XK/TR:

la banda de 5 150 MHz a 5 350 MHz se ha restringido para realizar solamente operaciones en interiores.

La potencia suministrada por el cargador debe ser de entre un mínimo de 2,5 vatios requeridos por el equipo radioeléctrico y un máximo de 27 vatios a fin de alcanzar la máxima velocidad de carga. Carga rápida mediante USB PD



AVISO IMPORTANTE PARA MÉXICO

La operación de este equipo está sujeta a las siguientes dos condiciones: (1) es posible que este equipo o dispositivo no cause interferencia perjudicial y (2) este equipo o dispositivo debe aceptar cualquier interferencia, incluyendo la que pueda causar su operación no deseada.


Para consultar la información relacionada al número del certificado, refiérase a la etiqueta del empaque y/o del producto.

Nota: Información de dispositivo para funcionalidades inalámbricas:
Modelo: Type1DR Marca: Murata

Para clientes que han adquirido su cámara en un establecimiento en Japón que surte a turistas

Nota

Algunas marcas de certificación de las normas admitidas por la cámara se pueden confirmar en la pantalla de la cámara.

Seleccione MENU →  (Ajustes) → [Opción ajustes] → [Logotip. certificación].

Especificaciones

Cámara

[Sistema]

Tipo de cámara:

Cámara Digital de Lentes Intercambiables

Objetivo: Objetivo de montura E de Sony

[Sensor de imagen]

Formato de imagen:

Fotograma completo de 35 mm sensor de imagen CMOS


Número efectivo de píxeles de la cámara:

Aprox. 33 000 000 píxeles

Número total de píxeles de la cámara:

Aprox. 34 100 000 píxeles

[General]

Entrada nominal: 7,2 V  3,7 W

Temperatura de funcionamiento: 0 a 40 °C

Temperatura de almacenamiento: -20 a 55 °C

Dimensiones (An/Al/Pr) (aprox.):

124,0 × 71,1 × 63,4 mm

124,0 × 71,1 × 58,6 mm

(desde la empuñadura al monitor)

Peso (aprox.):

514 g (incluyendo la batería y la tarjeta SD)

[LAN inalámbrica]

WW499972

Formato admitido:

IEEE 802.11 a/b/g/n/ac

Banda de frecuencia:

2,4 GHz/5 GHz

ES

Batería recargable NP-FZ100

Tensión nominal: 7,2 V 

El diseño y las especificaciones están sujetos a cambio sin previo aviso.

Modelos compatibles con iPhone/iPad

iPhone 14 Pro Max, iPhone 14 Pro, iPhone 14 Plus, iPhone 14, iPhone SE (3.ª generación), iPhone 13 Pro Max, iPhone 13 Pro, iPhone 13, iPhone 13 mini, iPhone 12 Pro Max, iPhone 12 Pro, iPhone 12, iPhone 12 mini, iPhone SE (2.ª generación), iPhone 11 Pro Max, iPhone 11 Pro, iPhone 11, iPhone XS Max, iPhone XS, iPhone XR, iPhone X, iPhone 8 Plus, iPhone 8, iPhone 7 Plus, iPhone 7, iPhone SE, iPhone 6s Plus, iPhone 6s, iPad Air (3.ª, 4.ª y 5.ª generación), iPad (de 5.ª a 10.ª generación), iPad mini (6.ª generación), iPad Pro de 12,9 pulgadas (de 1.ª a 6.ª generación), iPad Pro de 11 pulgadas (de 1.ª a 4.ª generación), iPad Pro de 10,5 pulgadas, iPad Pro de 9,7 pulgadas, iPad Air 2, iPad mini (5.ª generación), iPad mini 4 (Desde mayo de 2023)

Marcas comerciales/ licencias

- **α** es una marca comercial de Sony Group Corporation.
- Apple, iPhone y iPad son marcas comerciales de Apple Inc., registradas en Estados Unidos y otros países.
- USB Type-C® y USB-C® son marcas comerciales registradas de USB Implementers Forum.
- Wi-Fi, el logotipo de Wi-Fi y Wi-Fi Protected Setup son marcas comerciales registradas o marcas comerciales de Wi-Fi Alliance.
- La marca denominativa Bluetooth® y sus logotipos son marcas comerciales registradas propiedad de Bluetooth SIG, Inc.; cualquier uso de tales marcas por parte de Sony Group Corporation y sus subsidiarias se hace bajo licencia.
- QR Code es una marca comercial de Denso Wave Inc.
- Además, los nombres de sistemas y productos utilizados en este manual son, en general, marcas comerciales o marcas comerciales registradas de sus respectivos desarrolladores o fabricantes. Sin embargo, las marcas ™ o ® podrán no haber sido utilizadas en todos los casos en este manual.

IMPORTANTE - Lea el Contrato de licencia de software para el usuario final antes de usar su producto Sony.

El uso de su producto indica su aceptación del Contrato de licencia de software para el usuario final. El contrato de licencia del software entre el usuario y Sony está disponible en la siguiente URL: (https://rd1.sony.net/help/di/el23/h_zz/)

- El uso de la insignia Made for Apple significa que un accesorio ha sido diseñado para conectarse específicamente al producto o a los productos Apple identificados en la insignia, y ha sido certificado por el fabricante de que cumple las normas de rendimiento de Apple. Apple no se hace responsable por el funcionamiento de este dispositivo o su cumplimiento con normas de seguridad y regulatorias.



En nuestra página web de atención al cliente se puede encontrar información adicional sobre este producto y obtener respuestas a las preguntas más frecuentes.

<https://www.sony.net/>

Informazioni sulla "Guida"



Per informazioni dettagliate sull'utilizzo della fotocamera, consultare la "Guida" (manuale online).

https://rd1.sony.net/help/ilc/2360/h_zz/

ILCE-7CM2 Guida



Preparazioni

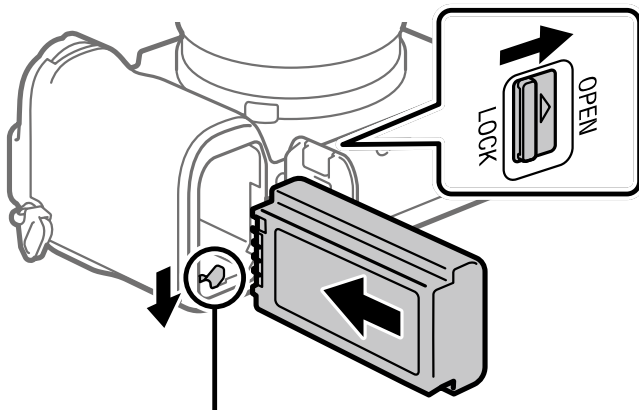
Verifica dei componenti in dotazione

Il numero fra parentesi indica il numero dei pezzi.

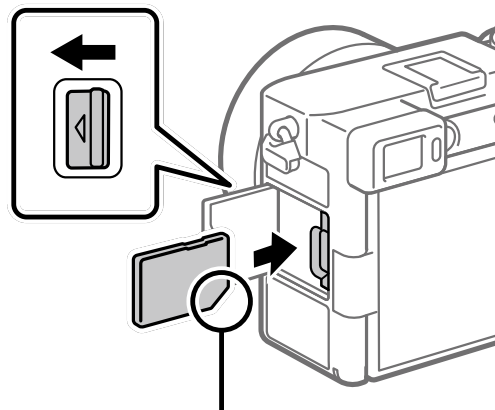
- Fotocamera (1)
- Pacco Batteria Ricaricabile NP-FZ100 (1)
- Tracolla (1)
- Cappuccio per Corpo Macchina (1) (montato sulla fotocamera)
- Cappuccio per slitta (1) (montato sulla fotocamera)
- Guida di avvio (il presente manuale) (1)
- Guida di riferimento (1)

Inserimento del pacco batteria (in dotazione)/della scheda di memoria (in vendita separatamente) nella fotocamera

Aprire il coperchio della batteria e il coperchio della scheda di memoria, inserire la batteria/la scheda di memoria e chiudere i coperchi.



Inserire il pacco batteria tenendo premuta la leva di blocco.



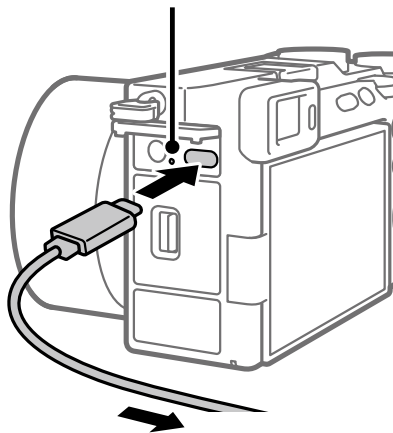
Assicurarsi che l'angolo smussato sia orientato correttamente.

Questa fotocamera è compatibile con le schede di memoria SD. Quando si utilizza per la prima volta una scheda di memoria con questa fotocamera, formattare la stessa nella fotocamera per stabilizzarne le prestazioni.

IT

Caricamento del pacco batteria

Indicatore luminoso di carica



A una fonte di alimentazione esterna

1 Spegnere il prodotto.

- Se la fotocamera è accesa, il pacco batteria non viene caricato.

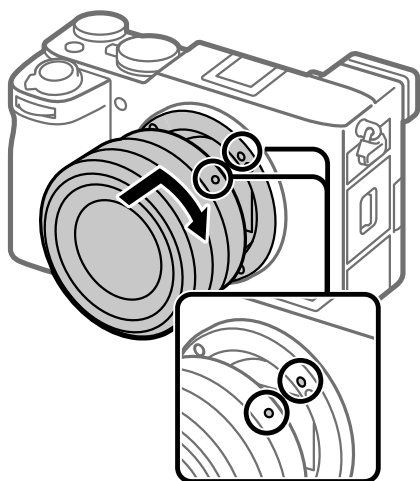
2 Utilizzando un cavo USB Type-C disponibile in commercio, collegare il terminale USB Type-C della fotocamera a una fonte di alimentazione esterna, come ad esempio un adattatore CA USB o una batteria mobile disponibili in commercio.

- L'indicatore luminoso di carica si illumina quando ha inizio la carica. Quando la carica è completata, l'indicatore si spegne.

IT
3

Questa fotocamera è compatibile con USB-PD (USB Power Delivery). Quando un dispositivo compatibile con USB-PD è collegato alla fotocamera, è possibile eseguire una ricarica rapida. Si consiglia di usare un dispositivo USB-PD che sia compatibile con un'uscita di 9 V/3 A o 9 V/2 A.

Montaggio di un obiettivo



Indici di montaggio

- 1** Montare l'obiettivo allineando i due segni dell'indice di colore bianco (indici di montaggio) sull'obiettivo e sulla fotocamera.
- 2** Spingendo delicatamente l'obiettivo verso la fotocamera, ruotare lentamente l'obiettivo nella direzione della freccia finché non scatta in posizione bloccata.

Esecuzione della configurazione iniziale della fotocamera

Collegando (abbinando) la fotocamera e uno smartphone tramite Bluetooth, è possibile eseguire la configurazione iniziale della fotocamera, come l'impostazione di data e ora, dallo smartphone. Installare anticipatamente l'applicazione dedicata nello smartphone, quindi seguire i passaggi da **1** a **4** della sezione "Procedure per la configurazione iniziale della fotocamera".

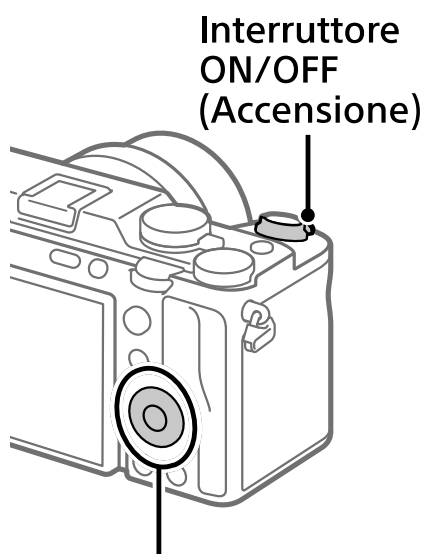
Installazione dell'applicazione per smartphone dedicata



Installare l'applicazione dal seguente sito web. Aggiornare inoltre l'applicazione dedicata alla versione più recente. Le specifiche dell'applicazione dedicata potrebbero cambiare senza preavviso.

<https://www.sony.net/ca/>

■ Procedure per la configurazione iniziale della fotocamera

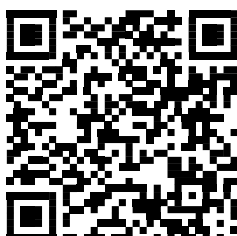


Rotellina di controllo/
tasto centrale

- 1 Portare l'interruttore ON/OFF (Accensione) su "ON" per accendere la fotocamera.**
- 2 Selezionare la lingua desiderata e premere al centro della rotellina di controllo.**
 - Apparirà la schermata con l'informativa sulla privacy. Leggere l'informativa sulla privacy relativa alla biometria aprendo il collegamento con lo smartphone ecc.
- 3 Premere al centro della rotellina di controllo.**
- 4 Seguire le istruzioni sullo schermo della fotocamera per connettere la fotocamera allo smartphone e per eseguire la configurazione iniziale.**
 - È possibile anche configurare o cambiare le impostazioni iniziali in un secondo momento dal MENU della fotocamera.

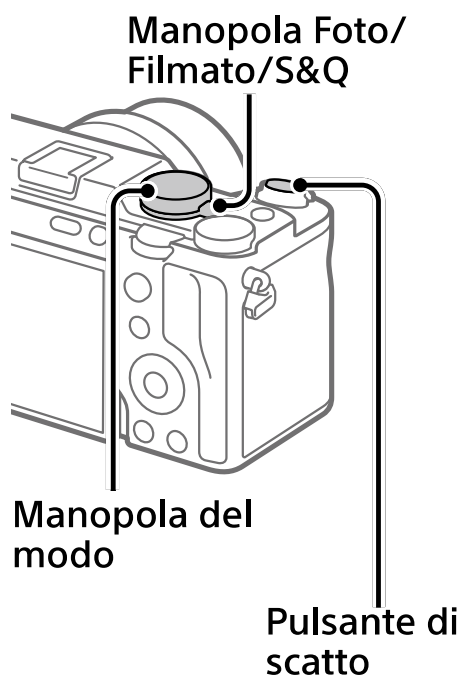
IT

■ Abbinamento della fotocamera allo smartphone in un secondo momento (Conn. smartphone)



Per i dettagli sul metodo di connessione, fare riferimento al seguente URL della Guida:
https://rd1.sony.net/help/ilc/2360_pairing/h_zz/

Ripresa di fermi immagine



- 1 Ruotare la manopola Foto/
Filmato/S&Q e portarla in posizione
📷 (Foto).
- 2 Selezionare il modo di ripresa
ruotando la manopola del modo.
- 3 Premere a metà il pulsante di scatto
per mettere a fuoco.
- 4 Premere a fondo il pulsante di
scatto.

Note sull'uso

Consultare anche le "Precauzioni" nella "Guida".

Note sulla manipolazione del prodotto

- Non esporre l'obiettivo o il mirino a fonti di luce forti come la luce solare. Per l'effetto di condensazione dell'obiettivo, ciò potrebbe causare fumo, fuoco o un malfunzionamento all'interno del corpo della fotocamera o dell'obiettivo stesso. Se si deve lasciare la fotocamera esposta a una fonte di luce, come la luce solare, applicare il copriobiettivo sull'obiettivo.
- Se la luce solare o un'altra fonte di luce forte entra nella fotocamera attraverso l'obiettivo, potrebbe colpire l'interno della fotocamera e causare fumo o fuoco. Montare il copriobiettivo quando si ripone la fotocamera. Quando si riprende con retroilluminazione, tenere il sole sufficientemente lontano dall'angolo di visione. La luce solare può causare fumo o fuoco anche se leggermente spostata dall'angolo di visione.
- Non guardare la luce solare o una sorgente luminosa intensa attraverso l'obiettivo smontato. Ciò può provocare danni permanenti agli occhi o causare malfunzionamenti.
- Questa fotocamera (accessori inclusi) contiene magneti che potrebbero interferire con pacemaker, valvole shunt programmabili per il trattamento dell'idrocefalo o altri dispositivi medicali. Non collocare questa fotocamera nelle vicinanze di persone che fanno uso di tali dispositivi medicali. Consultare il proprio medico prima di usare questa fotocamera se si fa uso di dispositivi medicali.
- Aumentare gradualmente il volume. I forti rumori improvvisi possono danneggiare le orecchie. Prestare particolare attenzione quando si ascoltano le cuffie.
- Non lasciare la fotocamera, gli accessori in dotazione, o le schede di memoria alla portata dei bambini. Potrebbero ingerire accidentalmente delle parti. Se si dovesse verificare, consultare immediatamente un medico.
- Quando si riprende con il mirino, si potrebbero verificare dei sintomi quali affaticamento degli occhi, stanchezza, chinetosi o nausea. Si consiglia di fare una pausa ad intervalli regolari quando si sta riprendendo con il mirino.
- Se il monitor o il mirino elettronico è danneggiato, smettere immediatamente di usare la fotocamera. Le parti danneggiate potrebbero causare lesioni alle mani, al viso ecc.


- Durante la ripresa continua di immagini statiche, il monitor o il mirino può lampeggiare tra la schermata di ripresa e lo schermo vuoto. Se si continua a guardare lo schermo in questa situazione, si potrebbero verificare sintomi sgradevoli come sensazioni di malessere. Se si verificano sintomi di disagio, smettere di usare la fotocamera e, se necessario, consultare un medico.
- Nel caso di registrazione o streaming per periodi di tempo prolungati o di registrazione di filmati 4K, se la stessa porzione di pelle tocca la fotocamera a lungo durante l'uso della fotocamera, anche se questa non sembra essere molto calda, può causare i sintomi di un'ustione a bassa temperatura, quali l'arrossamento o la formazione di vesciche. Prestare particolare attenzione nelle seguenti situazioni e utilizzare un treppiede ecc.
 - Quando si utilizza la fotocamera in un ambiente con temperatura elevata
 - Quando la fotocamera viene utilizzata da persone con problemi di circolazione o ridotta sensibilità della pelle
 - Quando si utilizza la fotocamera con [Temp. ali. DIS. auto.] impostata su [Alto]

Obiettivi/accessori Sony

L'utilizzo di questa unità con prodotti di altre marche potrebbe alterarne le prestazioni e causare incidenti o malfunzionamenti.

Nota sulla banda 5 GHz per la LAN wireless

Quando si utilizza la funzione LAN wireless all'aperto, impostare la banda a 2,4 GHz procedendo come segue.

- MENU →  (Rete) → [Wi-Fi] → [Banda freq. Wi-Fi]

Come disattivare temporaneamente le funzioni di rete wireless (Wi-Fi ecc.)

Quando ci si imbarca su un aereo ecc., è possibile disattivare temporaneamente tutte le funzioni di rete wireless con [Modo Aeroplano].

Per i clienti in Europa

IEEE802.11 b/g/n	2 400 MHz	< 60 mW e.i.r.p.
IEEE802.11 a/n/ac	5 150 - 5 350 MHz 5 470 - 5 725 MHz	< 35 mW e.i.r.p.
IEEE802.11 a/n/ac	5 725 - 5 850 MHz	< 25 mW e.i.r.p.
Bluetooth	2 400 MHz	< 10 mW e.i.r.p.

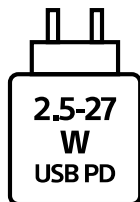
Con la presente, Sony Corporation dichiara che questo apparecchio è conforme alla Direttiva 2014/53/UE. Il testo completo della dichiarazione di conformità UE è disponibile al seguente indirizzo Internet: <https://www.compliance.sony.eu>

Per questa apparecchiatura radio, si applicano le seguenti restrizioni sulla messa in servizio o requisiti per l'autorizzazione all'utilizzo in AT/BE/BG/CY/CZ/DK/EE/FI/FR/DE/EL/HU/IE/IT/LV/LT/LU/MT/NL/PL/PT/RO/SK/SI/ES/SE/UK/UK(NI)/HR/IS/LI/NO/CH/AL/BA/MK/MD/RS/ME/XK/TR:

La banda 5 150 - 5 350 MHz è limitata al solo uso in interni.

La potenza fornita dal caricabatteria deve essere tra min 2,5 watt richiesta dall'apparecchiatura radio e max 27 watt per raggiungere la massima velocità di ricarica.

Ricarica rapida USB PD



Dati tecnici

Fotocamera

[Sistema]

Tipo di fotocamera:

Fotocamera digitale con obiettivo intercambiabile

Obiettivo: obiettivo con montaggio E Sony

[Sensore dell'immagine]

Formato immagine:

full-frame a 35 mm, sensore dell'immagine CMOS

Numero effettivo di pixel della fotocamera:

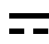
Circa 33 000 000 pixel

Numero totale di pixel della fotocamera:

Circa 34 100 000 pixel

[Generali]

Valore di ingresso nominale:

7,2 V , 3,7 W

Temperatura di esercizio:

da 0 a 40 °C

Temperatura di conservazione:

da -20 a 55 °C

Dimensioni (L/A/P) (circa):

124,0 × 71,1 × 63,4 mm

124,0 × 71,1 × 58,6 mm

(dall'impugnatura al monitor)

Peso (circa):

514 g (inclusi pacco batteria e scheda SD)

[LAN wireless]

WW499972

Formato supportato:

IEEE 802.11 a/b/g/n/ac

Banda di frequenza:

2,4 GHz/5 GHz

Pacco Batteria Ricaricabile NP-FZ100

Tensione nominale: 7,2 V 

Il disegno e le caratteristiche tecniche sono soggetti a modifiche senza preavviso.

Modelli di iPhone/iPad compatibili

iPhone 14 Pro Max, iPhone 14 Pro, iPhone 14 Plus, iPhone 14, iPhone SE (3ª generazione), iPhone 13 Pro Max, iPhone 13 Pro, iPhone 13, iPhone 13 mini, iPhone 12 Pro Max, iPhone 12 Pro, iPhone 12, iPhone 12 mini, iPhone SE (2ª generazione), iPhone 11 Pro Max, iPhone 11 Pro, iPhone 11, iPhone XS Max, iPhone XS, iPhone XR, iPhone X, iPhone 8 Plus, iPhone 8, iPhone 7 Plus, iPhone 7, iPhone SE, iPhone 6s Plus, iPhone 6s, iPad Air (3ª, 4ª e 5ª generazione), iPad (dalla 5ª alla 10ª generazione), iPad mini (6ª generazione), iPad Pro 12,9 pollici (dalla 1ª alla 6ª generazione), iPad Pro 11 pollici (dalla 1ª alla 4ª generazione), iPad Pro 10,5 pollici, iPad Pro 9,7 pollici, iPad Air 2, iPad mini (5ª generazione), iPad mini 4 (Da maggio 2023)

IT

Marchi/licenze

- **α** è un marchio di Sony Group Corporation.
- Apple, iPhone e iPad sono marchi di Apple Inc., registrati negli Stati Uniti d'America e in altri Paesi.
- USB Type-C® e USB-C® sono marchi registrati di USB Implementers Forum.
- Wi-Fi, il logo Wi-Fi e Wi-Fi Protected Setup sono marchi registrati o marchi di Wi-Fi Alliance.
- Il marchio denominativo Bluetooth® e i relativi loghi sono marchi registrati di proprietà di Bluetooth SIG, Inc. e il loro utilizzo è concesso in licenza a Sony Group Corporation e alle rispettive consociate.
- QR Code è un marchio di Denso Wave Inc.
- Inoltre, i nomi dei sistemi e dei prodotti usati in questo manuale sono, in generale, marchi o marchi registrati dei loro rispettivi sviluppatori o produttori. Tuttavia, i contrassegni TM o ® potrebbero non essere usati in tutti i casi in questo manuale.

IMPORTANTE - Leggere il Contratto di licenza software con l'utente finale prima di utilizzare il prodotto Sony.

L'utilizzo del prodotto indica l'accettazione del Contratto di licenza software con l'utente finale. Il contratto di licenza software tra l'utente e Sony è disponibile al seguente URL:
(https://rd1.sony.net/help/di/el23/h_zz/)

- L'uso dell'adesivo Made for Apple indica che un accessorio è stato progettato per essere collegato specificatamente al prodotto Apple indicato ed è stato certificato dallo sviluppatore per soddisfare gli standard di prestazioni di Apple. Apple non si assume alcuna responsabilità in merito al funzionamento del dispositivo o alla conformità con gli standard normativi e di sicurezza.

Made for

 iPhone | iPad

Sul sito web di Assistenza clienti è possibile trovare informazioni aggiuntive su questo prodotto e le risposte alle domande frequenti.

<https://www.sony.net/>

Sobre “Guia de ajuda”



Para obter instruções detalhadas sobre a utilização da câmara, consulte o “Guia de ajuda” (manual na Web).

https://rd1.sony.net/help/ilc/2360/h_zz/

ILCE-7CM2 Guia de ajuda



Preparativos

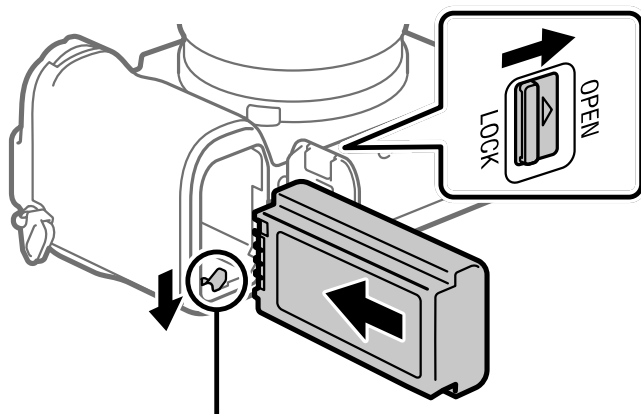
Verificação dos itens fornecidos

O número entre parênteses indica o número de peças.

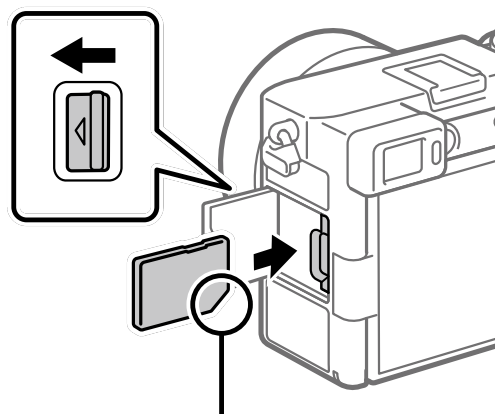
- Câmara (1)
- Bateria recarregável NP-FZ100 (1)
- Correia do ombro (1)
- Tampa do corpo da câmara (1) (colocada na câmara)
- Tampa da sapata (1) (colocada na câmara)
- Guia de início (este manual) (1)
- Guia de referência (1)

Inserir a bateria (fornecido)/cartão de memória (vendido separadamente) na câmara

Abra a tampa do compartimento da bateria e a tampa do cartão de memória, insira a bateria/cartão de memória e feche as tampas.



Insira a bateria enquanto carrega na alavanca de bloqueio.



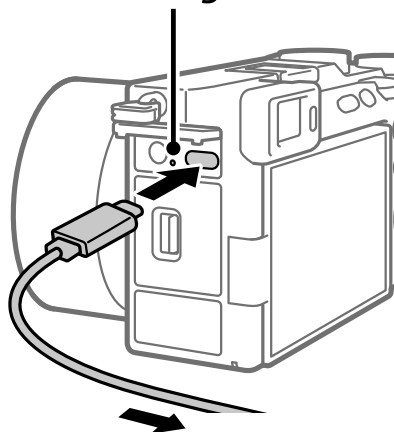
Certifique-se de que o canto com o entalhe está virado corretamente.

Esta câmara é compatível com cartões de memória SD. Quando usa um cartão de memória com esta câmara pela primeira vez, formate o cartão usando a câmara para estabilizar o desempenho do cartão de memória.

PT

Carregar a bateria

Indicador luminoso de carga



Para uma fonte de alimentação externa

1 Desligue a alimentação.

- Se a câmara estiver ligada, a bateria não carregará.

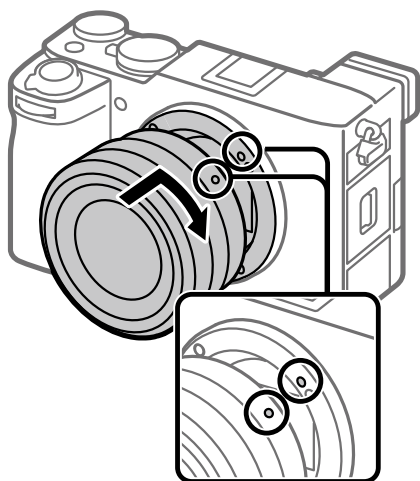
2 Utilizando um cabo USB Type-C disponível no mercado, ligue o terminal USB Type-C da câmara a uma fonte de alimentação externa, como um adaptador CA USB ou uma power bank disponível no mercado.

- O indicador luminoso de carga acenderá quando o carregamento iniciar. Quando o indicador se apaga, o carregamento está concluído.

PT
3

Esta câmara é compatível com USB-PD (USB Power Delivery). Quando um dispositivo compatível com USB-PD estiver ligado à câmara, é possível um carregamento rápido. Recomendamos a utilização de um dispositivo USB-PD que seja compatível com uma saída de 9 V/3 A ou 9 V/2 A.

Colocar uma objetiva



Índices de montagem

- 1 Monte a objetiva alinhando as duas marcas brancas do índice (índices de montagem) na objetiva e na câmara.**
- 2 Enquanto empurra levemente a objetiva em direção à câmara, gire lentamente a objetiva na direção da seta até ouvir um estalido, indicando que a objetiva encaixou na posição de bloqueada.**

Realização da configuração inicial da câmara

Ao estabelecer uma ligação Bluetooth (emparelhamento) entre a câmara e um smartphone, pode realizar a configuração inicial da câmara, como as definições de data e hora, a partir do smartphone. Instale com antecedência a aplicação dedicada no seu smartphone, e depois siga os passos **1** a **4** em "Procedimentos para a configuração inicial da câmara".

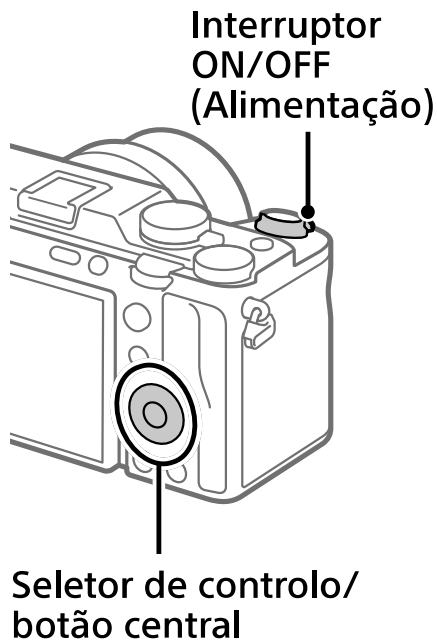
Instalar a aplicação dedicada do smartphone



Instale a aplicação a partir do seguinte website. Além disso, atualize para a versão mais recente da aplicação dedicada. As especificações da aplicação dedicada podem alterar-se sem aviso prévio.

<https://www.sony.net/ca/>

■ Procedimentos para a configuração inicial da câmara



- 1 Defina o interruptor ON/OFF (Alimentação) para "ON" para ligar a câmara.**
- 2 Selecione o idioma desejado e depois carregue no centro do seletor de controlo.**
 - Irá aparecer o ecrã de aviso de privacidade. Leia o aviso de privacidade referente aos dados biométricos abrindo a ligação e utilizando o seu smartphone, etc.
- 3 Carregue no centro do seletor de controlo.**
- 4 Siga as instruções no ecrã da câmara para ligar a câmara com o smartphone e para realizar a configuração inicial.**
 - Também pode configurar ou alterar as definições iniciais mais tarde a partir do MENU da câmara.

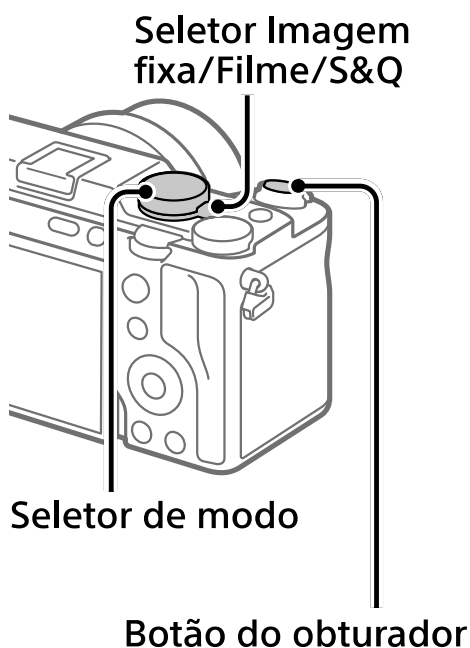
PT


■ Emparelhar a câmara com o smartphone mais tarde (Lig. smartphone)



Para mais detalhes sobre o método de ligação, consulte o seguinte Guia de ajuda URL:
https://rd1.sony.net/help/ilc/2360_pairing/h_zz/

Fotografar imagens fixas



- 1 Rode e defina o seletor Imagem fixa/Filme/S&Q para  (Imagem fixa).
- 2 Selecione o modo de fotografia desejado rodando o seletor de modo.
- 3 Carregue até meio no botão do obturador para focar.
- 4 Carregue completamente no botão do obturador.

Notas sobre a utilização

Consulte também “Precauções” no “Guia de ajuda”.

Notas sobre o manuseamento do produto

- Não deixe a objetiva ou o visor exposto a uma fonte de luz forte como por exemplo a luz solar. Por causa da função de condensação da objetiva, ao fazê-lo pode provocar fumo, fogo ou um mau funcionamento no interior do corpo da câmara ou da objetiva. Se tiver de deixar a câmara exposta a uma fonte de luz como a luz solar, coloque a tampa da objetiva na objetiva.
- Se a luz solar ou outra luz forte entrar na câmara através da objetiva, pode focar no interior da câmara e provocar fumo ou fogo. Coloque a tampa da objetiva quando guardar a câmara. Quando fotografar com retroiluminação, mantenha o sol suficientemente afastado do ângulo de visão. Mesmo que esteja ligeiramente afastado do ângulo de visão, o fumo ou fogo podem ocorrer na mesma.
- Não olhe para a luz solar nem para uma fonte de luz forte através da objetiva quando estiver desmontada. Isso pode resultar em danos irreparáveis para os olhos ou causar um mau funcionamento.
- Esta câmara (incluindo os acessórios) tem íman(es) que pode(m) interferir com pacemakers, válvulas de derivação programáveis para o tratamento de hidrocefalia ou outros dispositivos médicos. Não coloque esta câmara perto de pessoas que utilizam esses dispositivos médicos. Consulte o seu médico antes de utilizar esta câmara se utilizar qualquer um desses dispositivos médicos.
- Aumente o volume gradualmente. Os ruídos intensos repentinos podem danificar os seus ouvidos. Tenha especial cuidado ao ouvir com auscultadores.
- Não deixe a câmara, os acessórios fornecidos ou os cartões de memória ao alcance das crianças. Podem ser ingeridos acidentalmente. Se isso ocorrer, consulte imediatamente um médico.
- Quando fotografar com o visor, pode experimentar sintomas como por exemplo fadiga visual, fadiga, enjoo de movimento ou náusea. Recomendamos que faça uma pausa em intervalos regulares quando estiver a fotografar com o visor.
- Se o monitor ou o visor eletrónico estiver danificado, deixe de utilizar a câmara imediatamente. As peças danificadas podem lesionar as suas mãos, rosto, etc.
- Quando fotografa imagens fixas continuamente, o monitor ou visor pode piscar entre o ecrã de fotografia e um ecrã negro. Se continuar a ver o ecrã nesta situação, pode sentir sintomas de desconforto como uma sensação de mal-estar. Se sentir sintomas de desconforto, deixe de usar a câmara e consulte o seu médico conforme necessário.

- Se gravar ou fizer streaming durante longos períodos de tempo, ou se gravar filmes 4K, se a mesma parte da sua pele toca na câmara durante um longo período de tempo durante a utilização da câmara, mesmo se não sentir a câmara quente, pode causar sintomas de uma queimadura de baixa temperatura como por exemplo vermelhidão ou bolhas. Tome especial atenção nas seguintes situações e use um tripé, etc.


- Quando usar a câmara num ambiente de temperatura elevada
- Quando alguém com má circulação ou problemas de sensibilidade cutânea usa a câmara
- Quando usar a câmara com a [Temp des. alim. auto] definida para [Alto]

Objetivas/acessórios Sony

A utilização desta unidade com produtos de outros fabricantes pode afetar o respetivo desempenho, originando acidentes ou avarias.

Nota sobre a banda de 5 GHz para LAN sem fios

Quando utilizar a função LAN sem fios em exteriores, defina a banda para 2,4 GHz seguindo o procedimento abaixo.

- MENU →  (Rede) → [Wi-Fi] → [Banda freq. Wi-Fi]

Como desligar temporariamente funções da rede sem fios (Wi-Fi, etc.)

Quando estiver a bordo de um avião, etc., pode desligar temporariamente todas as funções da rede sem fios usando [Modo de avião].

Aviso para os clientes na Europa

IEEE802.11 b/g/n	2 400 MHz	< 60 mW e.i.r.p.
IEEE802.11 a/n/ac	5 150 - 5 350 MHz 5 470 - 5 725 MHz	< 35 mW e.i.r.p.
IEEE802.11 a/n/ac	5 725 - 5 850 MHz	< 25 mW e.i.r.p.
Bluetooth	2 400 MHz	< 10 mW e.i.r.p.

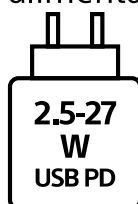
A abaixo assinada Sony Corporation declara que o presente equipamento está em conformidade com a Diretiva 2014/53/UE.

O texto integral da declaração de conformidade está disponível no seguinte endereço de Internet: <https://www.compliance.sony.eu>

Neste equipamento de rádio, as seguintes restrições sobre colocação ao serviço ou dos requisitos de autorização para utilização aplicam-se em AT/BE/BG/CY/CZ/DK/EE/FI/FR/DE/EL/HU/IE/IT/LV/LT/LU/MT/NL/PL/PT/RO/SK/SI/ES/SE/UK/UK(NI)/HR/IS/LI/NO/CH/AL/BA/MK/MD/RS/ME/XK/TR:

A banda 5 150 – 5 350 MHz está limitada apenas a funcionamento em interiores.


A potência fornecida pelo carregador tem de se situar entre um mínimo de 2,5 Watts exigidos pelo equipamento de rádio e um máximo de 27 Watts para que a velocidade de carregamento máxima seja atingida. Carregamento rápido com alimentação de energia por porta USB



Para clientes que compraram a sua câmara numa loja no Japão vocacionada para turistas

Nota

Algumas marcas de certificação relativas às normas suportadas pela câmara podem ser confirmadas no ecrã da câmara.

Selecione MENU →  (Configuração) → [Opção configur.] → [Logotipo Certificaç.].

Especificações

Câmara

[Sistema]

Tipo de câmara:

Câmara Digital de Objetivas intercambiáveis

Objetiva: objetiva de montagem tipo E Sony

[Sensor de imagem]

Formato da imagem:

35 mm "full frame", sensor de imagem CMOS

Número de píxeis efetivos da câmara:

Aprox. 33 000 000 píxeis

Número total de píxeis da câmara:

Aprox. 34 100 000 píxeis

[Geral]

Potência nominal de entrada:

7,2 V , 3,7 W

Temperatura de funcionamento:

0 a 40 °C

Temperatura de armazenamento:

-20 a 55 °C

Dimensões (L/A/P) (aprox.):

124,0 × 71,1 × 63,4 mm

124,0 × 71,1 × 58,6 mm

(desde a pega ao monitor)

Peso (aprox.):

514 g (incluindo bateria, cartão SD)

[LAN sem fios]

WW499972

Formato suportado:

IEEE 802.11 a/b/g/n/ac

Banda de frequência:

2,4 GHz/5 GHz

Bateria recarregável NP-FZ100

Tensão nominal: 7,2 V 

O design e as especificações estão sujeitos a alterações sem aviso prévio.

Modelos de iPhone/iPad compatíveis

iPhone 14 Pro Max, iPhone 14 Pro, iPhone 14 Plus, iPhone 14, iPhone SE (3.ª geração), iPhone 13 Pro Max, iPhone 13 Pro, iPhone 13, iPhone 13 mini, iPhone 12 Pro Max, iPhone 12 Pro, iPhone 12, iPhone 12 mini, iPhone SE (2.ª geração), iPhone 11 Pro Max, iPhone 11 Pro, iPhone 11, iPhone XS Max, iPhone XS, iPhone XR, iPhone X, iPhone 8 Plus, iPhone 8, iPhone 7 Plus, iPhone 7, iPhone SE, iPhone 6s Plus, iPhone 6s, iPad Air (3.ª, 4.ª e 5.ª geração), iPad (5.ª à 10.ª geração), iPad mini (6.ª geração), iPad Pro 12,9 polegadas (1.ª à 6.ª geração), iPad Pro 11 polegadas (1.ª à 4.ª geração), iPad Pro 10,5 polegadas, iPad Pro 9,7 polegadas, iPad Air 2, iPad mini (5.ª geração), iPad mini 4 (Desde maio de 2023)

PT

Marcas comerciais/ Licenças

- **α** é uma marca comercial da Sony Group Corporation.
- Apple, iPhone e iPad são marcas comerciais da Apple Inc., registadas nos EUA e noutros países.
- USB Type-C® e USB-C® são marcas registadas da USB Implementers Forum.
- Wi-Fi, o logótipo Wi-Fi e Wi-Fi Protected Setup são marcas registadas ou marcas comerciais da Wi-Fi Alliance.
- A palavra da marca Bluetooth® e logótipos são marcas registadas propriedade da Bluetooth SIG, Inc. e qualquer utilização dessas marcas pela Sony Group Corporation e respetivas subsidiárias é sob licença.
- QR Code é uma marca comercial da Denso Wave Inc.
- Para além disso, os nomes de sistemas e produtos usados neste manual são, em geral, marcas comerciais ou marcas registadas dos seus respetivos programadores ou fabricantes. Contudo, as marcas ™ ou ® podem não ser usadas em todos os casos neste manual.

IMPORTANTE – Leia o Acordo de Licença de Software para Utilizador Final antes de utilizar o seu produto Sony.

A utilização do seu produto indica a sua aceitação do Acordo de Licença de Software para Utilizador Final. O acordo de licença de software entre o utilizador e a Sony está disponível no seguinte URL:
(https://rd1.sony.net/help/di/el23/h_zz/)

- O uso do selo Made for Apple significa que o acessório foi desenhado para conectar especificamente para o(s) produto(s) Apple identificado(s) no selo e foi certificado pelo desenvolvedor para atender aos padrões de desempenho da Apple. A Apple não é responsável pela operação deste dispositivo ou por sua conformidade com normas de segurança ou de regulamentação.

Made for

 iPhone | iPad

Informação adicional sobre este produto e respostas a perguntas frequentes podem ser encontradas no Website do Apoio ao Cliente.

<https://www.sony.net/>

PT

Over de "Helpgids"



Voor gedetailleerde instructies voor het gebruik van de camera, raadpleegt u de "Helpgids" (handleiding op het internet).

https://rd1.sony.net/help/ilc/2360/h_zz/

ILCE-7CM2 Helpgids



Vorbereidingen

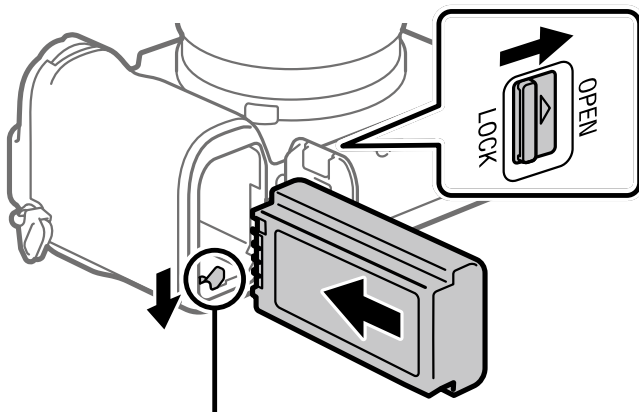
De bijgeleverde items controleren

De cijfer tussen haakjes geeft het aantal stuks aan.

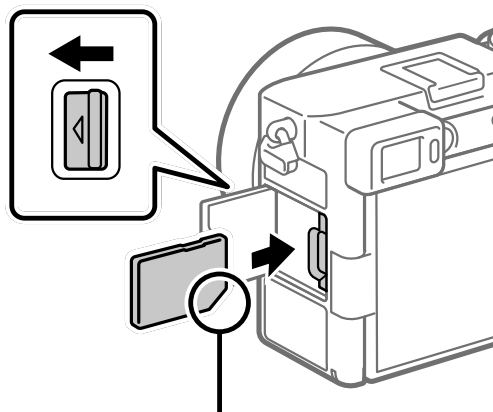
- Camera (1)
- Oplaadbare accu NP-FZ100 (1)
- Schouderriem (1)
- Camerahuisdop (1) (bevestigd op de camera)
- Accessoireschoenafdekking (1) (bevestigd op de camera)
- Beknopte gids (deze handleiding) (1)
- Referentiegids (1)

De accu (bijgeleverd)/geheugenkaart (los verkrijgbaar) in de camera plaatsen

Open het deksel van de accu en het deksel van de geheugenkaart, plaats de accu/geheugenkaart en sluit de deksels.



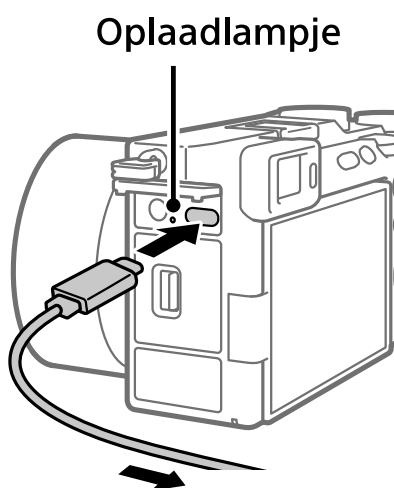
Plaats de accu erin terwijl u op de vergrendelingshendel drukt.



Let erop dat de afgeschuinde hoek in de juiste richting wijst.

Deze camera is compatibel met SD-geheugenkaarten. Wanneer u voor de eerste keer een geheugenkaart gebruikt in deze camera, formateert u de kaart met behulp van de camera om de prestaties van de geheugenkaart stabiel te maken.

De accu opladen

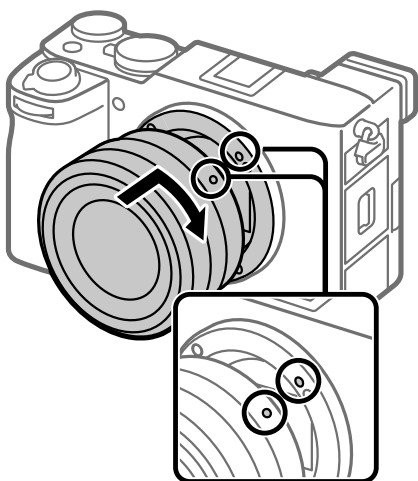


Naar een externe voedingsbron

- 1 Zet het apparaat uit.**
 - Als de camera is ingeschakeld, wordt de accu niet opgeladen.
- 2 Gebruik een in de winkel verkrijgbare USB Type-C-kabel en sluit hiermee de USB Type-C-aansluiting van de camera aan op een externe voedingsbron, zoals een in de winkel verkrijgbare USB-netstroomadapter of draagbare accu.**
 - Het oplaadlampje gaat branden wanneer het opladen start. Wanneer het oplaadlampje uitgaat is het opladen voltooid.

Deze camera is compatibel met USB-PD (USB Power Delivery). Wanneer een apparaat dat compatibel is met USB-PD is aangesloten op de camera, is snel opladen mogelijk. Wij adviseren een USB-PD-apparaat dat compatibel is met een uitgang van 9 V/3 A of 9 V/2 A.

Bevestig een lens



Vattingmarkeringen

- 1 Bevestig de lens door de twee witte uitlijnmarkeringen (vattingmarkeringen) op de lens en de camera met elkaar uit te lijnen.**
- 2 Terwijl u de lens licht tegen de camera aan duwt, draait u de lens langzaam in de richting van de pijl totdat deze vastklikt in de vergrendelde positie.**

De initiële instellingen van camera maken

Door een Bluetooth-verbinding tot stand te brengen (paren) tussen de camera en een smartphone, kunt u de initiële instellingen van de camera, zoals de datum- en tijdstellingen, maken vanaf de smartphone. Installeer de specifieke smartphone-app van tevoren op uw smartphone en volg daarna de stappen **1** tot en met **4** onder "Procedures voor de initiële instellingen van de camera".

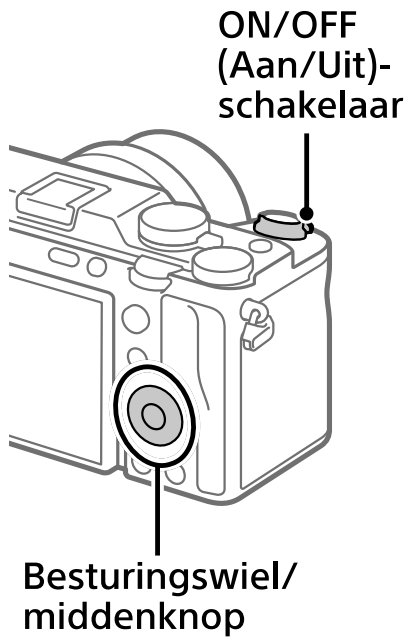
De specifieke smartphone-app installeren



Installeer de app vanaf de volgende website. Update tevens naar de meest recente versie van de specifieke app. De specificaties van de specifieke app kunnen zonder kennisgeving veranderen.

<https://www.sony.net/ca/>

■ Procedures voor de initiële instellingen van de camera



- ➊ Zet de ON/OFF (Aan/Uit)-schakelaar op "ON" om de camera in te schakelen.
- ➋ Selecteer de gewenste taal en druk daarna op het midden van het besturingswiel.
 - Het privacykennisgevings scherm wordt afgebeeld. Lees de privacykennisgeving over biometrie door de koppeling te openen met behulp van uw smartphone, enz.
- ➌ Druk op het midden van het besturingswiel.
- ➍ Volg de instructies op het camerascherm om de camera te verbinden met uw smartphone de initiële instellingen te maken.
 - U kunt de initiële instellingen later configureren of veranderen in het MENU van de camera.

■ De camera later paren aan uw smartphone (Smartphoneverbind.)

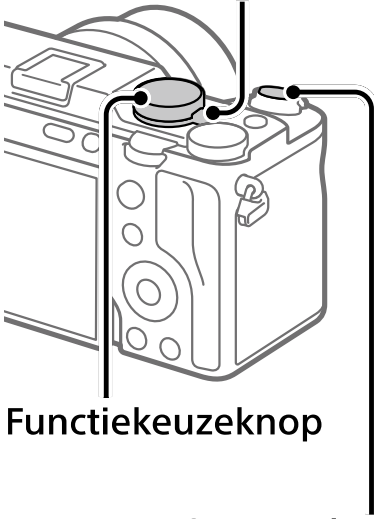
NL



Voor meer informatie over de aansluitmethode, raadpleegt u de volgende Helpgids-URL:
https://rd1.sony.net/help/ilc/2360_pairing/h_zz/

Stilstaande beelden opnemen

Knop Stilstaand/
Bewegend beeld/S&Q



Functiekeuzeknop

Ontspanknop

- 1 Stel de knop Stilstaand/Bewegend beeld/S&Q in op  (Stilstaand beeld).
- 2 Selecteer de gewenste opnamefunctie door de functiekeuzeknop te draaien.
- 3 Druk de ontspanknop tot halverwege in om scherp te stellen.
- 4 Druk de ontspanknop helemaal in.

Opmerkingen over het gebruik

Raadpleeg ook "Voorzorgsmaatregelen" in de "Helpgids".

Opmerkingen over het hanteren van het apparaat

- Stel de lens of de zoeker niet langdurig bloot aan een sterke lichtbron, zoals de zon. Vanwege de condensatiefunctie van de lens, kan als u dit doet rook, brand of een storing worden veroorzaakt binnenin de camerabody of de lens. Als u de camera moet blootstellen aan een lichtbron, zoals de zon, dan bevestigt u de lensdop op de lens.
- Als zonlicht of ander sterk licht door de lens in de camera valt, kan dit zich in de camera concentreren en rook of brand veroorzaken. Bevestig de lensdop wanneer u de camera opbergt. Als u opneemt met tegenlicht, houdt u de zon voldoende ver uit de kijkhoek. Zelfs als deze iets buiten de kijkhoek staat, kan nog steeds rook of brand ontstaan.
- Kijk niet door een lens naar de zon of een sterke lichtbron wanneer deze niet op de camera is bevestigd. Dit kan leiden tot onherstelbare schade aan de ogen of een storing veroorzaken.
- Deze camera (inclusief de accessoires) bevat magneten die de werking kunnen hinderen van een pacemaker, programmeerbare shunt-ventielen voor de behandeling van hydrocefalie (waterhoofd), of andere medische apparatuur. Plaats deze camera niet dichtbij mensen die dergelijke medische apparatuur gebruiken. Raadpleeg uw arts voordat u deze camera gebruikt in het geval u dergelijke medische apparatuur gebruikt.
- Verhoog het volumeniveau geleidelijk. Plotselinge harde geluiden kunnen uw gehoor beschadigen. Wees vooral voorzichtig bij luisteren via een hoofdtelefoon.
- Laat de camera, de bijgeleverde accessoires of de geheugenkaarten niet binnen bereik van kleine kinderen. Ze kunnen per ongeluk worden ingeslikt. Als dat gebeurt, raadpleegt u onmiddellijk een arts.
- Tijdens het opnemen met de zoeker kunt u last krijgen van symptomen zoals vermoeidheid van het oog, lichamelijke vermoeidheid, reisziekte of misselijkheid. Wij adviseren u regelmatig een pauze te nemen wanneer u opneemt met de zoeker.
- Als de monitor of de elektronische beeldzoeker beschadigd is, stopt u onmiddellijk met het gebruik van de camera. De beschadigde onderdelen kunnen uw handen, gezicht enz. verwonden.
- Wanneer ononderbroken stilstaande beelden worden opgenomen, kan de monitor of zoeker snel omwisselen tussen het opnamescherm en een zwart scherm. Als u in deze situatie naar het scherm blijft kijken, kunt u last krijgen van oncomfortabele symptomen, zoals een gevoel van onwel worden. Als u last krijgt van oncomfortabele symptomen, stopt u met het gebruik van de camera en raadpleegt u zo nodig een arts.


- Als tijdens het opnemen of streamen gedurende een lange tijd of het opnemen van 4K-video hetzelfde deel van uw huid langdurig de camera aanraakt tijdens het gebruik van de camera, ook wanneer de camera niet heet aanvoelt, kunnen symptomen van verbranding bij lage temperatuur worden veroorzaakt, zoals roodheid of blaren. Let met name goed op in de volgende situaties en gebruik een statief, enz.
 - Bij gebruik van de camera in een omgeving met een hoge temperatuur
 - Wanneer iemand met een slechte bloedsomloop of een afwijkend huidgevoel de camera bedient
 - Bij gebruik van de camera met [Temp. auto strm UIT] ingesteld op [Hoog]

Sony lenzen/accessoires

Gebruik van dit toestel met producten van andere fabrikanten kan invloed hebben op de prestaties van het toestel, en kan leiden tot ongelukken of storingen.

Opmerking over de 5 GHz-band voor draadloos LAN

Bij gebruik van de functie draadloos LAN buitenshuis, stelt u de band in op 2,4 GHz met behulp van de onderstaande procedure.

- MENU →  (Netwerk) → [Wi-Fi] → [Wi-Fi-frequent.band]

De draadloos-netwerkfuncties (Wi-Fi enzovoort) tijdelijk uitschakelen

Als u in een vliegtuig enzovoort zit, kunt u alle draadloos-netwerkfuncties tijdelijk uitschakelen met [Vliegtuig-stand].

Voor klanten in Europa

IEEE802.11 b/g/n	2 400 MHz	< 60 mW e.i.r.p.
IEEE802.11 a/n/ac	5 150 - 5 350 MHz 5 470 - 5 725 MHz	< 35 mW e.i.r.p.
IEEE802.11 a/n/ac	5 725 - 5 850 MHz	< 25 mW e.i.r.p.
Bluetooth	2 400 MHz	< 10 mW e.i.r.p.

Hierbij verklaart Sony Corporation dat deze radioapparatuur conform is met Richtlijn 2014/53/EU.

De volledige tekst van de EU-conformiteitsverklaring kan worden geraadpleegd op het volgende internetadres:

<https://www.compliance.sony.eu>

Voor deze radioapparatuur gelden de volgende beperkingen voor de ingebruikneming of vereisten voor de toelating van het gebruik in AT/BE/BG/CY/CZ/DK/EE/FI/FR/DE/EL/HU/IE/IT/LV/LT/LU/MT/NL/PL/PT/RO/SK/SI/ES/SE/UK/UK(NI)/HR/IS/LI/NO/CH/AL/BA/MK/MD/RS/ME/XK/TR: 5 150 – 5 350 MHz band is beperkt tot alleen handelingen binnenshuis.

Het door de lader geleverde vermogen moet tussen minimaal 2,5 watt (zoals vereist door de radioapparatuur) en maximaal 27 watt liggen om de maximale oplaadsnelheid te bereiken.

USB PD fast charging



Technische gegevens

Camera

[Systeem]

Type camera:

Digitale camera met
verwisselbare lens

Lens: Sony-lens met E-vatting

[Beeldsensor]

Beeldformaat:

35 mm-volframe,
CMOS-beeldsensor

Effectief aantal pixels van de
camera:

Ong. 33 000 000 pixels

Totaalaantal pixels van de camera:

Ong. 34 100 000 pixels

[Algemeen]

Nominale ingang: 7,2 V , 3,7 W

Bedrijfstemperatuur:

0 t/m 40 °C

Bewaartemperatuur:

-20 t/m 55 °C

Afmetingen (b × h × d) (ong.):

124,0 × 71,1 × 63,4 mm

124,0 × 71,1 × 58,6 mm

(van handgreep tot monitor)

Gewicht (ong.):

514 g (inclusief accu en SD-
kaart)

[Draadloos LAN]

WW499972

Ondersteund formaat:

IEEE 802.11 a/b/g/n/ac

Frequentieband: 2,4 GHz/5 GHz

Oplaadbare accu NP-FZ100

Nominale spanning: 7,2 V 

Wijzigingen in ontwerp
en technische gegevens
voorbehouden, zonder
kennisgeving.

Compatibele iPhone/iPad-modellen

iPhone 14 Pro Max, iPhone 14 Pro,
iPhone 14 Plus, iPhone 14,
iPhone SE (3e generatie),
iPhone 13 Pro Max, iPhone 13 Pro,
iPhone 13, iPhone 13 mini,
iPhone 12 Pro Max, iPhone 12 Pro,
iPhone 12, iPhone 12 mini, iPhone SE
(2e generatie), iPhone 11 Pro Max,
iPhone 11 Pro, iPhone 11,
iPhone XS Max, iPhone XS, iPhone XR,
iPhone X, iPhone 8 Plus, iPhone 8,
iPhone 7 Plus, iPhone 7, iPhone SE,
iPhone 6s Plus, iPhone 6s, iPad Air
(3e, 4e en 5e generatie), iPad
(5e t/m 10e generatie), iPad mini
(6e generatie), iPad Pro 12,9-inch
(1e t/m 6e generatie), iPad Pro 11-inch
(1e t/m 4e generatie), iPad Pro
10,5-inch, iPad Pro 9,7-inch, iPad Air 2,
iPad mini (5e generatie), iPad mini 4
(per mei 2023)

NL

Handelsmerken/ Licenties

- **α** is een handelsmerk van Sony Group Corporation.
- Apple, iPhone en iPad zijn handelsmerken van Apple Inc., gedeponeerd in de Verenigde Staten en andere landen.
- USB Type-C[®] en USB-C[®] zijn gedeponeerde handelsmerken van USB Implementers Forum.
- Wi-Fi, het Wi-Fi-logo en Wi-Fi Protected Setup zijn gedeponeerde handelsmerken of handelsmerken van de Wi-Fi Alliance.
- Het woordmerk en de logo's van Bluetooth[®] zijn gedeponeerde handelsmerken in eigendom van Bluetooth SIG, Inc. en elk gebruik van dergelijke aanduidingen door Sony Group Corporation en haar dochterondernemingen valt onder licentie.
- QR Code is een handelsmerk van Denso Wave Inc.
- Alle andere in deze gebruiksaanwijzing vermelde systeem- en productnamen zijn doorgaans handelsmerken of gedeponeerde handelsmerken van de betreffende ontwikkelaars of fabrikanten. In deze gebruiksaanwijzing worden de aanduidingen [™] en [®] mogelijk niet in alle gevallen gebruikt.

BELANGRIJK – Lees de softwarelicentie-overeenkomst voor eindgebruikers voor u uw Sony-product gebruikt.

Wanneer u het product gebruikt, betekent dit dat u akkoord gaat met de softwarelicentie-overeenkomst voor eindgebruikers. De softwarelicentie-overeenkomst tussen u en Sony vindt u op de volgende URL:
(https://rd1.sony.net/help/di/el23/h_zz/)

- Het gebruik van de Made for Apple-badge betekent dat een accessoire ontworpen is om specifiek aangesloten te worden met het/de Apple-product(en) dat/ die geïdentificeerd is/zijn in de badge, en gecertificeerd is door de ontwerper om te beantwoorden aan de prestatienormen van Apple. Apple is niet verantwoordelijk voor de werking van dit apparaat of naleving van veiligheidseisen en wettelijke standaarden.

Made for
 iPhone | iPad

Extra informatie over dit apparaat en antwoorden op veelgestelde vragen vindt u op onze Customer Support-website voor klantenondersteuning.

<https://www.sony.net/>

„Przewodnik pomocniczy” - informacje



Szczegółowe instrukcje dotyczące korzystania z aparatu zawiera „Przewodnik pomocniczy” (podręcznik internetowy).

https://rd1.sony.net/help/ilc/2360/h_zz/

ILCE-7CM2 Przewodnik pomocniczy 

Przygotowania

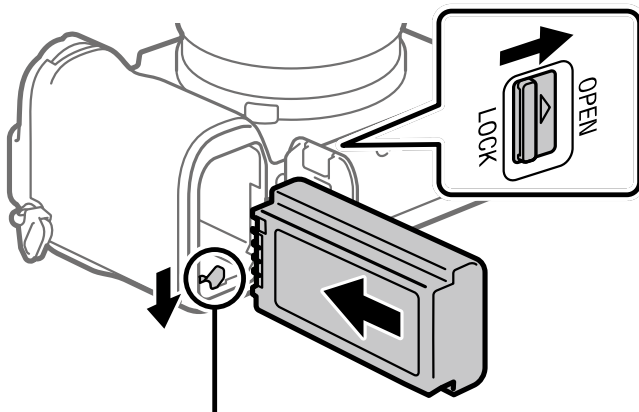
Sprawdzenie dostarczonych elementów

Liczba w nawiasach oznacza liczbę sztuk.

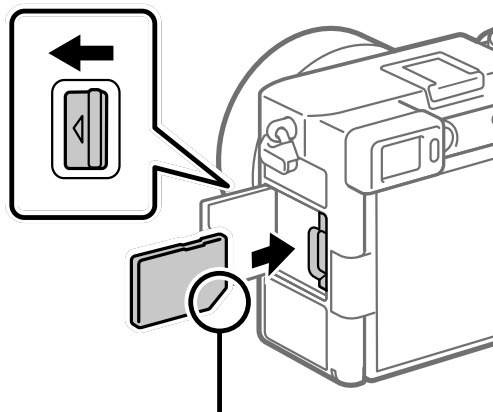
- Aparat (1)
- Akumulator NP-FZ100 (1)
- Pasek na ramię (1)
- Przykrywka korpusu (1) (na aparacie)
- Nakładka na stopkę (1) (na aparacie)
- Przewodnik uruchamiania (niniejsza instrukcja) (1)
- Przewodnik (1)

Wkładanie akumulatora (w zestawie)/karty pamięci (sprzedawany oddzielnie) do aparatu

Otwórz pokrywę akumulatora i pokrywę karty pamięci, włóż akumulator/kartę pamięci i zamknij pokrywę.



Wsuń akumulator, naciskając dźwignię blokady.

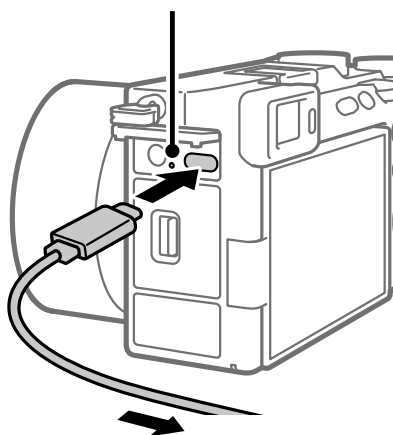


Upewnij się, że ścięty narożnik jest właściwie skierowany.

Opisywany aparat obsługuje karty pamięci SD. W przypadku pierwszego użycia karty pamięci w opisywanym aparacie należy sformatować kartę z poziomu aparatu w celu zapewnienia jej stabilnego działania.

Ładowanie akumulatora

Lampka ładowania



Do zewnętrznego źródła zasilania

1 Wyłącz zasilanie.

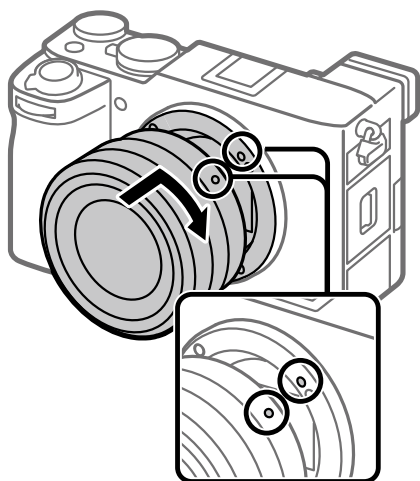
- Jeśli aparat jest włączony, akumulator nie będzie ładowany.

2 Za pomocą dostępnego na rynku przewodu USB Type-C podłącz do gniazda USB Type-C aparatu zewnętrzne źródło zasilania, na przykład dostępny na rynku zasilacz USB lub przenośny akumulator.

- W momencie rozpoczęcia ładowania zostanie podświetlona lampka ładowania. Gdy lampka ładowania zgaśnie, procedura ładowania dobiegła końca.

Opisywany aparat jest zgodny z USB-PD (USB Power Delivery). Po podłączeniu do aparatu urządzenia zgodnego z USB-PD możliwe jest szybkie ładowanie. Zalecane jest korzystanie z urządzenia USB-PD o parametrach wyjściowych 9 V/3 A lub 9 V/2 A.

Zakładanie obiektywu



Wskaźniki mocowania

- 1** Zamocuj obiektyw po uprzednim wyrównaniu dwóch białych znaczników indeksowych (wskaźników mocowania) na obiektywie i na aparacie.
- 2** Docisnąwszy lekko obiektyw do aparatu, obróć go powoli zgodnie z kierunkiem strzałki, aż do pozycji blokady, co sygnalizowane jest charakterystycznym kliknięciem.

Przeprowadzanie wstępnej konfiguracji aparatu

Po nawiązaniu połączenia Bluetooth między aparatem a smartfonem (sparowaniu) można z poziomu smartfona przeprowadzić wstępną konfigurację aparatu, na przykład ustawić datę i godzinę. Zainstaluj wcześniej dedykowaną aplikację na smartfonie, a następnie wykonaj czynności opisane w punktach od **1** do **4** w części „Procedury wstępnej konfiguracji aparatu”.

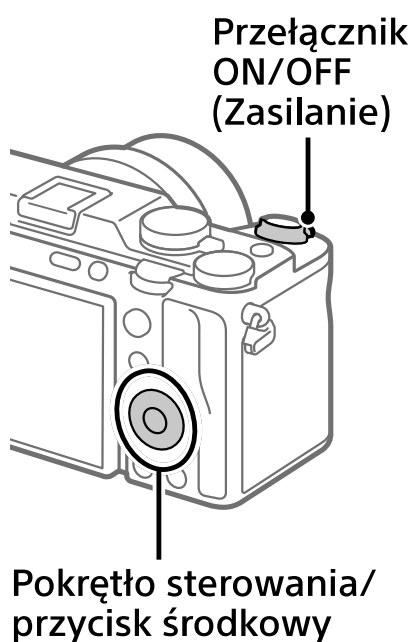
Instalowanie dedykowanej aplikacji na smartfona



Zainstaluj dedykowaną aplikację z poniższej witryny internetowej. Dodatkowo zaktualizuj dedykowaną aplikację do najnowszej wersji. Specyfikacje dedykowanej aplikacji mogą ulec zmianie bez uprzedzenia.

<https://www.sony.net/ca/>

■ Procedury wstępnej konfiguracji aparatu



- 1 Ustaw przełącznik ON/OFF (Zasilanie) w pozycji „ON”, aby włączyć aparat.**
- 2 Wybierz właściwy język, po czym naciśnij środkową sekcję pokrętki sterowania.**
 - Pojawi się ekran z informacją o ochronie prywatności. Przeczytaj informację o ochronie prywatności dotyczącą danych biometrycznych, otwierając link za pomocą, na przykład, smartfona.
- 3 Naciśnij środkową część pokrętki sterowania.**
- 4 Postępuj zgodnie z instrukcjami na ekranie aparatu, aby podłączyć aparat do smartfona i przeprowadzić wstępną konfigurację.**
 - Później również można skonfigurować lub zmienić ustawienia początkowe z poziomu MENU aparatu.

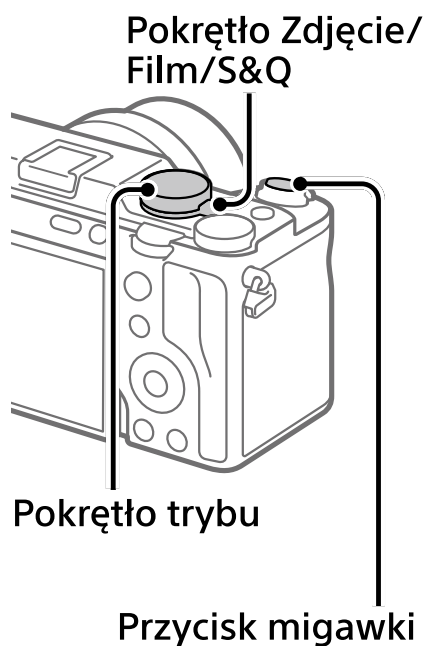
■ Późniejsze parowanie aparatu ze smartfonem (Poł. ze smartfonem)




Szczegółowe informacje na temat sposobu podłączania można znaleźć w pozycji Przewodnik pomocniczy pod poniższym adresem URL:

https://rd1.sony.net/help/ilc/2360_pairing/h_zz/

Fotografowanie



- 1 Ustaw pokrętko Zdjęcie/Film/S&Q w pozycji  (Zdjęcie).
- 2 Wybierz odpowiedni tryb rejestrowania obrazu, obracając pokrętko trybu.
- 3 Naciśnij przycisk migawki do połowy, aby ustawić ostrość.
- 4 Naciśnij do końca przycisk migawki.

Uwagi dotyczące użytkowania

Informacje można też znaleźć w rozdziale „Środki ostrożności” w dokumencie „Przewodnik pomocniczy”.

Uwagi dotyczące obchodzenia się z opisywanym produktem

- Nie narażać obiektywu lub wizjera na oddziaływanie źródeł mocnego światła, na przykład na światło słoneczne. W przeciwnym razie, z uwagi na funkcję skupiającą obiektywu, może pojawić się dym lub ogień, albo może dojść do usterki wewnątrz korpusu aparatu lub obiektywu. Jeżeli musimy pozostawić aparat w miejscu, gdzie będzie narażony na oddziaływanie źródła światła, na przykład światła słonecznego, należy na obiektyw założyć osłonę obiektywu.
- Jeśli światło słoneczne lub inne silne światło dostanie się do aparatu przez obiektyw, może ono ulec skupieniu we wnętrzu aparatu, grożąc pojawieniem się dymu lub ognia. Podczas przechowywania aparatu na obiektywie musi być zamocowana osłona na obiektyw. Podczas rejestrowania ujęć pod światło należy starać się utrzymać Słońce wystarczająco daleko poza kątem widzenia obiektywu. Nawet jeśli znajduje się ono nieznacznie poza kątem widzenia obiektywu, nadal może doprowadzić do powstania dymu lub ognia.
- Nie wolno patrzeć przez odłączony obiektyw na słońce ani inne źródło mocnego światła. Może bowiem dojść do nieodwracalnego uszkodzenia wzroku lub nieprawidłowej pracy urządzenia.
- Ten aparat (wraz z osprzętem) wyposażony jest w magnes(y) mogący(-e) zakłócać pracę rozruszników serca, programowalnych zastawek przetokowych do leczenia wodogłowia lub innych urządzeń medycznych. Nie należy umieszczać aparatu w pobliżu osób, które korzystają ze wspomnianych urządzeń medycznych. Jeżeli stosowane są wspomniane urządzenia medyczne, przed przystąpieniem do użytkowania tego aparatu należy zasięgnąć porady lekarskiej.
- Zwiększaj głośność stopniowo. Nagły wysoki poziom natężenia dźwięku grozi uszkodzeniem słuchu. Szczególną ostrożność należy zachować podczas słuchania przez słuchawki.
- Nie pozostawiać aparatu, wyposażenia z zestawu lub kart pamięci w zasięgu małych dzieci. Mogą bowiem zostać przypadkowo połknięte. W takim przypadku należy niezwłocznie zasięgnąć porady lekarza.
- Podczas rejestrowania obrazów z wykorzystaniem wizjera użytkownik może odczuwać objawy zmęczenia oczu, ogólnego zmęczenia, choroby lokomocyjnej lub nudności. W przypadku rejestrowania obrazów z wykorzystaniem wizjera wskazane są regularne przerwy.
- W przypadku uszkodzenia monitora lub wizjera elektronicznego, należy natychmiast zaprzestać korzystania z aparatu. Uszkodzone elementy mogą poranić rękę, twarz itp.

- Podczas rejestrowania zdjęć seryjnych obraz na monitorze lub w wizjerze może migać z uwagi na naprzemienne wyświetlanie czarnego ekranu i ekranu z rejestrowanym obrazem. Patrzenie na ekran w takiej sytuacji może wywoływać uciążliwe objawy i uczucie dyskomfortu. W przypadku uciążliwości objawów, należy zaprzestać używania aparatu i w razie potrzeby zasięgnąć porady lekarskiej.

- Jeżeli podczas długotrwałego nagrywania lub przesyłania strumieniowego, albo podczas nagrywania filmów 4K aparat ma kontakt z tym samym miejscem na skórze przez długi okres czasu, nawet jeśli aparat w dotyku może nie wydawać się gorący, może powodować objawy poparzenia niskotemperaturowego, na przykład w postaci zaczerwienia lub pojawienia się pęcherzy. Należy zwrócić specjalną uwagę w poniższych sytuacjach i korzystać ze statywu itp.

- W przypadku korzystania z aparatu w warunkach wysokich temperatur
- Gdy osoba korzystająca z aparatu ma problemy z krążeniem lub zaburzenia czucia
- W przypadku korzystania z aparatu przy ustawieniu [Temp. auto. wyłącz.] w pozycji [Wysoki]

Obiektywy/akcesoria Sony

Korzystanie z tego urządzenia z produktami innych marek może obniżyć jego wydajność, spowodować wypadek lub awarię.

Uwaga dotycząca pasma 5 GHz dla bezprzewodowej sieci LAN

W przypadku korzystania z funkcji bezprzewodowej sieci LAN na zewnątrz należy przestawić pasmo na 2,4 GHz, postępując zgodnie z poniższą procedurą.

- MENU →  (Sieć) → [Wi-Fi] → [Pasma częst. Wi-Fi]

Tymczasowe wyłączenie funkcji sieci bezprzewodowych (Wi-Fi itp.)

Po wejściu na pokład samolotu itp. można tymczasowo wyłączyć wszystkie funkcje sieci bezprzewodowych poleceniem [Tryb samolotowy].

Uwaga dla klientów w Europie

IEEE802.11 b/g/n	2 400 MHz	< 60 mW e.i.r.p.
IEEE802.11 a/n/ac	5 150 - 5 350 MHz 5 470 - 5 725 MHz	< 35 mW e.i.r.p.
IEEE802.11 a/n/ac	5 725 - 5 850 MHz	< 25 mW e.i.r.p.
Bluetooth	2 400 MHz	< 10 mW e.i.r.p.

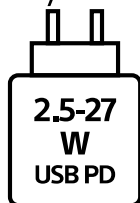
Sony Corporation niniejszym oświadcza, że to urządzenie jest zgodne z dyrektywą 2014/53/UE. Pełny tekst deklaracji zgodności UE jest dostępny pod następującym adresem internetowym: <https://www.compliance.sony.eu>

W krajach AT/BE/BG/CY/CZ/DK/EE/FI/FR/DE/EL/HU/IE/IT/LV/LT/LU/MT/NL/PL/PT/RO/SK/SI/ES/SE/UK/UK(NI)/HR/IS/LI/NO/CH/AL/BA/MK/MD/RS/ME/XK/TR w przypadku opisywanego sprzętu radiowego mają zastosowanie następujące ograniczenia dotyczące uruchamiania lub wymogi dotyczące zezwoleń na użytkowanie:

Z pasma 5 150 – 5 350 MHz można korzystać wyłącznie w pomieszczeniach.

Moc dostarczana przez ładowarkę musi wynosić między minimalnie 2,5 W wymaganych przez urządzenie radiowe a maksymalnie 27 W, aby osiągnąć maksymalną prędkość ładowania.

Szybkie ładowanie USB PD



Dane techniczne

Aparat

[System]

Typ aparatu:

Aparat cyfrowy z wymiennymi obiektywami

Obiektyw: obiektyw Sony z bagnetem E

[Przetwornik obrazu]

Format obrazu:


pełnoklatkowy 35 mm, przetwornik obrazu CMOS

Efektywna liczba pikseli aparatu: ok. 33 000 000 pikseli

Całkowita liczba pikseli aparatu: ok. 34 100 000 pikseli

[Ogólne]

Znamionowe parametry

wejściowe: 7,2 V , 3,7 W

Temperatura pracy:

od 0 do 40 °C

Temperatura przechowywania:

od -20 do 55 °C

Wymiary (szer./wys./gł.)

(orientacyjne):

124,0 × 71,1 × 63,4 mm

124,0 × 71,1 × 58,6 mm

(od uchwytu do monitora)

Masa (orientacyjna):

514 g (z akumulatorem, kartą SD)

[Sieć bezprzewodowa]

WW499972

Obsługiwany format:

IEEE 802.11 a/b/g/n/ac

Pasma częstotliwości:

2,4 GHz/5 GHz

Akumulator NP-FZ100

Napięcie znamionowe: 7,2 V 

Projekt i dane techniczne mogą zostać zmienione bez uprzedzenia.

Zgodne modele urządzeń iPhone/iPad

iPhone 14 Pro Max, iPhone 14 Pro, iPhone 14 Plus, iPhone 14, iPhone SE (3. generacji), iPhone 13 Pro Max, iPhone 13 Pro, iPhone 13, iPhone 13 mini, iPhone 12 Pro Max, iPhone 12 Pro, iPhone 12, iPhone 12 mini, iPhone SE (2. generacji), iPhone 11 Pro Max, iPhone 11 Pro, iPhone 11, iPhone XS Max, iPhone XS, iPhone XR, iPhone X, iPhone 8 Plus, iPhone 8, iPhone 7 Plus, iPhone 7, iPhone SE, iPhone 6s Plus, iPhone 6s, iPad Air (3., 4. i 5. generacji), iPad (od 5. do 10. generacji), iPad mini (6. generacji), 12,9-calowy iPad Pro (od 1. do 6. generacji), 11-calowy iPad Pro (od 1. do 4. generacji), 10,5-calowy iPad Pro, 9,7-calowy iPad Pro, iPad Air 2, iPad mini (5. generacji), iPad mini 4 (Stan na maj 2023 r.)

PL

Znaki towarowe/licencje

- **α** jest znakiem towarowym Sony Group Corporation.
- Apple, iPhone i iPad są znakami towarowymi Apple Inc. zastrzeżonymi w Stanach Zjednoczonych i innych krajach.
- USB Type-C® i USB-C® są zastrzeżonymi znakami towarowymi USB Implementers Forum.
- Wi-Fi, logo Wi-Fi i Wi-Fi Protected Setup są zastrzeżonymi znakami towarowymi lub znakami towarowymi Wi-Fi Alliance.
- Logotyp i logo Bluetooth® są zastrzeżonymi znakami towarowymi należącymi do Bluetooth SIG, Inc. i wszelkie użycie tych znaków przez Sony Group Corporation i jej oddziały odbywa się w ramach licencji.
- QR Code jest znakiem towarowym Denso Wave Inc.
- Poza tym używane w niniejszej instrukcji nazwy systemów i produktów są ogólnie znakami towarowymi lub zastrzeżonymi znakami towarowymi ich twórców lub producentów. Nie w każdym jednak przypadku symbole ™ lub ® są stosowane w niniejszej instrukcji.

- Korzystanie ze znaku Made for Apple oznacza, że dane akcesorium zaprojektowano z przeznaczeniem dla produktów Apple wyszczególnionych na oznaczeniu i uzyskało ono certyfikat producenta dotyczący zgodności z normami Apple. Firma Apple nie ponosi odpowiedzialności za działanie tego urządzenia ani jego zgodność z normami prawnymi czy normami bezpieczeństwa.

Made for

 iPhone | iPad

Dodatkowe informacje na temat urządzenia i odpowiedzi na najczęściej zadawane pytania znajdują się w naszej witrynie pomocy technicznej.

<https://www.sony.net/>

WAŻNE - przed użyciem produktu firmy Sony przeczytaj umowę licencyjną na oprogramowanie użytkownika końcowego.

Korzystanie z produktu oznacza akceptację umowy licencyjnej na oprogramowanie użytkownika końcowego. Umowa licencyjna na oprogramowanie zawarta między użytkownikiem a firmą Sony jest dostępna pod następującym adresem URL:
(https://rd1.sony.net/help/di/el23/h_zz/)

О "Справочное руководство"



Что касается подробных инструкций по использованию камеры, см. "Справочное руководство" (веб-руководство).
https://rd1.sony.net/help/ilc/2360/h_zz/

ILCE-7CM2 Справочное руководство 

Подготовка

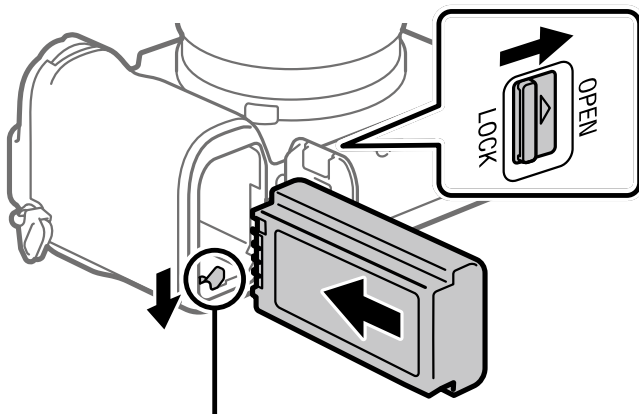
Проверка комплектации

Число в скобках указывает количество штук.

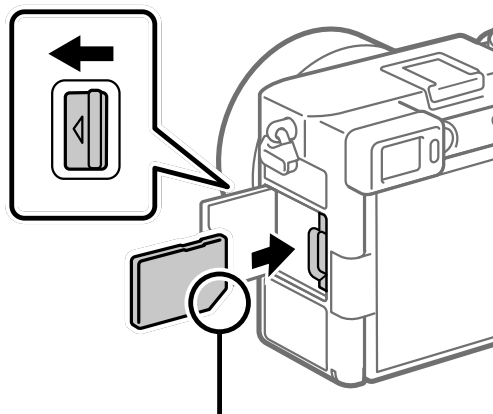
- Камера (1)
- Аккумулятор NP-FZ100 (1)
- Плечевой ремень (1)
- Крышка корпуса (1)
(прикрепляется к камере)
- Крышка разъема (1)
(прикрепляется к камере)
- Руководство по началу работы (данное руководство) (1)
- Справочник (1)

Вставка аккумулятора (прилагается)/карты памяти (продается отдельно) в камеру

Откройте крышку аккумуляторного отсека и крышку отсека карты памяти, вставьте аккумулятор/карту памяти и закройте крышки.



Нажав рычажок фиксатора, вставьте аккумулятор.

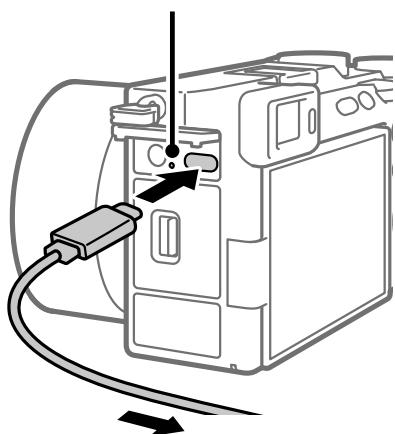


Убедитесь, что срезанный угол расположен правильно.

Данная камера совместима с картами памяти SD. При использовании карты памяти с данной камерой в первый раз отформатируйте карту с помощью камеры для обеспечения стабильной работы карты памяти.

Зарядка аккумулятора

Индикатор зарядки



К внешнему источнику питания

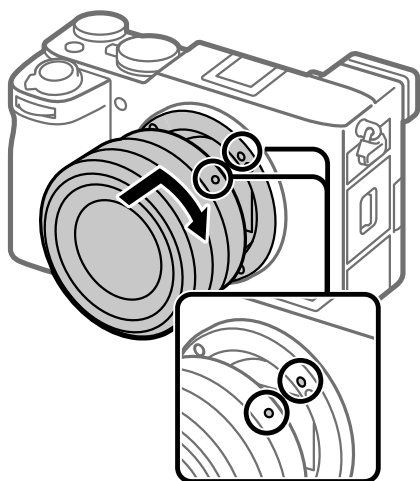
- 1 Отключите питание.**
 - Если камера включена, аккумулятор не будет заряжаться.
- 2 С помощью имеющегося в продаже кабеля USB Type-C подключите разъем USB Type-C на камере к внешнему источнику питания, например имеющемуся в продаже адаптеру переменного тока USB или переносному аккумулятору.**
 - Когда начнется зарядка, загорится индикатор зарядки. Когда зарядка завершится, индикатор зарядки погаснет.

RU

RU
3

Данная камера совместима с USB-PD (USB Power Delivery). При подключении к камере устройства, совместимого с USB-PD, возможна быстрая зарядка. Рекомендуется использовать устройство USB-PD, совместимое с выходом 9 В/3 А или 9 В/2 А.

Прикрепление объектива



Метка крепления

- 1** Установите объектив, совмещая две белые индексные метки (метки крепления) на объективе и камере.
- 2** Аккуратно задвигая объектив в камеру, поворачивайте его медленно в направлении стрелки до тех пор, пока он не защелкнется в фиксированном положении.

Выполнение начальной настройки для камеры

Установив соединение (сопряжение) Bluetooth между камерой и смартфоном, вы сможете со смартфона выполнить начальную настройку камеры, например установки даты и времени. Заранее установите на своем смартфоне специальное приложение, а затем выполните действия пунктов с **1** по **4** в “Процедуры для начальной настройки камеры”.

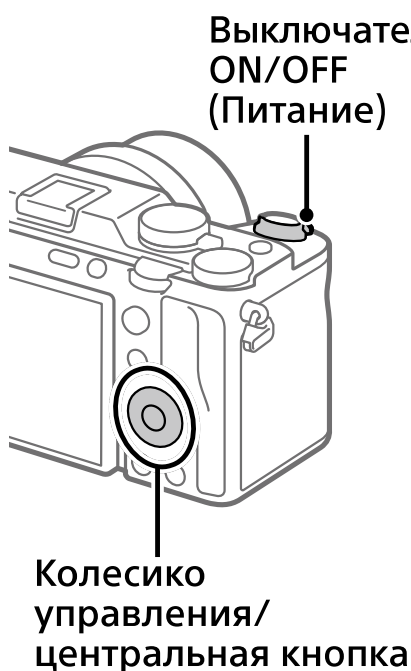
Установка специального приложения для смартфона



Установите приложение со следующего веб-сайта. Также обновите до последней версии специального приложения. Характеристики специального приложения могут быть изменены без уведомления.

<https://www.sony.net/ca/>

■ Процедуры для начальной настройки камеры



- ➊ Для включения камеры установите выключатель ON/OFF (Питание) в "ON".
- ➋ Выберите нужный язык, а затем нажмите по центру колесика управления.
 - Появится экран уведомления о конфиденциальности. Прочтите уведомление о конфиденциальности касательно биометрии, открыв ссылку с помощью смартфона и т.п.
- ➌ Нажмите по центру колесика управления.
- ➍ Следуйте инструкциям на экране камеры для подключения камеры к вашему смартфону и выполнения начальной настройки.
 - Вы также можете сконфигурировать или изменить начальные настройки позже из MENU камеры.

■ Сопряжение камеры со смартфоном позже (Подключ. смартф.)



Подробнее о методе подключения см. Справочное руководство по следующему URL-адресу:
https://rd1.sony.net/help/ilc/2360_pairing/h_zz/


Фотосъемка

Диск Фото/Видео/S&Q



Диск режимов

Кнопка затвора

- 1 Поверните и установите диск Фото/Видео/S&Q в  (Фото).
- 2 Выберите нужный режим съемки, поворачивая диск режимов.
- 3 Нажмите кнопку затвора наполовину для выполнения фокусировки.
- 4 Нажмите кнопку затвора вниз до упора.

Примечания по использованию

См. также

“Меры предосторожности” в “Справочное руководство”.

Примечания по обращению с изделием

- Не оставляйте объектив или видоискатель под воздействием сильного источника света, например солнечного света. В результате конденсации на объективе это может привести к появлению дыма, возгоранию или неисправности внутри корпуса камеры или объектива. Если нужно оставить камеру под воздействием источника света, например, солнечного света, прикрепите крышку объектива к объективу.
- Если солнечный или другой яркий свет попадет в камеру через объектив, он может сфокусироваться внутри камеры и привести к появлению дыма или возгоранию. Установите крышку объектива при хранении камеры. При съемке с подсветкой располагайтесь так, чтобы солнце находилось достаточно далеко от угла обзора. Даже если оно находится немного в стороне от угла обзора, это все же может привести к появлению дыма или возгоранию.
- Не смотрите на солнечный свет или сильный источник света через объектив, когда он отсоединен. Это может привести к необратимому повреждению глаз или стать причиной неисправности.
- Данная камера (включая аксессуары) оснащена магнитом(ами), который может влиять на работу кардиостимуляторов, программируемых шунтирующих клапанов для лечения гидроцефалии или других медицинских устройств. Не размещайте данную камеру вблизи лиц, пользующихся такими медицинскими устройствами. Проконсультируйтесь с врачом перед использованием данной камеры, если вы пользуетесь любым медицинским устройством.
- Увеличивайте громкость постепенно. Внезапные громкие шумы могут привести к повреждению органов слуха. Будьте особенно осторожны при использовании наушников.
- Не оставляйте камеру, прилагаемые принадлежности или карты памяти в месте, доступном для маленьких детей. Их можно случайно проглотить. Если это произойдет, немедленно обратитесь к врачу.
- Во время съемки с помощью видоискателя могут возникать такие симптомы, как переутомление глаз, усталость, укачивание или тошнота. При съемке с помощью видоискателя рекомендуется периодически делать перерывы.
- При повреждении монитора или электронного видоискателя немедленно прекратите использование камеры. Поврежденные части могут травмировать ваши руки, лицо и т.п.

RU

RU
7


- Во время непрерывной фотосъемки возможно мигание монитора или видеоискателя между экраном съемки и черным экраном. Если наблюдать за экраном в этой ситуации, вы можете ощущать симптомы дискомфорта, например плохое самочувствие. При возникновении симптомов дискомфорта прекратите использование камеры и обратитесь к врачу в случае необходимости.
- При длительной записи или стримминге, или же видеозаписи 4K, если во время использования камеры один и тот же участок вашей кожи касается камеры в течение длительного периода времени, даже если камера не является горячей на ощупь, это может привести к появлению симптомов низкотемпературного ожога, например покраснению или появлению волдырей. В следующих ситуациях будьте особенно осторожны и используйте штатив и т.п.
 - При использовании камеры в условиях высокой температуры
 - При использовании камеры человеком с нарушениями кровообращения или нарушенной чувствительностью кожи
 - При использовании камеры с установкой [Темп. авт.выкл.пит.] в [Высокий]

Объективы/аксессуары Sony

Использование данного аппарата с изделиями других производителей может повлиять на его характеристики и привести к несчастным случаям или неисправностям.

Примечание по полосе частот 5 ГГц для беспроводной локальной сети

При использовании функции беспроводной локальной сети вне помещения установите полосу частот 2,4 ГГц в соответствии с приведенной ниже процедурой. (только WW499972)

- MENU →  (Сеть) → [Wi-Fi] → [Диапаз.частот Wi-Fi]

Как временно отключить функции беспроводной сети (Wi-Fi и т.п.)

Находясь на борту самолета и т.п., можно временно отключить все функции беспроводной сети с помощью [Режим полета].

Для клиентов в странах ЕАЭС

Устройство предназначено только для использования в помещениях.

- Используемый стандарт: IEEE 802.11 совместимый
- Используемая частота: 5 150 – 5 350 МГц и 5 650 – 5 850 МГц

Точные диапазоны частот могут отличаться в разных странах, пожалуйста, свяжитесь с вашим местным представителем для получения точной информации.

Технические характеристики

Камера

[Система]

Тип камеры:

Цифровой фотоаппарат со сменным объективом

Объектив: объектив с

E-переходником Sony

[Датчик изображения]

Формат изображения:

полный кадр 35 мм, датчик изображения CMOS

Количество эффективных пикселей камеры:

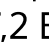
Приблиз. 33 000 000 пикселей

Общее количество пикселей камеры:

Приблиз. 34 100 000 пикселей

[Общие]

Номинальные входные

параметры: 7,2 В , 3,7 Вт

Рабочая температура:

от 0 до 40 °C

Температура хранения:

от -20 до 55 °C

Размеры (Ш × В × Г) (приблиз.):

124,0 × 71,1 × 63,4 мм

124,0 × 71,1 × 58,6 мм

(от рукоятки до монитора)

Масса (приблиз.):

514 г (включая аккумулятор, карту SD)

[Беспроводная локальная сеть]

WW499972 (см. заводскую табличку на нижней стороне камеры)

Поддерживаемый формат:

IEEE 802.11 a/b/g/n/ac

Полоса частот: 2,4 ГГц/5 ГГц

WW643958 (см. заводскую

табличку на нижней стороне камеры)


Поддерживаемый формат:

IEEE 802.11 b/g/n

Полоса частот: 2,4 ГГц

Аккумулятор NP-FZ100

Номинальное напряжение:

7,2 В 

Конструкция и технические характеристики могут быть изменены без уведомления.

Информация о гарантии

Гарантия распространяется на изделия, купленные на территории стран Таможенного союза.

Срок гарантии (лет): 2.

Срок службы (лет): 7.

При обнаружении производственных недостатков изделия в течение срока гарантии

Сони или Авторизованные Сервисные Центры (АСЦ) по своему усмотрению либо устраняют их с использованием новых или восстановленных запчастей, либо заменяют изделие аналогичным новым или восстановленным, либо возместят уплаченную стоимость. Рекомендуется сохранить документ, подтверждающий дату покупки изделия.

Для сохранения Гарантии необходимо соблюдать инструкции по использованию, хранению и транспортировке, эксплуатировать изделие только в личных и домашних целях, не подвергать модификации или неквалифицированному ремонту, не удалять этикетку с серийным номером.

Гарантия Сони не ограничивает права потребителей, установленные применимым законодательством в отношении торговли потребительскими товарами.

Служба поддержки:

Россия 8 800 200 76 67

Беларусь 8 820 0071 76 67

Казахстан 8 800 070 70 35

Другие страны +7 495 258 76 69

e-mail info@sony.ru

Адреса АСЦ:

<https://www.sony.ru/support>
(TG-01-1)

Совместимые модели iPhone/iPad

iPhone 14 Pro Max, iPhone 14 Pro, iPhone 14 Plus, iPhone 14, iPhone SE (3-е поколение), iPhone 13 Pro Max, iPhone 13 Pro, iPhone 13, iPhone 13 mini, iPhone 12 Pro Max, iPhone 12 Pro, iPhone 12, iPhone 12 mini, iPhone SE (2-е поколение), iPhone 11 Pro Max, iPhone 11 Pro, iPhone 11, iPhone XS Max, iPhone XS, iPhone XR, iPhone X, iPhone 8 Plus, iPhone 8, iPhone 7 Plus, iPhone 7, iPhone SE, iPhone 6s Plus, iPhone 6s, iPad Air (3-е, 4-е и 5-е поколение), iPad (с 5-го по 10-е поколение), iPad mini (6-е поколение), iPad Pro 12,9-дюйм. (с 1-го по 6-е поколение), iPad Pro 11-дюйм. (с 1-го по 4-е поколение), iPad Pro 10,5-дюйм., iPad Pro 9,7-дюйм., iPad Air 2, iPad mini (5-е поколение), iPad mini 4 (По состоянию на май 2023 г.)

Товарные знаки/ Лицензии

- **α** является товарным знаком Sony Group Corporation.
- Apple, iPhone и iPad являются товарными знаками Apple Inc., зарегистрированными в США и других странах.
- USB Type-C® и USB-C® являются зарегистрированными товарными знаками USB Implementers Forum.
- Wi-Fi, логотип Wi-Fi и Wi-Fi Protected Setup являются зарегистрированными товарными знаками или товарными знаками Wi-Fi Alliance.
- Текстовый символ и логотипы Bluetooth® являются зарегистрированными товарными знаками, принадлежащими Bluetooth SIG, Inc., и любое использование таких знаков корпорацией Sony Group Corporation и ее дочерними компаниями осуществляется по лицензии.
- QR Code является товарным знаком Denso Wave Inc.
- Кроме того, названия систем и изделий, используемые в данном руководстве, являются, обычно, товарными знаками или зарегистрированными товарными знаками их соответствующих разработчиков или производителей. Однако знаки ™ или ® могут использоваться не во всех случаях в данном руководстве.

ВАЖНО – Прежде чем использовать продукт Sony, прочтите Лицензионное соглашение с конечным пользователем программного обеспечения.

Использование продукта означает принятие вами Лицензионного соглашения с конечным пользователем программного обеспечения. Лицензионное соглашение о программном обеспечении между вами и Sony доступно по следующему URL-адресу:
(https://rd1.sony.net/help/di/el23/h_zz/)

- Использование значка “Изготовлено для Apple” означает, что аксессуар разработан специально для подключения к продуктам Apple, указанным в значке, и сертифицирован разработчиком на соответствие стандартам качества Apple. Apple не несет ответственности за работу этого устройства или его соответствие стандартам безопасности и нормативным требованиям.

Made for
 iPhone | iPad

RU

Дополнительная информация о данном изделии и ответы на часто задаваемые вопросы можно найти на нашем веб-сайте поддержки покупателей.

<https://www.sony.net/>

Інформація про «Довідка»



Докладні відомості з використання фотоапарата дивіться в посібнику «Довідка» (вебдовідник).

https://rd1.sony.net/help/ilc/2360/h_zz/

ILCE-7CM2 Довідка



Підготовка

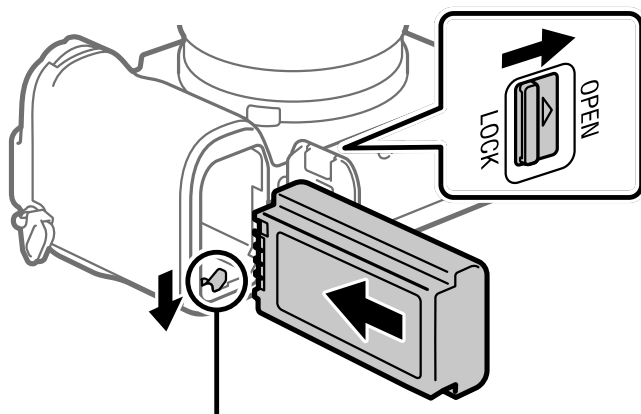
Перевірка приладдя, що додається

Число в дужках вказує на кількість штук.

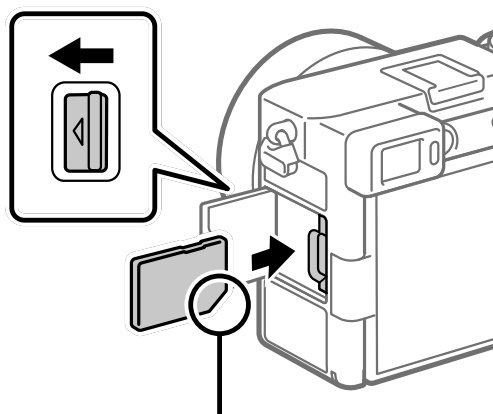
- Фотоапарат (1)
- Акумулятор NP-FZ100 (1)
- Плечовий ремінь (1)
- Кришка корпусу (1)
(установлено на фотоапараті)
- Кришка черевика (1)
(установлено на фотоапараті)
- Посібник із початку роботи (цей посібник) (1)
- Довідковий посібник (1)

Вставлення батареї (додається)/карти пам'яті (продається окремо) у фотоапарат

Відкрийте кришку відсіку для батарей і кришку відсіку для карти пам'яті, вставте батарею/карту пам'яті та закрийте кришки.



Вставте батарею, одночасно натискаючи важіль фіксатора.

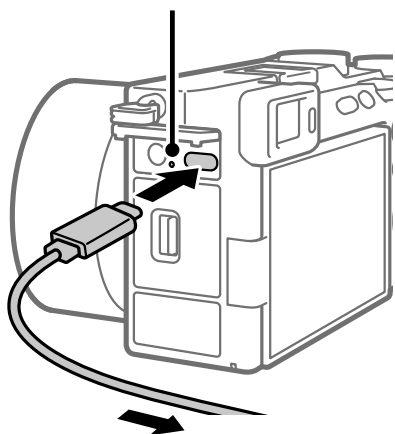


Слідкуйте, щоб надрізаний кут знаходився у правильному положенні.

Цей фотоапарат сумісний із картами пам'яті SD. Якщо карта пам'яті використовується із фотоапаратом уперше, відформатуйте її за допомогою фотоапарата, щоб забезпечити надійну роботу.

Зарядження батареї

Індикатор зарядження



До зовнішнього джерела живлення

1 Вимкніть живлення.

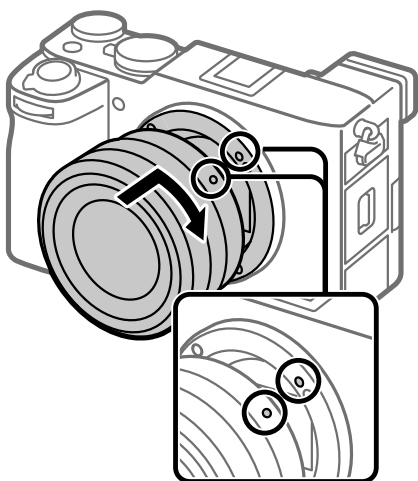
- Якщо фотоапарат увімкнено, батарея не заряджатиметься.

2 За допомогою наявного у продажу кабелю USB Type-C під'єднайте роз'єм USB Type-C на фотоапараті до зовнішнього джерела живлення, як-от до наявних у продажу USB-адаптера змінного струму або портативного акумулятора.

- Індикатор зарядження засвітиться щойно розпочнеться зарядження. Індикатор зарядження вимкнеться коли зарядження буде завершено.

Цей фотоапарат сумісний із USB-PD (швидке заряджання від USB). Якщо до фотоапарату під'єднано пристрій, сумісний із USB-PD, стає можливим швидке заряджання. Рекомендується використовувати пристрій USB-PD, що підтримує вихідну потужність 9 В/3 А або 9 В/2 А.

Встановлення об'єктива



- 1** Установіть об'єктив, вирівнявши між собою дві білі позначки (позначки встановлення) на об'єктиві та фотоапараті.
- 2** Злегка притискаючи об'єктив до фотоапарата, обертайте об'єктив у напрямку стрілки, доки він не клацне у зафіксованому положенні.

Позначки встановлення

Виконання початкового налаштування фотоапарата

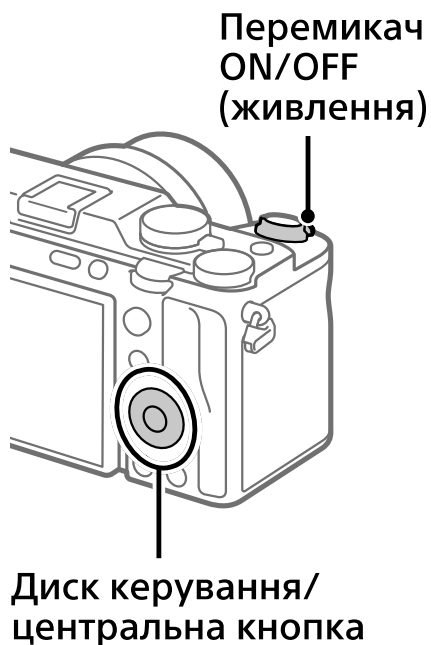
Установивши з'єднання Bluetooth між фотоапаратом і смартфоном, можна скористатися смартфоном, щоб виконати початкове налаштування фотоапарата, як-от встановити дату і час. Заздалегідь установіть на смартфоні спеціальну програму, а тоді виконайте кроки з **1** по **4** у розділі «Порядок початкового налаштування фотоапарата».

Установлення спеціальної програми для смартфона



Установіть програму з наведеного нижче вебсайта. Також оновіть спеціальну програму до останньої версії. Характеристики спеціальної програми можуть бути змінені без повідомлення.
<https://www.sony.net/ca/>

Порядок початкового налаштування фотоапарата



- 1** Щоб увімкнути фотоапарат, установіть перемикач ON/OFF (живлення) у положення «ON».
- 2** Виберіть потрібну мову, а тоді натисніть посередині диска керування.
 - З'являється екран сповіщення про конфіденційність. Прочитайте у сповіщенні про конфіденційність про збирання біометричних даних, відкривши посилання за допомогою смартфона тощо.
- 3** Натисніть посередині диска керування.
- 4** Дотримуйтесь інструкцій на екрані фотоапарата, щоб з'єднати фотоапарат зі смартфоном і виконати початкове налаштування.
 - Також можна скористатися функцією MENU фотоапарата, щоб установити чи змінити початкові параметри.

Утворення пари між фотоапаратом і смартфоном пізніше (З'єдн. зі смартфоном.)



Докладні відомості про спосіб підключення дивіться за такою URL-адресою з посібником Довідка:
https://rd1.sony.net/help/ilc/2360_pairing/h_zz/


Фотозйомка

Диск Фото/Відео/S&Q



Диск перемикавання режимів

Кнопка спуску

- 1 Поверніть та встановіть диск Фото/Відео/S&Q у положення  (Фото).
- 2 Повертаючи диск перемикавання режимів, виберіть потрібний режим зйомки.
- 3 Натисніть кнопку спуску до половини, щоб виконати фокусування.
- 4 Повністю натисніть кнопку спуску.

Примітки щодо використання

Також дивіться розділ «Застереження» в посібнику «Довідка».

Примітки щодо поводження із виробом

- Не залишайте об'єktiv або видошукач під джерелом потужного світла, як-от сонячне світло. Оскільки об'єktiv збирає світло, це може призвести до появи диму, пожежі або несправності всередині корпусу фотоапарата чи об'єктива. Якщо треба залишити фотоапарат під джерелом світла, як-от сонячне світло, встановіть на об'єktiv кришку об'єктива.
- Якщо сонячне світло або інше потужне світло потрапить у фотоапарат через об'єktiv, воно може сфокусуватися всередині фотоапарата та призвести до появи диму або пожежі. Установіть кришку об'єктива для зберігання фотоапарата. Під час зйомки з контровим освітленням слідкуйте, щоб сонце не потрапляло в поле зору. Навіть якщо сонце перебуває не в полі зору, усе одно це може призвести до появи диму або пожежі.
- Не дивіться на сонячне світло або джерело потужного світла крізь знятий об'єktiv. Це може завдати невіправної шкоди зору або призвести до несправності.
- Ця камера (включно з приладдям) містить магніт(и), які можуть перешкоджати роботі кардіостимуляторів, програмованих шунтувальних клапанів, призначених для лікування гідроцефалії, та інших медичних пристроїв. Не кладіть цю камеру поблизу людей, що використовують такі медичні пристрої. Якщо ви використовуєте будь-який з цих медичних пристроїв, проконсультуйтеся з лікарем, перш ніж починати користуватися цією камерою.
- Збільшуйте гучність поступово. Раптовий сильний шум може пошкодити вуха. Будьте особливо обережні під час прослуховування через навушники.
- Не залишайте фотоапарат, приладдя, що додається, або карти пам'яті в місцях, доступних для малих дітей. Вони можуть випадково проковтнути їх. Якщо таке трапиться, негайно зверніться до лікаря.
- Під час зйомки з використанням видошукача ви можете відчувати певний дискомфорт, наприклад перенапруження зору, втому, захитування чи нудоту. Під час зйомки з видошукачем рекомендується регулярно робити перерви.
- Якщо монітор або електронний видошукач пошкоджено, негайно припиніть користуватися фотоапаратом. Пошкоджені деталі можуть травмувати руки, обличчя тощо.

UA


- Під час безперервної фотозйомки монітор або видошукач може швидко перемикається між екраном зйомки і чорним екраном. Якщо у цей час дивитись на екран, можна відчути неприємні симптоми, як-от відчуття нудоти. Якщо з'являються неприємні симптоми, припиніть користуватися фотоапаратом і у разі потреби зверніться до лікаря.
- Якщо під час тривалої зйомки чи потокової передачі або під час зйомки відео 4K тривалий час торкатись фотоапарата однією ділянкою шкіри, то навіть якщо фотоапарат не здається гарячим, можливі симптоми низькотемпературного опіку, як-от почервоніння або утворення пухирів. Будьте особливо уважні у наведених нижче ситуаціях і використовуйте штатив тощо.
 - Під час використання фотоапарата у середовищі з високою температурою
 - Якщо фотоапаратом користується особа з поганим кровообігом або порушеною чутливістю шкіри
 - Якщо під час використання фотоапарата параметр [Темп.авт.вимк.жив.] має значення [Високий]

Об'єктиви/аксесуари Sony

Використання цього апарата з виробами інших виробників може вплинути на його характеристики та призвести до нещасних випадків або несправностей.

Примітка щодо використання частотного діапазону 5 ГГц для бездротової локальної мережі

Під час використання функції бездротової локальної мережі надворі встановіть діапазон 2,4 ГГц, виконавши наведені нижче дії.

- MENU →  (Мережа) → [Wi-Fi] → [Діапаз. частот Wi-Fi]

Тимчасове вимкнення функцій бездротової мережі (Wi-Fi тощо)

У разі посадки в літак тощо можна тимчасово вимкнути всі функції бездротової мережі за допомогою функції [Режим польоту].

Справжнім Соні Корпорейшн заявляє, що Цифрова камера зі змінним об'єктивом т.м. SONY моделі ILCE-7CM2 відповідає Технічному регламенту радіообладнання; повний текст декларації про відповідність доступний на веб-сайті за такою адресою: <http://www.compliance.sony.ua/>

Інформація для споживачів в Україні

Стандарт зв'язку (мережі, інтерфейсу передавання даних)	Смуга радіочастот, в якій працює (передавання / приймання)	Максимальна потужність випромінювання у зазначених смугах радіочастот
IEEE 802.11 b/g/n	2 400-2 483,5 МГц	100 мВт
IEEE802.11 a/n/ac	5 150-5 350 МГц 5 470-5 725 МГц	35 мВт
IEEE802.11 a/n/ac	5 725-5 850 МГц	25 мВт
Bluetooth IEEE 802.15.1	2 400-2 483,5 МГц	10 мВт

Технічні характеристики

Фотоапарат

[Система]

Тип фотоапарата:

Цифрова камера зі змінним об'єктивом

Об'єктив: Sony з E-перехідником

[Датчик зображення]

Формат зображення:

35 мм повнокадровий, датчик зображення CMOS

Кількість ефективних пікселів фотоапарата:

прибл. 33 000 000 пікселів

Загальна кількість пікселів фотоапарата:

прибл. 34 100 000 пікселів

[Загальні відомості]

Номінальна вхідна потужність:

7,2 В , 3,7 Вт

Робоча температура:

від 0 до 40 °C

Температура зберігання:

від -20 до 55 °C

Розміри (Ш/В/Г) (прибл.):

124,0 × 71,1 × 63,4 мм

124,0 × 71,1 × 58,6 мм

(від ручки до монітора)

Маса (прибл.):

514 г (з батареєю та картою SD)

[Бездротова локальна мережа]

WW499972

Підтримуваний формат:

IEEE 802.11 a/b/g/n/ac

Частотний діапазон: 2,4 ГГц/5 ГГц

Акумулятор NP-FZ100

Номінальна напруга: 7,2 В 

Конструкція і технічні характеристики можуть бути змінені без повідомлення.

Інформація про гарантію

Гарантія поширюється на вироби, придбані на території України.

Термін гарантії (років): 2.

Термін служби (років): 7.

При виявленні виробничих недоліків виробу протягом терміну гарантії Соні або Уповноважений центр з обслуговування «Соні» (УЦО) на свій розсуд або усунуть їх з використанням нових або відновлених запчастин, або замінять виріб аналогічним новим або відновленим, або відшкодують сплачену вартість. Рекомендується зберегти документ, який підтверджує дату купівлі виробу.

Для збереження Гарантії необхідно дотримуватися інструкції по використанню, зберіганню і транспортуванню, експлуатувати виріб лише в особистих і домашніх цілях, не піддавати модифікації або некваліфікованому ремонту, не видаляти етикетку з серійним номером.

Гарантія Соні не обмежує права споживачів, встановлені чинним законодавством щодо торгівлі споживчими товарами.

Служба підтримки:

Україна 0 800 307 669

e-mail info@sony.ua

Адреси УЦО:

<https://www.sony.ua/support>
(TG-01-1)

UA

UA
9

Сумісні моделі iPhone/iPad

iPhone 14 Pro Max, iPhone 14 Pro, iPhone 14 Plus, iPhone 14, iPhone SE (3 покоління), iPhone 13 Pro Max, iPhone 13 Pro, iPhone 13, iPhone 13 mini, iPhone 12 Pro Max, iPhone 12 Pro, iPhone 12, iPhone 12 mini, iPhone SE (2 покоління), iPhone 11 Pro Max, iPhone 11 Pro, iPhone 11, iPhone XS Max, iPhone XS, iPhone XR, iPhone X, iPhone 8 Plus, iPhone 8, iPhone 7 Plus, iPhone 7, iPhone SE, iPhone 6s Plus, iPhone 6s, iPad Air (3, 4 та 5 покоління), iPad (з 5 по 10 покоління), iPad mini (6 покоління), iPad Pro 12,9-дюйма (з 1 по 6 покоління), iPad Pro 11-дюймів (з 1 по 4 покоління), iPad Pro 10,5-дюйма, iPad Pro 9,7-дюйма, iPad Air 2, iPad mini (5 покоління), iPad mini 4 (Станом на травень 2023 р.)

Товарні знаки/ліцензії

- **α** є товарним знаком компанії Sony Group Corporation.
- Apple, iPhone та iPad є товарними знаками Apple Inc., зареєстрованими в США та інших країнах.
- USB Type-C® та USB-C® є зареєстрованими товарними знаками USB Implementers Forum.
- Wi-Fi, логотип Wi-Fi та Wi-Fi Protected Setup є зареєстрованими товарними знаками або товарними знаками Wi-Fi Alliance.

- Словесний товарний знак і логотипи Bluetooth® є зареєстрованими товарними знаками, що належать Bluetooth SIG, Inc., і будь-яке використання таких знаків компанією Sony Group Corporation та її дочірніми компаніями здійснюється за ліцензією.
- QR Code є товарним знаком компанії Denso Wave Inc.
- Крім того, назви систем та виробів, які використовуються у цьому посібнику, як правило, є товарними знаками або зареєстрованими товарними знаками відповідних розробників чи виробників. Проте знаки™ або® можуть використовуватися у цьому посібнику не в усіх випадках.

ВАЖЛИВО – Прочитайте ліцензійну угоду з кінцевим користувачем програмного забезпечення, перш ніж користуватися виробом Sony.

Використання виробу означає вашу згоду з ліцензійною угодою з кінцевим користувачем програмного забезпечення. Ліцензійна угода на програмне забезпечення між вами та Sony доступна за такою URL-адресою: (https://rd1.sony.net/help/di/el23/h_zz/)

- Використання мітки "Виготовлено для Apple" означає, що аксесуар розроблено спеціально для під'єднання до продуктів Apple, вказаних в мітці, і сертифіковано розробником на відповідність стандартам якості Apple. Apple не несе відповідальності за роботу цього пристрою або його відповідність стандартам безпеки та нормативним вимогам.

Made for
 iPhone | iPad

Додаткову інформацію стосовно цього виробу та відповіді на типові запитання можна знайти на вебсайті служби підтримки споживачів.

<https://www.sony.net/>

Om "Hjälpguide"



Se "Hjälpguide" (webbmanual) för detaljerade anvisningar om användning av kameran.

https://rd1.sony.net/help/ilc/2360/h_zz/

ILCE-7CM2 Hjälpguide



Förberedelser

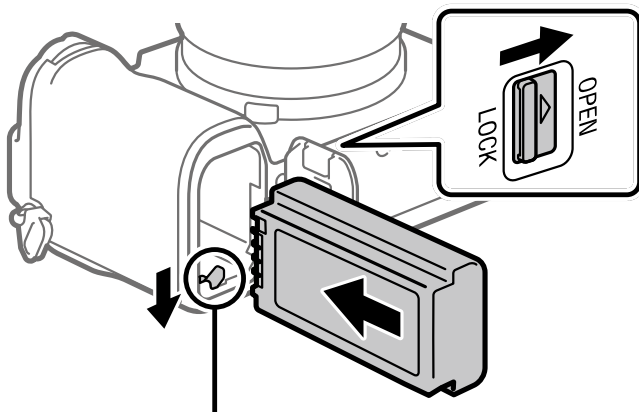
Kontroll av de medföljande tillbehören

Siffrorna inom parentes anger antalet delar.

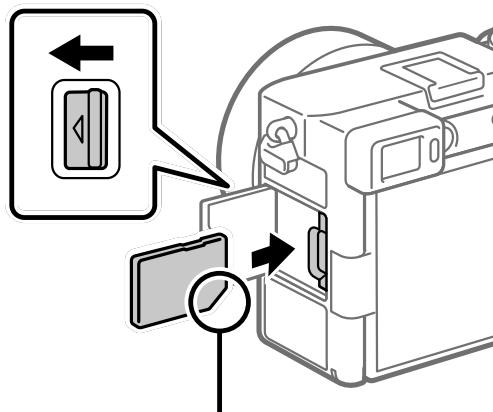
- Kamera (1)
- Skoskydd (1) (monterat på kameran)
- Uppladdningsbart batteripaket NP-FZ100 (1)
- Startguide (den här bruksanvisningen) (1)
- Axelrem (1)
- Referensmaterial (1)
- Husskydd (1) (monterat på kameran)

Sätta i batteripaketet (medföljer)/minneskortet (säljs separat) i kameran

Öppna locket till batterifacket och locket till minneskortfacket, sätt i batteriet/minneskortet och stäng locken.



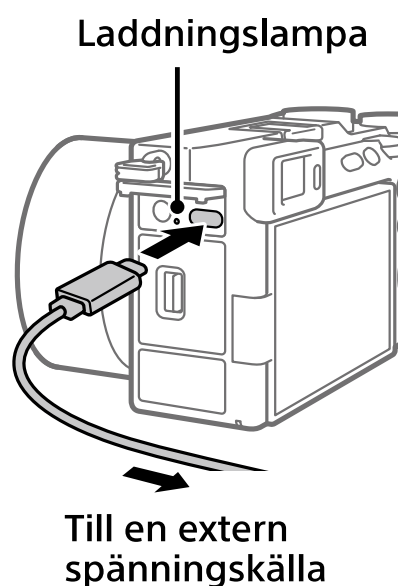
För in batteripaketet medan du trycker på låsvredet.



Kontrollera att det fasade hörnet är vänt åt rätt håll.

I denna kamera kan SD-minneskort användas. Den allra första gången ett minneskort används i den här kameran bör du formatera det i kameran för att det sedan ska fungera mer stabilt.

Uppladdning av batteripaketet

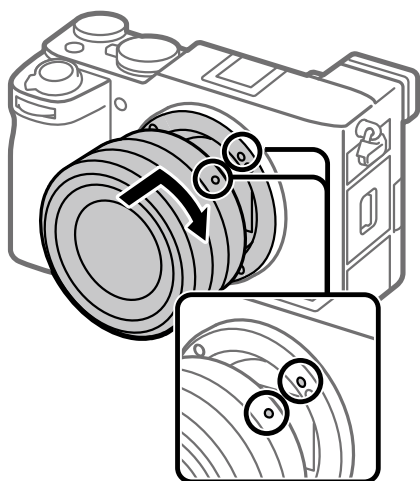


- 1 Stäng av kameran.**
 - Om kameran är påslagen laddas inte batteripaketet upp.
- 2 Använd en kommersiellt tillgänglig USB Type-C-kabel och anslut USB Type-C-kontakten på kameran till en extern spänningskälla, t.ex. en kommersiellt tillgänglig USB AC-adapter eller ett kommersiellt tillgängligt externt batteri.**
 - Laddningslampan tänds och uppladdningen startar. När lampan släcks är uppladdningen klar.

SE

Denna kamera är kompatibel med USB-PD (USB Power Delivery). När en enhet som är kompatibel med USB-PD ansluts till kameran går det att använda funktionen snabbladdning. Vi rekommenderar att du använder en USB-PD-enhet som är kompatibel med en uteffekt på 9 V/3 A eller 9 V/2 A.

Montering av ett objektiv



Monteringsmärken

- 1** Montera objektivet genom att passa in de båda vita indexmärkena (monteringsmärkena) på objektivet och kameran.
- 2** Håll objektivet lätt tryckt mot kameran och vrid det långsamt i pilens riktning tills det klickar till i låst läge.

Göra inledande inställningar på kameran

Genom att upprätta en Bluetooth-anslutning (parkoppling) mellan kameran och en smartmobil kan du göra inledande kamerainställningar som till exempel inställningar för datum och tid från smartmobilen. Installera den därför avsedda applikationen på din smartmobil i förväg och följ sedan stegen **1** till **4** under "Förfaranden för inledande kamerainställning".

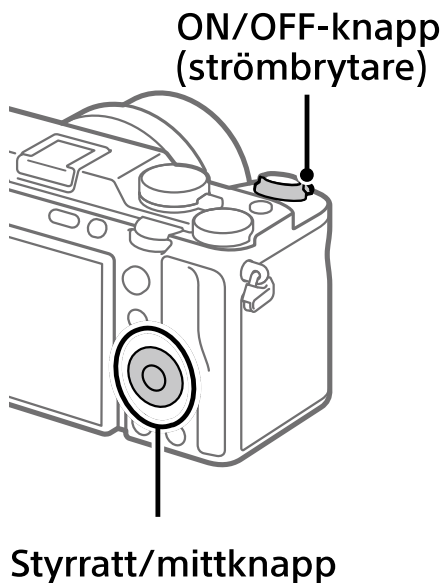
Installation av den därför avsedda smartmobilapplikationen



Installera appen från följande webbplats. Uppdatera dessutom till den senaste versionen av den avsedda appen. Specifikationerna för den avsedda appen kan ändras utan föregående meddelande.

<https://www.sony.net/ca/>

■ Förfaranden för inledande kamerainställning



- 1 Ställ in knappen ON/OFF (strömbrytare) på "ON" för att slå på kameran.
- 2 Välj önskat språk och tryck sedan i mitten på styrratten.
 - Skärmen med information om integritetsskydd visas. Läs informationen om integritetsskydd gällande biometri genom att öppna länken med din smartmobil eller liknande.
- 3 Tryck i mitten på styrratten.
- 4 Följ anvisningarna på kameraskärmen för att ansluta kameran till din smartmobil och utföra inledande inställningar.
 - Du kan även konfigurera eller ändra de inledande inställningarna senare från kamerans MENU.

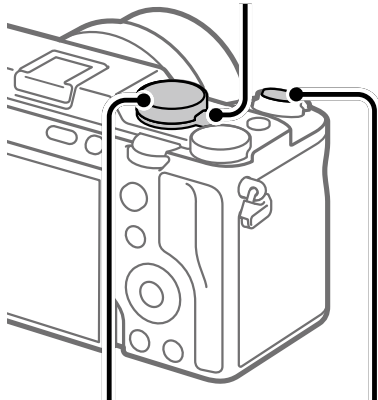
■ Parkoppla kameran med din smartmobil senare (Smartphone-anst.)



Se följande webbadress Hjälpguide för mer information om anslutningsmetoden:
https://rd1.sony.net/help/ilc/2360_pairing/h_zz/


Tagning av stillbilder

Stillbild/film/S&Q-ratt



Lägesomkopplare

Avtryckare

- 1 Vrid och ställ in stillbild/film/S&Q-ratten till  (stillbild).
- 2 Välj önskat tagningsläge genom att vrida på lägesomkopplaren.
- 3 Tryck ner avtryckaren halvvägs för att ställa in skärpan.
- 4 Tryck ner avtryckaren hela vägen.

Att observera vid användningen

Se även avsnittet "Försiktighetsåtgärder" i kamerans "Hjälpguide".

Att observera vid hantering av produkten

- Undvik att utsätta objektivet eller sökaren för solljus eller andra starka ljuskällor. Eftersom objektivet koncentrerar ljusstrålarna kan det leda till rökutveckling, brand, eller fel inuti kameran eller objektivet. Sätt på linsskyddet på objektivet om det är nödvändigt att lägga kameran i solen eller i annan stark belysning.
- Om det kommer in solljus eller annat starkt ljus i kameran genom objektivet kan ljuset fokuseras inuti kameran och orsaka rök eller brand. Sätt på linsskyddet när du inte ska använda kameran. Håll solen tillräckligt långt borta från siktinkeln när du tar bilder i motljus. Även om den inte är precis i siktinkeln kan det ändå hända att rök eller brand uppstår.
- Titta aldrig rakt mot solen eller en stark lampa genom ett avtaget objektiv. Det kan leda till såväl obotliga ögonskador som fel på objektivet.
- Denna kamera (inklusive tillbehör) innehåller en eller flera magneter som kan påverka pacemakers, programmerbara shuntventiler för vattenskallebehandling, eller annan medicinsk utrustning. Placera inte denna kamera i närheten av personer som använder sådan medicinsk utrustning. Rådfråga en läkare innan du använder denna kamera om du själv använder sådan medicinsk utrustning.
- Öka volymen gradvis. Plötsliga höga ljud kan skada dina öron. Var särskilt försiktig när du lyssnar med hörlurar.
- Lägg inte kameran, medföljande tillbehör eller minneskort inom räckhåll för små barn. Barnen kan råka svälja dem. Om detta skulle inträffa så kontakta genast läkare.
- Vid tagning med hjälp av sökaren kan det hända att man upplever symptom som ögonansträngning, trötthet, åksjuka eller illamående. Vi rekommenderar att du tar en paus med jämna mellanrum vid tagning med hjälp av sökaren.
- Sluta genast använda kameran om bildskärmen eller den elektroniska sökaren blir skadad. De trasiga delarna kan orsaka skador på händerna, i ansiktet, osv.
- Vid kontinuerlig tagning av stillbilder kan det hända att bildskärmen eller sökaren blinkar mellan tagningsskärmen och en svart skärm. Om man fortsätter titta på skärmen i det läget kan det leda till illamående eller andra obehagliga känslor. Om du upplever sådana obehagliga symptom, så sluta använda kameran och rådfråga vid behov en läkare.

- Om samma del av huden ligger an mot kameran under lång tid vid inspelning eller strömning under lång tid eller vid inspelning av 4K-filmer kan det leda till symptom på lågtemperatursbrännskador som hudrodnad eller blåsbildning, även om inte kameran känns särskilt varm. Var speciellt försiktig i följande fall, och använd om möjligt ett stativ eller liknande.
 - När kameran används på platser med hög temperatur
 - När kameran används av en person med dålig blodcirkulation eller nedsatt hudkänslighet
 - När kameran används med inställningen [Auto tempavstäng.] satt till [Hög]

Sony objektiv/tillbehör

Användning av denna enhet med produkter från andra tillverkare kan påverka dess prestanda, vilket leder till olyckor eller funktionsfel.

Att observera angående 5 GHz-bandet för trådlösa nätverk

Ställ in bandet på 2,4 GHz på nedanstående sätt när du använder den trådlösa nätverksfunktionen utomhus.

- MENU →  (Nätverk) → [Wi-Fi] → [Frekvensband Wi-Fi]

Stänga av funktionerna för trådlöst nätverk (Wi-Fi osv.) tillfälligt

När du går ombord på ett flygplan osv. kan du stänga av alla funktioner för trådlöst nätverk tillfälligt med [Flygplansläge] på kameran.

För kunder i Europa

IEEE802.11 b/g/n	2 400 MHz	< 60 mW e.i.r.p.
IEEE802.11 a/n/ac	5 150 - 5 350 MHz 5 470 - 5 725 MHz	< 35 mW e.i.r.p.
IEEE802.11 a/n/ac	5 725 - 5 850 MHz	< 25 mW e.i.r.p.
Bluetooth	2 400 MHz	< 10 mW e.i.r.p.

Härmed försäkrar Sony Corporation att denna utrustning överensstämmer med direktiv 2014/53/EU.

Den fullständiga texten till EU-försäkran om överensstämmelse finns på följande webbadress:

<https://www.compliance.sony.eu>

För denna radioutrustning gäller följande användningsrestriktioner eller auktoriseringskrav för användning i AT/BE/BG/CY/CZ/DK/EE/FI/FR/DE/EL/HU/IE/IT/LV/LT/LU/MT/NL/PL/PT/RO/SK/SI/ES/SE/UK/UK(NI)/HR/IS/LI/NO/CH/AL/BA/MK/MD/RS/ME/XK/TR:

5 150 – 5 350 MHz-bandet är begränsat till inomhusbruk.

Den effekt som levereras av laddaren måste ligga mellan minst 2,5 watt och maximalt 27 watt, vilket krävs för att ladda radioutrustningen i högsta laddningshastighet.

USB PD-snabbladdning



Tekniska data

Kamera

[System]

Kameratyp:

Digitalkamera med utbytbart objektiv

Objektiv: Sony-objektiv med E-fattning

[Bildsensor]

Bildformat:

35 mm fullt format,
CMOS-bildsensor


Effektivt antal bildpunkter på kameran:

Ca 33 000 000 bildpunkter

Totalt antal bildpunkter på kameran:

Ca 34 100 000 bildpunkter

[Allmänt]

Märkinspänning: 7,2 V , 3,7 W

Användningstemperatur:

0 till 40 °C

Förvaringstemperatur:

-20 till 55 °C

Mått (B/H/D) (ca.):

124,0 × 71,1 × 63,4 mm

124,0 × 71,1 × 58,6 mm

(från handgrepp till bildskärm)

Vikt (ca.):

514 g (inklusive batteripaket,
SD-kort)

[Trådlöst nätverk]

WW499972

Stödda format:

IEEE 802.11 a/b/g/n/ac

Frekvensband: 2,4 GHz/5 GHz

Uppladdningsbart batteripaket NP-FZ100

Märkspänning: 7,2 V 

Rätt till ändring av design och specifikationer förbehålles.

Kompatibla iPhone/iPad-modeller

iPhone 14 Pro Max, iPhone 14 Pro, iPhone 14 Plus, iPhone 14, iPhone SE (3:e generation), iPhone 13 Pro Max, iPhone 13 Pro, iPhone 13, iPhone 13 mini, iPhone 12 Pro Max, iPhone 12 Pro, iPhone 12, iPhone 12 mini, iPhone SE (2:a generation), iPhone 11 Pro Max, iPhone 11 Pro, iPhone 11, iPhone XS Max, iPhone XS, iPhone XR, iPhone X, iPhone 8 Plus, iPhone 8, iPhone 7 Plus, iPhone 7, iPhone SE, iPhone 6s Plus, iPhone 6s, iPad Air (3:e, 4:e och 5:e generation), iPad (5:e till 10:e generation), iPad mini (6:e generation), iPad Pro 12,9 tum (1:a till 6:e generation), iPad Pro 11 tum (1:a till 4:e generation), iPad Pro 10,5 tum, iPad Pro 9,7 tum, iPad Air 2, iPad mini (5:e generation), iPad mini 4
(Från och med maj 2023)

SE

Varumärken/licenser

- **α** är ett varumärke som tillhör Sony Group Corporation.
- Apple, iPhone och iPad är varumärken som tillhör Apple Inc. och är registrerade i USA och andra länder.
- USB Type-C® och USB-C® är registrerade varumärken som tillhör USB Implementers Forum.
- Wi-Fi, Wi-Fi-logotypen och Wi-Fi Protected Setup är registrerade varumärken eller varumärken som tillhör Wi-Fi Alliance.
- Ordmärket Bluetooth® och motsvarande logotyper är registrerade varumärken som tillhör Bluetooth SIG, Inc. och all användning av dessa märken av Sony Group Corporation och dess dotterbolag sker på licens.
- QR Code är ett varumärke som tillhör Denso Wave Inc.
- Även övriga system- och produktnamn som omnämns i denna bruksanvisning är i regel varumärken eller registrerade varumärken som tillhör respektive utvecklare eller tillverkare. Symbolerna ™ och ® har dock i regel utelämnats i denna bruksanvisning.

VIKTIGT - Läs igenom programvarans slutanvändaravtal innan du använder din Sony-produkt.

Genom att använda din produkt innebär det att du godkänner programvarans slutanvändaravtal. Licensavtalet för programvaran mellan dig och Sony finns på följande webbadress:
(https://rd1.sony.net/help/di/el23/h_zz/)

- Märknigen Made for Apple betyder att ett tillbehör har utformats för att anslutas specifikt till den eller de Apple-produkter som identifieras i märknigen, och har certifierats av utvecklaren att uppfylla Apple prestandastandarder. Apple ansvarar inte för funktionen i denna enhet eller dess överensstämmelse med säkerhets- och regleringsstandarder.

Made for
 iPhone | iPad

Ytterligare information om den här produkten och svar på vanliga frågor finns på vår kundtjänsts webbsida.

<https://www.sony.net/>

Tietoa "Käyttöopas"-julkaisusta



Lisätietoa kameran käyttämisestä on "Käyttöopas"-julkaisussa (web-opas).
https://rd1.sony.net/help/ilc/2360/h_zz/

ILCE-7CM2 Käyttöopas



Valmistelut

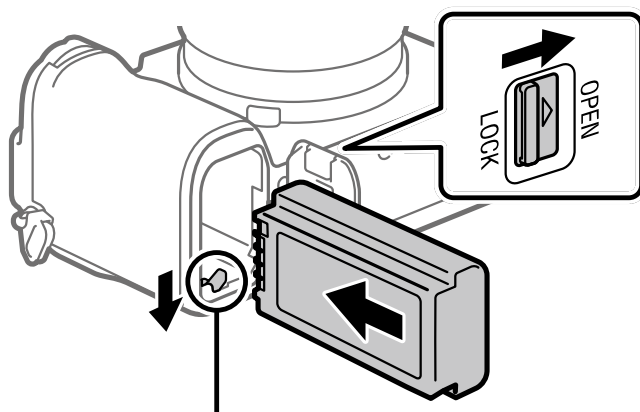
Mukana tulleiden varusteiden tarkastaminen

Sulkeissa oleva numero osoittaa kappalemäärän.

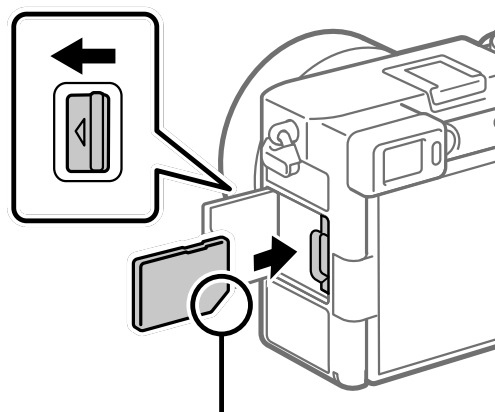
- Kamera (1)
- Ladattava akku NP-FZ100 (1)
- Olkahihna (1)
- Runkosuoja (1) (kiinnitetty kameraan)
- Kengän suojus (1) (kiinnitetty kameraan)
- Aloitusopas (tämä opas) (1)
- Viiteopas (1)

Akun (mukana)/muistikortin (myydään erikseen) asettaminen kameraan

Avaa akun kansi ja muistikortin kansi, aseta akku/muistikortti ja sulje kannet.



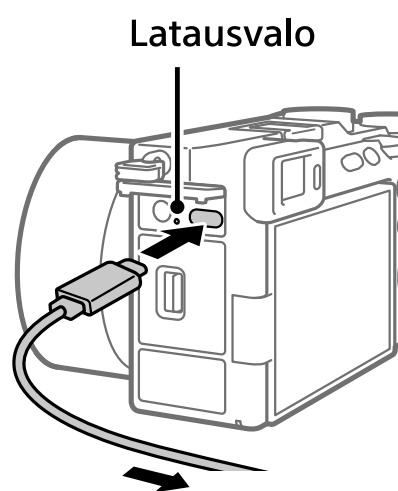
Aseta akku samalla, kun painat lukitusvipua.



Varmista, että lovettu kulma osoittaa oikeaan suuntaan.

Tämä kamera on yhteensopiva SD-muistikorttien kanssa. Kun käytät muistikorttia tässä kamerassa ensimmäistä kertaa, alusta muistikortti kameraa käyttämällä, jotta se toimii varmasti oikein.

Akun lataaminen



Ulkoiseen virtalähteeseen

1 Kytke virta pois.

- Jos kamera on kytketty päälle, akku ei lataudu.

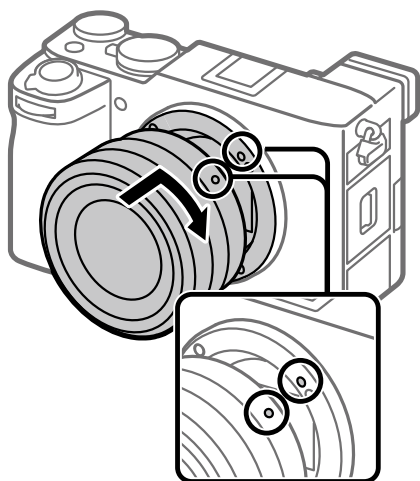
2 Käytettäessä kauposta saatavilla olevaa USB Type-C -kaapelia, liitä kameran USB Type-C -liitin ulkoiseen virtalähteeseen, kuten kauposta saatavilla olevaan USB-vaihtovirtasovittimeen tai mobiililaitteen akkuun.

- Latausvalo syttyy, kun lataus alkaa. Latausvalo sammuu, kun lataus on valmis.

FI

Tämä kamera on yhteensopiva USB-PD:n (USB Power Delivery) kanssa. Kun USB-PD-virtalähteen kanssa yhteensopiva laite yhdistetään kameraan, nopea lataus on mahdollista. Suosittelemme käyttämään USB-PD-laitetta, joka on yhteensopiva tehon 9 V/3 A tai 9 V/2 A kanssa.

Objektiivin kiinnittäminen



Kiinnitinindeksit

- 1** Kiinnitä objektiivi kohdistamalla kaksi objektiivissa ja kamerassa olevaa valkoista merkkiä (kiinnitinindeksiä).
- 2** Työnnä objektiivia kevyesti kameraan päin ja käännä sitä hitaasti nuolen suuntaan, kunnes se lukittuu paikalleen.

Kameran alkuasetusten tekeminen

Kun muodostat Bluetooth-yhteyden (pariliitoksen) kameras ja älypuhelimien välille, voit tehdä kameras alkuasetukset, kuten päivämäärän ja kellonajan asetukset, älypuhelimella. Asenna erillinen sovellus älypuhelimellesi etukäteen ja noudata sitten vaihteita **1**–**4** kohdasta "Kameras alkuasetusten tekeminen".

Erillisen älypuhelinsovelluksen asentaminen

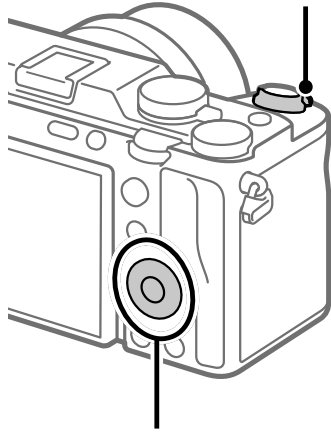


Asenna sovellus seuraavalta verkkosivulta. Päivitä erillinen sovellus myös uusimpaan versioon. Erillisen sovelluksen tietoja voidaan muuttaa ilman eri ilmoitusta.

<https://www.sony.net/ca/>

Kameran alkuasetusten tekeminen

ON/OFF (Virta) -kytkin



Kiekkopainike/
keskipainike

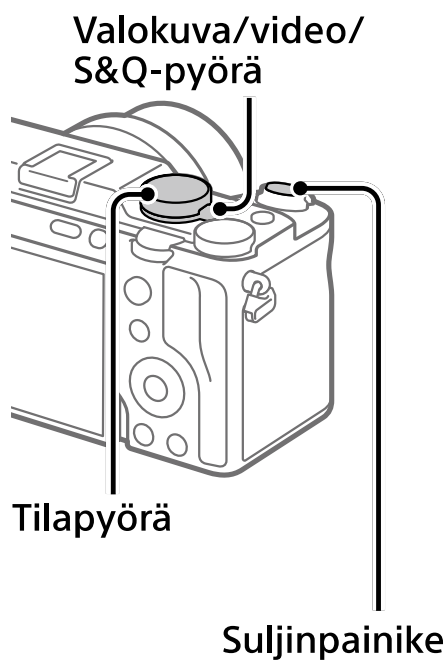
- 1 Kytke virta kameraan asettamalla ON/OFF (Virta) -kytkin asentoon "ON".**
- 2 Valitse haluttu kieli ja paina sitten kiekkopainikkeen keskiötä.**
 - Näyttöön tulee tietosuojailmoitus. Lue biometrisia tietoja koskeva tietosuojailmoitus avaamalla linkki älypuhelimella tms.
- 3 Paina kiekkopainikkeen keskiötä.**
- 4 Yhdistä kamera älypuheliimeen ja tee alkuasetukset noudattamalla kameran näytön ohjeita.**
 - Voit myös määrittää tai muuttaa alkuasetuksia myöhemmin kameran kohdasta MENU.

Kameran ja älypuhelimien välisen pariliitoksen muodostaminen myöhemmin (Älypuhelin-yhteys)



Lisätietoja yhdistämismenetelmästä on seuraavassa Käyttöopas URL-osoitteessa:
https://rd1.sony.net/help/ilc/2360_pairing/h_zz/

Valokuvien kuvaaminen



- 1 Käännä ja aseta Valokuva/
video/S&Q-pyörä asentoon
📷 (Valokuva).
- 2 Valitse haluamasi kuvaustila
kääntämällä tilapyörää.
- 3 Tarkenna painamalla suljinpainike
puoliväliin.
- 4 Paina suljinpainike täysin pohjaan.

Käyttöön liittyviä huomautuksia

Lue myös "Varotoimia"-kohta "Käyttöopas"-julkaisusta.

Tuotteen käsittelyä koskevia huomautuksia

- Älä altista objektiivia tai etsintä voimakkaalle valonlähteelle, kuten auringonvalolle. Objektiivin tihennystoiminnon takia siitä voi seurata savua, tulipalo tai toimintahäiriö kameran rungon tai objektiivin sisällä. Jos kamera täytyy jättää alttiiksi valonlähteelle, kuten auringonvalolle, kiinnitä objektiivinsuojus objektiiviin.
- Jos auringonvalo tai muu voimakas valonlähde pääsee kameraan objektiivin läpi, se voi tarkentua kameran sisälle ja aiheuttaa savua tai tulipalon. Kiinnitä objektiivinsuojus, kun kameraa ei käytetä. Kun otat kuvia vastavalossa, pidä aurinko riittävän kaukana katselukulmasta. Vaikka se olisi hieman katselukulman ulkopuolella, se voi silti aiheuttaa savua tai tulipalon.
- Älä katso kohti aurinkoa tai muuta voimakasta valonlähdettä irrotetun objektiivin läpi. Seurauksena voi olla silmien korvaamattomia vaurioita tai toimintahäiriö.
- Tässä kamerassa (lisävarusteet mukaan lukien) on magneetteja, jotka voivat häiritä tahdistimia, hydrokefalian hoitoon tarkoitettuja ohjelmoitavia sunttiventtiileitä tai muita lääketieteellisiä laitteita. Älä sijoita tätä kameraa lähelle henkilöitä, jotka käyttävät tällaisia lääketieteellisiä laitteita. Neuvottele lääkärin kanssa ennen tämän kameran käyttämistä, jos käytät jotain tällaista lääketieteellistä laitetta.
- Lisää äänenvoimakkuutta asteittain. Äkilliset kovat äänet voivat vaurioittaa kuuloasi. Ole erityisen varovainen, kun käytät kuulokkeita.
- Älä jätä kameraa, sen mukana toimitettuja tarvikkeita tai muistikortteja pikkulasten ulottuville. Ne voidaan nielaista vahingossa. Jos näin tapahtuu, ota välittömästi yhteyttä lääkäriin.
- Etsimen kanssa kuvattaessa voi esiintyä oireita, kuten silmien rasittumista, väsymistä, matkapahoinvointia tai pahoinvointia. On suositeltavaa pitää tauko säännöllisin väliajoin, kun kuvataan etsimen kanssa.
- Jos monitori tai elektroninen tähtäin on vaurioitunut, lopeta kameran käyttäminen välittömästi. Vahingoittuneet osat voivat vahingoittaa käsiäsi, kasvojasi jne.
- Valokuvien jatkuvan kuvauksen aikana monitori tai etsin saattaa välkkyä kuvausnäytön ja mustan näytön välillä. Jos jatkat näytön katselua tällaisessa tilanteessa, saatat kokea epämiellyttäviä oireita, kuten huonovointisuutta. Jos koet epämiellyttäviä oireita, lopeta kameran käyttäminen ja ota tarvittaessa yhteyttä lääkäriin.


- Kun tallennat tai suoratoistat pitkiä aikoja tai tallennat 4K-videoita ja sama ihon osa koskettaa kameraa pitkään kameraa käytettäessä, vaikka kamera ei tuntuisi kuumalta, se voi aiheuttaa alhaisen lämpötilan palovammoja, kuten punoitusta tai rakonmuodostusta. Kiinnitä erityistä huomiota seuraaviin tilanteisiin ja käytä kolmijalkaa tms.
 - Kameraa käytetään ympäristössä, jonka lämpötila on korkea
 - Kameraa käyttää henkilö, jolla on heikentynyt verenkierto tai huono tuntoaisti ihossa
 - Kameraa käytetään, kun [Autom. samm.lämpö] -asetukseksi on valittu [Korkea]

Sony-linssit/-lisävarusteet

Tämän laitteen käyttäminen muiden valmistajien tuotteiden kanssa saattaa vaikuttaa tuotteen toimivuuteen, mikä voi johtaa vikoihin tai toimintahäiriöihin.

Huomautus WLAN-verkon 5 GHz:n kaistasta

Kun WLAN-toimintoa käytetään ulkona, aseta kaistaksi 2,4 GHz noudattamalla alla olevia ohjeita.

- MENU →  (Verkko) → [Wi-Fi] → [Wi-Fi-taajuuskaista]

Langattomien verkkotoimintojen (Wi-Fi ym.) poistaminen käytöstä tilapäisesti

Kun nouse lentokoneeseen tms., voit poistaa kaikki langattomat verkkotoiminnot käytöstä tilapäisesti toiminnolla [Lentokonetila].

Euroopassa oleville asiakkaille

IEEE802.11 b/g/n	2 400 MHz	< 60 mW e.i.r.p.
IEEE802.11 a/n/ac	5 150 - 5 350 MHz 5 470 - 5 725 MHz	< 35 mW e.i.r.p.
IEEE802.11 a/n/ac	5 725 - 5 850 MHz	< 25 mW e.i.r.p.
Bluetooth	2 400 MHz	< 10 mW e.i.r.p.

Sony Corporation vakuuttaa, että tämä laite on direktiivin 2014/53/EU mukainen.

EU-vaatimustenmukaisuusvakuutuksen täysimittainen teksti on saatavilla seuraavassa internetosoitteessa: <https://www.compliance.sony.eu>

Tämän radiolaitteiston käyttöönottoa tai käyttöluvan vaatimuksia koskevat seuraavat rajoitukset maissa AT/BE/BG/CY/CZ/DK/EE/FI/FR/DE/EL/HU/IE/IT/LV/LT/LU/MT/NL/PL/PT/RO/SK/SI/ES/SE/UK/UK(NI)/HR/IS/LI/NO/CH/AL/BA/MK/MD/RS/ME/XK/TR: 5 150–5 350 MHz:n kaista on rajoitettu vain sisäkäyttöön.

Laturin syöttämän tehon on oltava radiolaitteen lataukseen tarvittavan vähimmäistehon 2,5 wattia ja suurimmalla latausnopeudella lataamiseen tarvittavan enimmäistehon 27 wattia välillä. USB PD fast charging



Tekniset tiedot

Kamera

[Järjestelmä]

Kameran tyyppi:

Digitaalinen kamera
vaihdettavalla objektiivilla

Objektiivi: Sony'n E-kiinnikkeinen
objektiivi

[Kuva-anturi]

Kuvan muoto:

35 mm:n koko ruutu,
CMOS-kuva-anturi


Kameran tehollisten kuvapisteid
määrä:

noin 33 000 000 kuvapistettä

Kameran kuvapisteid
kokonaismäärä:

noin 34 100 000 kuvapistettä

[Yleinen]

Nimellistulo: 7,2 V , 3,7 W

Käyttölämpötila:

0–40 °C

Säilytyslämpötila:

–20–55 °C

Mitat (L/K/S) (noin):

124,0 × 71,1 × 63,4 mm

124,0 × 71,1 × 58,6 mm

(kahvasta monitoriin)

Paino (noin):

514 g (mukaan lukien akku,
SD-kortti)

[WLAN]

WW499972

Tuettu muoto:

IEEE 802.11 a/b/g/n/ac

Taajuuskaista: 2,4 GHz/5 GHz

Ladattava akku NP-FZ100

Nimellisjännite: 7,2 V 

Ulkoasua ja teknisiä ominaisuuksia
saatetaan muuttaa ilman
ennakkoilmoitusta.

Yhteensopivat iPhone/iPad-mallit

iPhone 14 Pro Max, iPhone 14 Pro,
iPhone 14 Plus, iPhone 14,
iPhone SE (3. sukupolvi),
iPhone 13 Pro Max, iPhone 13 Pro,
iPhone 13, iPhone 13 mini,
iPhone 12 Pro Max, iPhone 12 Pro,
iPhone 12, iPhone 12 mini, iPhone SE
(2. sukupolvi), iPhone 11 Pro Max,
iPhone 11 Pro, iPhone 11,
iPhone XS Max, iPhone XS, iPhone XR,
iPhone X, iPhone 8 Plus, iPhone 8,
iPhone 7 Plus, iPhone 7, iPhone SE,
iPhone 6s Plus, iPhone 6s, iPad Air
(3., 4. ja 5. sukupolvi), iPad
(5.–10. sukupolvi), iPad mini
(6. sukupolvi), iPad Pro 12,9 tuumaa
(1.–6. sukupolvi), iPad Pro 11 tuumaa
(1.–4. sukupolvi), iPad Pro 10,5 tuumaa,
iPad Pro 9,7 tuumaa, iPad Air 2,
iPad mini (5. sukupolvi), iPad mini 4
(Tilanne toukokuussa 2023)

Tavaramerkit/lisenssit

- **α** on Sony Group Corporation -yhtiön tavaramerkki.
- Apple, iPhone ja iPad ovat Apple Inc. -yhtiön tavaramerkkejä, jotka on rekisteröity Yhdysvalloissa ja muissa maissa.
- USB Type-C® ja USB-C® ovat USB Implementers Forumin rekisteröityjä tavaramerkkejä.
- Wi-Fi, Wi-Fi-logo ja Wi-Fi Protected Setup ovat Wi-Fi Alliancen rekisteröityjä tavaramerkkejä tai tavaramerkkejä.
- Bluetooth®-sanamerkki ja -logot ovat rekisteröityjä tavaramerkkejä, jotka omistaa Bluetooth SIG, Inc., ja Sony Group Corporation ja sen tytäryhtiöt käyttävät näitä merkkejä lisenssin nojalla.
- QR Code on Denso Wave Inc. -yhtiön tavaramerkki.
- Lisäksi muut tässä oppaassa käytetyt järjestelmien ja tuotteiden nimet ovat yleensä niiden kehittäjien tai valmistajien tavaramerkkejä tai rekisteröityjä tavaramerkkejä. Merkkejä TM ja ® ei ole kuitenkaan käytetty kaikissa tapauksissa tässä oppaassa.

TÄRKEÄÄ – Lue loppukäyttäjän lisenssisopimus ennen Sony-tuotteen käyttöä.

Tuotteen käyttö osoittaa, että hyväksyt loppukäyttäjän lisenssisopimuksen. Sinun ja Sonyn välinen ohjelmistolisenssisopimus on saatavilla seuraavasta osoitteesta: (https://rd1.sony.net/help/di/el23/h_zz/)

- Made for Apple -merkin käyttö tarkoittaa, että lisävaruste on suunniteltu liitettäväksi erityisesti merkissä mainittuihin Apple-tuotteisiin ja että valmistaja on vahvistanut sen täyttävän Apple-suorituskykystandardit. Apple ei ole vastuussa tämän laitteen toiminnasta tai siitä, täyttääkö se turvastandardit ja säännökset.

Made for
 iPhone | iPad

Tätä tuotetta koskevia lisätietoja ja vastauksia usein esitettyihin kysymyksiin on asiakastuen [www-sivustolla](http://www.sivustolla).

<https://www.sony.net/>

Om "Hjelpeveiledning"



Hvis du vil vite mer om bruk av kameraet, kan du se "Hjelpeveiledning" (Internett-håndbok).
https://rd1.sony.net/help/ilc/2360/h_zz/

ILCE-7CM2 Hjelpeveiledning



Forberedelser

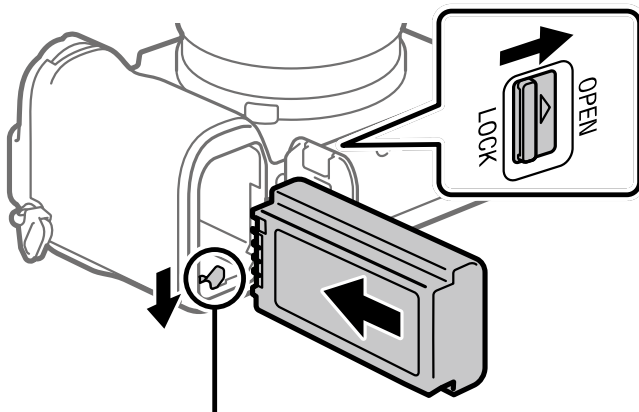
Kontrollere leverte deler

Tallet i parentes angir antall deler.

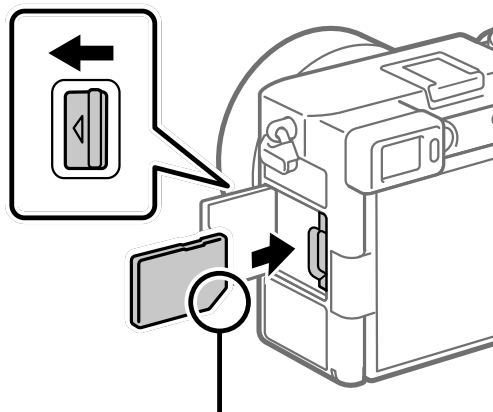
- Kamera (1)
- Oppladbart batteri NP-FZ100 (1)
- Skulderrem (1)
- Kamerahusdeksel (1) (festet til kameraet)
- Deksel til tilbehørssko (1) (festet til kameraet)
- Startveiledning (denne håndboken) (1)
- Referanseveiledning (1)

Sette inn batteriet (inkludert) / minnekortet (selges separat) i kameraet

Åpne batteridekselet og minnekortdekselet, sett inn batteriet/ minnekortet, og lukk dekslene.



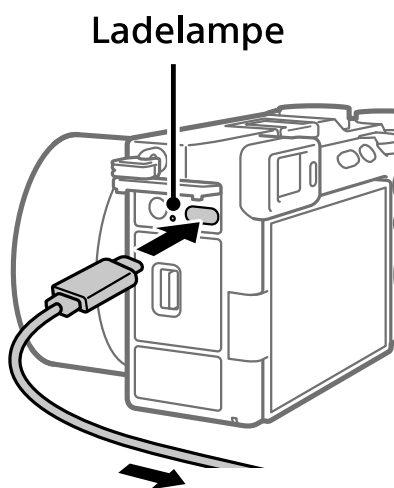
Sett inn batteriet mens du trykker ned låsehendelen.



Pass på at hjørnet med hakk vender i riktig retning.

Dette kameraet er kompatibelt med SD-minnekort. Når du bruker et minnekort i dette kameraet for første gang, bør du formatere kortet ved hjelp av kameraet for å sikre at minnekortet yter stabilt.

Lade batteriet



Til en ekstern strømkilde

1 Slå av strømmen.

- Batteriet lades ikke hvis kameraet slås på.

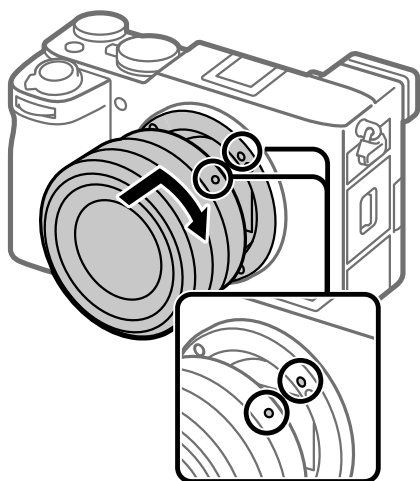
2 Bruk en vanlig tilgjengelig USB Type-C-kabel, og koble USB Type-C-terminalen på kameraet til en ekstern strømkilde, for eksempel vanlig tilgjengelig USB-vekselstrømadapter eller mobilbatteri.

- Ladelampen tennes når ladingen begynner. Lampen slukkes når ladingen er fullført.

NO

Dette kameraet er kompatibelt med USB-PD (USB-strømforsyning). Når en enhet som er kompatibel med USB-PD er koblet til kameraet, er det mulig med rask lading. Vi anbefaler at du bruker en USB-PD-enhet som er kompatibel med en utgang på 9 V/3 A eller 9 V/2 A.

Sette på et objektiv



Fatningsindekser

- 1** Monter objektivet ved å rette inn de to hvite indeksmerkene (fatningsindekser) på objektivet og kameraet.
- 2** Samtidig med at du presser objektivet lett mot kameraet, dreier du objektivet sakte i pilretningen til du hører at det klikkes i låst posisjon.

Utføre innledende oppsett for kameraet

Ved å etablere en Bluetooth-tilkobling (paring) mellom kameraet og en smarttelefon, kan du utføre innledende kameraoppsett som innstilling av dato og klokkeslett, fra smarttelefonen. Installer den dedikerte appen på smarttelefonen på forhånd, og følg deretter trinn **1** til **4** under "Prosedyrer for innledende kameraoppsett".

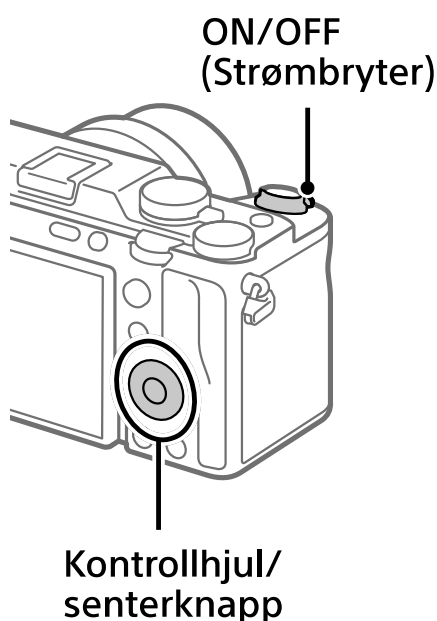
Installere den dedikerte smarttelefon-appen



Installer appen fra følgende nettside. Oppdater også den dedikerte appen til nyeste versjon. Spesifikasjonene for den dedikerte appen kan bli endret uten varsel.

<https://www.sony.net/ca/>

■ Prosedyrer for innledende kameraoppsett



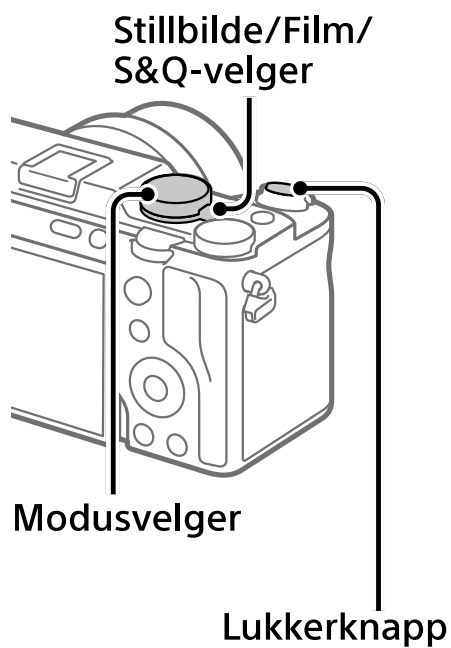
- ➊ **Sett ON/OFF (Strømbryter) på "ON" for å slå på kameraet.**
- ➋ **Velg det ønskede språket, og trykk på midten av kontrollhjulet.**
 - Skjermbildet med merknad om personvern vises. Les merknaden om personvern angående biometri ved å åpne koblingen med smarttelefonen din e.l.
- ➌ **Trykk på midten av kontrollhjulet.**
- ➍ **Følg instruksjonene på kameraskjermen for å koble kameraet til smarttelefonen og utføre innledende oppsett.**
 - Du kan også konfigurere eller endre de innledende innstillingene senere fra MENU på kameraet.


■ Pare kameraet til smarttelefonen senere (Smarttelefontilkobl.)



Du finner mer informasjon om tilkoblingsmetoden på følgende nettadresse for Hjelpeveiledning:
https://rd1.sony.net/help/ilc/2360_pairing/h_zz/

Ta stillbilder



- 1 **Drei og still inn Stillbilde/Film/S&Q-velgeren på  (Stillbilde).**
- 2 **Velg ønsket opptaksmodus ved å vri på modusvelgeren.**
- 3 **Trykk lukkerknappen halvveis ned for å fokusere.**
- 4 **Trykk lukkerknappen helt ned.**

Merknader for bruk

Se også "Forholdsregler" i "Hjelpeveiledning".

Håndtere produktet

- Ikke utsett objektivet eller søkeren for sterke lyskilder, som f.eks. sollys. Som følge av objektivets lysforsterkende funksjon kan det medføre røyk, brann eller en funksjonsfeil inne i kameraet eller objektivet. Hvis du må du la kameraet være eksponert for en lyskilde, som for eksempel sollys, må du sette objektivdekselet på objektivet.
- Hvis sollys eller annet sterkt lys kommer inn i kameraet gjennom objektivet, kan det fokusere inne i kameraet og forårsake røyk eller brann. Fest objektivdekslet når du oppbevarer kameraet. Når du tar bilder med bakgrunnsbelysning, må du sørge for at solen er tilstrekkelig langt unna synsvinkelen. Selv om solen er litt unna synsvinkelen, kan det likevel oppstå røykdannelser eller brann.
- Ikke se på solen eller andre sterke lyskilder gjennom objektivet mens det er frakoblet. Dette kan føre til irreversibel skade på øynene, eller føre til at utstyret slutter å virke som det skal.
- Dette kameraet (inkludert tilbehør) inneholder magneter som kan påvirke pacemakere, programmerbare shuntventiler for behandling av hydrocefalus eller andre medisinske enheter. Dette kameraet må ikke plasseres i nærheten av personer som bruker slike medisinske enheter. Hvis du bruker slike medisinske enheter, må du høre med legen din før du bruker dette kameraet.
- Øk volumet gradvis. Plutselige høye lyder kan skade ørene dine. Vær spesielt forsiktig når du lytter med hodetelefoner.
- Sørg for å oppbevare kameraet, medfølgende tilbehør og minnekort utilgjengelig for barn. De kan komme til å svelges. Hvis dette skulle skje, må lege oppsøkes omgående.
- Når du fotograferer med søkeren, kan du oppleve symptomer som anstrengte øyne, tretthet, sjøsyke eller kvalme. Vi anbefaler at du tar en pause med jevne mellomrom når du fotograferer med søkeren.
- Hvis skjermen eller den elektroniske søkeren blir ødelagt, må du avslutte bruken av kameraet umiddelbart. De ødelagte delene kan føre til skade på hender, ansikt, osv.
- Når du tar kontinuerlig stillbildeopptak, kan det hende at skjermen eller søkeren blinker og veksler mellom opptaksskjermen og en svart skjerm. Hvis du holder blikket festet på skjermen i denne situasjonen, vil du kanskje merke symptomer på ubehag, for eksempel kvalme. Hvis du opplever ubehagelige symptomer, bør du holde opp å bruke kameraet, og konsultere legen din ved behov.


- Hvis du gjør opptak eller strømming i lengre tid eller tar opp 4K-filmer, og hvis du er i kontakt med kameraet med samme sted på huden i lengre tid mens kameraet er i bruk, kan du få symptomer på forbrenning, som at huden blir rød eller får blemmer, selv om du ikke synes kameraet kjennes varmt ut. Vær spesielt oppmerksom i følgende situasjoner, og bruk et stativ e.l.
 - Når du bruker kameraet i omgivelser med høy temperatur
 - Når personer med dårlig blodomløp eller redusert hudfølsomhet bruker kameraet
 - Når du bruker kameraet med [Temp. auto. strøm av] stilt inn på [Høy]

Objektiv/tilbehør fra Sony

Bruk av denne enheten med produkter fra andre produsenter kan påvirke ytelsen og føre til ulykker eller feil på kameraet.

Merknad om 5 GHz-båndet for trådløst LAN

Når du bruker funksjonen for trådløst LAN utendørs, skal du konfigurere båndet til 2,4 GHz i henhold til fremgangsmåten nedenfor.

- MENU →  (Nettverk) → [Wi-Fi] → [Wi-Fi-frekvensbånd]

Slå av trådløse nettverksfunksjoner (Wi-Fi osv.) midlertidig

Når du går ombord i et fly e.l., kan du slå av alle trådløse nettverksfunksjoner midlertidig ved hjelp av [Flymodus].

For kunder i Europa

IEEE802.11 b/g/n	2 400 MHz	< 60 mW e.i.r.p.
IEEE802.11 a/n/ac	5 150 - 5 350 MHz 5 470 - 5 725 MHz	< 35 mW e.i.r.p.
IEEE802.11 a/n/ac	5 725 - 5 850 MHz	< 25 mW e.i.r.p.
Bluetooth	2 400 MHz	< 10 mW e.i.r.p.

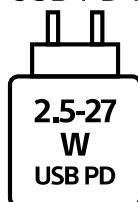
Herved erklærer Sony Corporation at utstyrstypen er i samsvar med direktiv 2014/53/EU.

EU-erklæring fulltekst finner du på Internett under:

<https://www.compliance.sony.eu>

Følgende begrensninger for bruk og krav til godkjenning av bruk gjelder for dette radioutstyret i AT/BE/BG/CY/CZ/DK/EE/FI/FR/DE/EL/HU/IE/IT/LV/LT/LU/MT/NL/PL/PT/RO/SK/SI/ES/SE/UK/UK(NI)/HR/IS/LI/NO/CH/AL/BA/MK/MD/RS/ME/XK/TR: 5 150–5 350 MHz-båndet er begrenset til kun innendørs bruk.

Effekten som leveres av laderen må være mellom min 2,5 watt og maks 27 watt, som kreves av radioutstyret for å oppnå maksimal ladehastighet. USB PD hurtiglading



Spesifikasjoner

Kamera

[System]

Kameratype:

Digitalkamera med utskiftbart objektiv

Objektiv: Sony-objektiv med E-fatning

[Bildesensor]

Bildeformat:

35 mm full bildestørrelse, CMOS-bildesensor

Kameraets effektive pikselantall:

Ca. 33 000 000 piksler

Kameraets totale pikselantall:

Ca. 34 100 000 piksler

[Generelt]

Nominell inngangseffekt:

7,2 V $\overline{=}$, 3,7 W

Brukstemperatur:

0 til 40 °C

Oppbevaringstemperatur:

-20 til 55 °C

Mål (B/H/D) (ca.):

124,0 × 71,1 × 63,4 mm

124,0 × 71,1 × 58,6 mm

(fra grep til skjerm)

Vekt (ca.):

514 g (inkludert batteri, SD-kort)

[Trådløst LAN]

WW499972

Støttet format:

IEEE 802.11 a/b/g/n/ac

Frekvensbånd: 2,4 GHz/5 GHz

Oppladbart batteri NP-FZ100

Nominell nettspenning: 7,2 V $\overline{=}$

Forbehold om endringer i design og spesifikasjoner uten nærmere varsel.

Kompatible iPhone/iPad-modeller

iPhone 14 Pro Max, iPhone 14 Pro, iPhone 14 Plus, iPhone 14, iPhone SE (3. generasjon), iPhone 13 Pro Max, iPhone 13 Pro, iPhone 13, iPhone 13 mini, iPhone 12 Pro Max, iPhone 12 Pro, iPhone 12, iPhone 12 mini, iPhone SE (2. generasjon), iPhone 11 Pro Max, iPhone 11 Pro, iPhone 11, iPhone XS Max, iPhone XS, iPhone XR, iPhone X, iPhone 8 Plus, iPhone 8, iPhone 7 Plus, iPhone 7, iPhone SE, iPhone 6s Plus, iPhone 6s, iPad Air (3., 4. og 5. generasjon), iPad (5.-10. generasjon), iPad mini (6. generasjon), iPad Pro 12,9 tommer (1.-6. generasjon), iPad Pro 11 tommer (1.-4. generasjon), iPad Pro 10,5 tommer, iPad Pro 9,7 tommer, iPad Air 2, iPad mini (5. generasjon), iPad mini 4
(Per mai 2023)

Varemerker/lisenser

- **α** er et varemerke for Sony Group Corporation.
- Apple, iPhone og iPad er varemerker for Apple Inc., og registrert i USA og andre land.
- USB Type-C® og USB-C® er registrerte varemerker for USB Implementers Forum.
- Wi-Fi, Wi-Fi-logoen og Wi-Fi Protected Setup er registrerte varemerker eller varemerker for Wi-Fi Alliance.
- Bluetooth®-ordmerket og -logoene er registrerte varemerker som tilhører Bluetooth SIG, Inc., og all bruk av slike merker av Sony Group Corporation og deres underselskaper skjer på lisens.
- QR Code er et varemerke for Denso Wave Inc.

- I tillegg er system- og produktnavn som brukes i denne håndboken som regel varemerker eller registrerte varemerker for sine respektive utviklere eller produsenter. Merkene [™] og [®] brukes imidlertid kanskje ikke i alle tilfeller i denne håndboken.

VIKTIG – Les lisensavtalen for sluttbrukerprogramvare før du bruker Sony-produktet ditt.

Bruk av produktet indikerer at du godtar lisensavtalen for sluttbrukerprogramvare. Lisensavtalen for programvaren mellom deg og Sony er tilgjengelig på følgende URL-adresse:
(https://rd1.sony.net/help/di/el23/h_zz/)

- Bruk av Made for Apple-merket betyr at et tilbehør er utformet for å brukes spesielt med Apple-produktene som er identifisert på merket, og at utvikleren har sertifisert at tilbehøret oppfyller Apples ytelseskrav. Apple er ikke ansvarlig for bruken av denne enheten, eller enhetens samsvar med offentlige sikkerhetsforskrifter.

Made for
 iPhone | iPad

Du finner mer informasjon om dette produktet og svar på vanlige spørsmål på nettsidene våre for brukerstøtte.

<https://www.sony.net/>

NO

NO
11

Om "Hjælpevejledning"



Detaljerede instruktioner til brug af kameraet kan findes i "Hjælpevejledning" (webvejledning).
https://rd1.sony.net/help/ilc/2360/h_zz/

ILCE-7CM2 Hjælpevejledning

Forberedelser

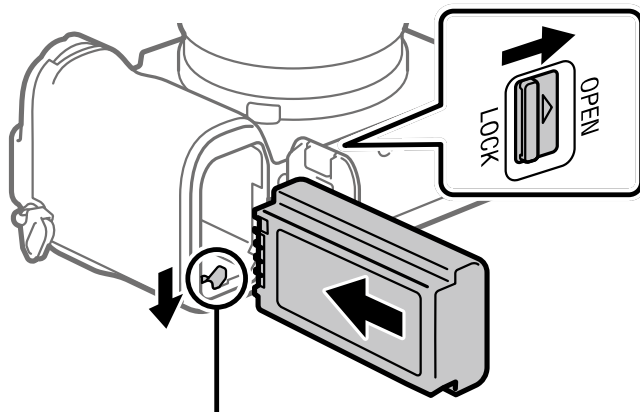
Kontrol af de medfølgende dele

Tallet i parentes angiver antallet.

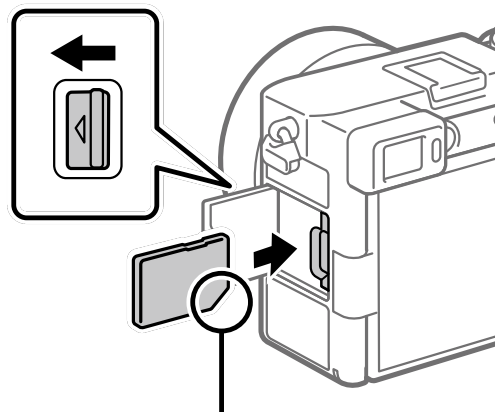
- Kamera (1)
- Genopladelig batteripakke NP-FZ100 (1)
- Skulderrem (1)
- Kamerahusdæksel (1) (monteret på kameraet)
- Dæksel til sko (1) (monteret på kameraet)
- Startvejledning (denne vejledning) (1)
- Referencevejledning (1)

Indsætning af batteripakken (medfølger)/ hukommelseskortet (sælges separat) i kameraet

Åbn batteridækslet og hukommelseskortdækslet, isæt batteriet/hukommelseskortet, og luk dækslerne.



Isæt batteripakken, mens du trykker på låsemekanismen.

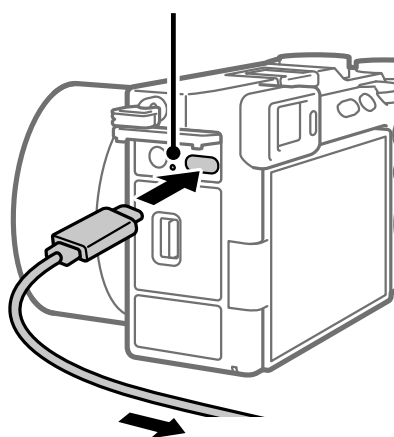


Sørg for at det afskårne hjørne vender rigtigt.

Dette kamera er kompatibelt med SD-hukommelseskort. Når du anvender et hukommelseskort med kameraet for første gang, skal du formatere kortet vha. kameraet for at stabilisere ydelsen af hukommelseskortet.

Opladning af batteriet

Opladningslampe



Til en ekstern strømkilde

1 Sluk for strømmen.

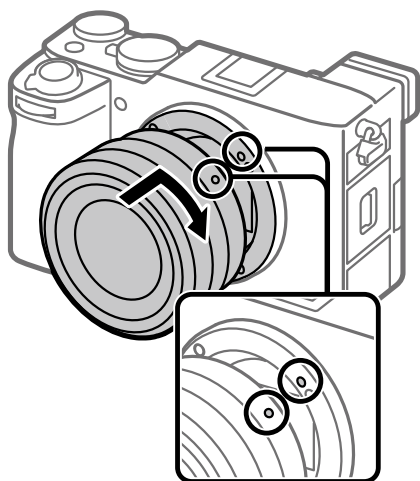
- Hvis kameraet er tændt, vil batteripakken ikke blive opladet.

2 Brug et kommercielt tilgængeligt USB Type-C-kabel til at slutte USB Type-C-terminalen på kameraet til en ekstern strømkilde, f.eks. en kommercielt tilgængelig USB AC-adapter eller et kommercielt tilgængeligt mobilt batteri.

- Opladningslampen lyser, når opladningen begynder. Opladningslampen slukkes, når opladningen er fuldført.

Dette kamera er kompatibelt med USB-PD (USB-strømforsyningslevering). Når en enhed, der er kompatibel med USB-PD, er tilsluttet kameraet, er det muligt at oplade hurtigt. Vi anbefaler, at du bruger en USB-PD-enhed, der er kompatibel med en udgang på 9 V/3 A eller 9 V/2 A.

Montering af et objektiv



Monteringsindeks

- 1** Monter objektivet ved at rette de to hvide indeksemærker (monteringsindekser) på objektivet og kameraet ind efter hinanden.
- 2** Drej objektivet langsomt i pilens retning, mens du skubber objektivet let mod kameraet, indtil det klikker i den låste position.

Udførelse af den indledende opsætning for kameraet

Ved at forbinde (parre) kameraet og en smartphone med Bluetooth kan du foretage den indledende kameraopsætning, som f.eks. indstilling af dato og klokkeslæt, fra smartphonen. Installer den dedikerede applikation på din smartphone på forhånd, og følg derefter trin **1** til **4** under "Procedurer for den indledende kameraopsætning".

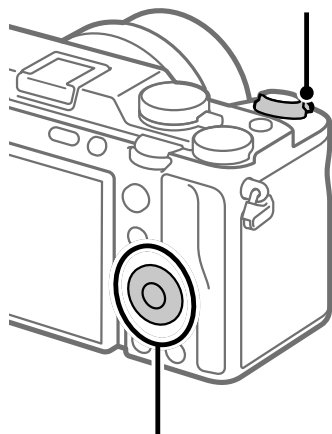
Installation af den dedikerede smartphoneapplikation



Installer applikationen fra den følgende webside. Opdater også til den seneste version af den dedikerede applikation. Specifikationerne for den dedikerede applikation kan ændres uden varsel.
<https://www.sony.net/ca/>

■ Procedurer for den indledende kameraopsætning

ON/OFF (Strøm)-kontakt



Kontrolhjul/
midterknap

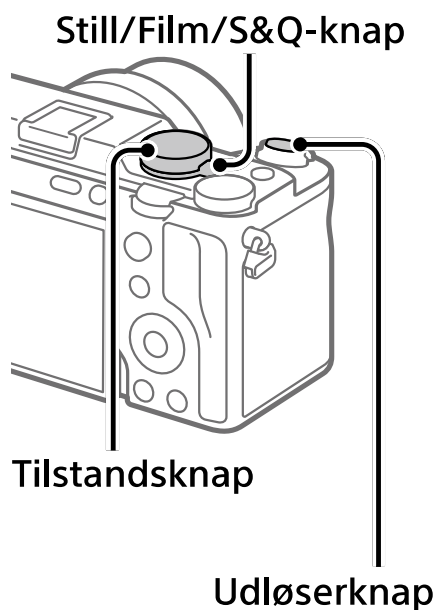
- 1 **Indstil ON/OFF (Strøm)-kontakten til "ON" for at tænde for kameraet.**
- 2 **Vælg det ønskede sprog, og tryk derefter på midten af kontrolhjulet.**
 - Skærmen med meddelelsen om beskyttelse af personlige oplysninger vises. Læs meddelelsen om beskyttelse af personlige oplysninger angående biometri ved at åbne linket vha. din smartphone osv.
- 3 **Tryk på midten af kontrolhjulet.**
- 4 **Følg instruktionerne på kameraskærmen for at forbinde kameraet med din smartphone og udføre den indledende opsætning.**
 - Du kan også konfigurere eller ændre de første indstillinger senere fra MENU på kameraet.


■ Parring af kameraet med din smartphone senere (Smartphonetilslut.)



For detaljer om tilslutningsmetoden skal du se den følgende Hjælpevejledning-URL:
https://rd1.sony.net/help/ilc/2360_pairing/h_zz/

Optagelse af stillbilleder



- 1 Drej og indstil Still/Film/S&Q-knappen til  (Still).
- 2 Vælg den ønskede optagetilstand ved at dreje på tilstandsknappen.
- 3 Tryk udløserknappen halvvejs ned for at fokusere.
- 4 Tryk udløserknappen helt ned.

Bemærkninger om brug

Se også "Forholdsregler" i "Hjælpevejledning".

Bemærkninger angående håndtering af produktet

- Efterlad ikke objektivet eller søgeren udsat for en kraftig lyskilde som f.eks. sollys. På grund af objektivets kondenserende funktion kan dette muligvis forårsage røg, brand eller en funktionsfejl inden i kameraet eller objektivet. Hvis du er nødt til at efterlade kameraet udsat for en lyskilde som f.eks. sollys, skal du montere objektivdækslet på objektivet.
- Hvis der kommer sollys eller andet stærkt lys ind i kameraet gennem objektivet, kan det muligvis fokuseres inden i kameraet og forårsage røg eller brand. Monter objektivdækslet, når du opbevarer kameraet. Ved optagelse med modlys skal du sørge for at holde solen tilstrækkeligt langt væk fra billedvinklen. Selv om den er en smule væk fra billedvinklen, kan der stadig opstå røg eller brand.
- Kig ikke på sollys eller en kraftig lyskilde gennem objektivet, når det er afmonteret. Dette kan muligvis medføre uoprettelig skade på øjnene eller forårsage en funktionsfejl.
- Dette kamera (inklusive tilbehør) indeholder magnet(er), som muligvis kan interferere med pacemakere, programmerbare shuntventiler til hydrocephalusbehandling eller andet medicinsk udstyr. Placer ikke dette kamera i nærheden af personer, som anvender sådan medicinsk udstyr. Konsulter din læge inden du anvender dette kamera, hvis du anvender nogen former for sådan medicinsk udstyr.
- Skru gradvist op for lydstyrken. Pludselige høje lyde kan beskadige dine ører. Vær især forsigtig, når du lytter til hovedtelefoner.
- Efterlad ikke kameraet, det medfølgende tilbehør eller hukommelseskort inden for små børns rækkevidde. De kan muligvis blive slugt ved et uheld. Hvis dette sker, skal der straks opsøges læge.
- Når du optager med søgeren, kan du muligvis opleve symptomer som f.eks. anstrengte øjne, træthed, transportsyge eller kvalme. Vi anbefaler, at du holder pause med regelmæssige mellemrum, når du optager med søgeren.
- Hvis skærmen eller den elektroniske søger beskadiges, skal du straks stoppe med at anvende kameraet. De beskadigede dele kan muligvis forvolde skade på hænder, ansigt osv.
- Ved kontinuerlig optagelse af stillbilleder vil skærmen eller søgeren muligvis glimtvis skifte mellem optageskærmen og en sort skærm. Hvis du fortsætter med at kigge på skærmen i denne situation, kan du muligvis opleve ubehagelige symptomer som f.eks. en følelse af utilpashed. Hvis du oplever ubehagelige symptomer, skal du stoppe med at anvende kameraet og opsøge din læge om nødvendigt.


- Hvis det under optagelse eller streaming i længere perioder eller optagelse af 4K-film forekommer, at den samme del af din hud rører ved kameraet i en lang periode under brug af kameraet, kan det muligvis medføre symptomer på forbrænding ved lav temperatur, som for eksempel rødme eller blæredannelse, selvom du ikke føler, at kameraet er varmt. Vær særlig opmærksom i de følgende situationer og brug et stativ osv.
 - Når du bruger kameraet i omgivelser med en høj temperatur
 - Når nogen med dårligt blodkredsløb eller nedsat hudfølelse anvender kameraet
 - Når kameraet anvendes med [Auto sluk strøm-tmp] indstillet til [Høj]

Sony-objektiver/tilbehør

Brug af enheden med produkter fra andre producenter kan muligvis påvirke dens ydelse og medføre uheld eller funktionsfejl.

Bemærk angående 5 GHz-båndet for trådløst LAN

Når du anvender den trådløse LAN-funktion udendørs, skal du indstille båndet til 2,4 GHz ved at følge proceduren nedenfor.

- MENU →  (Netværk) → [Wi-Fi] → [Wi-Fi-frekvensbånd]

Sådan slås trådløse netværksfunktioner (Wi-Fi osv.) midlertidigt fra

Når du går om bord på et fly osv., kan du slå alle trådløse netværksfunktioner midlertidigt fra vha. [Flytilstand].

Til kunder i Europa

IEEE802.11 b/g/n	2 400 MHz	< 60 mW e.i.r.p.
IEEE802.11 a/n/ac	5 150 - 5 350 MHz 5 470 - 5 725 MHz	< 35 mW e.i.r.p.
IEEE802.11 a/n/ac	5 725 - 5 850 MHz	< 25 mW e.i.r.p.
Bluetooth	2 400 MHz	< 10 mW e.i.r.p.

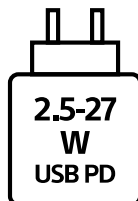
Herved erklærer Sony Corporation, at dette udstyr er i overensstemmelse med direktiv 2014/53/EU.

Den fulde ordlyd af EU-overensstemmelseserklæringen er tilgængelig på følgende internetadresse:

<https://www.compliance.sony.eu>

For dette radioudstyr gælder de følgende restriktioner for ibrugtagning eller krav til godkendelse af brug i AT/BE/BG/CY/CZ/DK/EE/FI/FR/DE/EL/HU/IE/IT/LV/LT/LU/MT/NL/PL/PT/RO/SK/SI/ES/SE/UK/UK(NI)/HR/IS/LI/NO/CH/AL/BA/MK/MD/RS/ME/XK/TR: 5 150 – 5 350 MHz-båndet er begrænset til udelukkende indendørs brug.

Opladerens effekt skal være mellem minimum 2,5 W, som radioudstyret kræver, og maksimalt 27 W for at opnå maksimal opladningshastighed. USB PD hurtig opladning



Specifikationer

Kamera

[System]

Kameratype:

Digalkamera med udskifteligt objektiv

Objektiv: Sony E-fatningsobjektiv

[Billedsensor]

Billedformat:

35 mm fuld størrelse,
CMOS-billedsensor

Kameraets effektive pixelantal:

Ca. 33 000 000 pixels

Kameraets samlede pixelantal:

Ca. 34 100 000 pixels

[Generelt]

Nominal indgang: 7,2 V , 3,7 W

Driftstemperatur:

0 til 40 °C

Opbevaringstemperatur:

-20 til 55 °C

Mål (B/H/D) (Ca.):

124,0 × 71,1 × 63,4 mm

124,0 × 71,1 × 58,6 mm

(fra greb til skærm)

Vægt (Ca.):

514 g (inklusive batteripakke,
SD-kort)

[Trådløst LAN]

WW499972

Understøttet format:

IEEE 802.11 a/b/g/n/ac

Frekvensbånd: 2,4 GHz/5 GHz

Genopladelig batteripakke NP-FZ100

Nominal spænding: 7,2 V 

Ret til ændring af design og tekniske data uden varsel forbeholdes.

Kompatible iPhone/iPad-modeller

iPhone 14 Pro Max, iPhone 14 Pro, iPhone 14 Plus, iPhone 14, iPhone SE (3. generation), iPhone 13 Pro Max, iPhone 13 Pro, iPhone 13, iPhone 13 mini, iPhone 12 Pro Max, iPhone 12 Pro, iPhone 12, iPhone 12 mini, iPhone SE (2. generation), iPhone 11 Pro Max, iPhone 11 Pro, iPhone 11, iPhone XS Max, iPhone XS, iPhone XR, iPhone X, iPhone 8 Plus, iPhone 8, iPhone 7 Plus, iPhone 7, iPhone SE, iPhone 6s Plus, iPhone 6s, iPad Air (3., 4. og 5. generation), iPad (5. til 10. generation), iPad mini (6. generation), iPad Pro 12,9" (1. til 6. generation), iPad Pro 11" (1. til 4. generation), iPad Pro 10,5", iPad Pro 9,7", iPad Air 2, iPad mini (5. generation), iPad mini 4 (Pr. maj 2023)

Varemærker/licenser

- **α** er et varemærke tilhørende Sony Group Corporation.
- Apple, iPhone og iPad er varemærker tilhørende Apple Inc. registreret i USA og andre lande.
- USB Type-C® og USB-C® er registrerede varemærker tilhørende USB Implementers Forum.
- Wi-Fi, Wi-Fi-logoet og Wi-Fi Protected Setup er registrerede varemærker eller varemærker tilhørende Wi-Fi Alliance.
- Bluetooth®-ordmærket og -logoerne er registrerede varemærker tilhørende Bluetooth SIG, Inc., og enhver brug af sådanne mærker af Sony Group Corporation og dens datterselskaber sker på licens.
- QR Code er et varemærke tilhørende Denso Wave Inc.
- Desuden er navne på systemer og produkter, som er anvendt i denne vejledning, generelt varemærker eller registrerede varemærker tilhørende de respektive udviklere eller producenter. Betegnelserne ™ eller ® anvendes imidlertid muligvis ikke i alle tilfælde i denne vejledning.

VIGTIGT - læs slutbrugersoftwarelicensaftalen, før du bruger dit Sony-produkt.

Brug af produktet er ensbetydende med accept af slutbrugersoftwarelicensaftalen. Softwarelicensaftalen mellem dig og Sony kan læses på følgende link: (https://rd1.sony.net/help/di/el23/h_zz/)

- Brug af badget Made for Apple betyder, at et stykke tilbehør er blevet designet specifikt til brug med det eller de Apple-produkter på badget, og det er blevet certificeret af udvikleren, at tilbehøret overholder Apples standarder for ydeevne. Apple er ikke ansvarlig for brugen af denne enhed eller dens overholdelse af sikkerhedsstandarder og bestemmelser.

Made for

 iPhone | iPad

Der findes flere oplysninger om dette produkt samt svar på ofte stillede spørgsmål på vores websted til kundesupport.

<https://www.sony.net/>

