

EA1640 Humidity and Temperature Sensor

Installation Guide



MISC1000043 09/2023 V1.0

Package Contents

Qty	Description
1	EA1640 Humidity and Temperature Sensor
1	RJ-45 cable (1.5m)
2	rack mount kits
1	user instructions

Hardware Overview

EA1640 Humidity and Temperature Sensor consists of the following components as illustrated below:

1. **Signal In Port:**

Use an RJ-45 cable to connect to the sensor port of PG series PDU or the signal out port of the last EA1640.

2. **Signal Out Port:**

Use an RJ-45 cable to connect to the signal in port of the next EA1640.

3. **Sensor Port:**

Use an RJ-11 cable to connect to ATEN Temperature Sensor (EA1140 / EA1240 / EA1340).

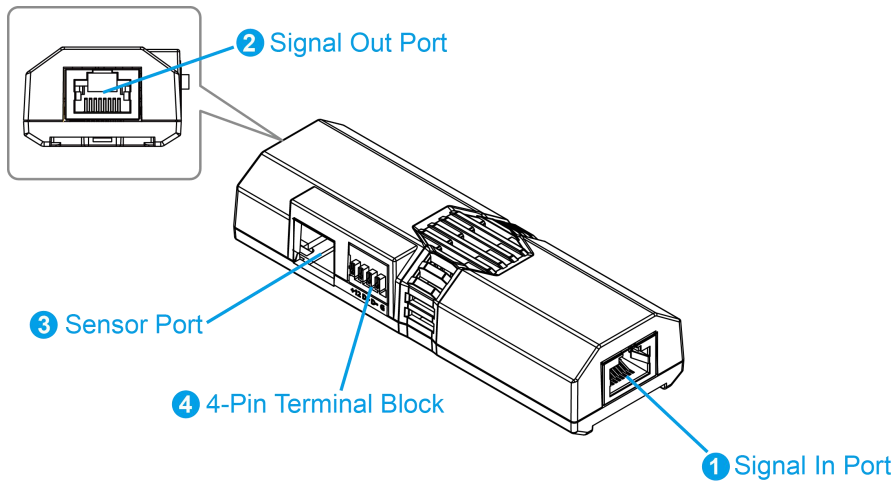
4. **4-Pin Terminal Block:**

Use the sensor terminal to wire to ATEN Door Sensor (EA1440 / EA1441 / EA1442) or ATEN Capacitive Leakage Sensor (EA1540).

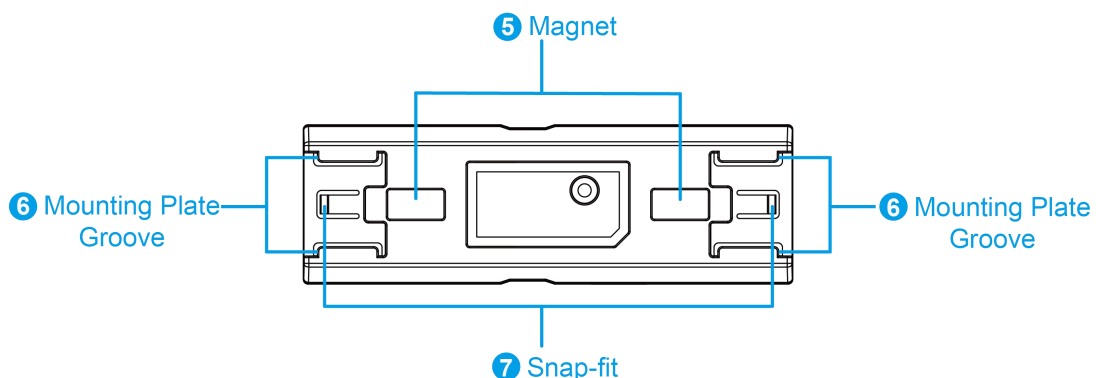
5. **Magnets**

6. **Mounting Plate Grooves**

7. **Snap-fit**



EA1640 (Bottom View):



Installation

At the bottom side of the EA1640 Humidity and Temperature Sensor, there are 2 magnets for easy attachment to metallic surfaces, and the mounting plate grooves for attaching the rack mount kits.

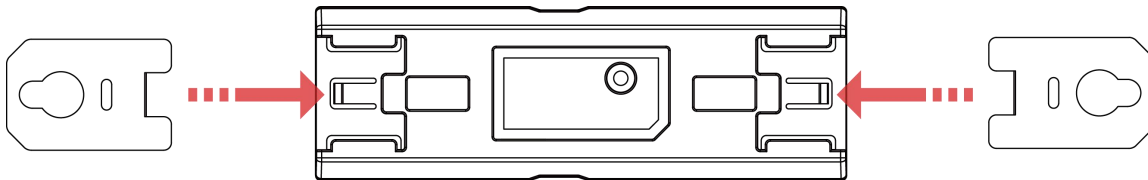
- **Magnetic Mount**

To mount the EA1640 Humidity and Temperature Sensor by its built-in magnets:

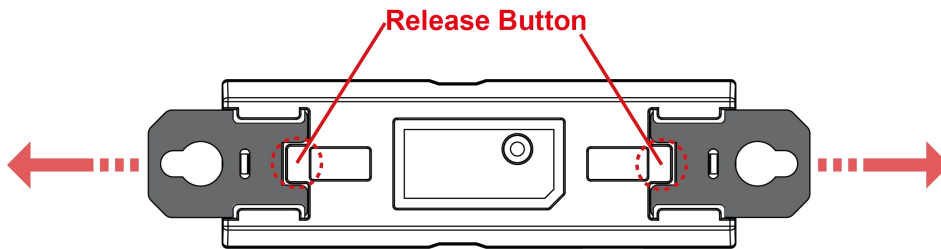
1. Make sure that the surface to be attached to is metallic and flat.
2. Directly attach the EA1640 to the surface.

- **Attaching / Detaching the Rack Mount Kits**

To install the rack mount kits to the EA1640 Humidity and Temperature Sensor, please slide the rack mount kits into the mounting plate grooves as illustrated below. A “click” sound is made once the rack mount kit is firmly attached to the EA1640.

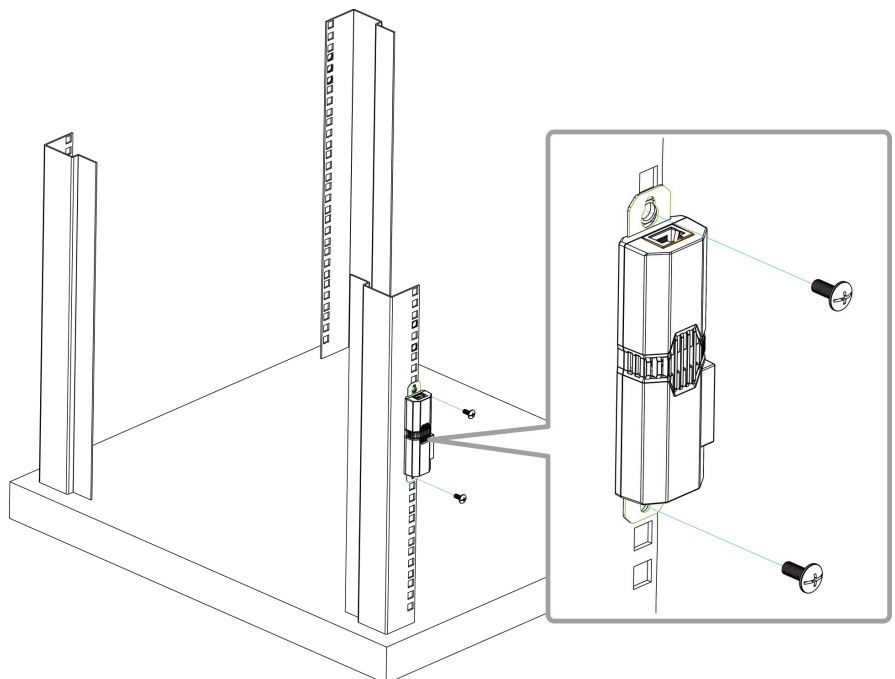


To remove the rack mount kits from the EA1640, press and hold the release buttons and pull the rack mount kits out.



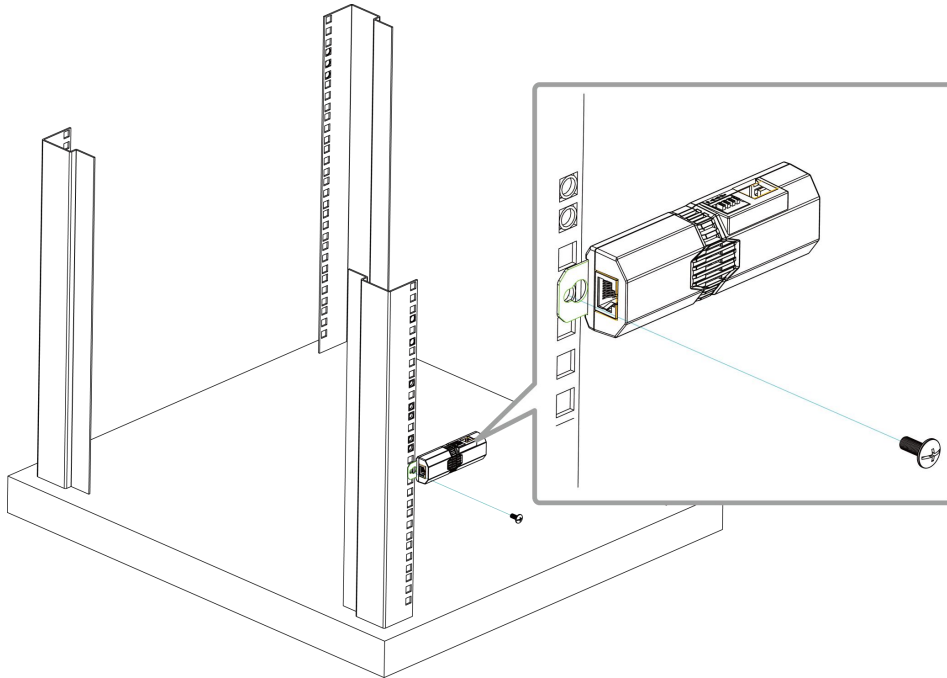
- **Vertical Installation**

To mount the EA1640 Humidity and Temperature Sensor to the system rack vertically, align the rack mount kits screw holes with that of the rack, and use the self-supplied screws to secure the EA1640 onto the rack.



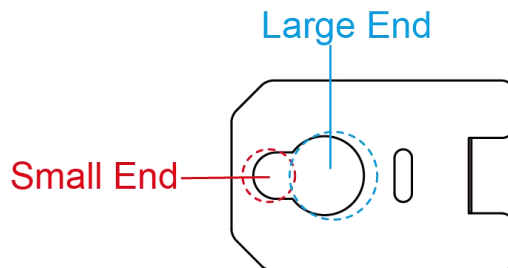
- **Horizontal Installation**

To install the EA1640 onto the system rack horizontally, you only need to attach one rack mount kit to the EA1640. Mount the EA1640 to the system rack, and secure it onto the rack with self-supplied screw.



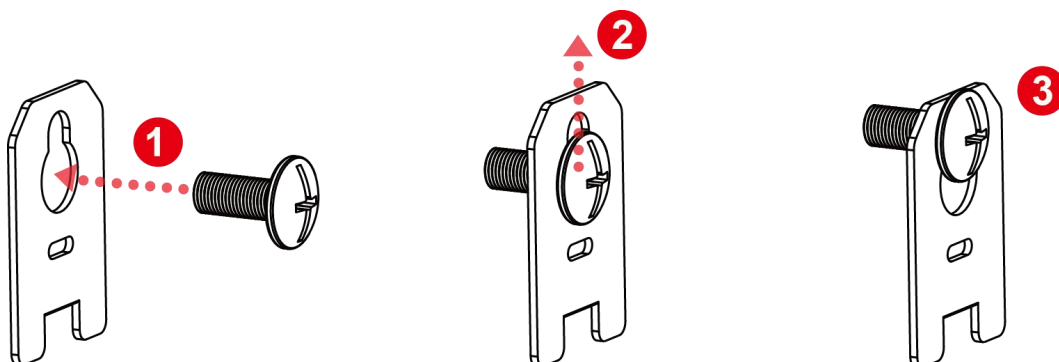
- **Keyhole (Mounting Hole) of Rack Mount Kits**

To firmly secure the rack mount kit with your self-supplied screw, please thread the screw through the small end of the keyhole (mounting hole) and then fasten the screw.



If the self-supplied screw is M6 screw, do the followings:

1. Insert the self-supplied M6 screw into the large end of the hole.
2. Move the screw toward to the small end of the hole.
3. Fasten the screw.



LED

The EA1640 Humidity and Temperature Sensor is equipped with the LED illumination which is visible through the transparent enclosure. The LED illumination delivers the following status:

LED	Description
Solid	EA1640 is in working mode.
Fast Blinking (for 2 minutes)	EA1640 receives the command "FindMe".
Slow Blinking (for 10 seconds)	Over-current protection (OCP) is triggered, and the sensor(s) connected to EA1640 is going to power off.
Slow Blinking	Firmware upgrade of EA1640 is in progress.



Points de collecte sur www.quefairedemesdechets.fr
Privilégiez la réparation ou le don de votre appareil !