

peerless-AV<sup>®</sup>

# Modular Mounting Solutions



# Modular Mounting Solutions

Peerless-AV's Modular Mounting Solutions provide the versatility and durability professional AV installations require. With a wide variety of configurations available, you can choose between already-configured mount kits, or you can “build your own” solution to fit your specific application. For peace of mind, all Modular products are tested to the highest UL mounting safety standards to withstand four times the rated load capacity.

## DISPLAY MOUNT KITS

Dual Pole  
Ceiling  
Mount Kit



page 4

Dual Pole  
Floor-to-Ceiling  
Mount Kit



page 5

Dual Pole  
Floor-to-Wall  
Mount Kit



page 6

Dual Pole  
Free Standing  
Mount Kit



page 7

Single Pole  
Ceiling  
Mount Kit

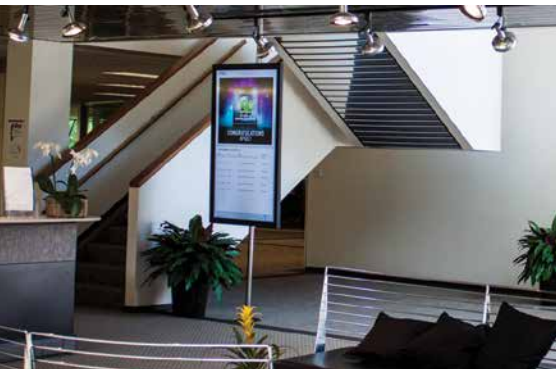


page 8

Single Pole  
Floor-to-Ceiling  
Mount Kit



page 9



## PROJECTOR MOUNT KITS

Projector  
Mount  
Ceiling Kit



page 10

## VIDEO WALL SYSTEMS

Dual Pole  
Floor-to-Ceiling  
Video Wall System



page 11

Dual Pole  
Floor-to-Wall  
Video Wall System



page 11

Dual Pole  
Free Standing  
Video Wall System



page 11



# DUAL POLE CEILING MOUNT KIT

## MOD-FPS2KIT150(-B)

INCLUDES: (1) MOD-CPF2, (2) MOD-P150(-B),  
(1) MOD-FPMS2, (1) MOD-UNL2

### INDIVIDUAL COMPONENTS TO "BUILD YOUR OWN" SOLUTION

#### 1 CHOOSE THE MOUNTING PLATE TYPE



**MOD-CPF2**  
Dual Pole  
Square Ceiling/  
Floor Plate



**MOD-CPI2**  
Dual Pole  
I-Beam  
Ceiling Plate



**MOD-ACF2**  
Dual Pole  
Cosmetic  
Cover

#### 2 SELECT THE POLE LENGTH & ACCESSORIES



Extension Poles:  
MOD-P100(-B): 39" (1m)  
MOD-P150(-B): 59" (1.5m)  
MOD-P200(-B): 78" (2m)  
MOD-P300(-B): 118" (3m)



**MOD-ATD-W**  
Trim Disc



**MOD-APC**  
Pole Coupler



**MOD-ADF**  
Pole Drill Fixture

#### 3 SELECT THE MOUNTING CONFIGURATION



**MOD-FPMS2**  
Dual Pole  
Single  
Display  
Mount



**MOD-FPMD2**  
Dual Pole  
Back-to-Back  
Display  
Mount



**MOD-ASC2**  
Dual Pole  
Display Mount  
Stacking  
Clamp

#### 4 IDENTIFY THE DISPLAY ADAPTOR



**MOD-UNL2**  
Large Universal Adaptor

#### 5 SELECT OPTIONAL ACCESSORY



**MOD-AWM2**  
Dual-Pole Wall Mount Interface  
(for Peerless-AV Flat, Tilt & Video Wall Mounts)

#### 6 SELECT OPTIONAL SECURITY



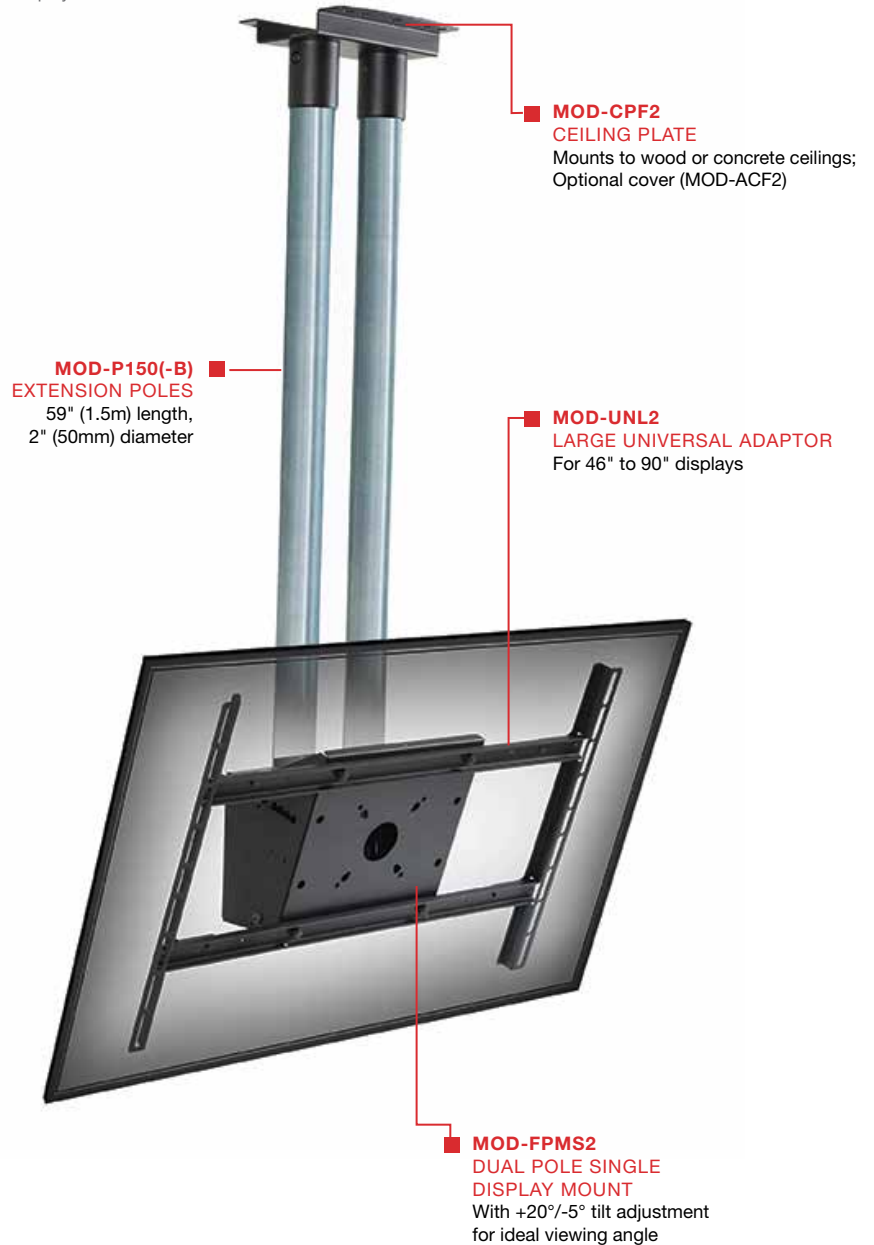
**ACC925**  
Security Fastener Pack



VESA® Pattern  
up to 600 x 400mm



Max Load  
211lb (96kg)  
per display



**MOD-CPF2**  
**CEILING PLATE**  
Mounts to wood or concrete ceilings;  
Optional cover (MOD-ACF2)

**MOD-P150(-B)**  
**EXTENSION POLES**  
59" (1.5m) length,  
2" (50mm) diameter

**MOD-UNL2**  
**LARGE UNIVERSAL ADAPTOR**  
For 46" to 90" displays

**MOD-FPMS2**  
**DUAL POLE SINGLE**  
**DISPLAY MOUNT**  
With +20°/-5° tilt adjustment  
for ideal viewing angle

# DUAL POLE FLOOR-TO-CEILING MOUNT KIT

## MOD-FCS2KIT300(-B)

INCLUDES: (2) MOD-CPF2, (2) MOD-P300(-B),  
(1) MOD-FPMS2, (1) MOD-ASC2, (1) MOD-UNL2



VESA® Pattern  
up to 600 x 400mm



Max Load  
211lb (96kg) per display  
422lb (192kg) total

### MOD-ASC2 DUAL POLE DISPLAY MOUNT STACKING CLAMP

Clamps around Extension Poles  
to stack multiple single or  
back-to-back displays

### MOD-CPF2 CEILING PLATE

Mounts to wood or concrete ceilings;  
Optional cover (MOD-ACF2)

### MOD-UNL2 LARGE UNIVERSAL ADAPTOR

For 46" to 90" displays

### MOD-FPMS2 DUAL POLE SINGLE DISPLAY MOUNT

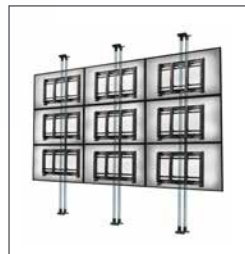
With +20°/-5° tilt adjustment  
for ideal viewing angle

### MOD-P300(-B) EXTENSION POLES

118" (3m) length,  
2" (50mm) diameter

### MOD-CPF2 FLOOR PLATE

Mounts to wood or concrete floors;  
Optional cover (MOD-ACF2)



FLOOR-TO-CEILING VIDEO WALL SOLUTION AVAILABLE  
SEE PAGE 11 FOR DETAILS



## INDIVIDUAL COMPONENTS TO "BUILD YOUR OWN" SOLUTION

### 1 CHOOSE THE MOUNTING PLATE TYPE



MOD-CPF2  
Dual Pole  
Square Ceiling/  
Floor Plate



MOD-CPI2  
Dual Pole  
I-Beam  
Ceiling Plate



MOD-ACF2  
Dual Pole  
Cosmetic  
Cover

### 2 SELECT THE POLE LENGTH & ACCESSORIES



Extension Poles:  
MOD-P100(-B): 39" (1m)  
MOD-P150(-B): 59" (1.5m)  
MOD-P200(-B): 78" (2m)  
MOD-P300(-B): 118" (3m)



MOD-ATD-W  
Trim Disc



MOD-APC  
Pole Coupler



MOD-ADF  
Pole Drill Fixture

### 3 SELECT THE MOUNTING CONFIGURATION



MOD-FPMS2  
Dual Pole  
Single  
Display  
Mount



MOD-FPMD2  
Dual Pole  
Back-to-Back  
Display  
Mount



MOD-ASC2  
Dual Pole  
Display Mount  
Stacking  
Clamp

### 4 IDENTIFY THE DISPLAY ADAPTOR



MOD-UNL2  
Large Universal Adaptor

### 5 SELECT OPTIONAL ACCESSORY



MOD-AWM2  
Dual-Pole Wall Mount Interface  
(for Peerless-AV Flat, Tilt & Video Wall Mounts)

### 6 SELECT OPTIONAL SECURITY



ACC925  
Security Fastener Pack



# DUAL POLE FLOOR-TO-WALL MOUNT KIT

## MOD-FW2KIT300(-B)

INCLUDES: (1) MOD-CPF2, (1) MOD-WP2, (2) MOD-P300(-B),  
(1) MOD-FPMS2, (1) MOD-ASC2, (1) MOD-UNL2

### INDIVIDUAL COMPONENTS TO "BUILD YOUR OWN" SOLUTION

#### 1 CHOOSE THE MOUNTING PLATE TYPE



**MOD-CPF2**  
Dual Pole  
Square Ceiling/  
Floor Plate



**MOD-WP2**  
Dual Pole  
Wall Plate



**MOD-ACF2**  
Dual Pole  
Cosmetic  
Cover

#### 2 SELECT THE POLE LENGTH & ACCESSORIES



Extension Poles:  
**MOD-P100(-B)**: 39" (1m)  
**MOD-P150(-B)**: 59" (1.5m)  
**MOD-P200(-B)**: 78" (2m)  
**MOD-P300(-B)**: 118" (3m)



**MOD-ATD-W**  
Trim Disc



**MOD-APC**  
Pole Coupler



**MOD-ADF**  
Pole Drill Fixture

#### 3 SELECT THE MOUNTING CONFIGURATION



**MOD-FPMS2**  
Dual Pole  
Single  
Display  
Mount



**MOD-FPMD2**  
Dual Pole  
Back-to-Back  
Display  
Mount



**MOD-ASC2**  
Dual Pole  
Display Mount  
Stacking  
Clamp

#### 4 IDENTIFY THE DISPLAY ADAPTOR



**MOD-UNL2**  
Large Universal Adaptor

#### 5 SELECT OPTIONAL ACCESSORY



**MOD-AWM2**  
Dual-Pole Wall Mount Interface  
(for Peerless-AV Flat, Tilt & Video Wall Mounts)

#### 6 SELECT OPTIONAL SECURITY



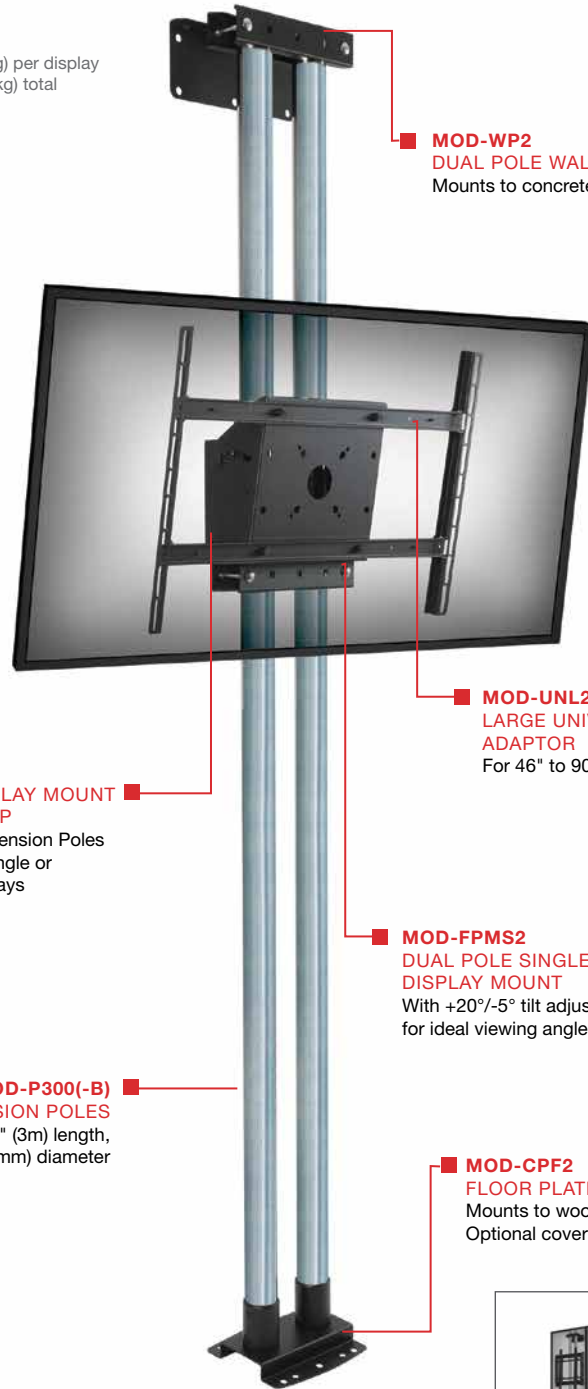
**ACC925**  
Security Fastener Pack



VESA® Pattern  
up to 600 x 400mm



Max Load  
211lb (96kg) per display  
422lb (192kg) total



**MOD-WP2**  
**DUAL POLE WALL PLATE**  
Mounts to concrete or wood stud walls

**MOD-UNL2**  
**LARGE UNIVERSAL ADAPTOR**  
For 46" to 90" displays

**MOD-ASC2**  
**DUAL POLE DISPLAY MOUNT STACKING CLAMP**  
Clamps around Extension Poles to stack multiple single or back-to-back displays

**MOD-FPMS2**  
**DUAL POLE SINGLE DISPLAY MOUNT**  
With +20°/-5° tilt adjustment for ideal viewing angle

**MOD-P300(-B)**  
**EXTENSION POLES**  
118" (3m) length,  
2" (50mm) diameter

**MOD-CPF2**  
**FLOOR PLATE**  
Mounts to wood or concrete floors;  
Optional cover (MOD-ACF2)



FLOOR-TO-WALL VIDEO WALL SOLUTION AVAILABLE  
SEE PAGE 11 FOR DETAILS

# DUAL POLE FREE STANDING MOUNT KIT

## MOD-FPP2KIT200(-B)

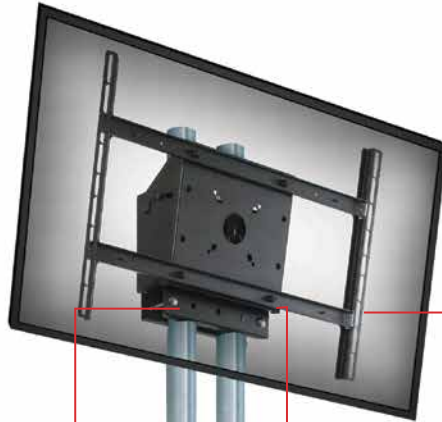
INCLUDES: (1) MOD-FPP2, (2) MOD-P300(-B),  
(1) MOD-FPMS2, (1) MOD-ASC2, (1) MOD-UNL2



VESA® Pattern  
up to 600 x 400mm



Max Load  
211lb (96kg) per display  
422lb (192kg) total



**MOD-ASC2**  
DUAL POLE DISPLAY MOUNT  
STACKING CLAMP  
Clamps around Extension Poles  
to stack multiple single or  
back-to-back displays

**MOD-UNL2**  
LARGE UNIVERSAL  
ADAPTOR  
For 46" to 90" displays

**MOD-FPMS2**  
DUAL POLE SINGLE  
DISPLAY MOUNT  
With +20°/-5° tilt adjustment  
for ideal viewing angle

**MOD-P200(-B)**  
EXTENSION POLES  
78" (2m) length,  
2" (50mm) diameter

**MOD-FPP2**  
DUAL POLE FREE  
STANDING FLOOR PLATE  
Mounts to concrete or  
wood floors



FREE STANDING VIDEO WALL SOLUTION AVAILABLE  
SEE PAGE 11 FOR DETAILS



## INDIVIDUAL COMPONENTS TO "BUILD YOUR OWN" SOLUTION

### 1 CHOOSE THE MOUNTING PLATE TYPE



**MOD-FPP2**  
Dual Pole  
Free Standing  
Floor Plate

### 2 SELECT THE POLE LENGTH & ACCESSORIES



Extension Poles:  
MOD-P100(-B): 39" (1m)  
MOD-P150(-B): 59" (1.5m)  
MOD-P200(-B): 78" (2m)  
MOD-P300(-B): 118" (3m)



**MOD-ATD-W**  
Trim Disc



**MOD-APC**  
Pole Coupler



**MOD-ADF**  
Pole Drill Fixture

### 3 SELECT THE MOUNTING CONFIGURATION



**MOD-FPMS2**  
Dual Pole  
Single  
Display  
Mount



**MOD-FPMD2**  
Dual Pole  
Back-to-Back  
Display  
Mount



**MOD-ASC2**  
Dual Pole  
Display Mount  
Stacking  
Clamp

### 4 IDENTIFY THE DISPLAY ADAPTOR



**MOD-UNL2**  
Large Universal Adaptor

### 5 SELECT OPTIONAL ACCESSORY



**MOD-AWM2**  
Dual-Pole Wall Mount Interface  
(for Peerless-AV Flat, Tilt & Video Wall Mounts)

### 6 SELECT OPTIONAL SECURITY



**ACC925**  
Security Fastener Pack



# SINGLE POLE CEILING MOUNT KIT

MOD-FPSKIT100(-B)/150(-B)

INCLUDES: (1) MOD-CPC, (1) MOD-P100(-B)/150(-B),  
(1) MOD-FPMS, (1) MOD-UNL

## INDIVIDUAL COMPONENTS TO "BUILD YOUR OWN" SOLUTION

### 1 CHOOSE THE MOUNTING PLATE TYPE



**MOD-CPF**  
Square Ceiling/  
Floor Plate



**MOD-CPI**  
I-Beam  
Ceiling Plate



**MOD-ACF**  
Cosmetic  
Cover



**MOD-AUB**  
U-Bolt Adaptor  
Accessory



**MOD-CPC**  
Cathedral  
Ceiling Plate

### 2 SELECT THE POLE LENGTH & ACCESSORIES



Extension Poles:  
MOD-P100(-B): 39" (1m)  
MOD-P150(-B): 59" (1.5m)  
MOD-P200(-B): 78" (2m)  
MOD-P300(-B): 118" (3m)



**MOD-ATD-W**  
Trim Disc



**MOD-APC**  
Pole Coupler



**MOD-ADF**  
Pole Drill Fixture

### 3 SELECT THE MOUNTING CONFIGURATION



**MOD-FPMS**  
Single  
Display  
Mount



**MOD-FPMD**  
Back-to-Back  
Display  
Mount



**MOD-ASC**  
Display Mount  
Stacking  
Clamp

### 4 IDENTIFY THE DISPLAY ADAPTOR



**MOD-UNM**  
Medium  
Universal  
Adaptor



**MOD-UNL**  
Large  
Universal  
Adaptor



**ACC450**  
Adaptor  
Bracket  
for 22" to 40"  
Displays

### 5 SELECT OPTIONAL SECURITY



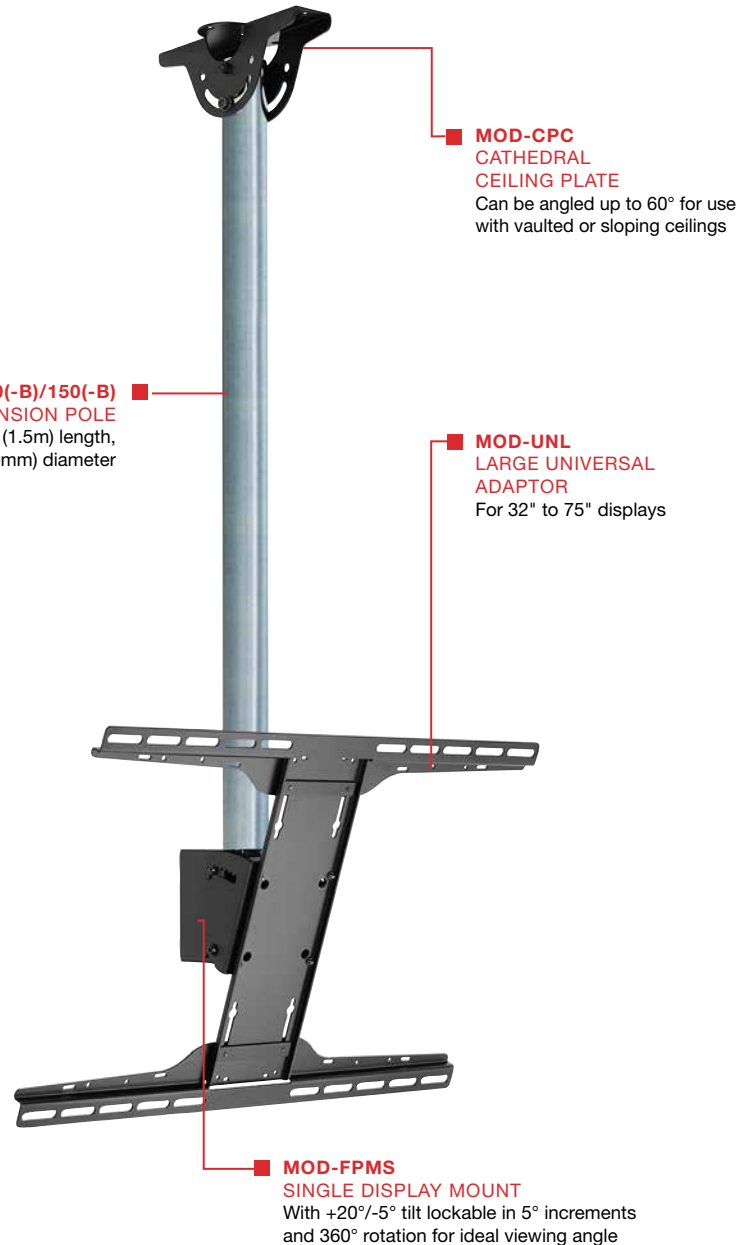
**ACC918**  
Security Fastener Pack



VESA® Pattern  
up to 600 x 400mm



Max Load  
132lb (60kg)  
per display



**MOD-CPC**  
CATHEDRAL  
CEILING PLATE  
Can be angled up to 60° for use  
with vaulted or sloping ceilings

**MOD-P100(-B)/150(-B)**  
EXTENSION POLE  
39" (1m) or 59" (1.5m) length,  
2" (50mm) diameter

**MOD-UNL**  
LARGE UNIVERSAL  
ADAPTOR  
For 32" to 75" displays

**MOD-FPMS**  
SINGLE DISPLAY MOUNT  
With +20°/-5° tilt lockable in 5° increments  
and 360° rotation for ideal viewing angle



# SINGLE POLE FLOOR-TO-CEILING KIT

## MOD-FCSKIT300(-B)

INCLUDES: (2) MOD-CPF, (1) MOD-P300(-B),  
(1) MOD-FPMS, (1) MOD-ASC, (1) MOD-UNL



VESA® Pattern  
up to 600 x 400mm



Max Load  
132lb (60kg)  
per display

**MOD-ASC**  
**DISPLAY MOUNT**  
**STACKING CLAMP**  
Clamps around Extension  
Pole to stack multiple  
displays on a single pole

**MOD-CPF**  
**CEILING PLATE**  
Mounts to wood or concrete ceilings;  
Optional cover (MOD-ACF)

**MOD-UNL**  
**LARGE UNIVERSAL**  
**ADAPTOR**  
For 32" to 75" displays

**MOD-FPMS**  
**SINGLE DISPLAY MOUNT**  
With +20°/-5° tilt lockable in 5°  
increments and 360° rotation for  
ideal viewing angle

**MOD-P300(-B)**  
**EXTENSION POLE**  
118" (3m) length,  
2" (50mm) diameter

**MOD-CPF**  
**FLOOR PLATE**  
Mounts to wood or concrete floors;  
Optional cover (MOD-ACF)



## INDIVIDUAL COMPONENTS TO "BUILD YOUR OWN" SOLUTION

### 1 CHOOSE THE MOUNTING PLATE TYPE



**MOD-CPF**  
Square Ceiling/  
Floor Plate



**MOD-CPI**  
I-Beam  
Ceiling Plate



**MOD-ACF**  
Cosmetic  
Cover



**MOD-AUB**  
U-Bolt Adaptor  
Accessory



**MOD-CPC**  
Cathedral  
Ceiling Plate

### 2 SELECT THE POLE LENGTH & ACCESSORIES

Extension Poles:  
MOD-P100(-B): 39" (1m)  
MOD-P150(-B): 59" (1.5m)  
MOD-P200(-B): 78" (2m)  
MOD-P300(-B): 118" (3m)



**MOD-ATD-W**  
Trim Disc



**MOD-APC**  
Pole Coupler



**MOD-ADF**  
Pole Drill Fixture

### 3 SELECT THE MOUNTING CONFIGURATION



**MOD-FPMS**  
Single  
Display  
Mount



**MOD-FPMD**  
Back-to-Back  
Display  
Mount



**MOD-ASC**  
Display Mount  
Stacking  
Clamp

### 4 IDENTIFY THE DISPLAY ADAPTOR



**MOD-UNM**  
Medium  
Universal  
Adaptor



**MOD-UNL**  
Large  
Universal  
Adaptor



**ACC450**  
Adaptor  
Bracket  
for 22" to 40"  
Displays

### 5 SELECT OPTIONAL SECURITY



**ACC918**  
Security Fastener Pack



# PROJECTOR MOUNT CEILING KIT

MOD-PRGSKIT100(-B)/150(-B)/300(-B)

INCLUDE: (1) MOD-CPC, (1) MOD-P100(-B)/150(-B)/300(-B),  
(1) MOD-ATA, (1) PRGS-UNV

INDIVIDUAL COMPONENTS TO  
"BUILD YOUR OWN" SOLUTION

## 1 CHOOSE THE MOUNTING PLATE TYPE



MOD-CPF(-W)  
Square Ceiling/  
Floor Plate



MOD-CPI  
I-Beam  
Ceiling Plate



MOD-ACF(-W)  
Cosmetic  
Cover



MOD-AUB  
U-Bolt Adaptor  
Accessory



MOD-CPC(-W)  
Cathedral  
Ceiling Plate

## 2 SELECT THE POLE LENGTH & ACCESSORIES



Extension Poles:  
MOD-P100(-B): 39" (1m)  
MOD-P150(-B): 59" (1.5m)  
MOD-P200(-B): 78" (2m)  
MOD-P300(-B): 118" (3m)



MOD-ATD-W  
Trim Disc



MOD-APC  
Pole Coupler



MOD-ADF  
Pole Drill Fixture

## 3 REQUIRED PROJECTOR ADAPTOR



MOD-ATA(-W)  
1.5" NPS Threaded  
Projector Mount  
Adaptor

## 4 SELECT THE PROJECTOR MOUNT



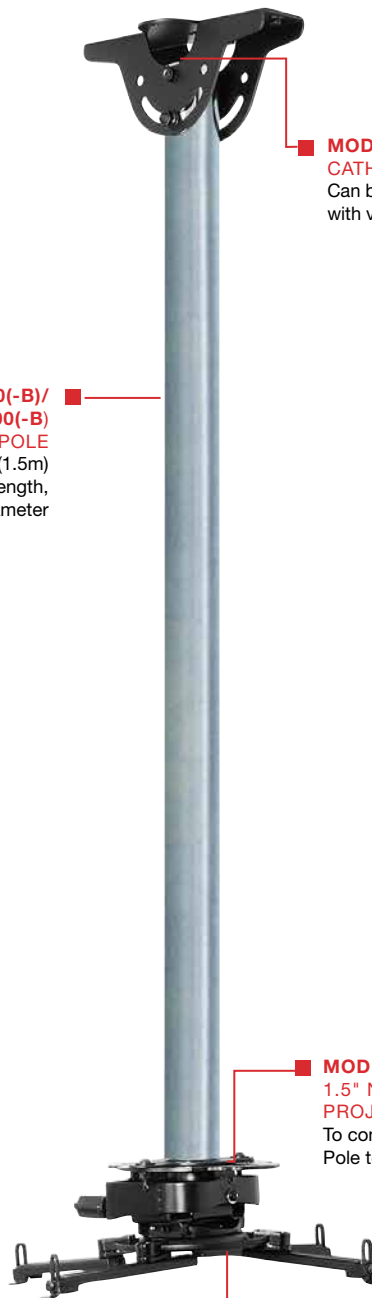
PRGS-UNV(-W)  
PRGS Projector  
Mount



PSMU-PRSS(-W)  
Security Projector  
Mount



Max Load  
50lb (22kg)



**MOD-CPC**  
CATHEDRAL CEILING PLATE  
Can be angled up to 60° for use  
with vaulted or sloping ceilings

**MOD-P100(-B)/  
150(-B)/300(-B)**  
EXTENSION POLE  
39" (1m), 59" (1.5m)  
or 118" (3m) length,  
2" (50mm) diameter

**MOD-ATA**  
1.5" NPS THREADED  
PROJECTOR MOUNT ADAPTOR  
To connect the modular Extension  
Pole to a projector mount

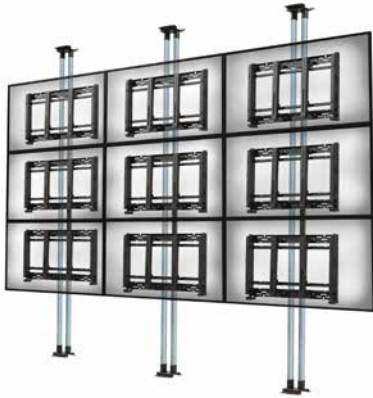
**PRGS-UNV**  
PRGS PROJECTOR MOUNT  
For projectors up to 50lb (22kg)

# DUAL POLE VIDEO WALL SYSTEMS

Combine multiple dual poles to build your ideal video wall. Example video wall kits are shown below.



**FLOOR-TO-CEILING  
3x3 LANDSCAPE VIDEO WALL**



**EXAMPLE KIT INCLUDES:**  
6 x MOD-CPF2 | 6 x MOD-P300  
9 x MOD-AWM2 | 9 x DS-VW765-LQR

**FLOOR-TO-WALL  
3x2 PORTRAIT VIDEO WALL**



**EXAMPLE KIT INCLUDES:**  
3 x MOD-CPF2 | 3 x MOD-WP2 | 6 x MOD-P300  
6 x MOD-AWM2 | 6 x DS-VW765-PQR

**FREE STANDING  
2x2 LANDSCAPE VIDEO WALL**



**EXAMPLE KIT INCLUDES:**  
2 x MOD-FPP2 | 4 x MOD-P200  
4 x MOD-AWM2 | 4 x DS-VW765-LAND

## INDIVIDUAL COMPONENTS TO "BUILD YOUR OWN" SOLUTION

### FLOOR/WALL PLATES



**MOD-CPF2**  
Dual Pole Square  
Ceiling/Floor Plate



**MOD-WP2**  
Dual Pole Wall Plate



**MOD-ACF2**  
Dual Pole Cosmetic Cover



**MOD-FPP2**  
Dual Pole Free  
Standing Floor Plate

### EXTENSION POLES



**MOD-P100(-B)**  
39" (1m) Extension Pole



**MOD-P150(-B)**  
59" (1.5m) Extension Pole



**MOD-P200(-B)**  
78" (2m) Extension Pole



**MOD-P300(-B)**  
118" (3m) Extension Pole

### DISPLAY MOUNTS



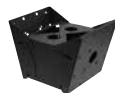
**MOD-ASC2**  
Dual Pole Display Mount  
Stacking Clamp



**MOD-UNL2**  
Large Universal Adaptor



**MOD-FPMS2**  
Dual Pole Single  
Display Mount



**MOD-FPMD2**  
Back-to-Back Display Mount

### VIDEO WALL MOUNTS



**MOD-AWM2**  
Wall Mount Adaptor

#### LANDSCAPE *or* PORTRAIT



**DS-VW765-LQR**  
Full Service Video  
Wall Mount with Quick  
Release - Landscape

*or*



**DS-VW765-LAND**  
Full Service Video Wall  
Mount - Landscape



**DS-VW765-PQR**  
Full Service Video  
Wall Mount with Quick  
Release - Portrait

*or*



**DS-VW765-POR**  
Full Service Video  
Wall Mount - Portrait

### ACCESSORIES



**MOD-MBM**  
Medium Media Box



**MOD-MBL**  
Large Media Box



**MOD-ADF**  
Pole Drill Fixture





**MOD-APC**  
Pole Coupler



For over 75 years, passion and innovation continue to drive Peerless-AV® forward.

We proudly design and manufacture the highest quality products, ranging from outdoor displays to complete kiosk solutions, digital signage mounts to wireless systems. Whether a full-scale global deployment or custom project, Peerless-AV develops meaningful relationships and delivers world-class service. In partnership with Peerless-AV, you are trusting an award-winning team of experts who will support your business every step of the way.

For more information, visit [peerless-av.com](http://peerless-av.com).

 [peerless-av.com](http://peerless-av.com)  
 800-865-2112