

PTM200



Mounting Pattern
75 x 75mm



Max Load
5lb (2.3kg)

Universal Tablet Cradle

FOR TABLETS LESS THAN 0.75" (19mm) DEEP

Peerless-AV® makes it simple to mount almost any tablet with the PTM200. With its width and height adjustable cradle, this versatile, Universal Tablet Cradle adapts to virtually any tablet size and secures it tightly into place. Its 75 x 75mm VESA® pattern allows the PTM200 to attach to any wall mount with a matching pattern, while its sleek design makes it just as stylish as it is functional.

- Easily attaches to any 75 x 75mm VESA® mount
- Theft-resistant security kit available

Note: Tablet and wall mount not included



Shown attached to SA730P

Patented. Design Patent No. D650,774.

PTM200	Universal Tablet Cradle for tablets less than 0.75" (19mm) deep
---------------	---

Product Specifications

	DIMENSIONS (W x H x D)	PRODUCT WEIGHT	LOAD CAPACITY	FINISH	AVAILABLE COLORS
PTM200	6.92"-11.42" x 4.48"-8.47" x 1.65" (176-290 x 114-215 x 42mm)	0.77lb (0.35kg)	5 lb (2.3kg)	TGIC Polyester Powder Coat	Black

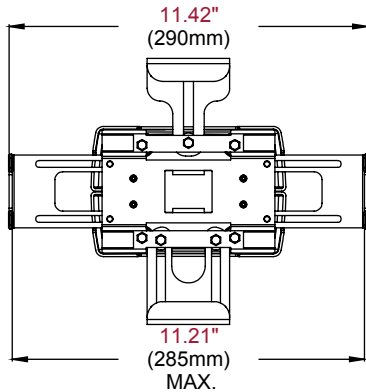
Package Specifications

	PACKAGE SIZE (W x H x D)	PACKAGE SHIP WEIGHT	PACKAGE UPC CODE	PACKAGE CONTENTS	UNITS IN PACKAGE
PTM200	9.5" x 2.5" x 12.25" (241 x 64 x 311mm)	2.00lb (0.91kg)	735029282129	Tablet Cradle and Attachment Hardware	1

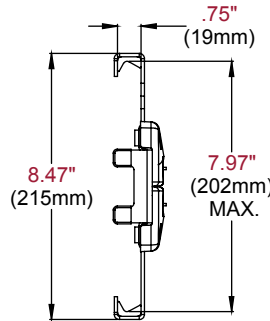
Accessories

- | | |
|--|---|
| ACC954: Theft Resistant Security Kit | SP730: SmartMount® Pivoting Wall Mount |
| LCT models: Desktop Mounts | PP730: Paramount™ Pivoting Wall Mount |
| SF630 models: SmartMount® Universal Flat Wall Mount | SA730: SmartMount® Articulating Wall Mount |
| ST630 models: SmartMount® Universal Tilt Wall Mount | PA730: Paramount™ Articulating Wall Mount |

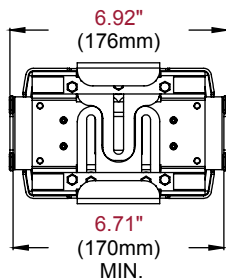
All dimensions = inch (mm)



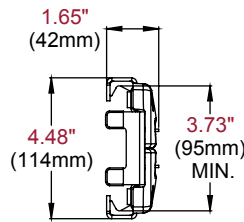
FRONT VIEW EXTENDED



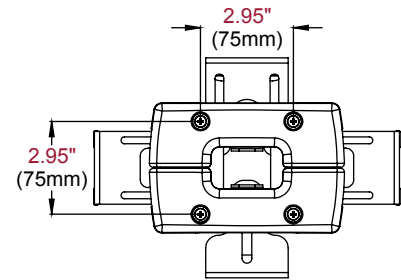
SIDE VIEW EXTENDED



FRONT VIEW RETRACTED



SIDE VIEW RETRACTED



REAR MOUNTING HOLES

Architect Specifications

The Universal Tablet Cradle shall be a Peerless-AV model PTM200 and shall be located where indicated on the plans. Assembly and installation shall be done according to instructions provided by the manufacturer.

Visit peerless-av.com to see the complete line of AV solutions from Peerless-AV, including outdoor displays, kiosks, digital audio, display mounts, projector mounts, carts/stands, and a full assortment of accessories.

Peerless-AV
2300 White Oak Circle
Aurora, IL 60502 USA
(800) 865-2112
(630) 375-5100
Fax: (800) 359-6500

Peerless-AV EMEA
Unit 3 Watford Interchange
Colonial Way, Watford
Herts, WD24 4WP
United Kingdom
+44 (0) 1923 200100
Fax: +44 (0) 1923 200101

Peerless-AV Latin America
Av. de las Industrias 413
Parque Industrial Escobedo
General Escobedo, N.L.,
México, 66062
+52 (81) 8384-8300
Fax: +52 (81) 8384-8360

