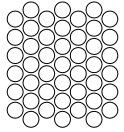
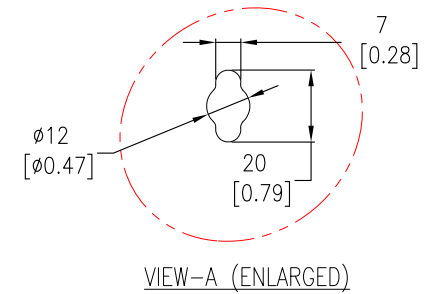
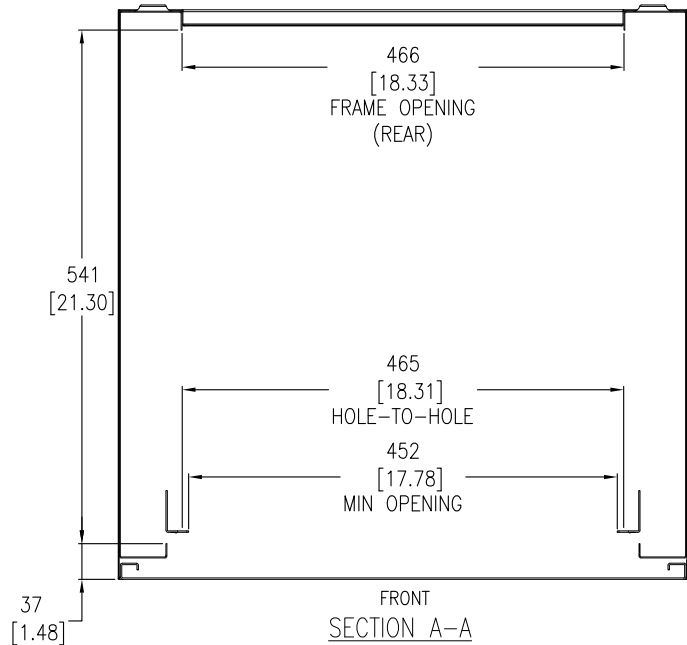


PERFORATED AREA  
(TYPICAL PATTERN)



WALL MOUNTING HOLES  
4 PLACES  
(REFER TO VIEW-A  
FOR DETAILS)



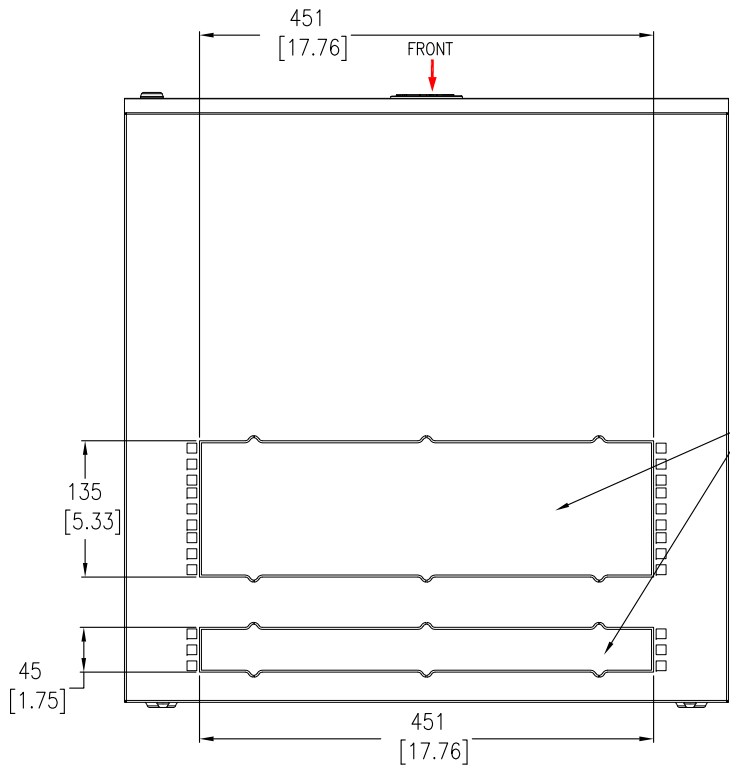
**NOTES:**

1. INSTALLATION MUST COMPLY WITH NATIONAL AND LOCAL ELECTRICAL REGULATIONS.
2. ENCLOSURE CAN BE REVERSED TO ACCOMMODATE VARIOUS CONFIGURATION, SO THAT DOOR OPENS IN THE OPPOSITE DIRECTION. PLEASE REFER TO THE PRODUCT MANUALS FOR DETAILED INFORMATION.
3. ALL DIMENSIONS ARE IN MILLIMETERS [INCHES].
4. NET WEIGHT OF UNIT IS 18.3kg [40.3 LBS].
5. CABLE ENTRY IS TOP OR BOTTOM OF UNIT.
6. AIR FLOW AND SERVICE REQUIREMENTS, AS WELL AS MINIMUM CLEARANCE TO FIRE SUPPRESSION SYSTEMS SHOULD BE CONSIDERED WHEN LOCATING THE ENCLOSURE.

THIS DRAWING AND SPECIFICATIONS HEREIN ARE THE PROPERTY OF SCHNEIDER ELECTRIC AND SHALL NOT BE COPIED, REPRODUCED OR USED IN WHOLE OR IN PART, AS THE BASIS FOR THE MANUFACTURE OR SALE OF ITEMS WITHOUT WRITTEN PERMISSION FROM SCHNEIDER ELECTRIC. THIS DRAWING IS BASED UPON LATEST AVAILABLE INFORMATION AND IS SUBJECT TO CHANGE WITHOUT NOTICE.

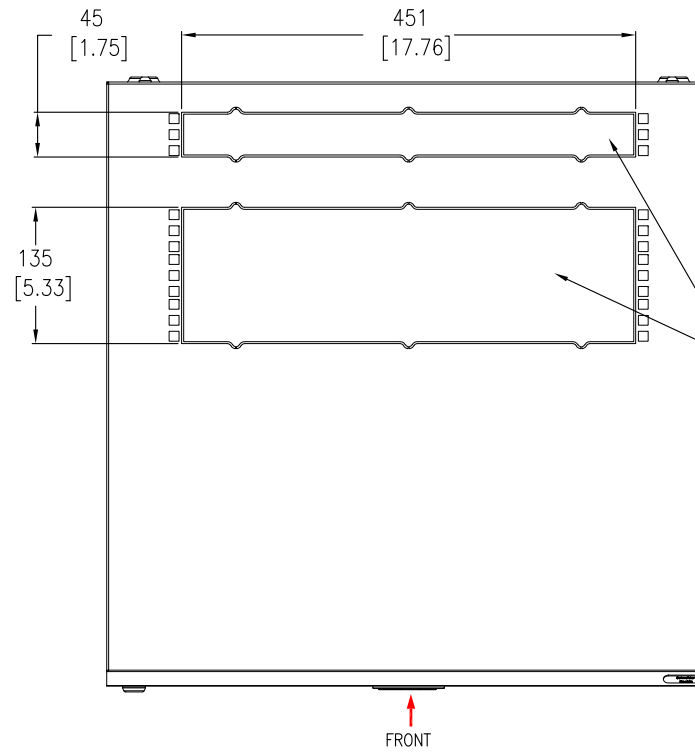


TITLE:	NetShelter WX 12U WALL MOUNT CABINET GENERAL ARRANGEMENT	DWG NO:	AR112	REV:	0
		DRAWN BY:	JAYAPRAKASH	11-MAY-15	FIRST ANGLE
		ENGINEER:	PETER FISCHER	11-MAY-15	PROJ
PROJECT: SUBMITTAL DRAWINGS	SHEET 1 OF 3	APPROVED BY:	GREG IVEY	11-MAY-15	



BOTTOM VIEW

KNOCKOUT AREA FOR  
BOTTOM CABLE ENTRY



TOP VIEW

KNOCKOUT AREA FOR  
TOP CABLE ENTRY

**NOTES:**

1. INSTALLATION MUST COMPLY WITH NATIONAL AND LOCAL ELECTRICAL REGULATIONS.
2. ALL DIMENSIONS ARE MILLIMETERS [INCHES].

THIS DRAWING AND SPECIFICATIONS HEREIN ARE THE PROPERTY OF SCHNEIDER ELECTRIC AND SHALL NOT BE COPIED, REPRODUCED OR USED IN WHOLE OR IN PART, AS THE BASIS FOR THE MANUFACTURE OR SALE OF ITEMS WITHOUT WRITTEN PERMISSION FROM SCHNEIDER ELECTRIC. THIS DRAWING IS BASED UPON LATEST AVAILABLE INFORMATION AND IS SUBJECT TO CHANGE WITHOUT NOTICE.



TITLE: NetShelter WX 12U  
WALL MOUNT CABINET  
TOP AND BOTTOM VIEWS

DWG NO: AR112

REV: 0

DRAWN BY: JAYAPRAKASH 11-MAY-15

FIRST

ENGINEER: PETER FISCHER 11-MAY-15

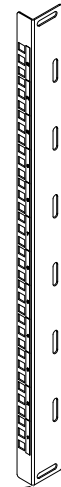
ANGLE

APPROVED BY: GREG IVEY 11-MAY-15

PROJ

PROJECT: SUBMITTAL DRAWINGS SHEET 2 OF 3

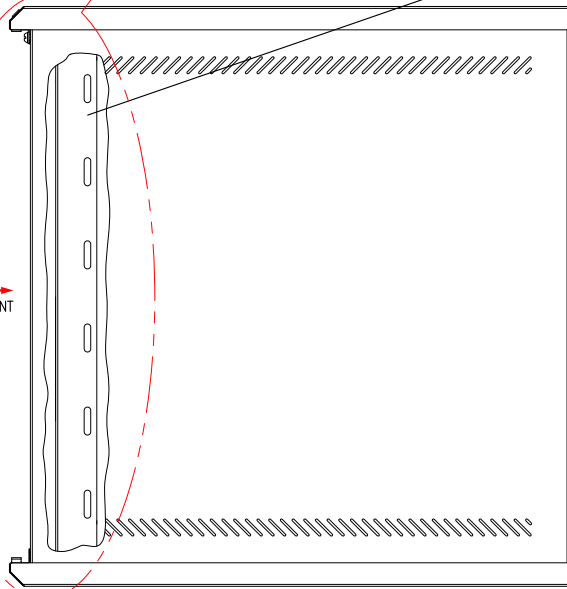
MOUNTING FLANGE



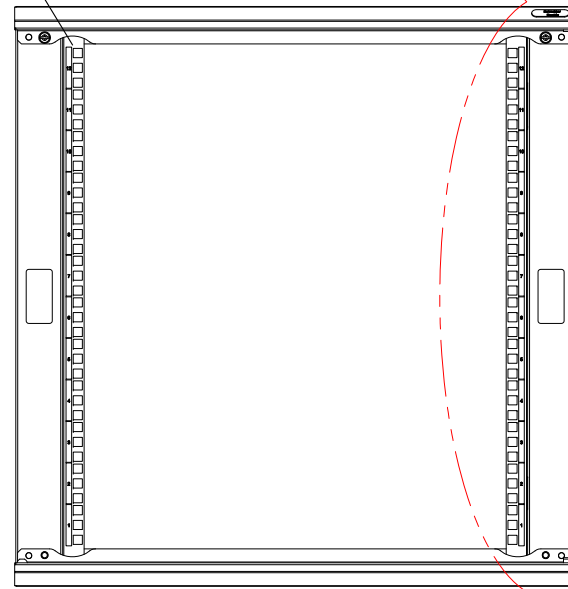
REFER TO VIEW - C

REFER TO VIEW - B

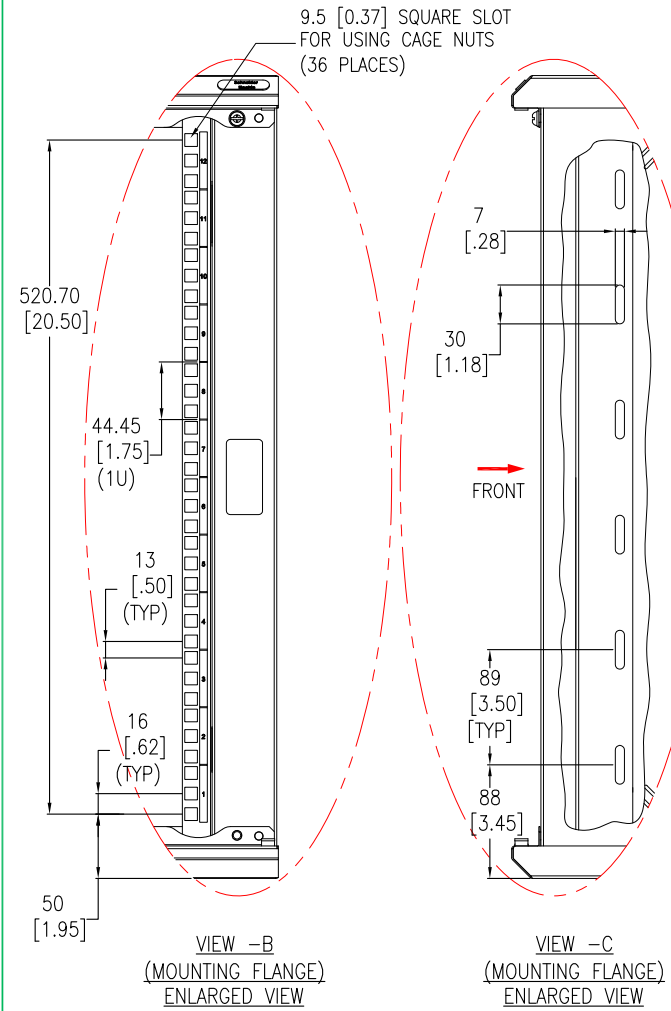
FRONT



RIGHT SIDE VIEW



FRONT VIEW  
(FRONT DOOR REMOVED)



VIEW -B  
(MOUNTING FLANGE)  
ENLARGED VIEW

VIEW -C  
(MOUNTING FLANGE)  
ENLARGED VIEW

NOTES:

1. INSTALLATION MUST COMPLY WITH NATIONAL AND LOCAL ELECTRICAL REGULATIONS.
2. ALL DIMENSIONS ARE MILLIMETERS [INCHES].

THIS DRAWING AND SPECIFICATIONS HEREIN ARE THE PROPERTY OF SCHNEIDER ELECTRIC AND SHALL NOT BE COPIED, REPRODUCED OR USED IN WHOLE OR IN PART, AS THE BASIS FOR THE MANUFACTURE OR SALE OF ITEMS WITHOUT WRITTEN PERMISSION FROM SCHNEIDER ELECTRIC. THIS DRAWING IS BASED UPON LATEST AVAILABLE INFORMATION AND IS SUBJECT TO CHANGE WITHOUT NOTICE.



TITLE: NetShelter WX 12U WALL MOUNT CABINET  
INTERNAL VIEW & MOUNTING DETAILS

DWG NO: AR112

REV: 0

DRAWN BY: JAYAPRAKASH 11-MAY-15

FIRST ANGLE

ENGINEER: PETER FISCHER 11-MAY-15

PROJ

PROJECT: SUBMITTAL DRAWINGS SHEET 3 OF 3

APPROVED BY: GREG IVEY 11-MAY-15