

# SMART Board M700 series interactive whiteboard

Models: SBM777-43 • SBM787 • SBM794-169 • SBM797 • SBM777V-43 • SBM787V • SBM794V-169 • SBM797V

(x1): SBM777-43  
SBM777V-43

(x2): SBM787 • SBM794-169 • SBM797  
SBM787V • SBM794V-169 • SBM797V

(x2) (x2) (x2)

(x4) (x4)

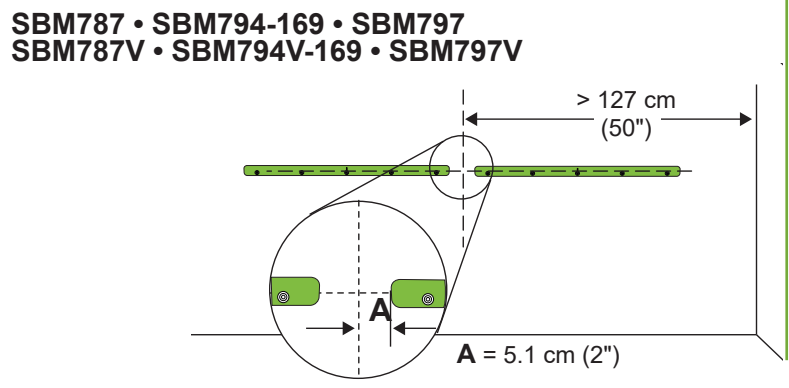
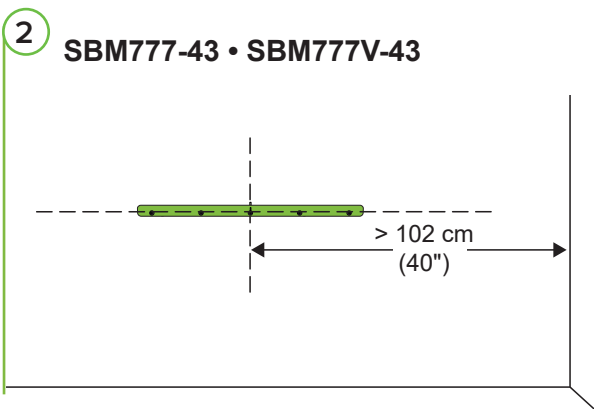
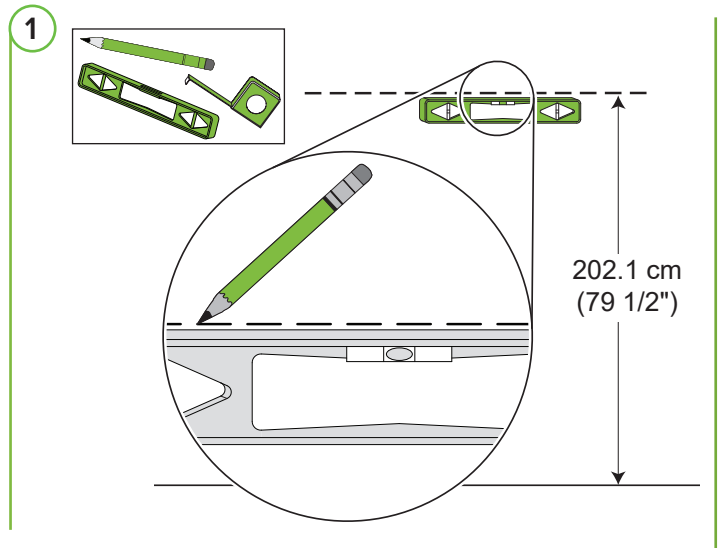
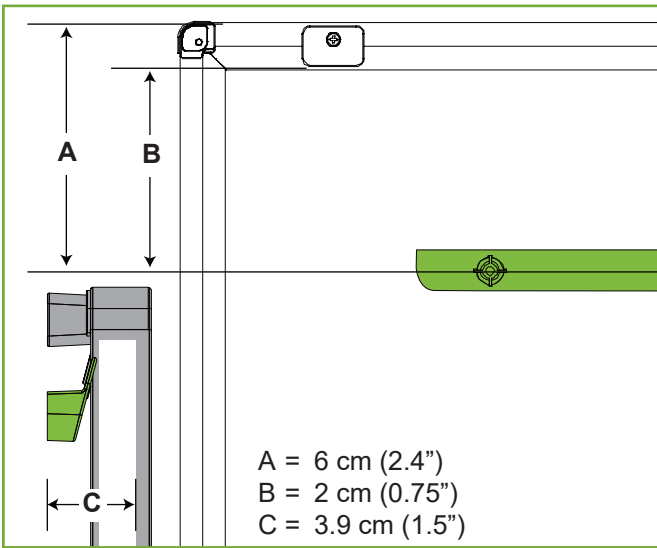
**SBM777V-43 • SBM787V  
SBM794V-169 • SBM797V**

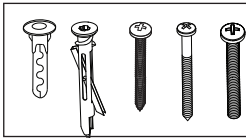
**SBM777-43 • SBM787  
SBM794-169 • SBM797**

(x7) / (x12) (x7) / (x12)

[smarttech.com/kb/170475](http://smarttech.com/kb/170475)  
(SMART Order #: 1020342)

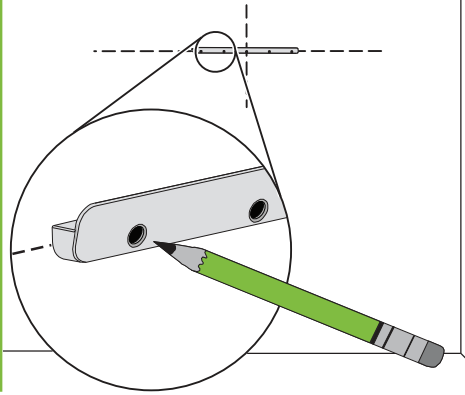
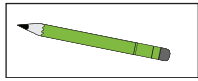
SBM777-43 • SBM777V-43 (x1)  
SBM787 • SBM794-169 • SBM797 (x2)  
SBM787V • SBM794V-169 • SBM797V (x2)



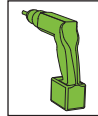
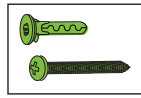
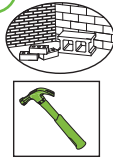


5× SBM777-43 • SBM777V-43  
 10× SBM787 • SBM794-169 • SBM797  
 SBM787V • SBM794V-169 • SBM797V

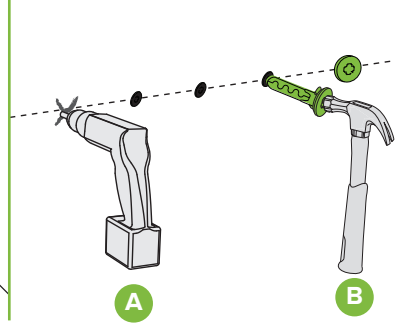
3



4

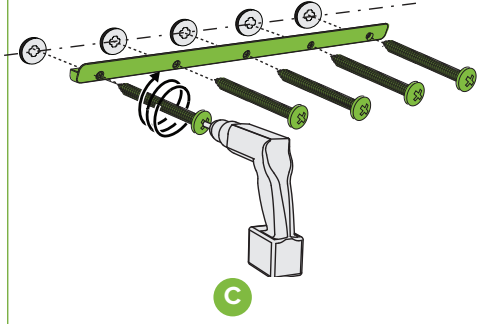


(×1) SBM777-43 • SBM777V-43  
 (×2) SBM787 • SBM794-169 • SBM797  
 SBM787V • SBM794V-169 • SBM797V



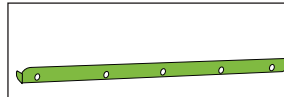
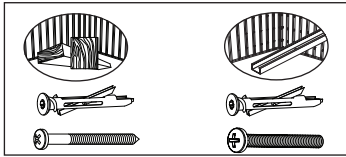
A

B

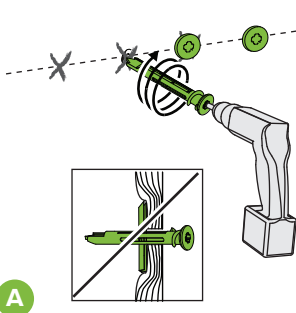


C

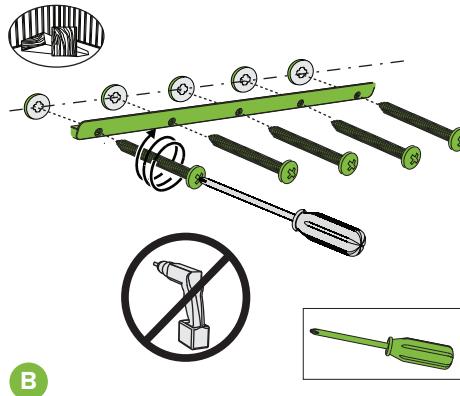
5



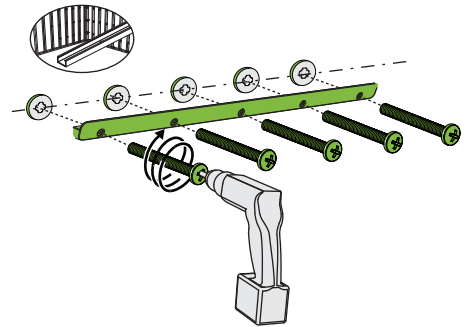
(×1) SBM777-43 • SBM777V-43  
 (×2) SBM787 • SBM794-169 • SBM797  
 SBM787V • SBM794V-169 • SBM797V



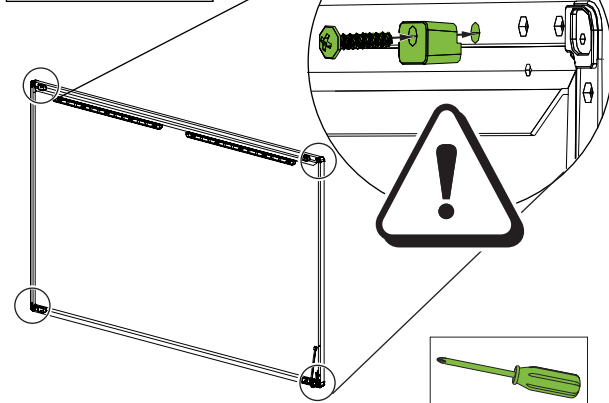
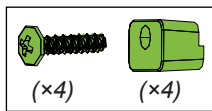
A



B

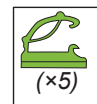


6

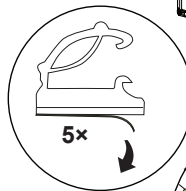


7

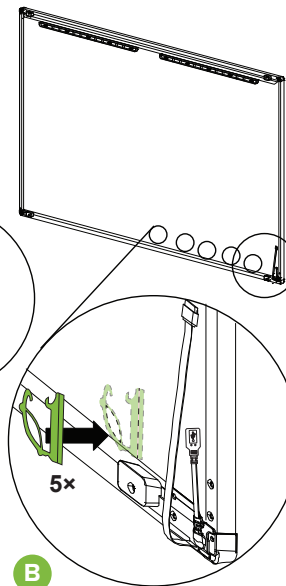
SBM777-43 • SBM787 • SBM794-169 • SBM797



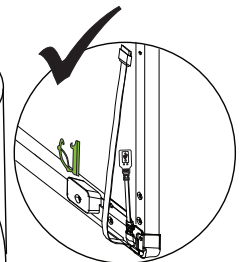
(×5)



A

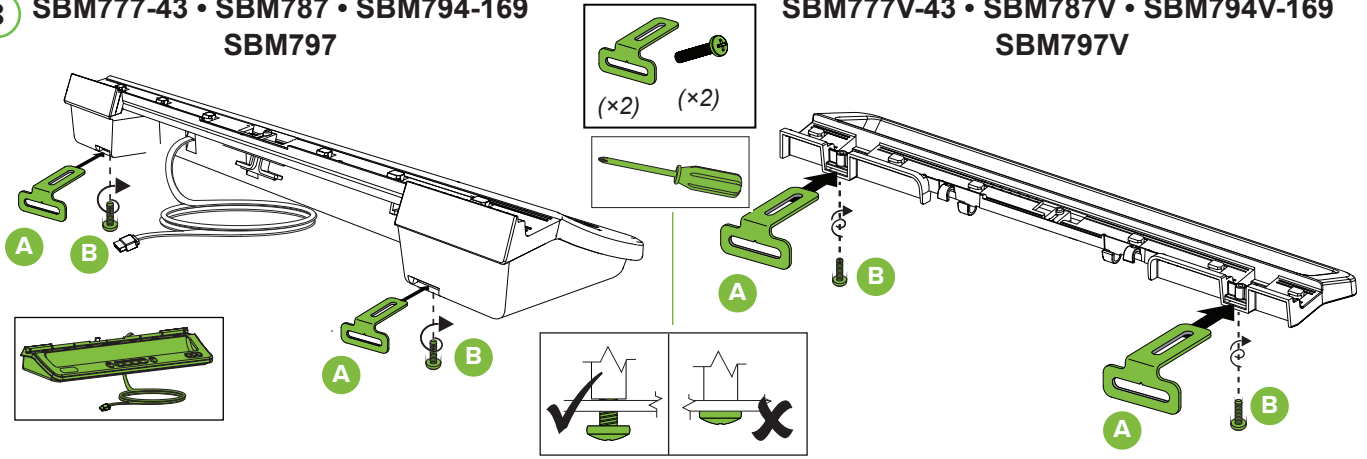


B

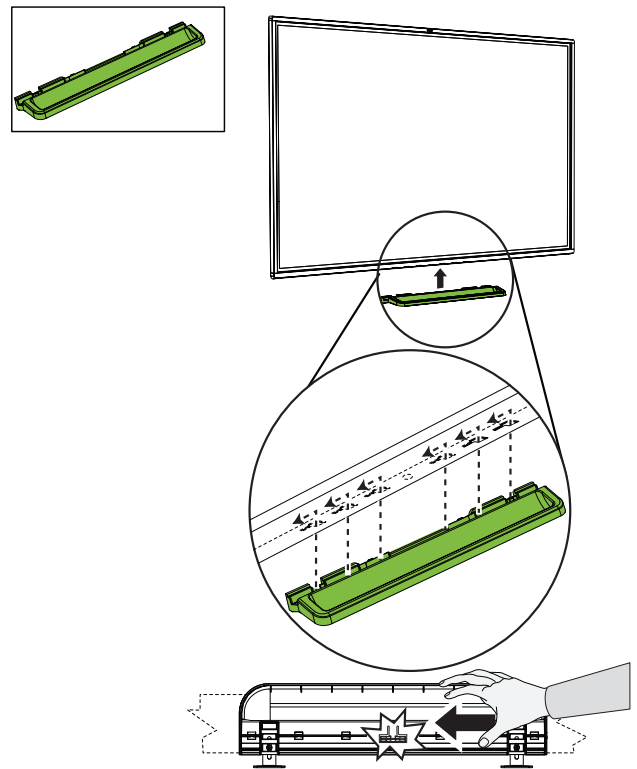
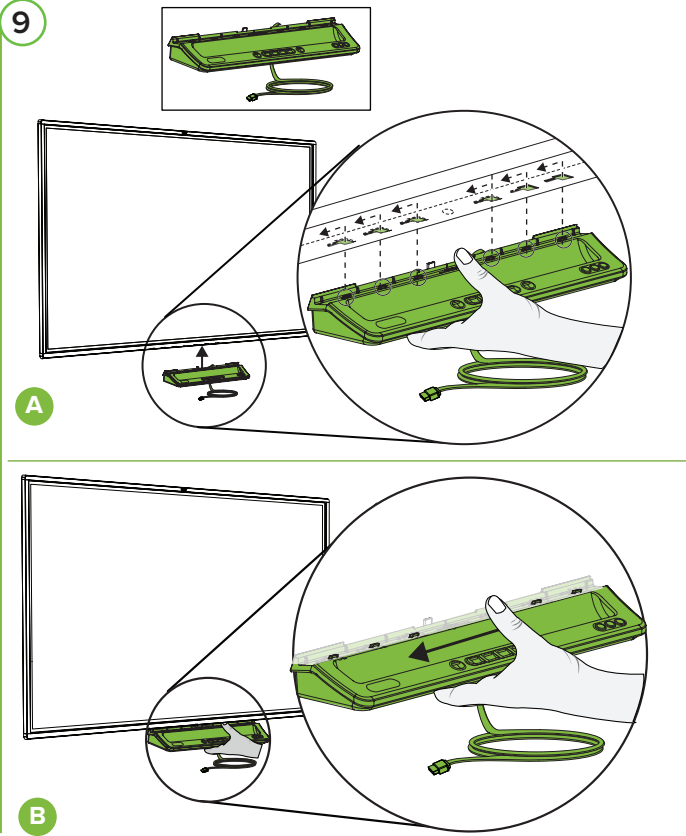


8 SBM777-43 • SBM787 • SBM794-169  
SBM797

SBM777V-43 • SBM787V • SBM794V-169  
SBM797V

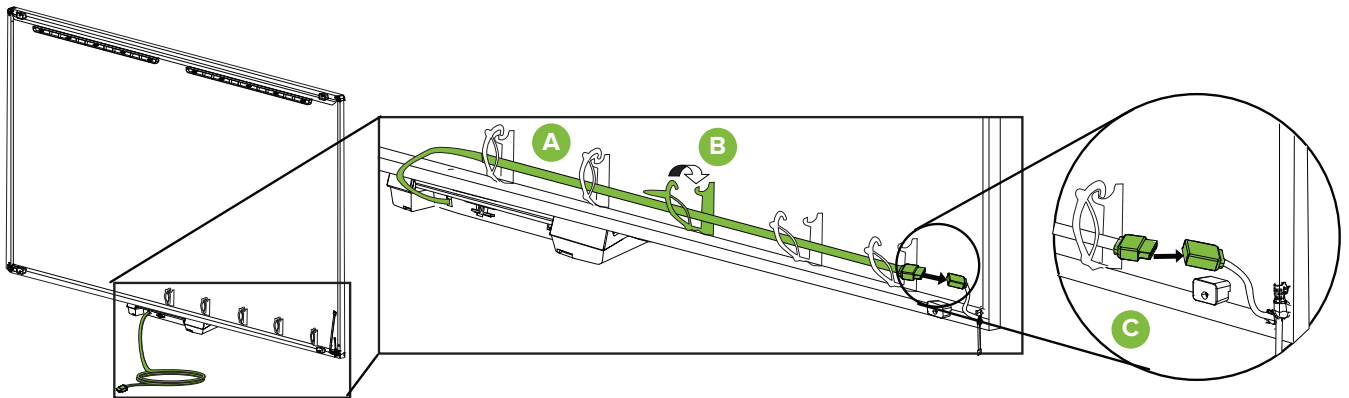


9



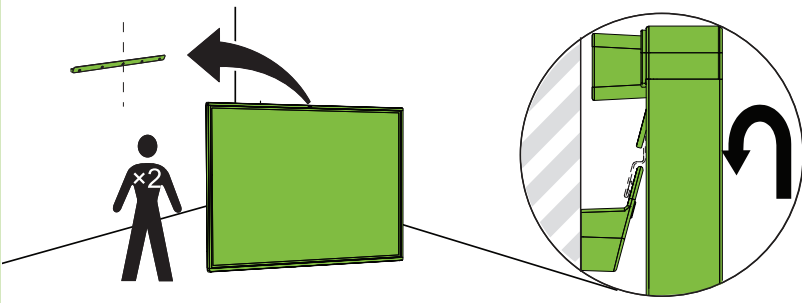
10

SBM777-43 • SBM787 • SBM794-169 • SBM797

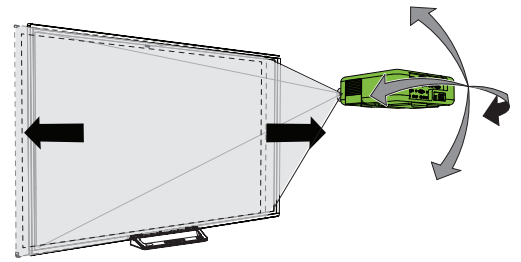


11

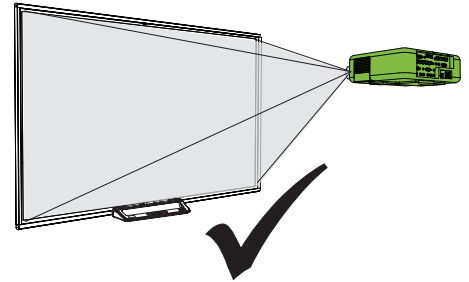
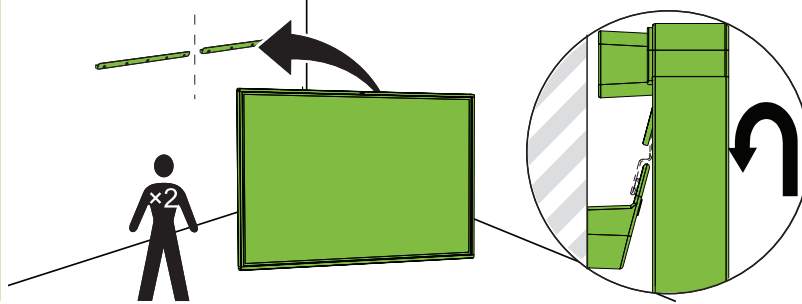
SBM777-43 • SBM777V-43



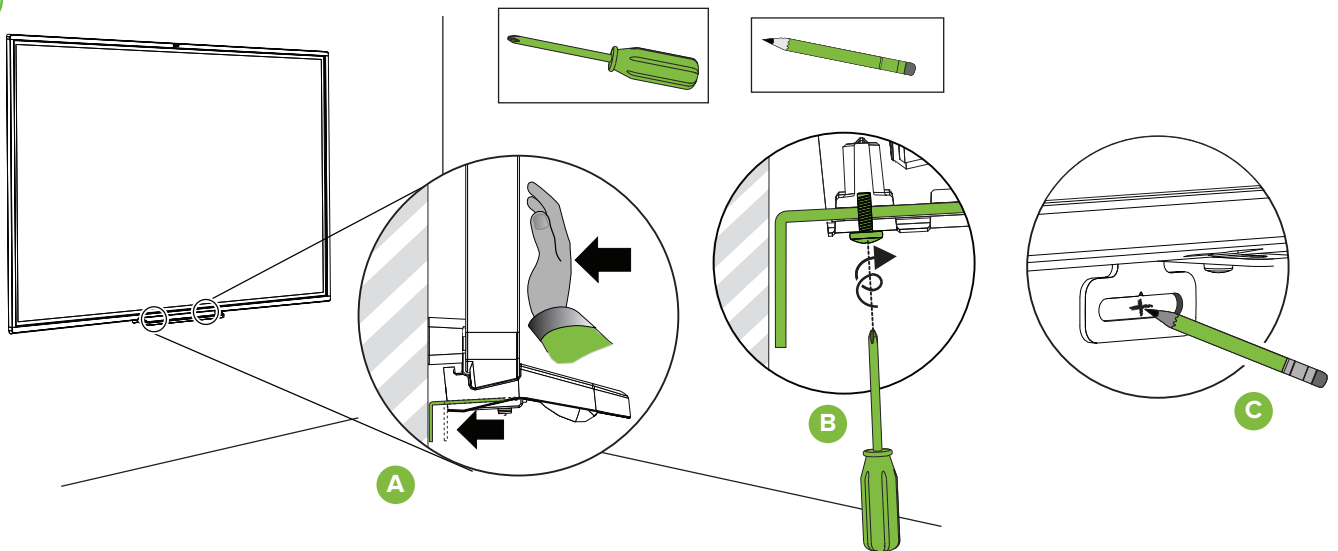
12



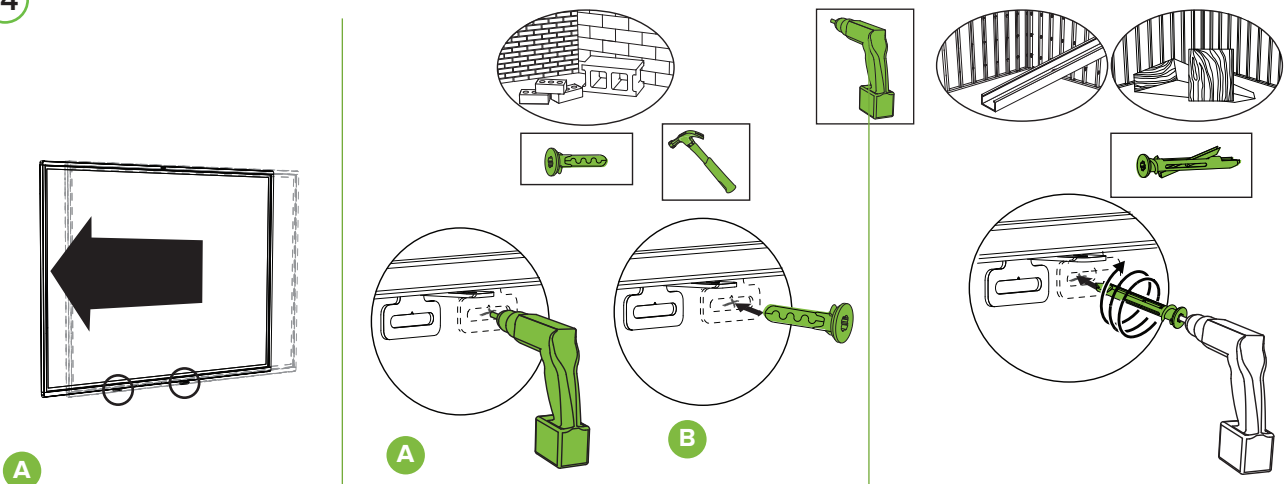
SBM787 • SBM794-169 • SBM797  
SBM787V • SBM794V-169 • SBM797V



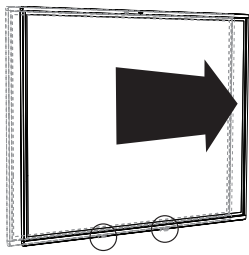
13



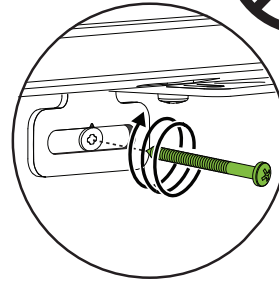
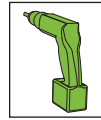
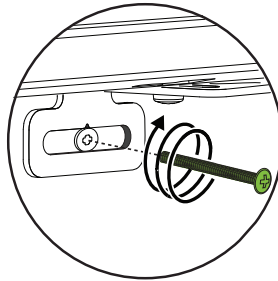
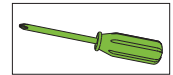
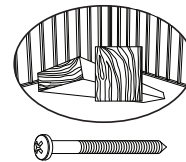
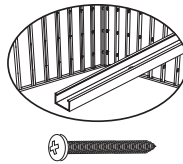
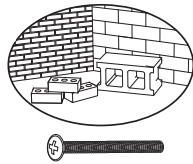
14



15

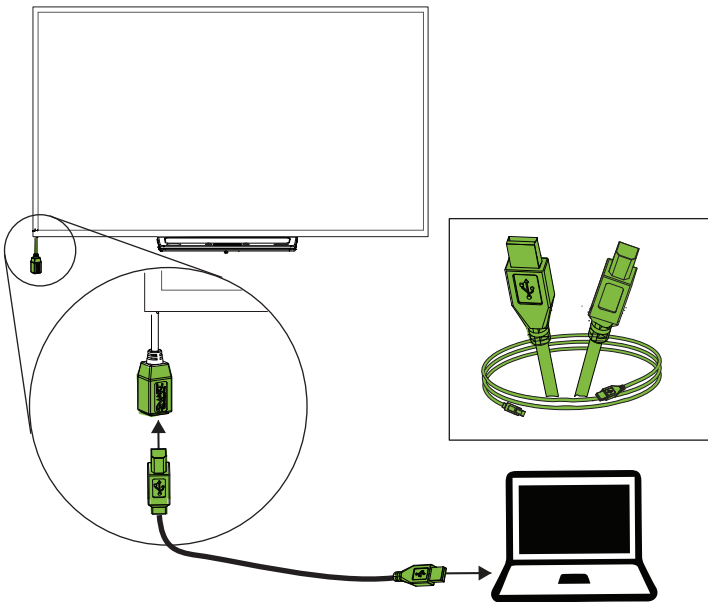


A

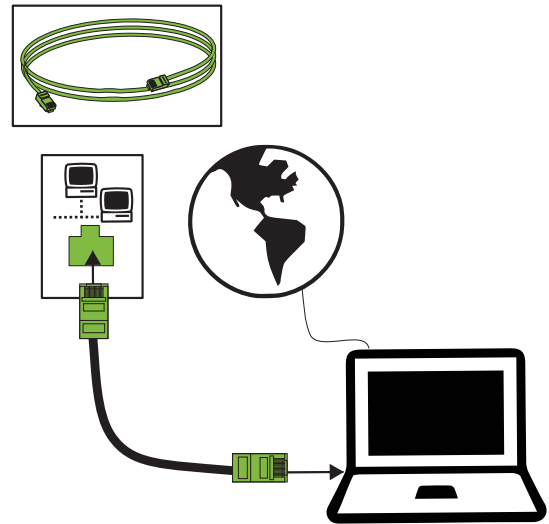


B

16



17



Was this document helpful?  
[smarttech.com/docfeedback/171771](https://smarttech.com/docfeedback/171771)

### Hardware environmental compliance

SMART Technologies supports global efforts to ensure that electronic equipment is manufactured, sold and disposed of in a safe and environmentally friendly manner.



#### Waste Electrical and Electronic Equipment and Battery regulations (WEEE and Battery directives)

Electrical and electronic equipment and batteries contain substances that can be harmful to the environment and to human health. The crossed-out wheeled bin symbol indicates that products should be disposed of in the appropriate recycling stream and not as regular waste.

See [smarttech.com/compliance](https://smarttech.com/compliance) for more information



[support.smarttech.com](https://support.smarttech.com)  
[support.smarttech.com/forms/contact](https://support.smarttech.com/forms/contact)

**SMART**

1036255-04

KB 171771