



FS-MIS38426

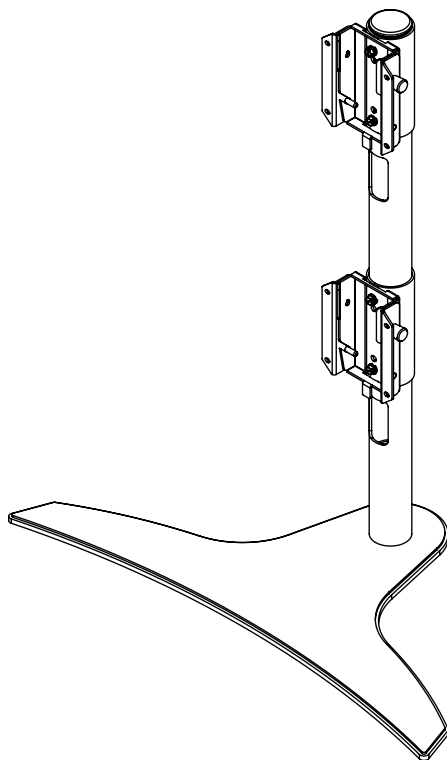
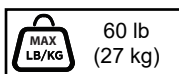
For Samsung Super Ultra Wide Curved Monitor

43": LC43J890DKNXZA

49": C49HG90DMN

49": LC49J890DKNXZA

49": LC49RG90SSNXZA



⚠ WARNING

ENG - Do not begin to install product until you have read and understood the instructions and warnings contained in this user guide. Always use an assistant or mechanical lifting equipment to safely lift and position equipment. This product must be installed onto flat, hard, level surface to prevent tipping. Use with heavier displays may result in instability causing tip over resulting in death or serious injury. The stand is not affixed or secured to the surface, and may therefore tip over and/or fall if screen and/or stand is shaken or hit. This product is intended for indoor use only. Use of this product outdoors could lead to product failure or personal injury. Screws must be tightly secured. Do not overtighten screws or damage can occur and product may fail. Never exceed the Maximum Load Capacity. Be careful not to pinch fingers when operating the mount. Death or serious injury may occur when children climb on audio and/or video equipment furniture. A remote control or toys placed on the furnishing may encourage a child to climb on the furnishing and as a result the furnishing may tip over on to the child. Relocating audio and/or video equipment to furniture not specifically designed to support audio and/or video equipment may result in death or serious injury due to the furnishing collapsing or over turning onto a child. For support please call customer care at 1-800-865-2112.

ENG Symbols



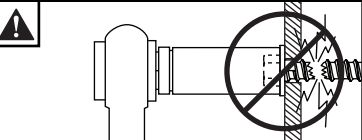
ENG WARNING



ENG Skip to step.



ENG Screws must get at least three full turns and fit snug.



ENG Do not overtighten screws.

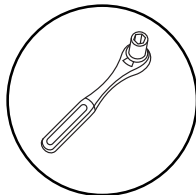
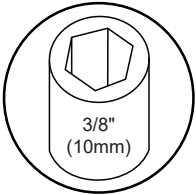


ENG Display center.



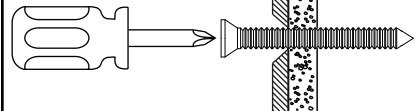
ENG Listen

ENG Tools Needed for Assembly.

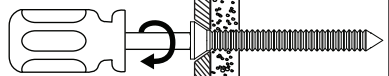


ENG To properly tighten screws: Tighten until screw head makes contact, then tighten another 1/2 turn. Do not overtighten screws.

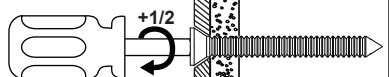
1



2



3



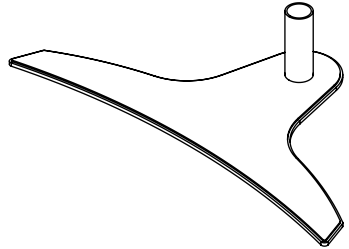
4



ENG Parts (Before beginning, make sure you have all parts shown below).

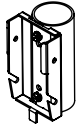
Parts List		
Description	Qty	Part #
A base plate	1	091-1207
B adaptor support	2	091-1211
C right adaptor bracket	2	091-1243
D left adaptor bracket	2	091-1244
E support tube	1	091-1219
F M6 x 6mm hex set screw	2	510-9150
G M4 x 10mm socket pin screw	8	520-1060
H 1/4-20 x 3/8 socket pin	2	520-1109
I 1/4-20 x 3/4 hex head screw	4	520-1321
J 1/4 x 1/2 x .068 split washer	4	540-9402
K 4mm allen wrench	1	560-9646
L foam strip 48"	1	570-1170
M adhesive pad	6	570-1168
N 3mm allen wrench	1	560-0194

A (1)
base plate



B (2)

adaptor support



C (2)

right adaptor bracket



D (2)

left adaptor bracket



E (1)

support tube



F (2)

M6 x 6mm
hex set screw



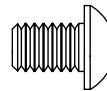
G (8)

M4 x 10mm



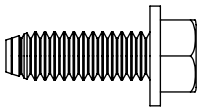
H (2)

1/4-20 X 3/8



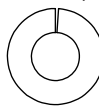
I (4)

1/4-20 x 3/4



J (4)

1/4 x 1/2 x .068 split washer



K (1)

4mm allen wrench



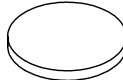
L (1)

foam strip



M (6)

adhesive pad



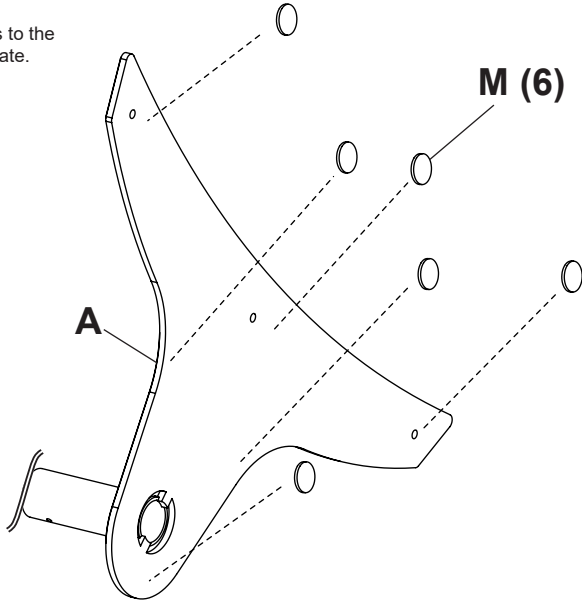
N (1)

3mm allen wrench



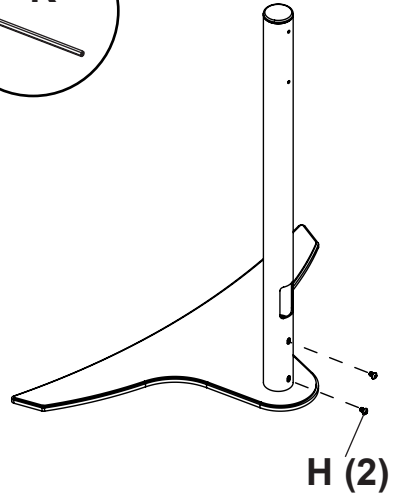
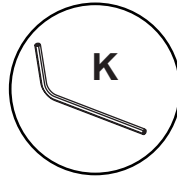
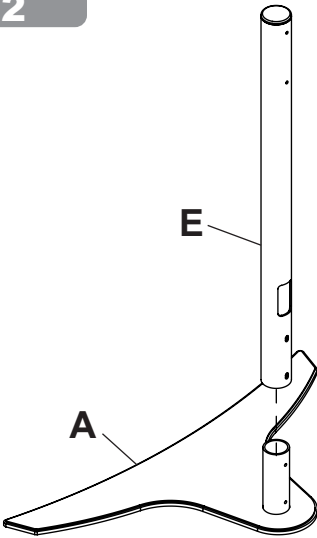
1

ENG Attach adhesive pads to the bottom of the base plate.

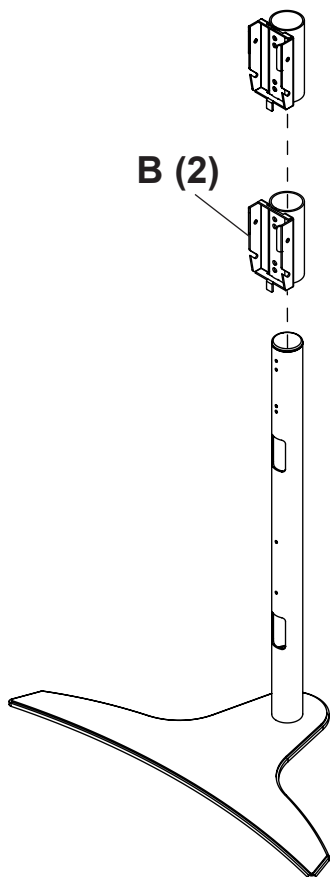


2

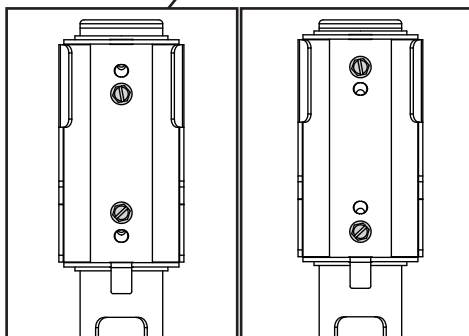
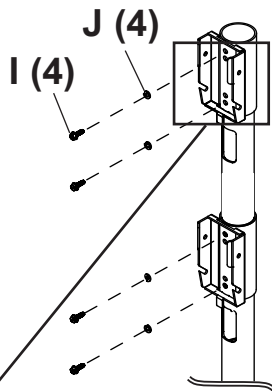
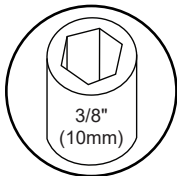
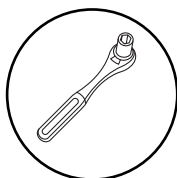
2-1



3

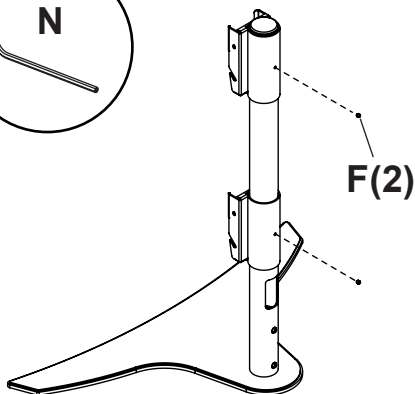
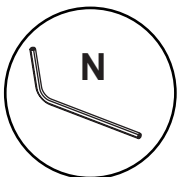


3-1



Samsung Super Ultra Wide Curved Monitor 43" (LC43J890DKNXZA) Samsung Super Ultra Wide Curved Monitor 49" (C49HG90DMN)
49" (LC49RG90SSNXZA) 49" (LC49J890DKNXZA)

3-2



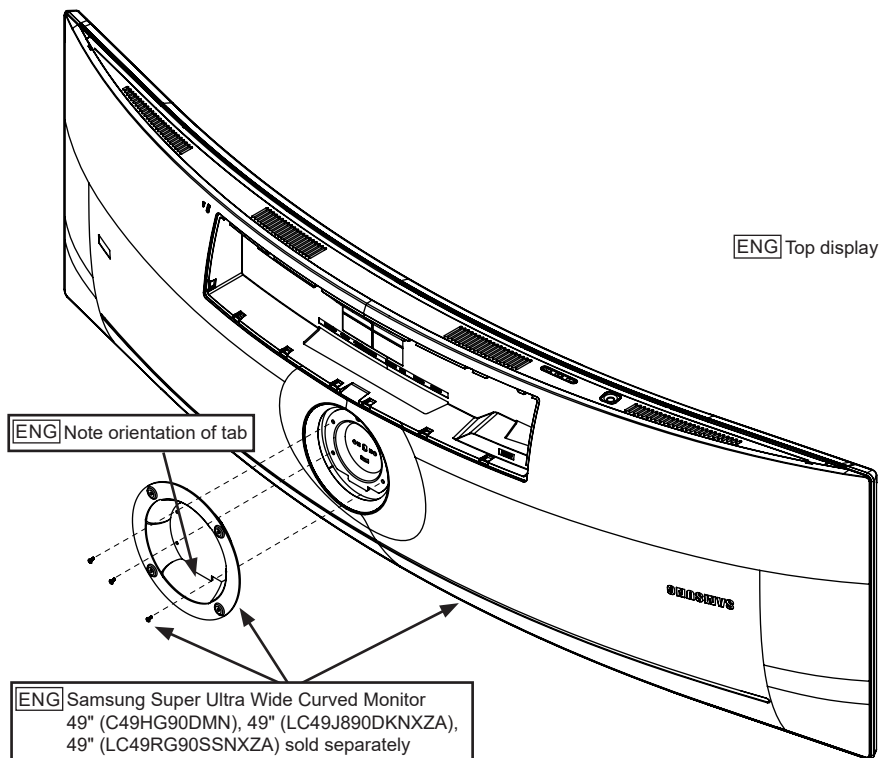


49" (C49HG90DMN),
49" (LC49J890DKNXZA)
49" (LC49RG90SSNXZA)

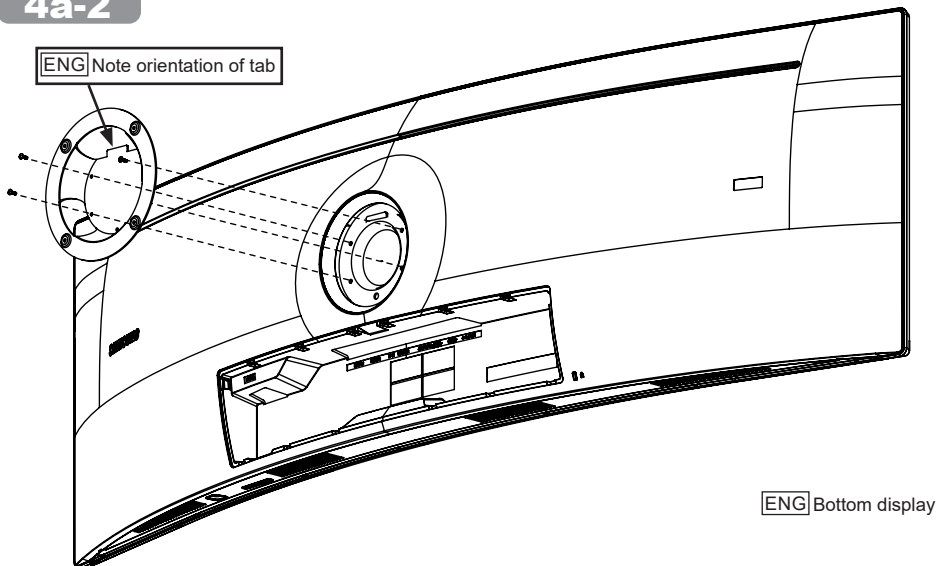


43" (LC43J890DKNXZA)

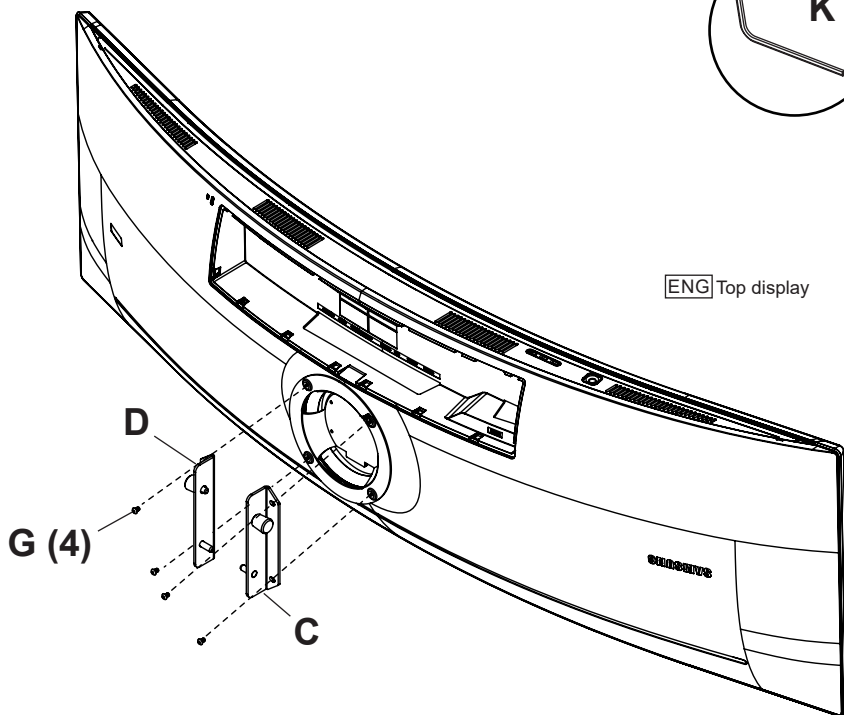
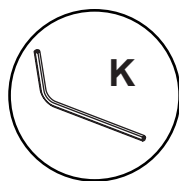
4a-1



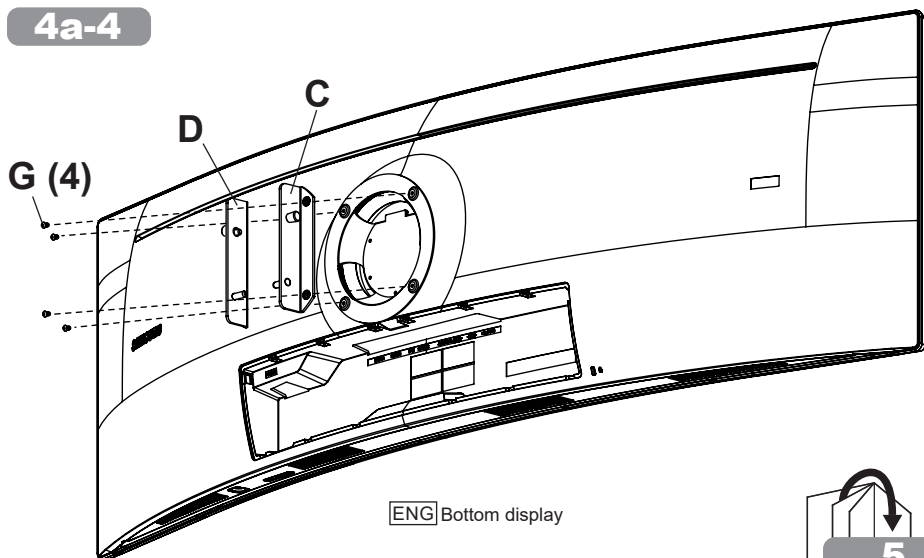
4a-2



4a-3

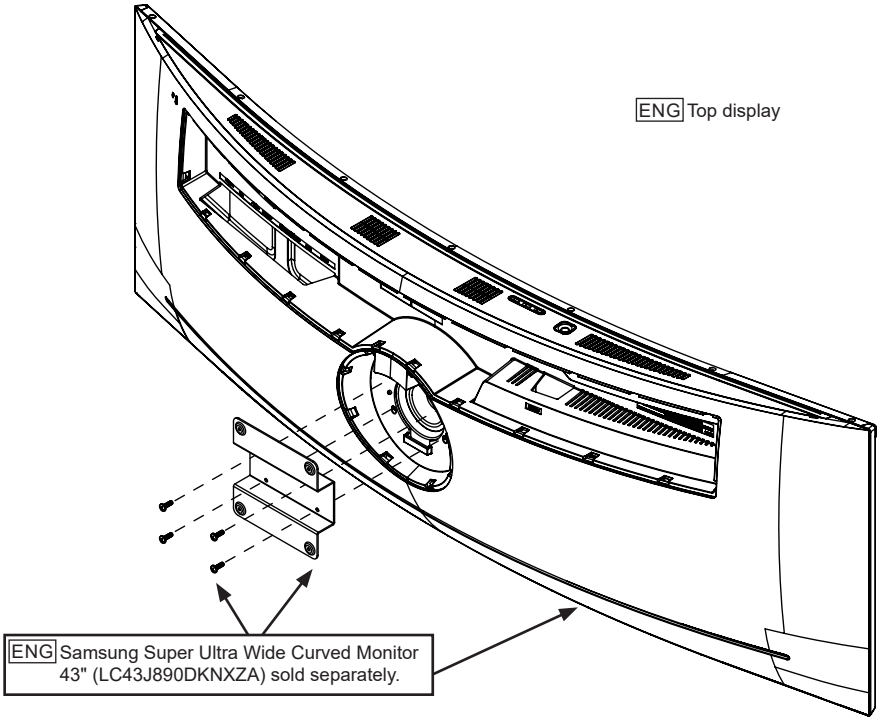


4a-4

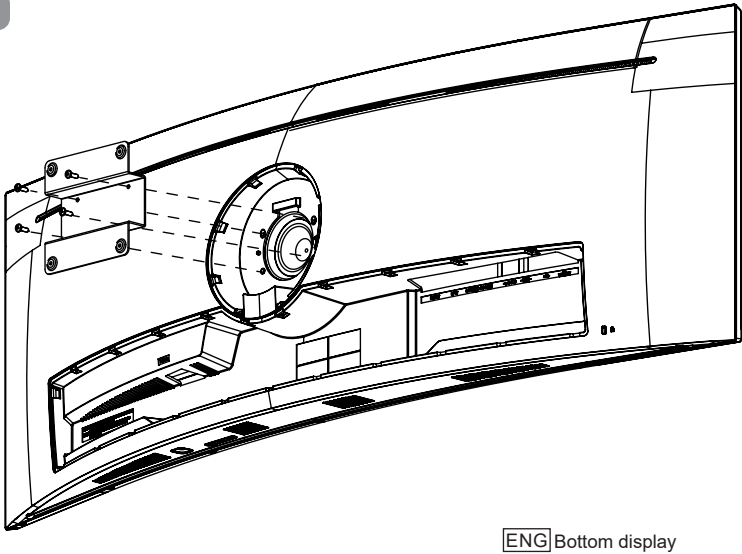


ENG This page intentionally left blank.

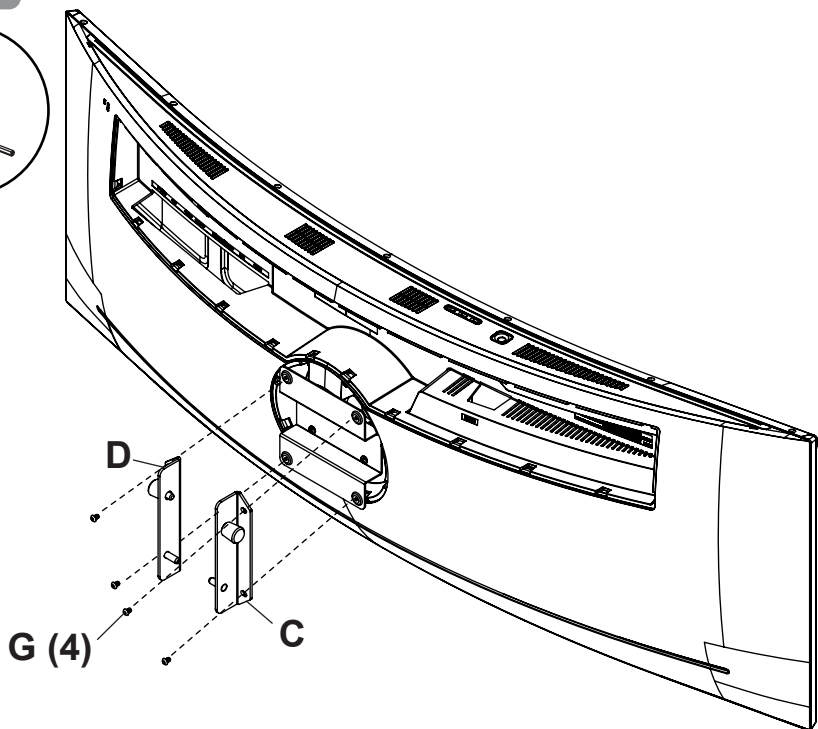
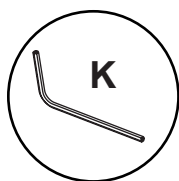
4b-1



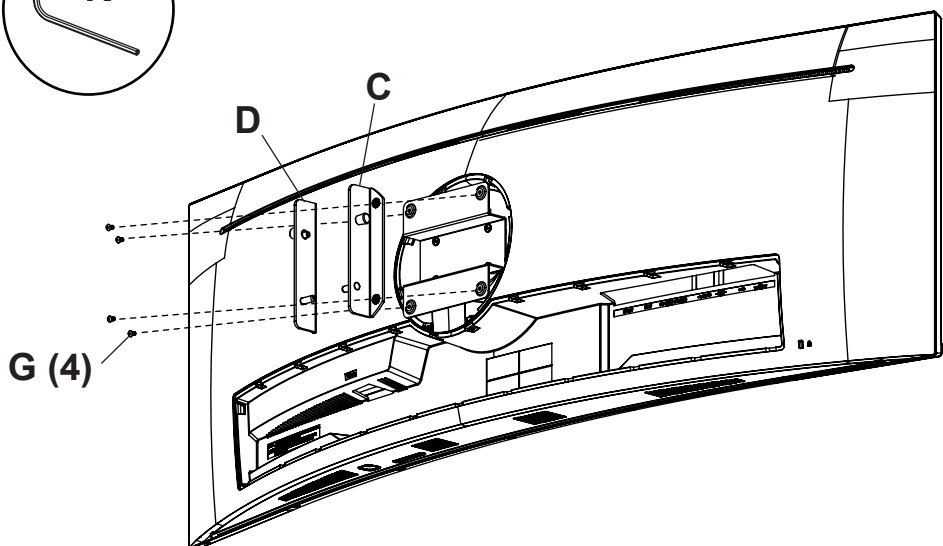
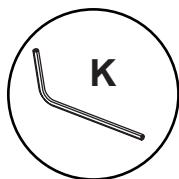
4b-2



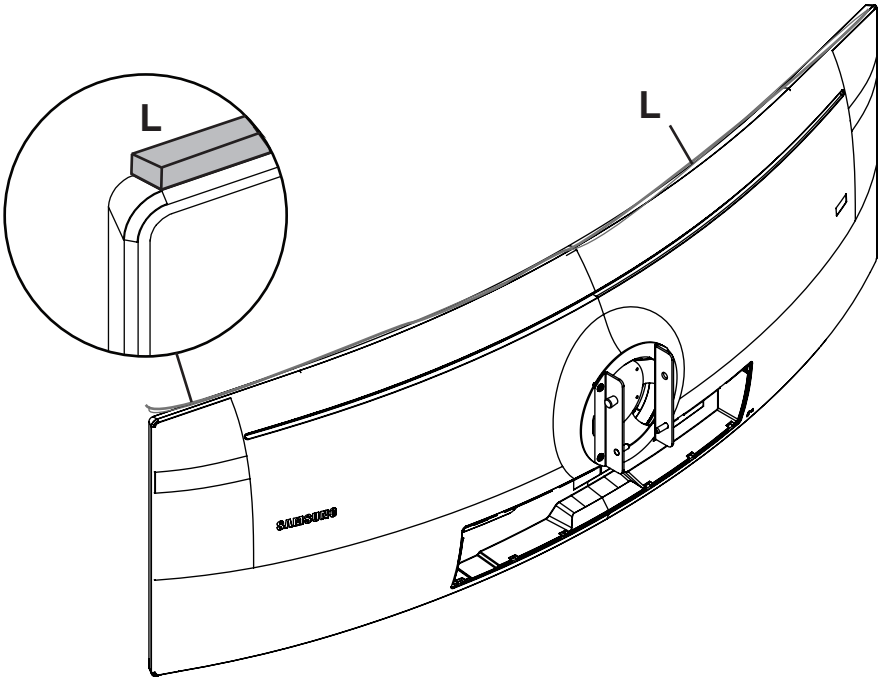
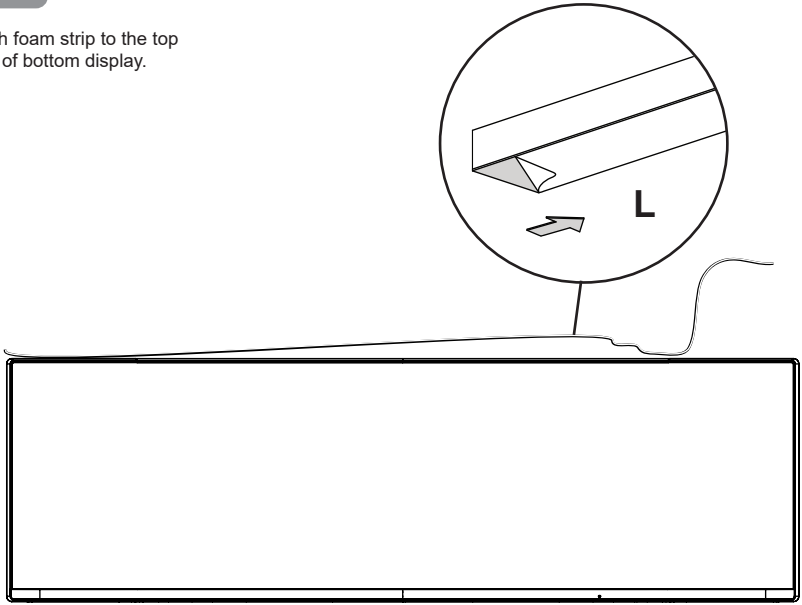
4b-3



4b-4

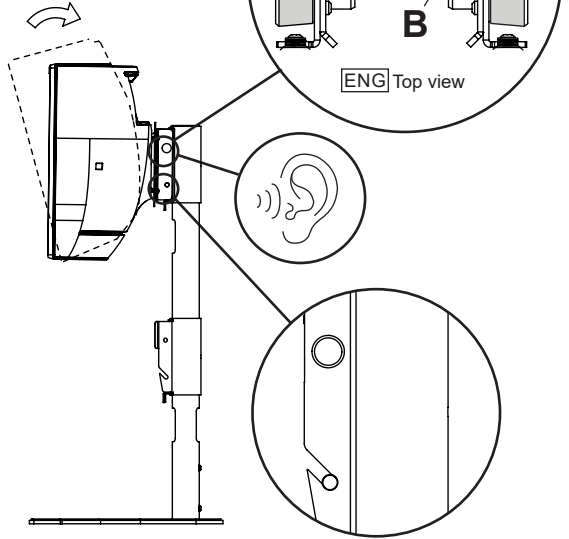
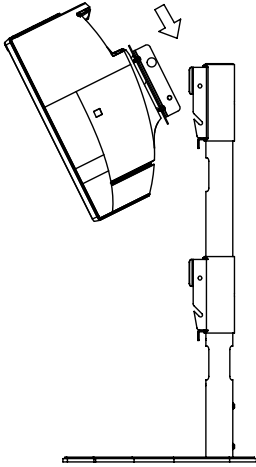


ENG Attach foam strip to the top edge of bottom display.



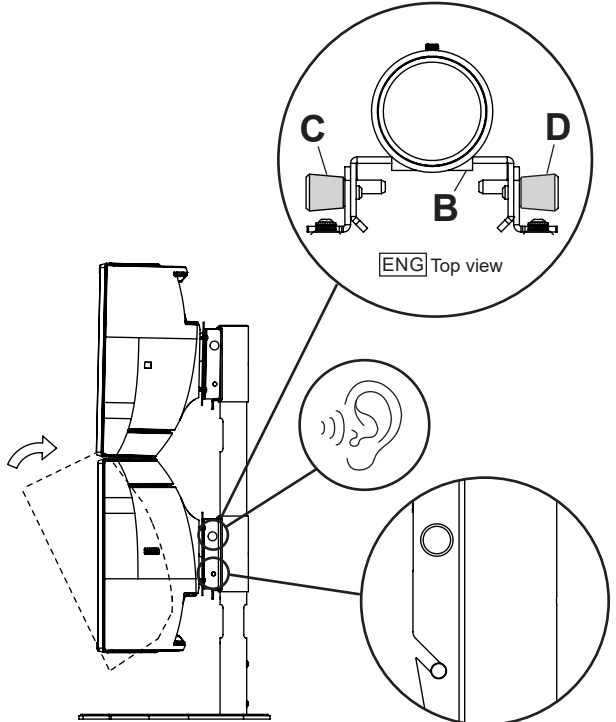
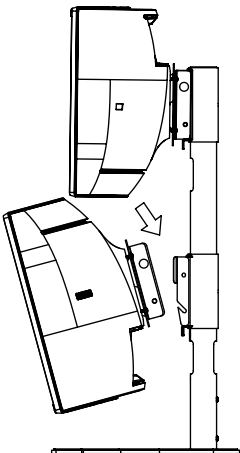
6-1

ENG Attach top display first.



6-2

ENG Attach bottom display.

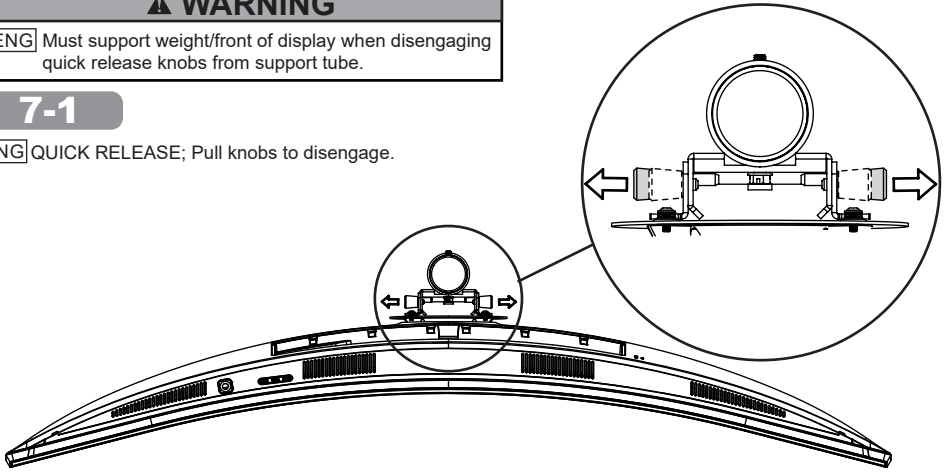


▲ WARNING

ENG Must support weight/front of display when disengaging quick release knobs from support tube.

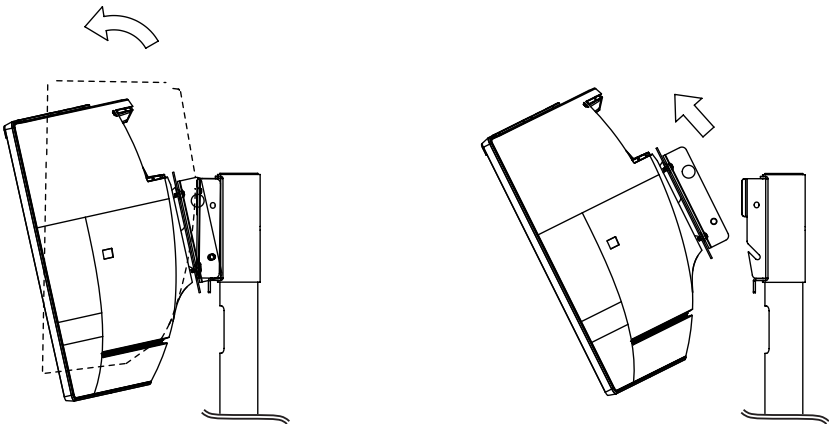
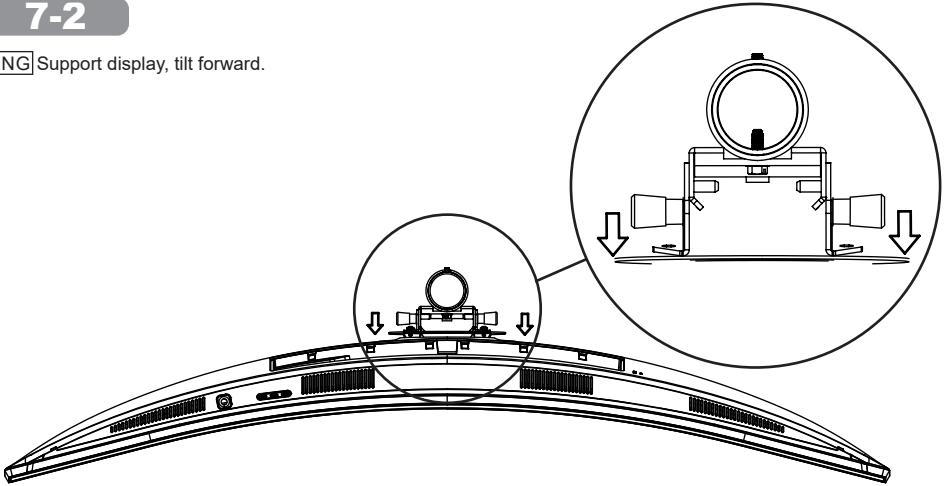
7-1

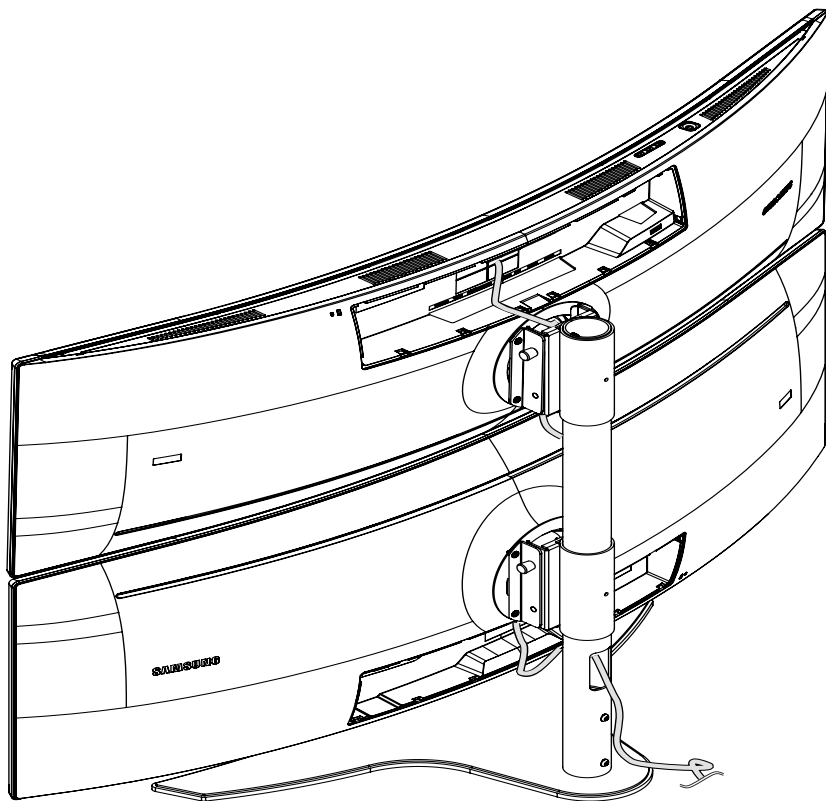
ENG QUICK RELEASE; Pull knobs to disengage.



7-2

ENG Support display, tilt forward.





ENG	Warranty	ESP	Garantía	FRN	Garantie	DEU	Garantie	NEL	Garantie
ITL	Garanzia	ČES	Záruka	SLK	Záruka	POR	Garantia	TÜR	Garanti

www.peerless-av.com/warranty

peerless-AV[®]

Peerless-AV

2300 White Oak Circle
Aurora, IL 60502
Email: tech@peerlessmounts.com
Ph: (800) 865-2112
Fax: (800) 359-6500
www.peerless-av.com

© 2020, Peerless Industries, Inc.

Peerless-AV Europe

Unit 3 Watford Interchange,
Colonial Way, Watford, Herts,
WD24 4WP, United Kingdom
Customer Care
44 (0) 1923 200 100
www.peerless-av.com

© 2020, Peerless Industries, Inc.

Peerless-AV América Latina

Av. de las Industrias 413
Parque Industrial Escobedo
General Escobedo N.L., México 66062
Servicio al Cliente
01-800-849-65-77
www.peerless-av.com

© 2020, Peerless Industries, Inc.