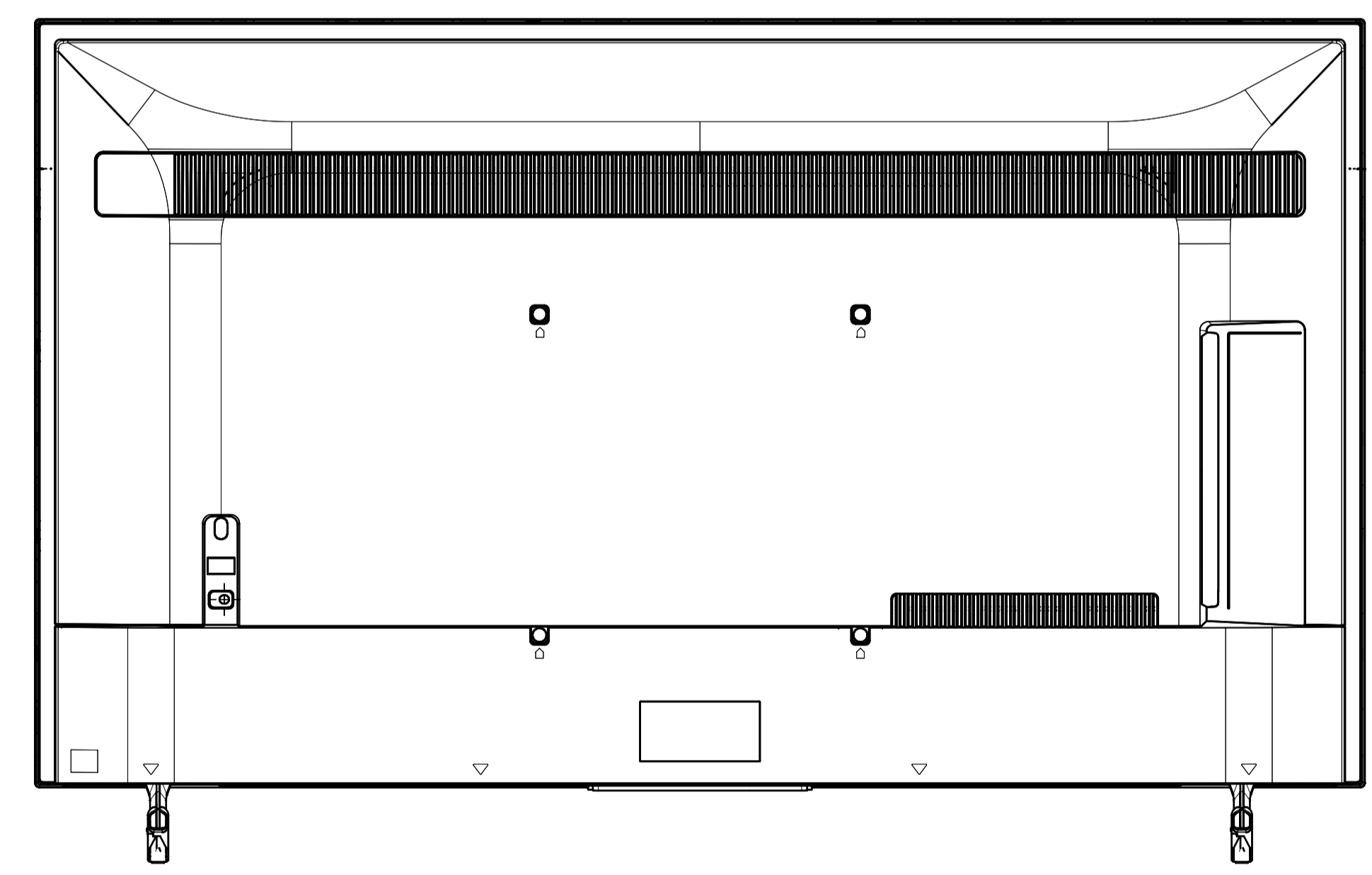


Area	JAPAN	EUROPE	GENERAL AREA	
Model Name	KJ-55X75WL	KD-55X75WL	KD-55X75WL	
SV No.	SV-41564	SV-41530	SV-41727	
DIMENSION	TV only (W x H x D)	124.3 x 72.1 x 7.1 cm	Approx. 124.3 x 72.1 x 7.1 cm	Approx. 124.3 x 72.1 x 7.1 mm
	TV only with camera (W x H x D)	-	-	-
	TV with Stand (Standard position) (W x H x D)	124.3 x 78.9 x 33.4 cm	Approx. 124.3 x 78.9 x 33.4 cm	Approx. 124.3 x 78.9 x 33.4 mm
	TV with Stand (Narrow position) (W x H x D)	-	Approx. 124.3 x 78.9 x 33.4 cm	-
	TV with Stand (Soundbar position) (W x H x D)	-	-	-
	TV with Stand (Front position style) (W x H x D)	-	-	-
	TV with Stand (Back position style) (W x H x D)	-	-	-
	TV with Floor Stand (W x H x D)	-	-	-
	Stand Width (Standard position)	102.8 cm	Approx. 102.8 cm	Approx. 1028 mm
	Stand Width (Narrow position)	-	-	-
WEIGHT	TV Only	15.3 kg	Approx. 15.3 kg	Approx. 15.3 kg
	TV with Stand (Standard position)	15.6 kg	Approx. 15.6 kg	Approx. 15.6 kg
	TV with Stand (Narrow position)	-	Approx. 15.6 kg	-
	TV with Stand (Soundbar position)	-	-	-
	TV with Stand (Front/Back position style)	-	-	-
	TV with Floor Stand	-	-	-
	Floor Stand weight (Supply)	-	-	-
	W-M't Br. Weight (Supply)	-	-	-
Remarks		2way		

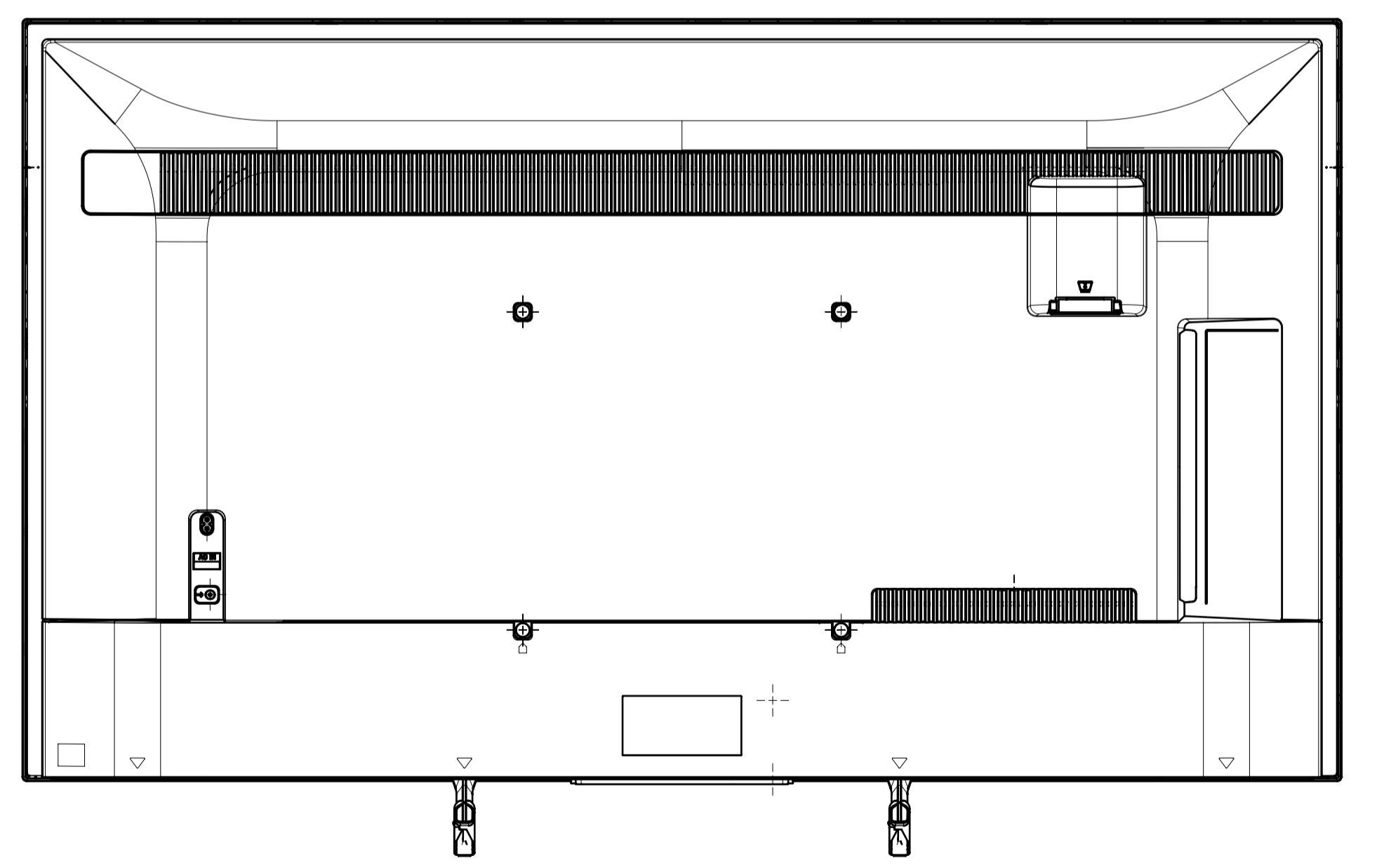
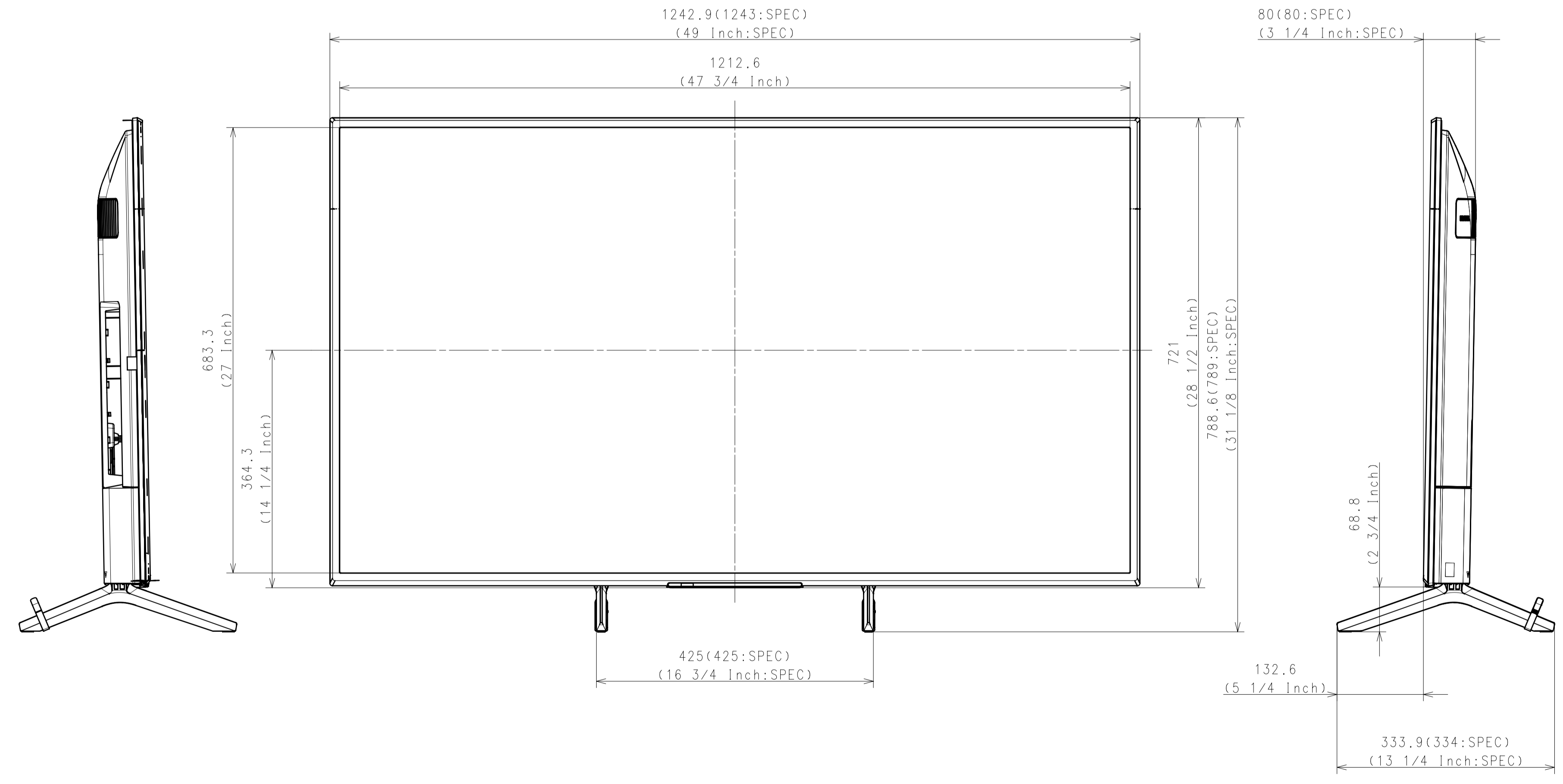
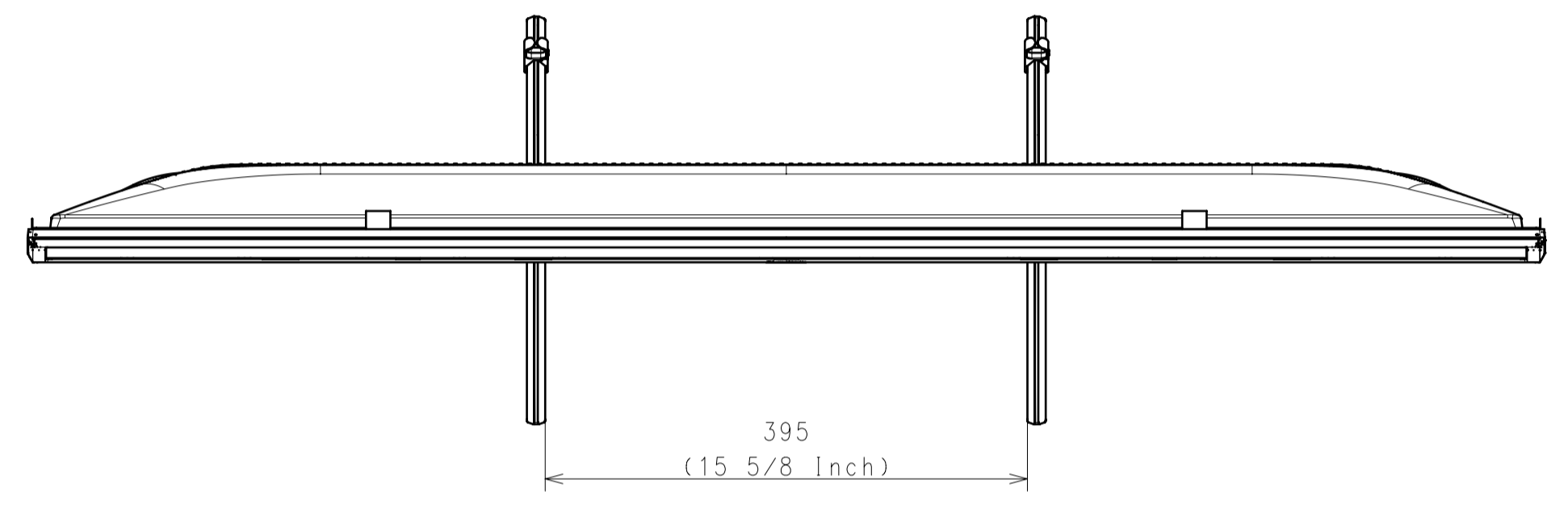


Purchase recycled resins and wire rods only from the business partners that Sony approves as Green Partners.  
再生樹脂・銅線はグリーンパートナー認定受入先から調達すること。

DATE OF ISSUE 2022.12.20	GENERAL TOLERANCE
DOCUMENT TYPE ASSEMBLY	
TELEGRAPHIC JIS B 0024(ISO 8015)	
REVISION	
SIZE UNIT A1 mm	ORIGINAL MODEL
SCALE 1:5	DESCRIPTION 55(X75WL) EXTERIOR VIEW
REVISION	TENTATIVE MODEL
REVISION	55(X75WL) EXTERIOR VIEW
REVISION	TENTATIVE PART NO.
REVISION	PART NO.
REVISION	SHEET/PAGES 1/5

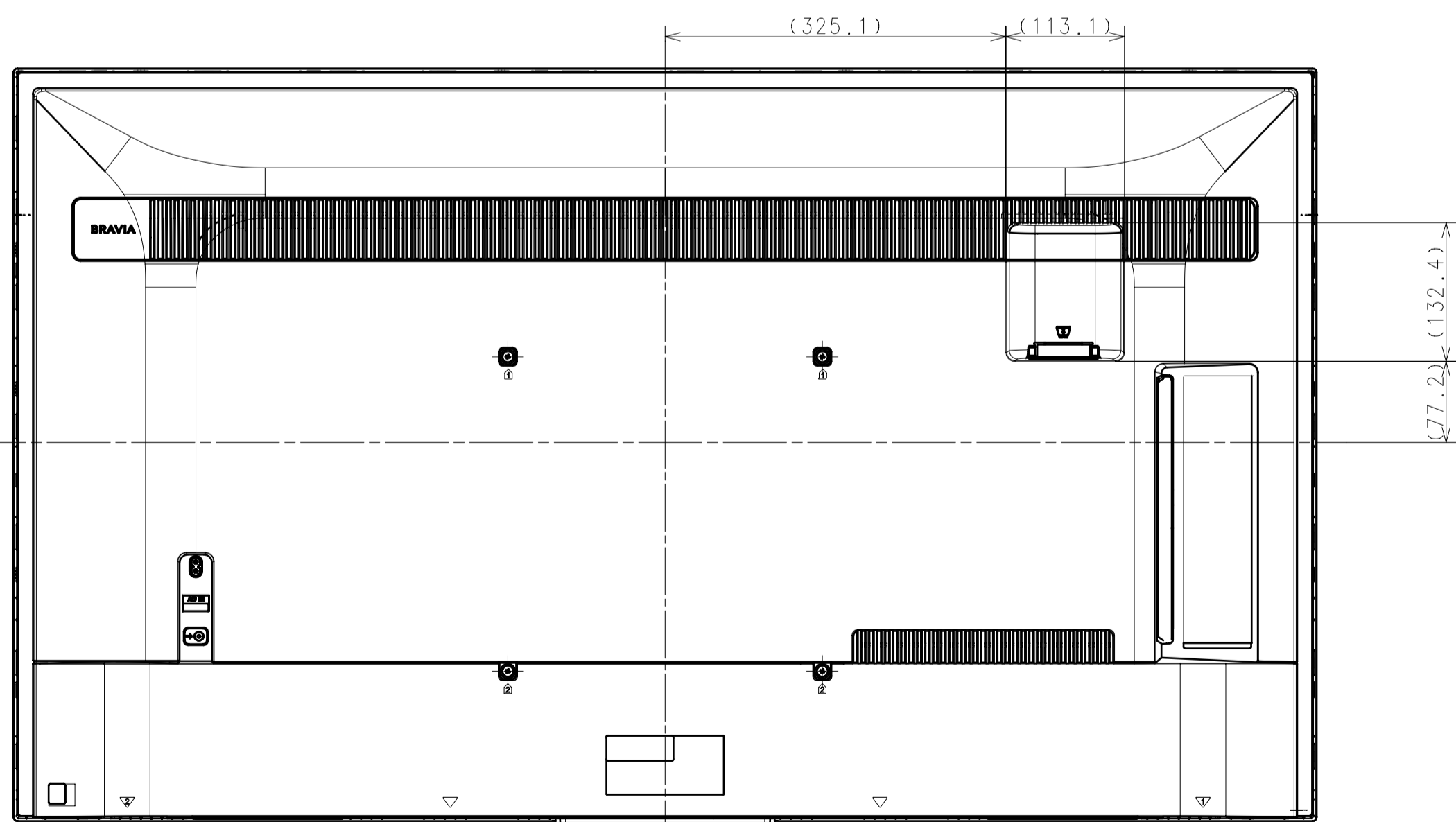
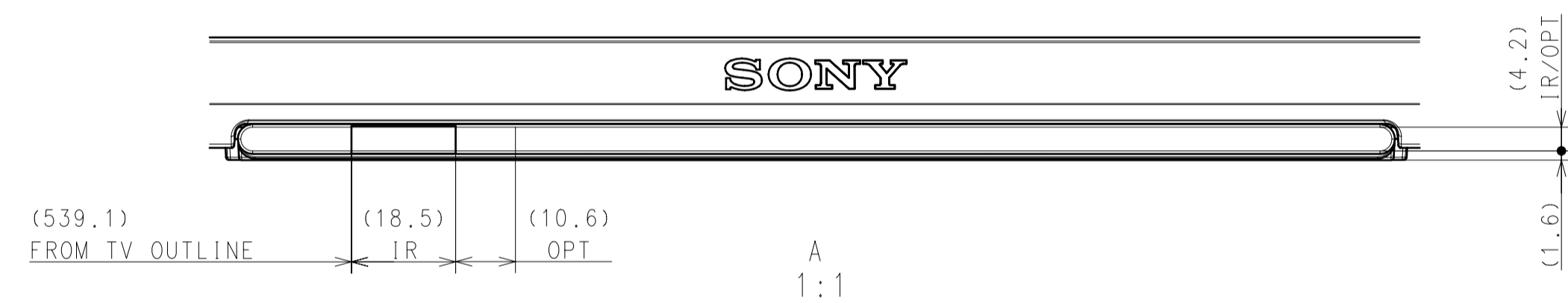
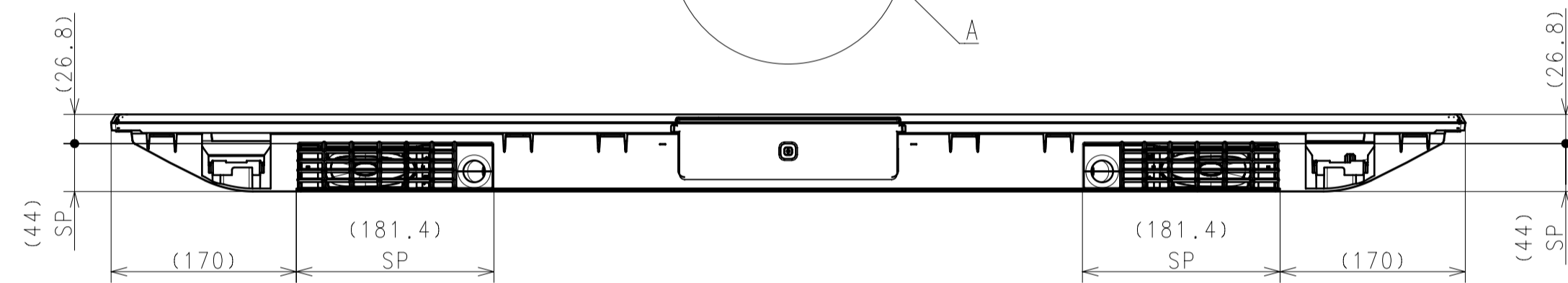
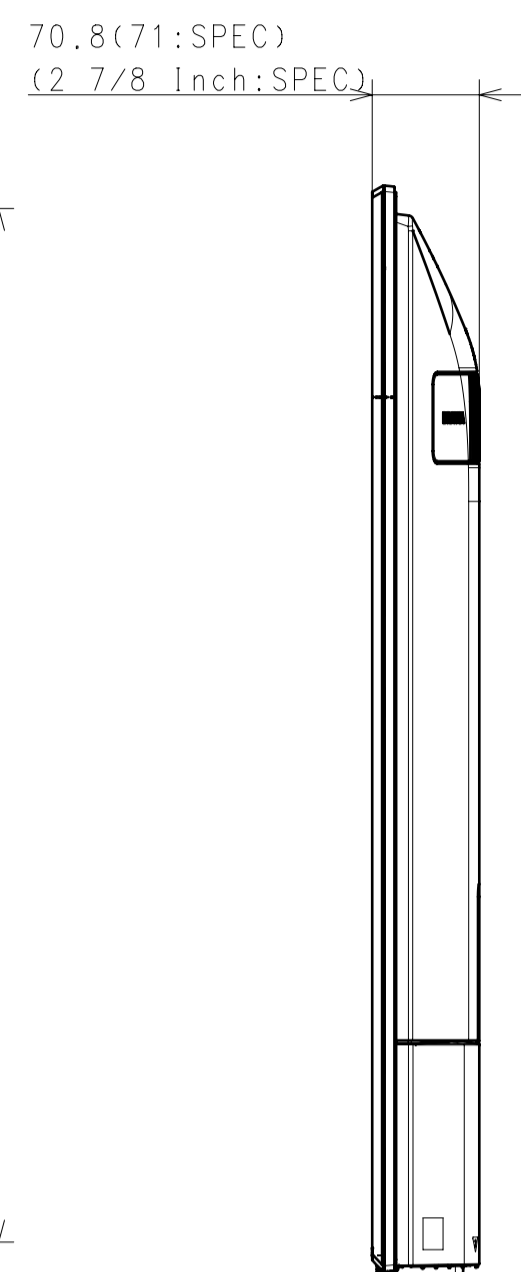
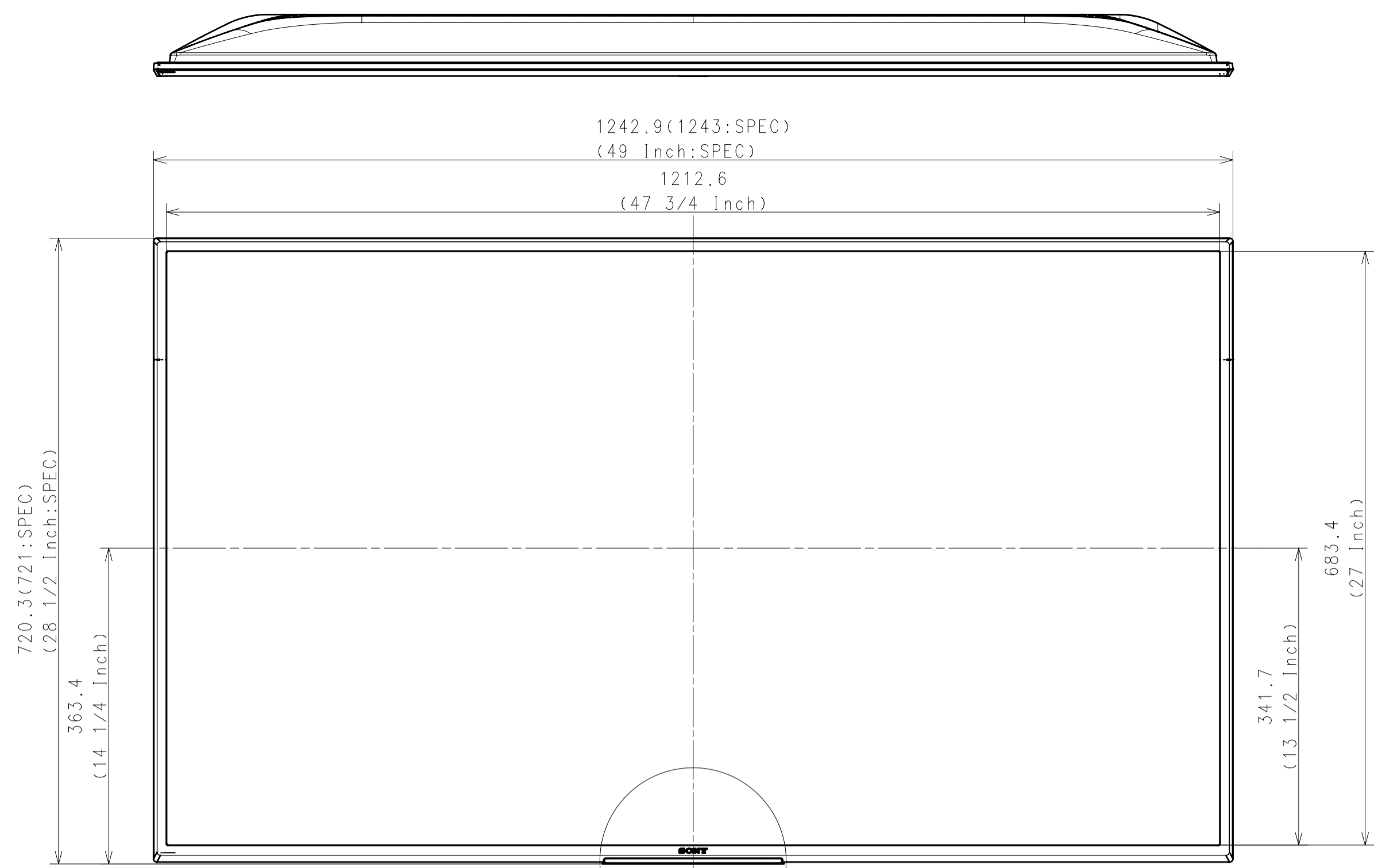
RESPONSIBLE DEPARTMENT: PANEL & MECHANICAL DESIGN  
 DESIGNED BY: HIZHAN  
 DRAWN BY: HIZHAN  
 CHECKED BY: HIZHAN  
 APPROVED BY: HIZHAN  
 DATE: 2022.05.09

WITH STAND  
NARROW POSITION

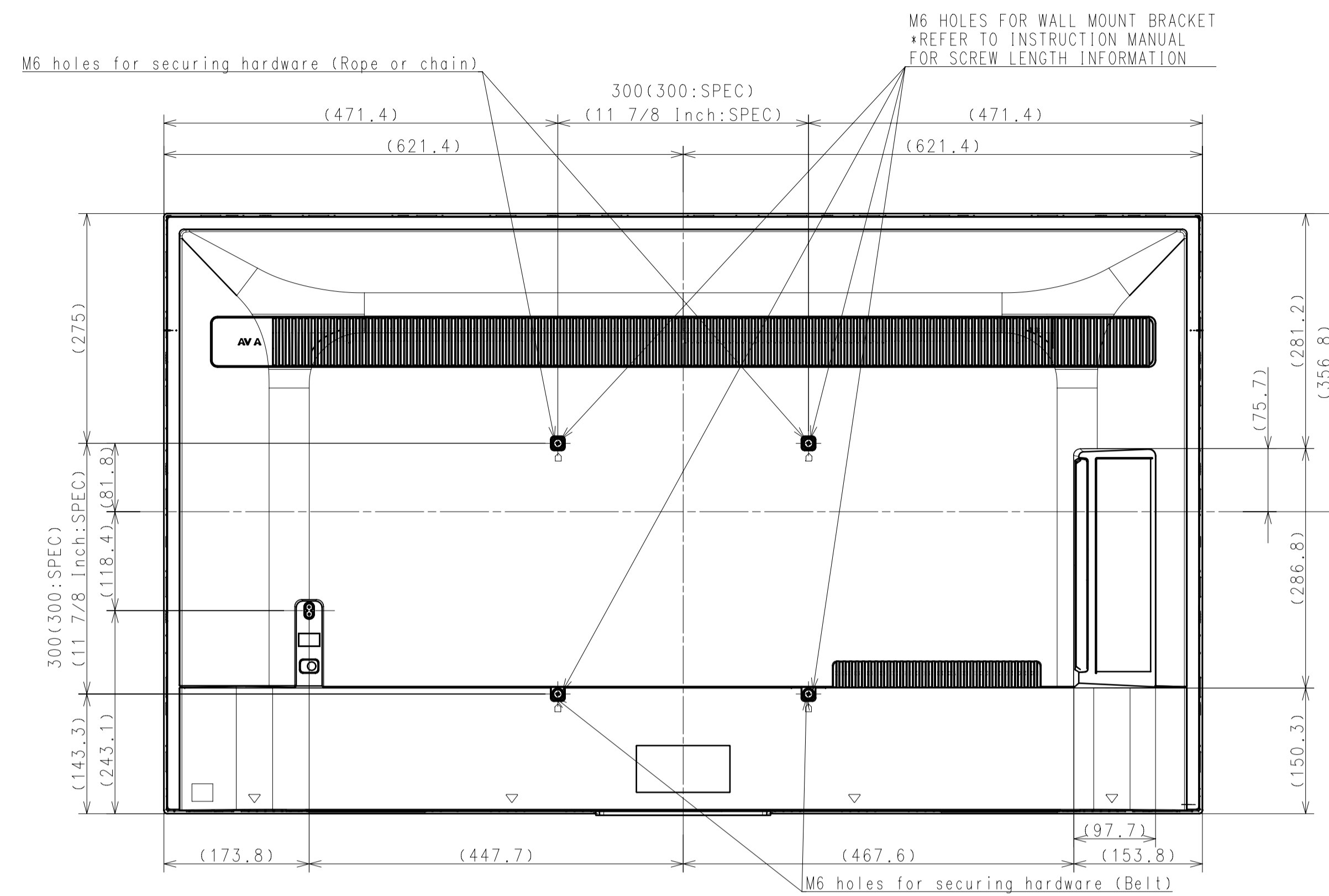


DESCRIPTION1 55(X75WL) EXTERIOR VIEW	LEGAL OWNER Sony Corporation	SCALE 1:5
DESCRIPTION2 55(X75WL) EXTERIOR VIEW	PART NO.	SHEET/PAGES 2 / 5

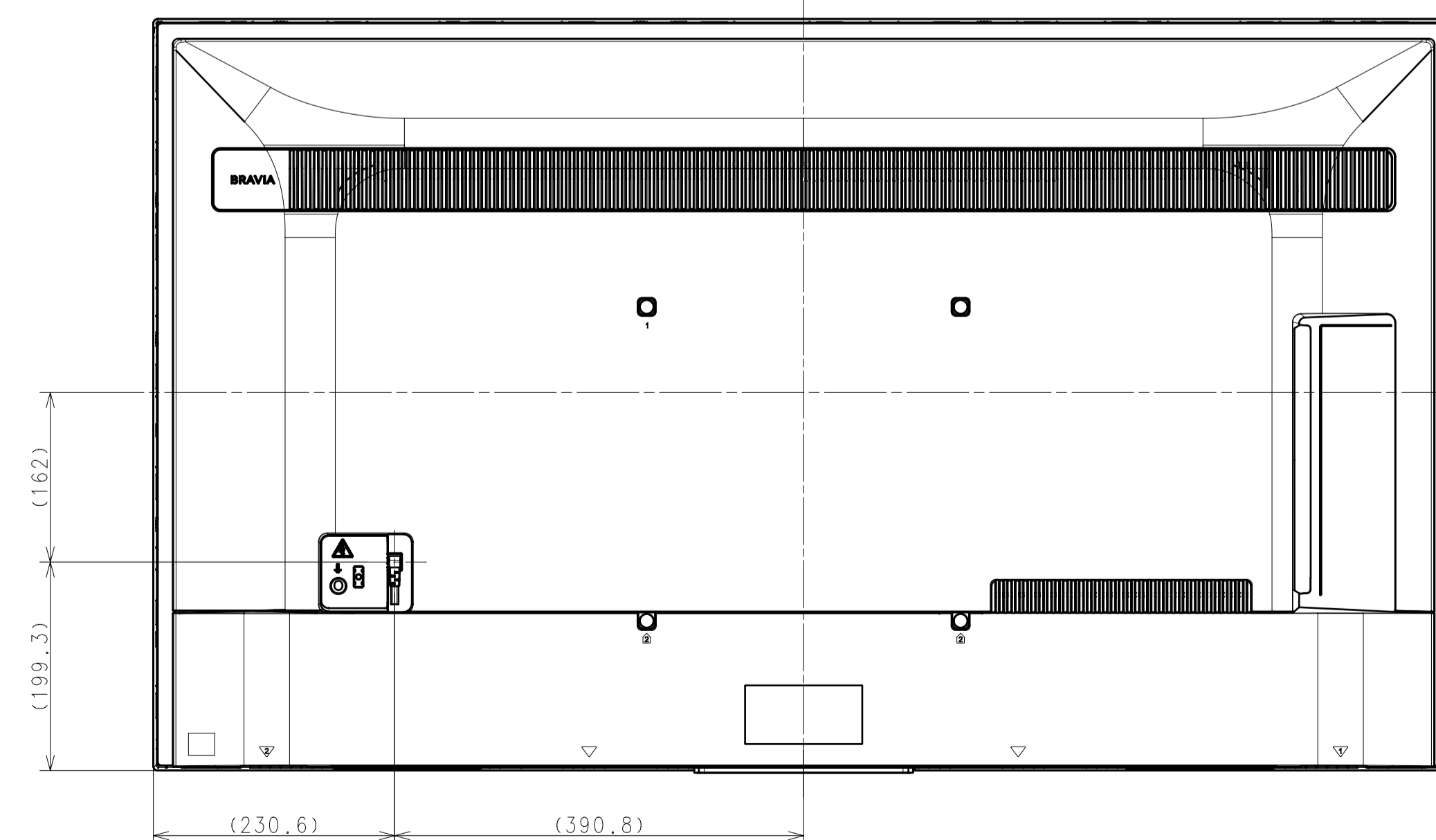
WITHOUT STAND



For. EUROPE



For. GENERAL AREA

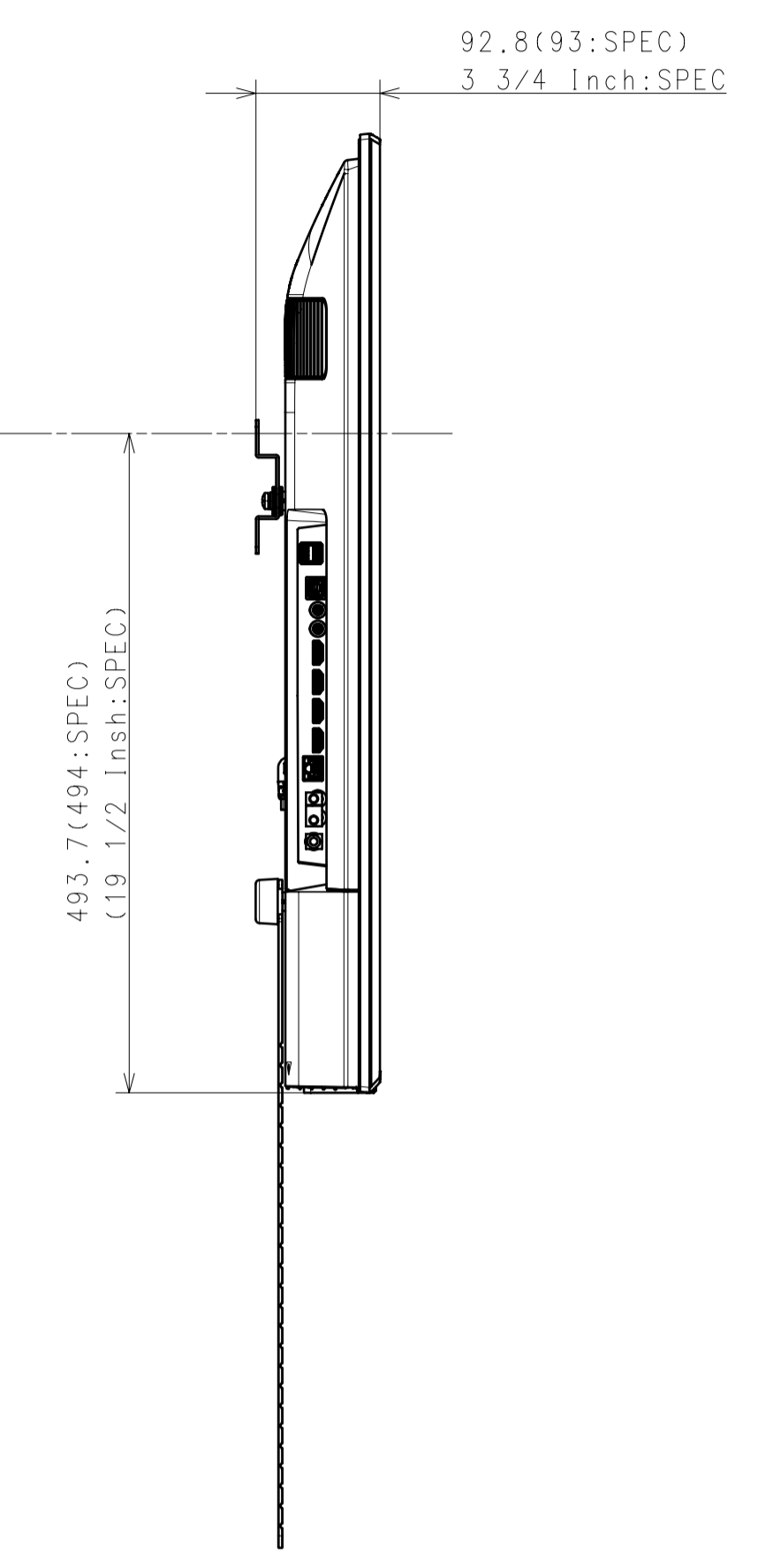
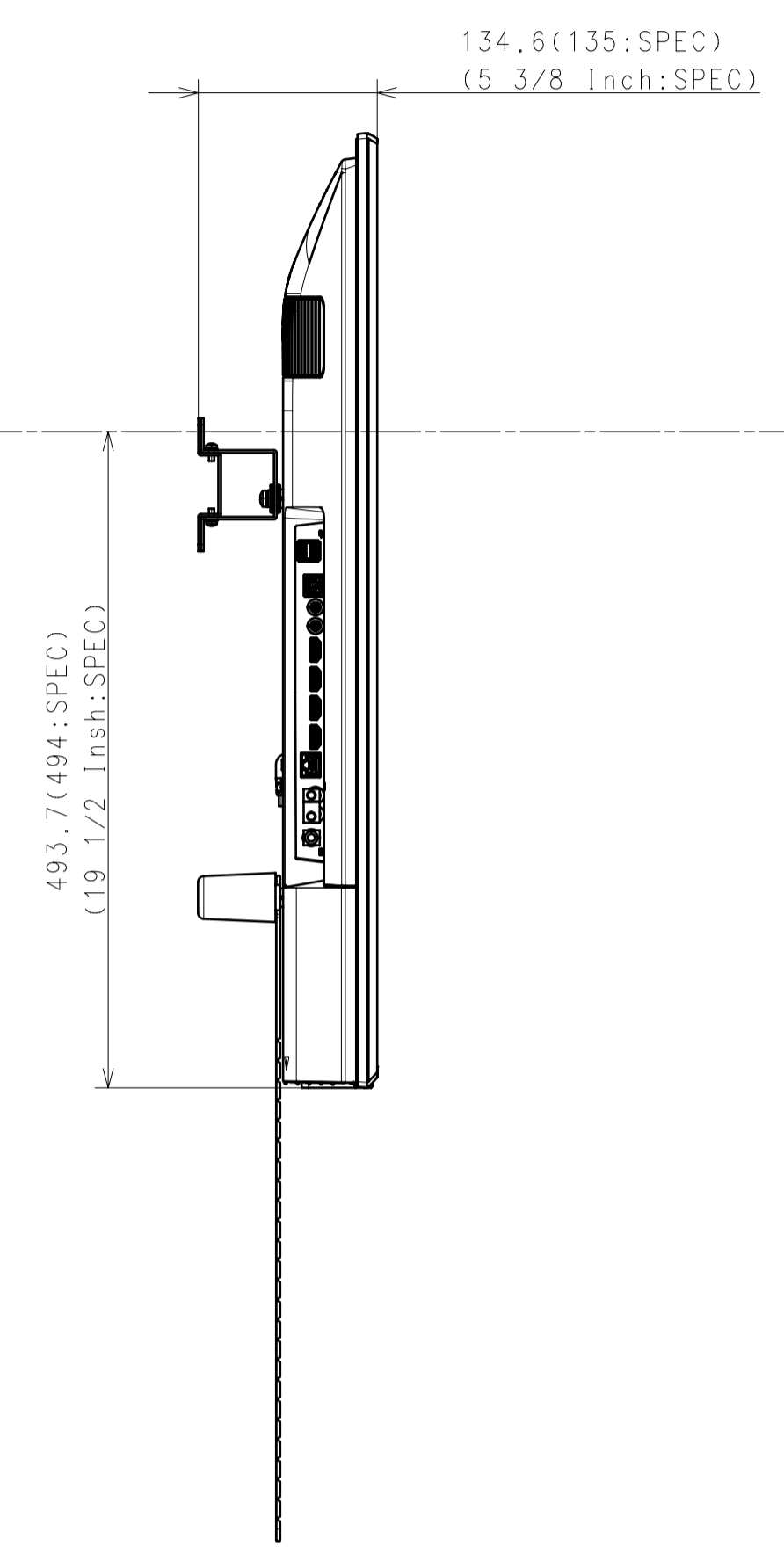
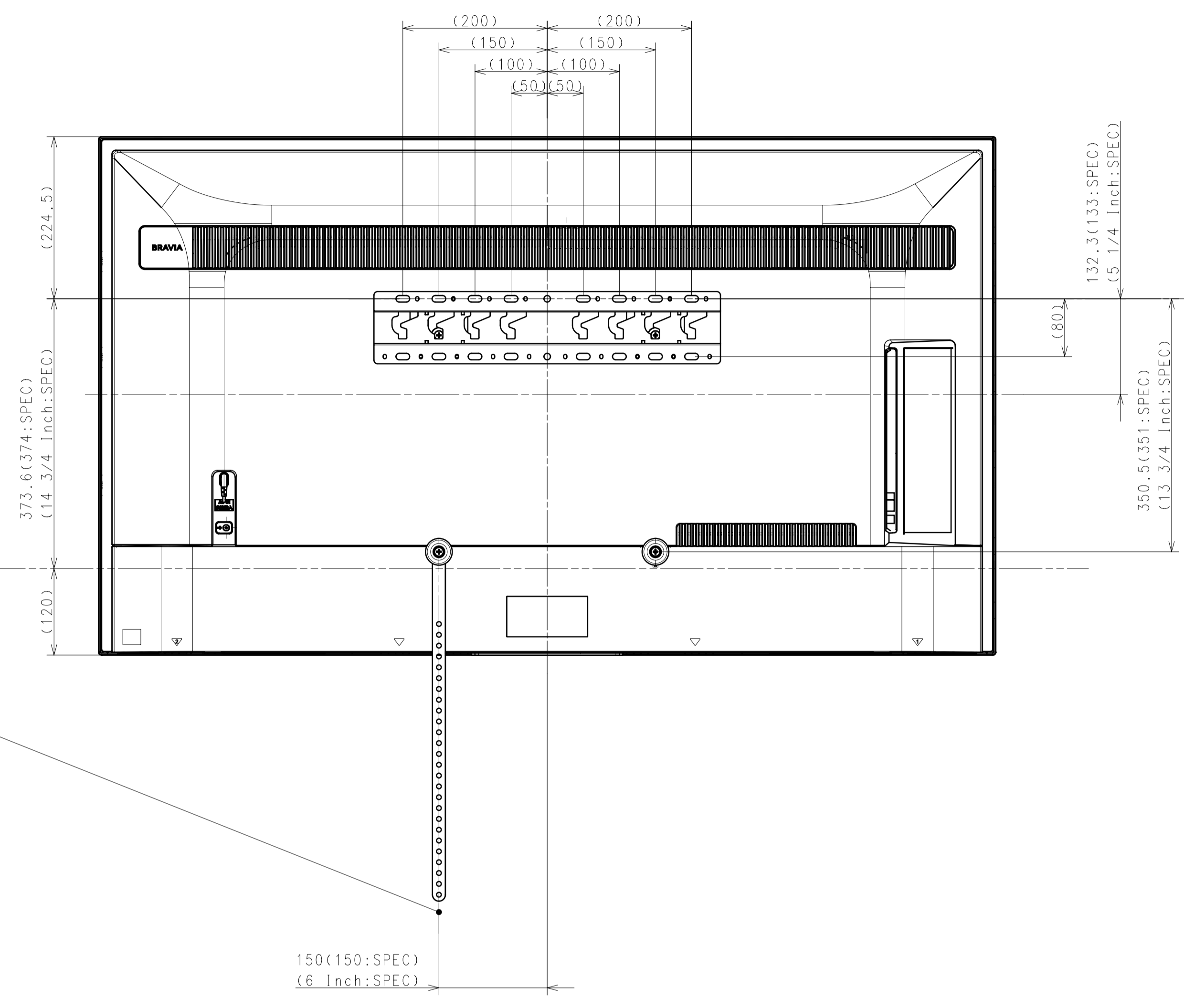


For. JAPAN

SU-WL450

STANDARD

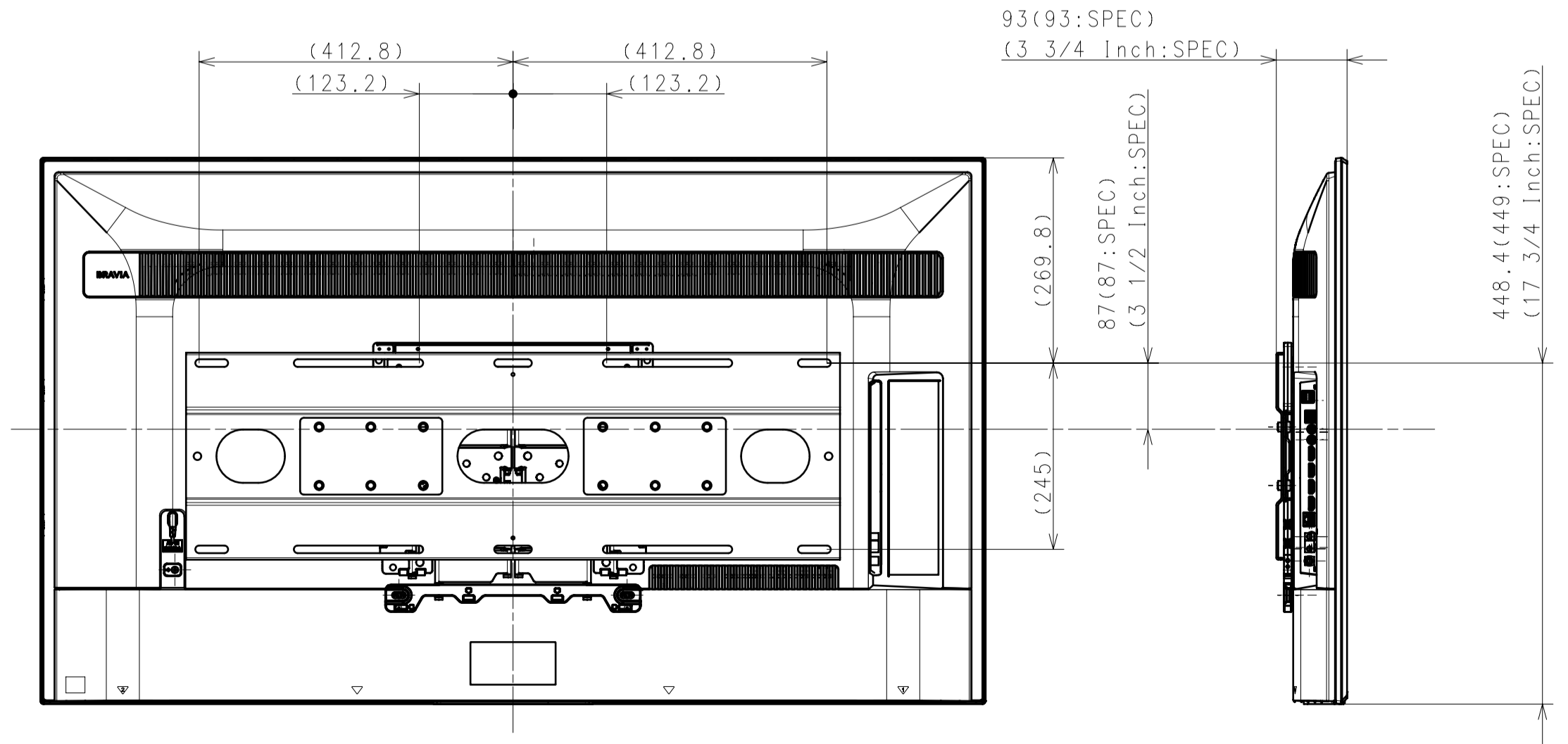
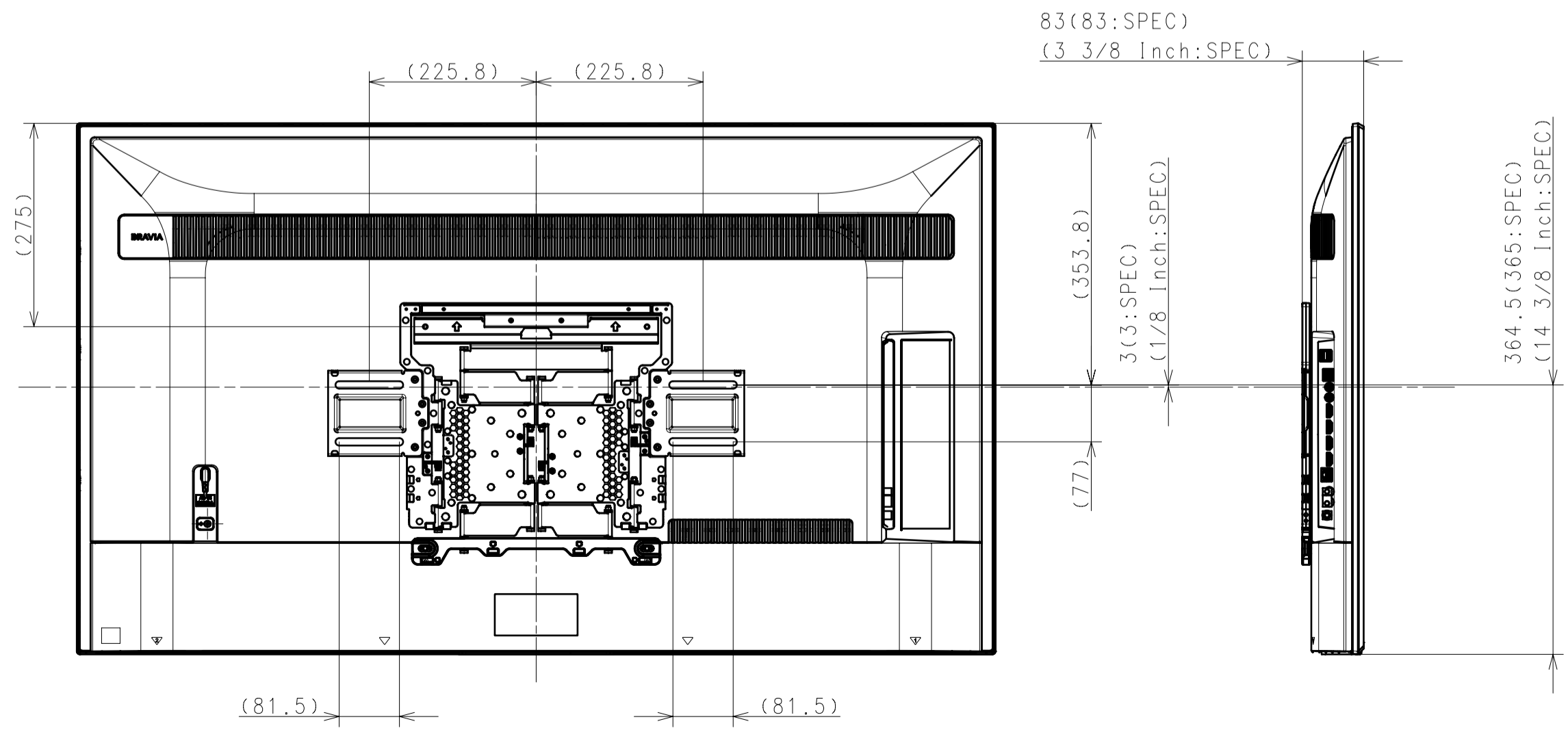
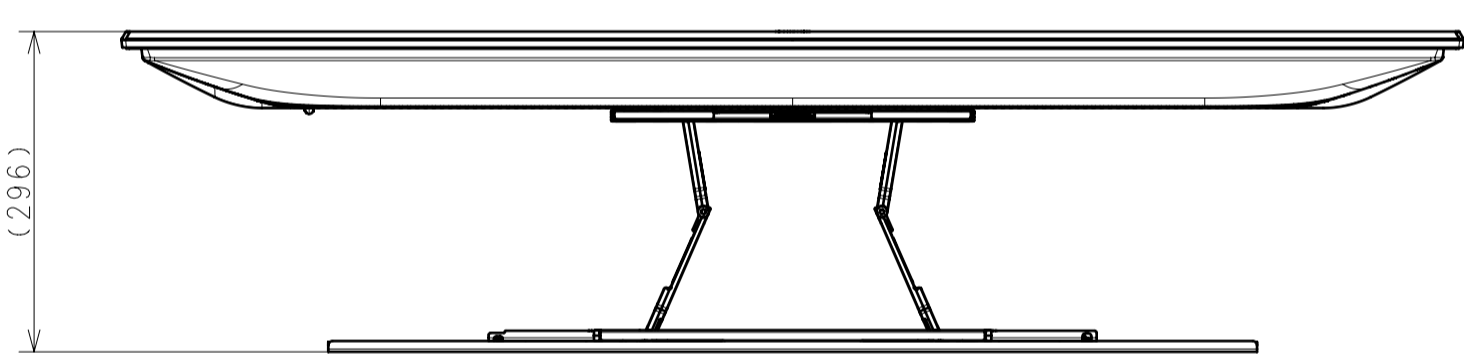
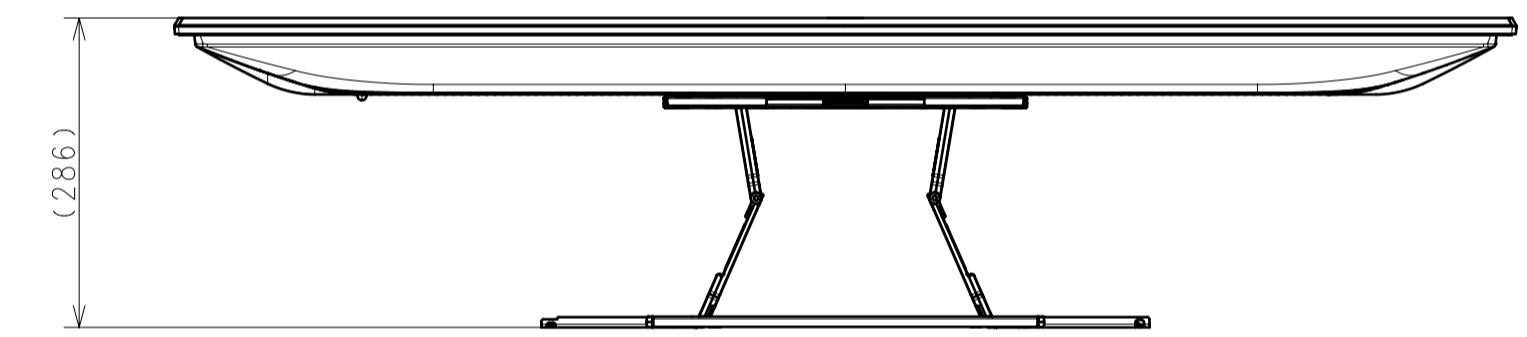
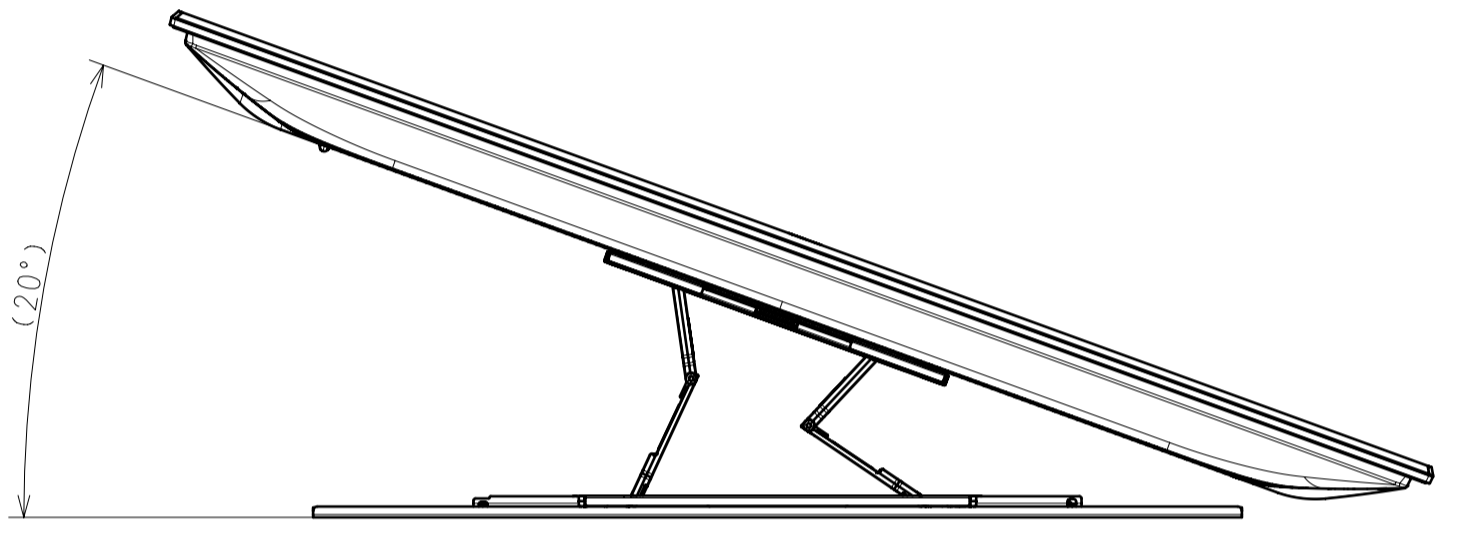
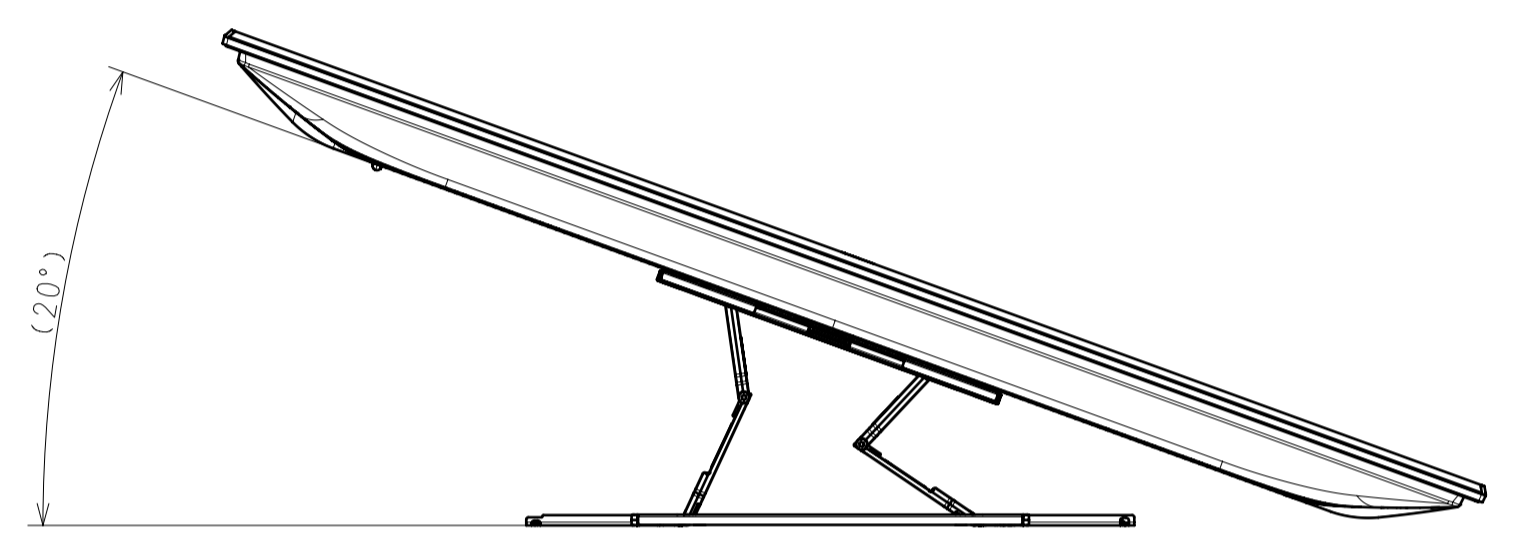
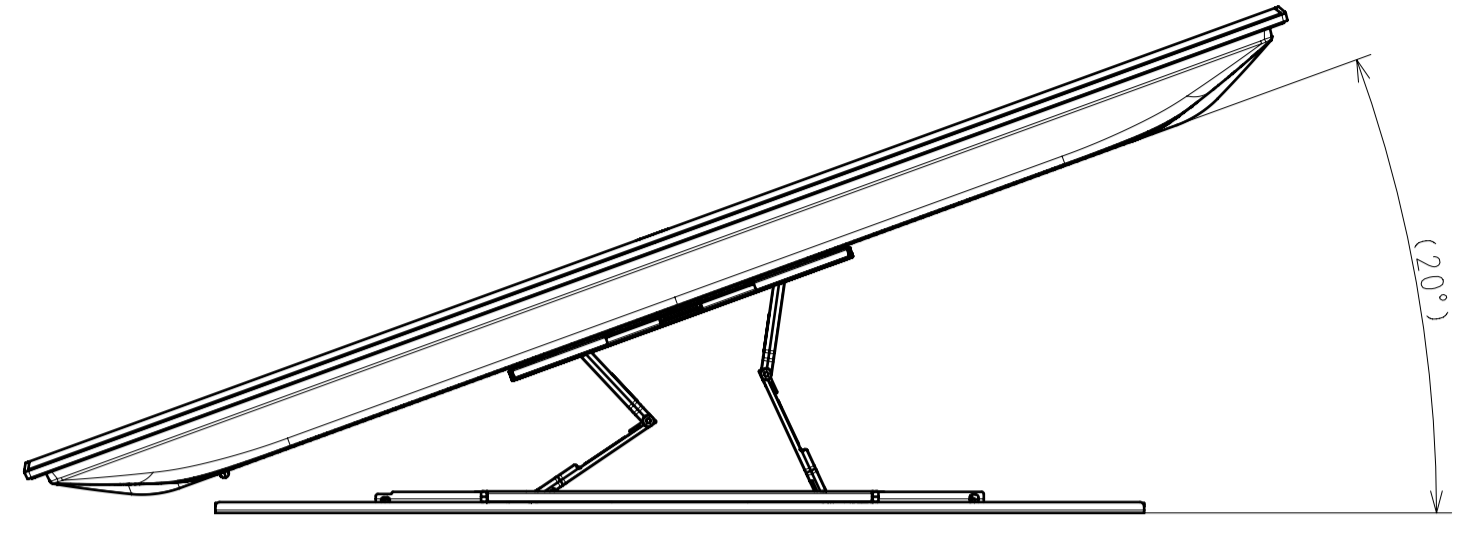
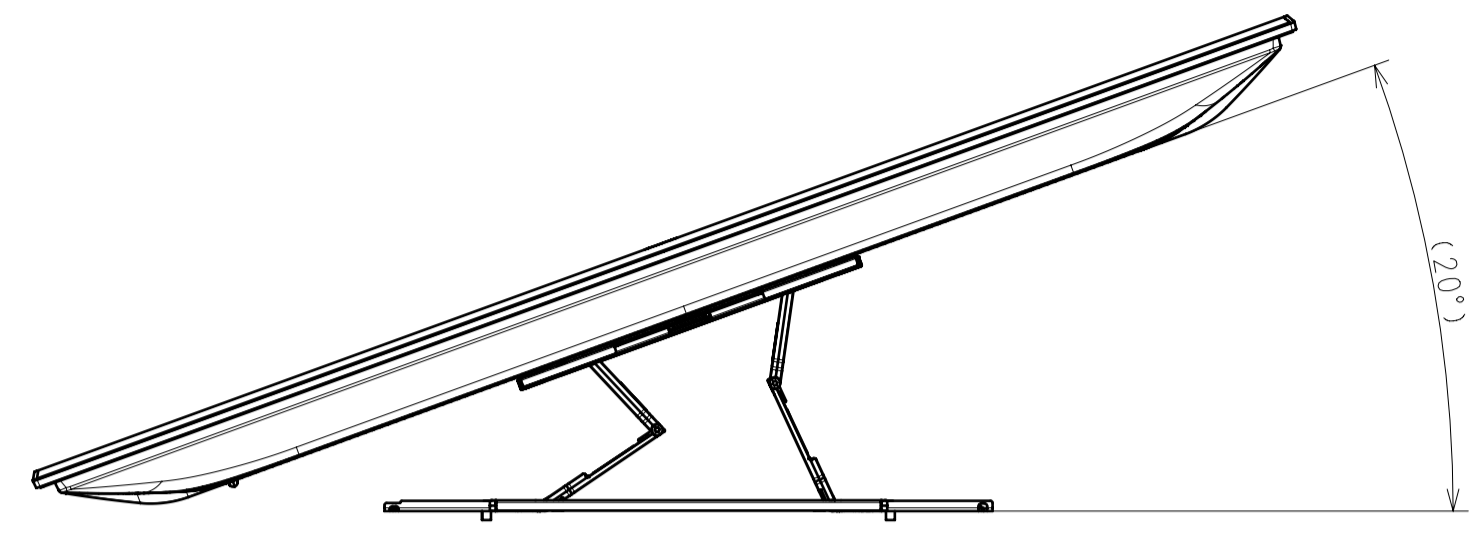
SLIM



DESCRIPTION 1	LEGAL OWNER	SCALE
55(X75WL) EXTERIOR VIEW	Sony Corporation	1:5
DESCRIPTION 2	PART NO.	SHEET/PAGES
55(X75WL) EXTERIOR VIEW		4 / 5

SU-WL 850

SU-WL 855 WITH LATERAL SHAFT BRACKET



DESCRIPTION 1	LEGAL OWNER	SCALE
55(X75WL) EXTERIOR VIEW	Sony Corporation	1:7
DESCRIPTION 2	PART NO.	SHEET/PAGES
55(X75WL) EXTERIOR VIEW		5 / 5