

PP730



**Mounting Pattern**  
75 x 75,  
100 x 100mm



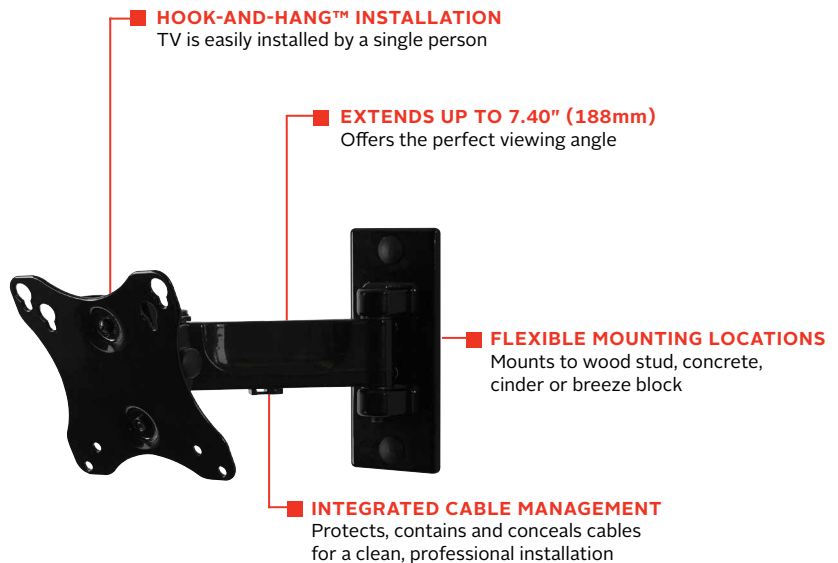
**Max Load**  
25lb  
(11kg)

# PARAMOUNT™ Pivot Wall Mount

FOR 10" TO 29" DISPLAYS

The Paramount™ series wall mounts provide versatile and multi-functional features. With PP730, extend the display up to 7.40" (188mm) or fully-retract it to just 2.75" (70mm) from the wall for an improved viewing angle. The Hook-and-Hang™ system offers easy, one-person installation of the display. One-Touch™ tilt technology offers ±15° vertical tilt movement for the ideal viewing angle. Integrated cable management protects, contains and conceals cables for a clean installation.

- Accommodates 75 x 75 or 100 x 100mm VESA® mounting patterns
- Extends 7.40" (188mm) from the wall
- Retracts to 2.75" (70mm) to save space
- One-Touch™ tilt mechanism offers ±15° of tilt angle adjustment
- ±5° of roll for post installation display leveling
- ±90° of pivot
- Design is UL listed and tested to four times stated load capacity



Please visit [peerless-av.com/en-us/patents](http://peerless-av.com/en-us/patents) for patent information.



Extend, turn, tilt, or retract the display for the perfect viewing angle.



Comes in color packaging with included installation hardware and easy to follow instructions.

<b>PP730</b>	Paramount™ Pivot Wall Mount for 10" to 29" Displays
--------------	---

**Product Specifications**

	DIMENSIONS (W x H x D)	PRODUCT WEIGHT	LOAD CAPACITY	FINISH	AVAILABLE COLORS
<b>PP730</b>	8.24" x 5.50" x 2.75"-7.40" (209 x 140 x 70-188mm)	1.85lb (0.84kg)	25lb (11kg)	Scratch Resistant Fused Epoxy	Gloss Black

**Package Specifications**

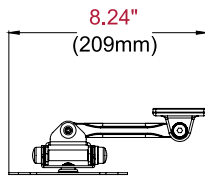
	PACKAGE SIZE (W x H x D)	PACKAGE SHIP WEIGHT	PACKAGE UPC CODE	PACKAGE CONTENTS	UNITS IN PACKAGE
<b>PP730</b>	7.28" x 2.76" x 10.39" (185 x 70 x 264mm)	2.65lb (1.20kg)	735029253631	Wall Mount, Wall and Display Installation Hardware, Installation Instructions	1

**Accessories**

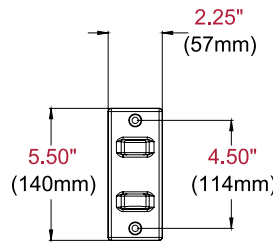
**ACC918:** Security Fasteners  
**ACC2X1:** VESA® 200 x 100mm Adaptor Plate

**ESHV models:** AV Wall Shelves  
**WSP700/WSP701:** Metal Stud Wall Plates for 16"/24" Center Metal Studs

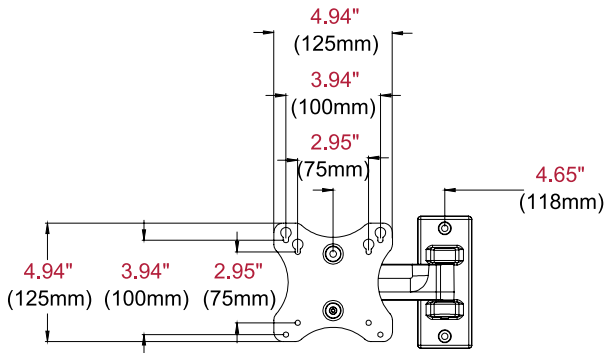
All dimensions = **inch** (mm)



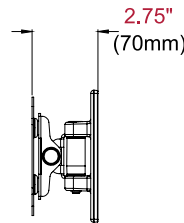
**TOP VIEW**



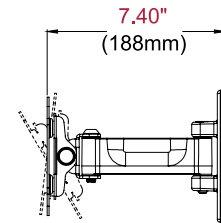
**WALL PLATE DETAIL**



**FRONT VIEW**



**SIDE VIEW COLLAPSED**



**SIDE VIEW EXTENDED  
+15°/-15° TILT**

**Architect Specifications**

The Paramount™ Pivot Wall Mount shall be a Peerless-AV model PP730 and shall be located where indicated on the plans. Assembly and installation shall be done according to instructions provided by the manufacturer.

Visit [peerless-av.com](http://peerless-av.com) to see the complete line of AV solutions from Peerless-AV, including outdoor displays, wireless, kiosks, digital audio, display mounts, projector mounts, carts/stands, and a full assortment of accessories.

**Peerless-AV**  
 2300 White Oak Circle  
 Aurora, IL 60502 USA  
**(800) 865-2112**  
**(630) 375-5100**  
**Fax: (800) 359-6500**

**Peerless-AV EMEA**  
 Unit 3 Watford Interchange  
 Colonial Way, Watford  
 Herts, WD24 4WP  
 United Kingdom  
**+44 (0) 1923 200100**  
**Fax: +44 (0) 1923 200101**

**Peerless-AV Latin America**  
 Ave de las Industrias 413  
 Parque Industrial Escobedo  
 Escobedo, N.L.,  
 Mexico 66062  
**+52 (81) 8384-8300**  
**Fax: +52 (81) 8384-8360**

