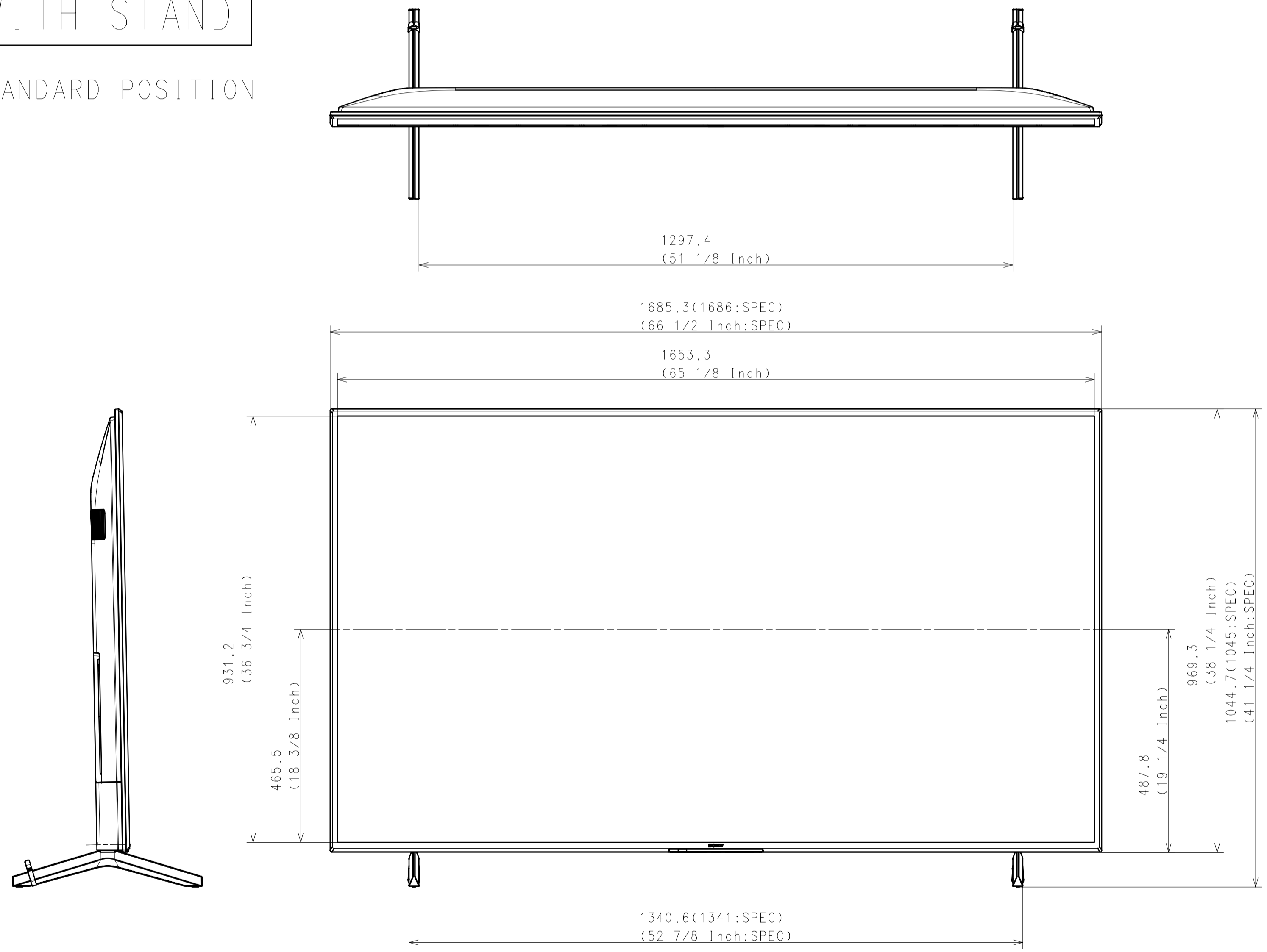
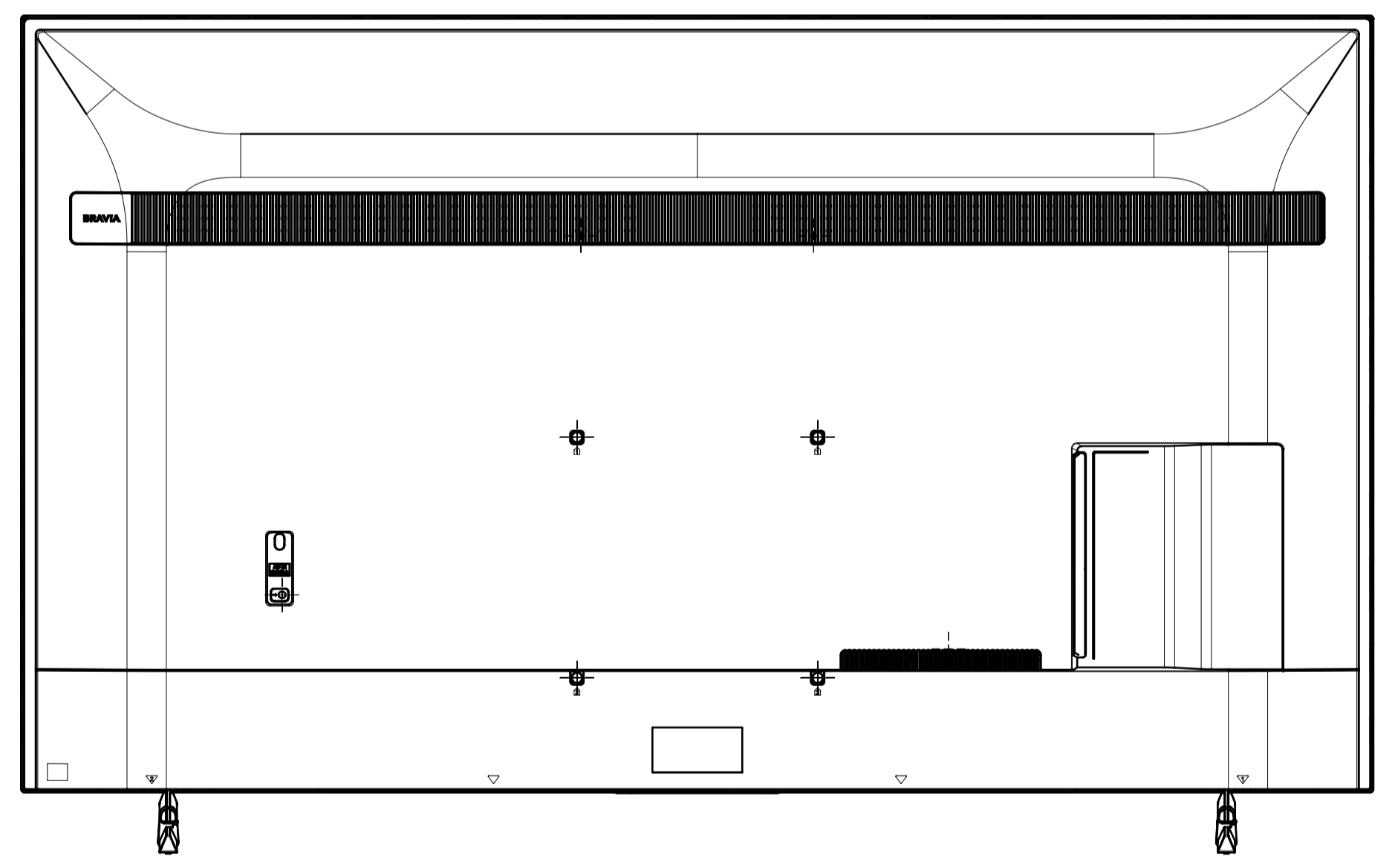
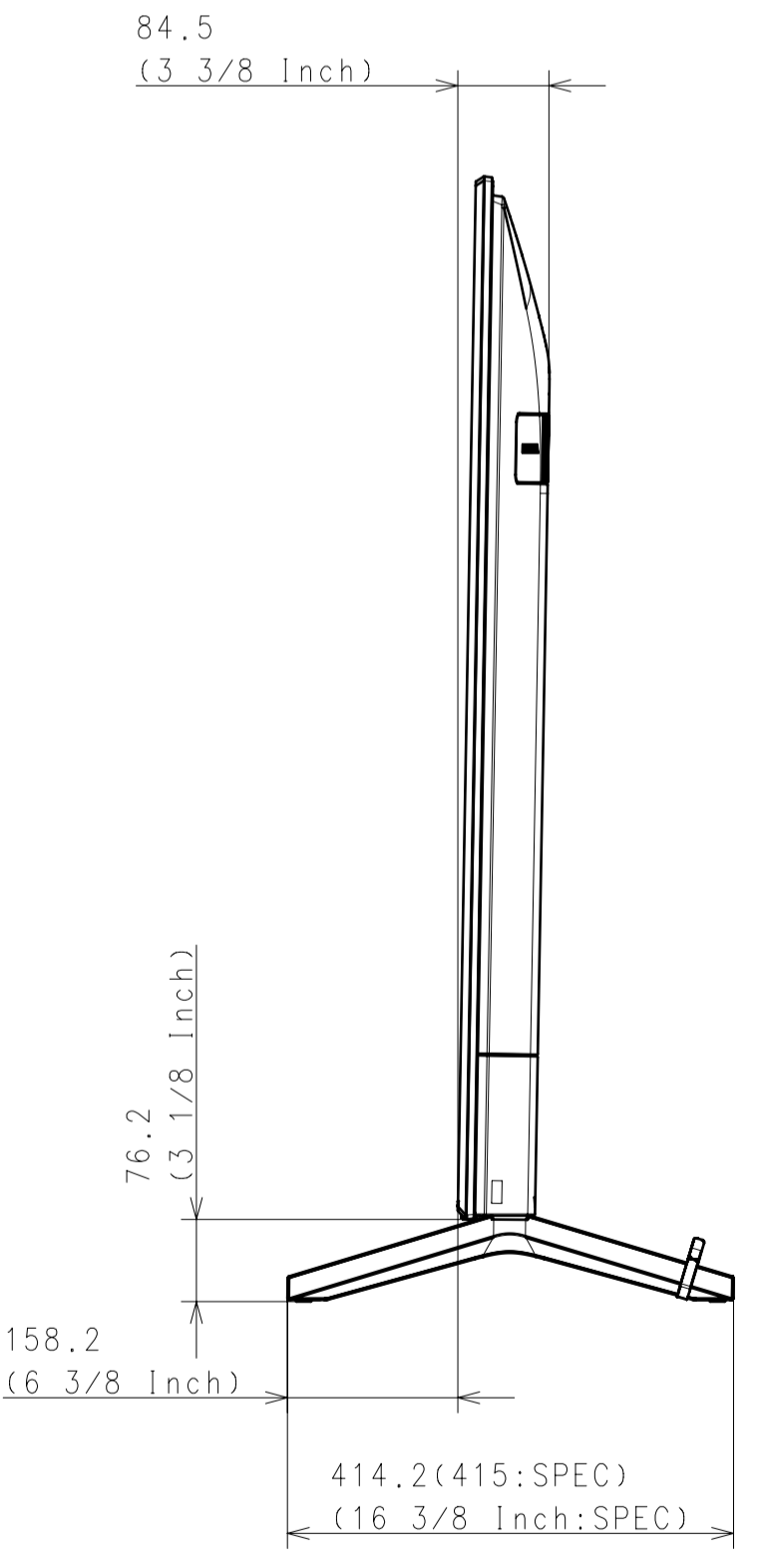


WITH STAND  
STANDARD POSITION



Area	JAPAN	EUROPE	GENERAL AREA	
Model Name	KJ-75X75WL	KD-75X75WL	KD-75X75WL	
SV No.	SV-41562	SV-41528	SV-41725	
DIMENSION	TV only (W x H x D)	168.6 x 96.9 x 7.2 cm	Approx. 168.6 x 96.9 x 7.2 cm	Approx. 168.6 x 96.9 x 7.2 mm
	TV only with camera (W x H x D)	-	-	-
	TV with Stand (Standard position) (W x H x D)	168.6 x 104.5 x 41.5 cm	Approx. 168.6 x 104.5 x 41.5 cm	Approx. 168.6 x 104.5 x 41.5 mm
	TV with Stand (Narrow position) (W x H x D)	-	Approx. 168.6 x 104.5 x 41.5 cm	-
	TV with Stand (Soundbar position) (W x H x D)	-	-	-
	TV with Stand (Front position style) (W x H x D)	-	-	-
	TV with Stand (Back position style) (W x H x D)	-	-	-
	TV with Floor Stand (W x H x D)	-	-	-
	Stand Width (Standard position)	134.1 cm	Approx. 134.1 cm	Approx. 1341 mm
	Stand Width (Narrow position)	-	Approx. 57.1 cm	-
	Stand Width (Soundbar position)	-	-	-
	Stand Width (Front position style)	-	-	-
	Stand Width (Back position style)	-	-	-
Floor Stand Width	-	-	-	
VESA Hole Pitch	30.0 x 30.0 cm	30.0 x 30.0 cm	300 x 300 mm	
WEIGHT	TV Only	30.4 kg	Approx. 30.4 kg	Approx. 30.4 kg
	TV with Stand (Standard position)	31.7 kg	Approx. 31.7 kg	Approx. 31.7 kg
	TV with Stand (Narrow position)	-	Approx. 31.7 kg	-
	TV with Stand (Soundbar position)	-	-	-
	TV with Stand (Front/Back position style)	-	-	-
	TV with Floor Stand	-	-	-
	Floor Stand weight (Supply)	-	-	-
Remarks		2way		

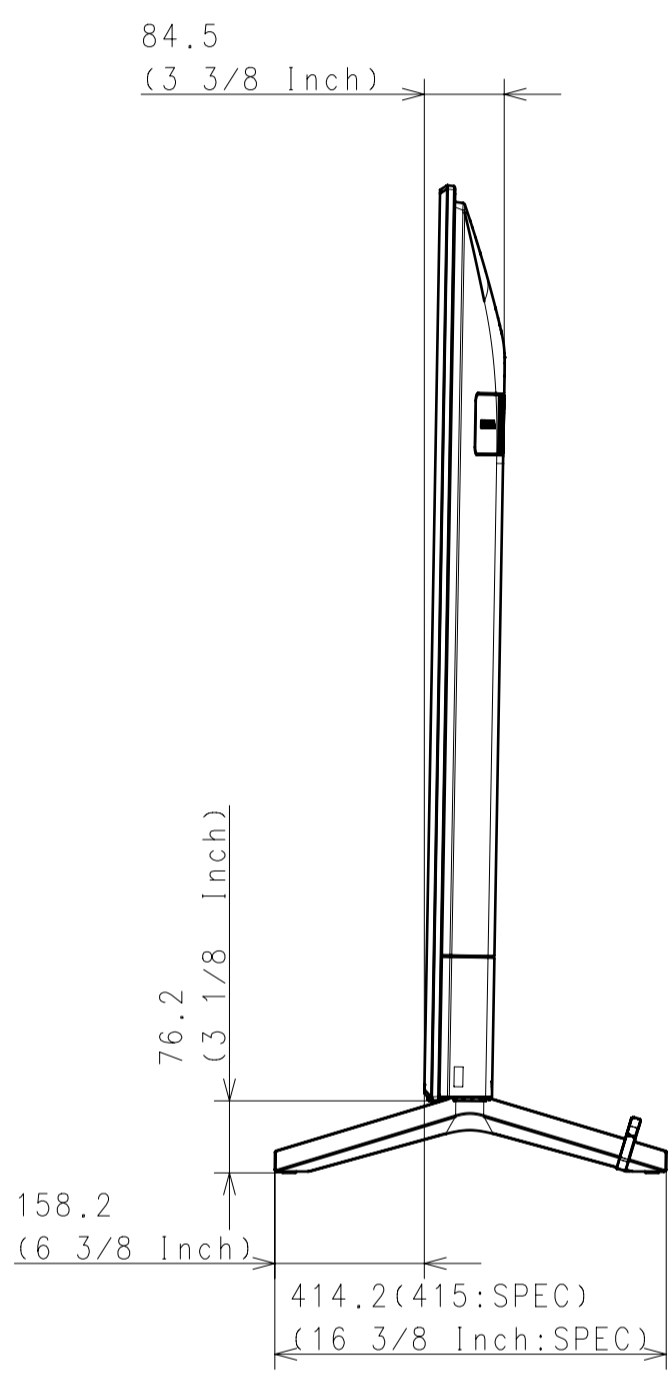
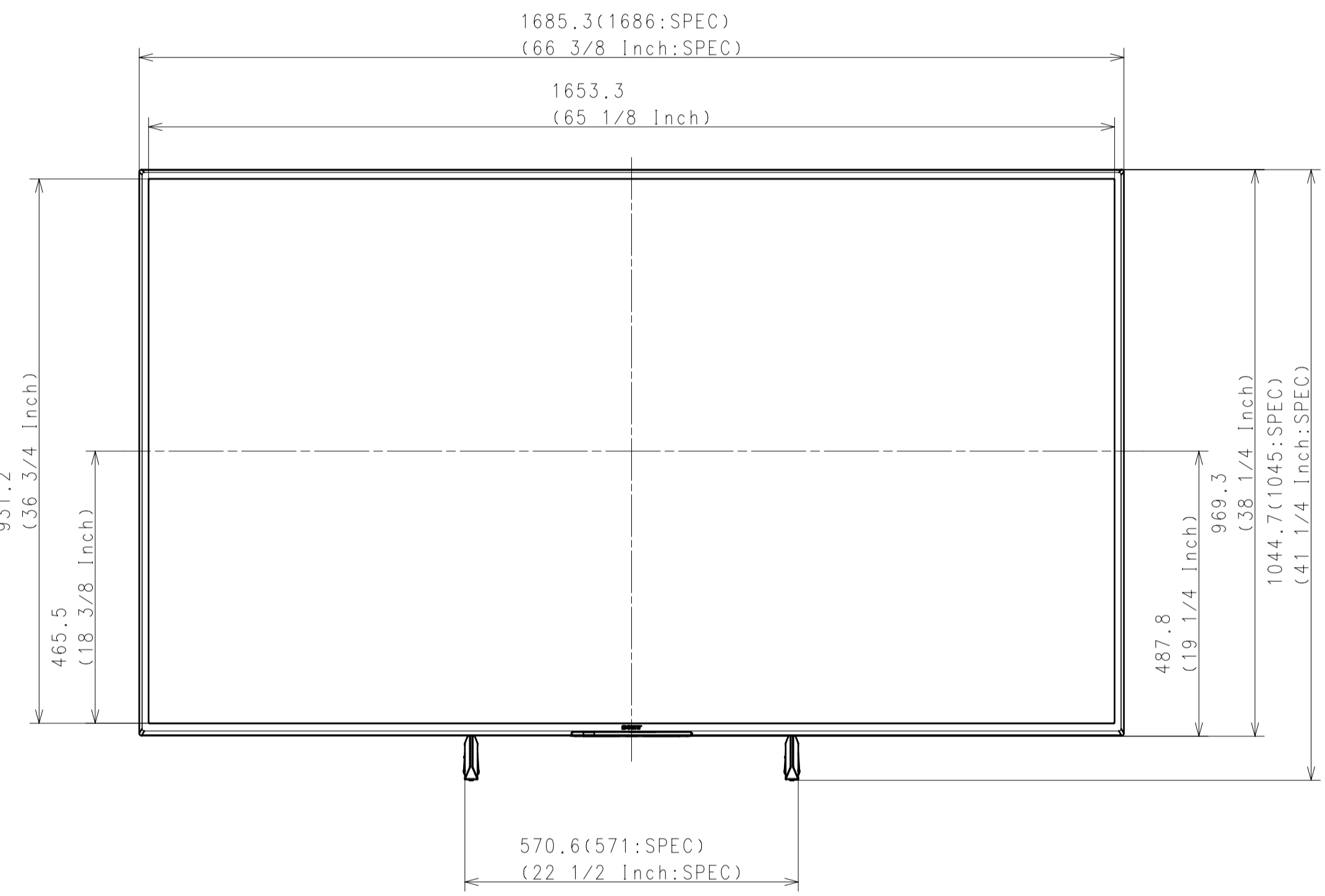
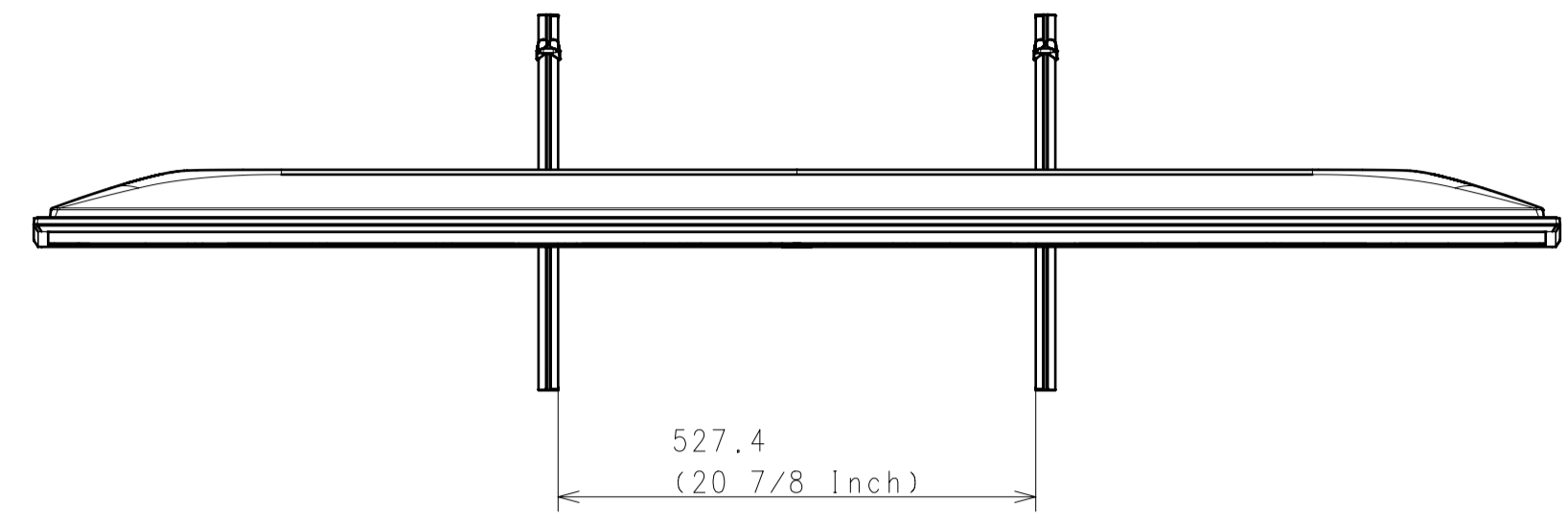


Purchase recycled resins and wire rods only from the business partners that Sony approves as Green Partners.  
再生樹脂・銅線はグリーンパートナー認定品から調達すること。

DATE OF ISSUE 2022.12.20	DOCUMENT TYPE ASSEMBLY DRAWING	GENERAL TOLERANCE	(JIS 0 001/0.005)
HISTORY		MATERIAL COLOR	FINISH COLOR
RESPONSIBLE DEPARTMENT Sony Corporation		DESCRIPTION 75(X75WL) EXTERIOR VIEW	
PLANNED BY	CHECKED BY	APPROVED BY	SCALE 1:7
DESIGNED BY	SIZE A1	UNIT mm	DESCRIPTION 75(X75WL) EXTERIOR VIEW
DATE	REV. NO.	SIGN.	SHEET/PAGES 1/5

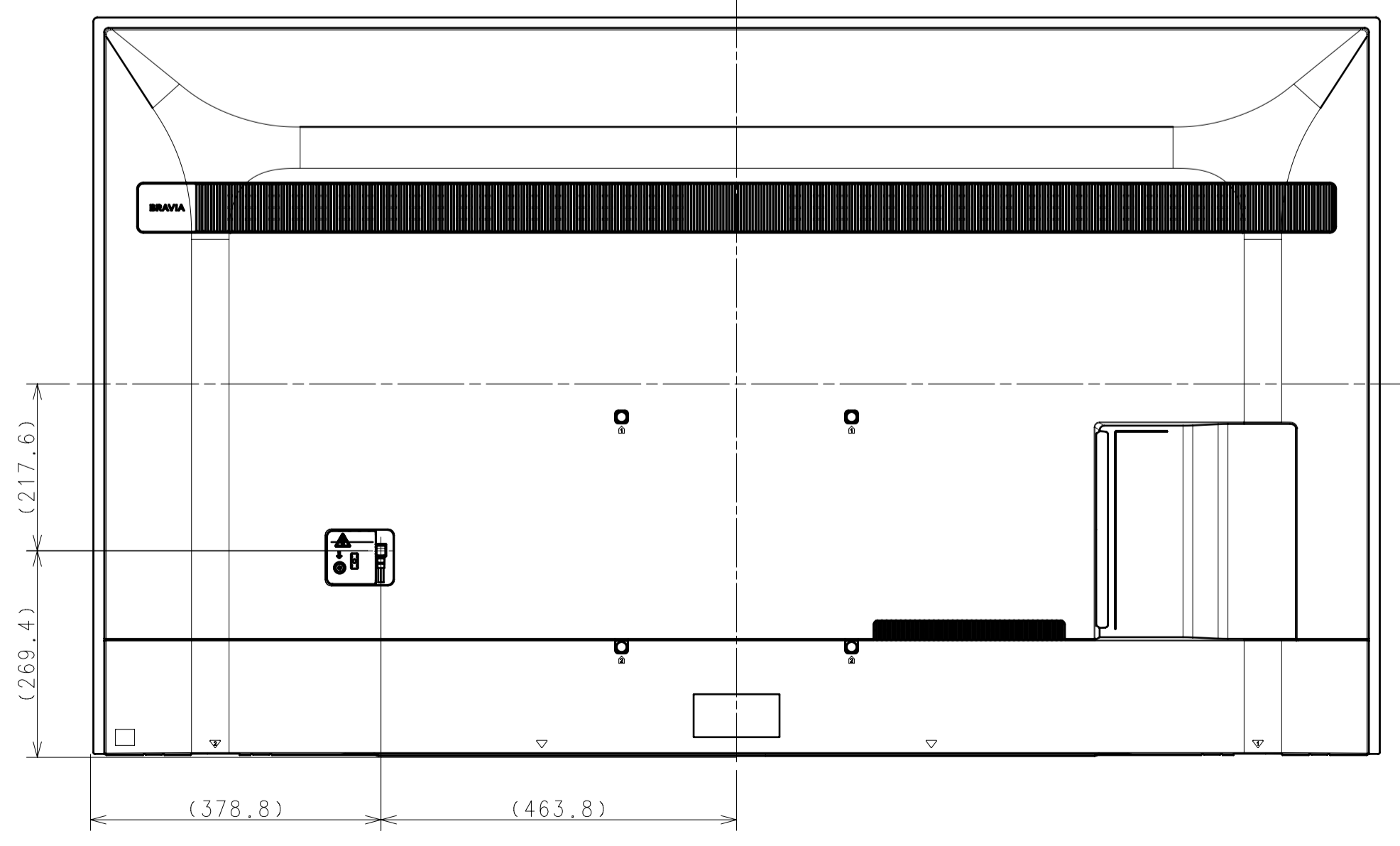
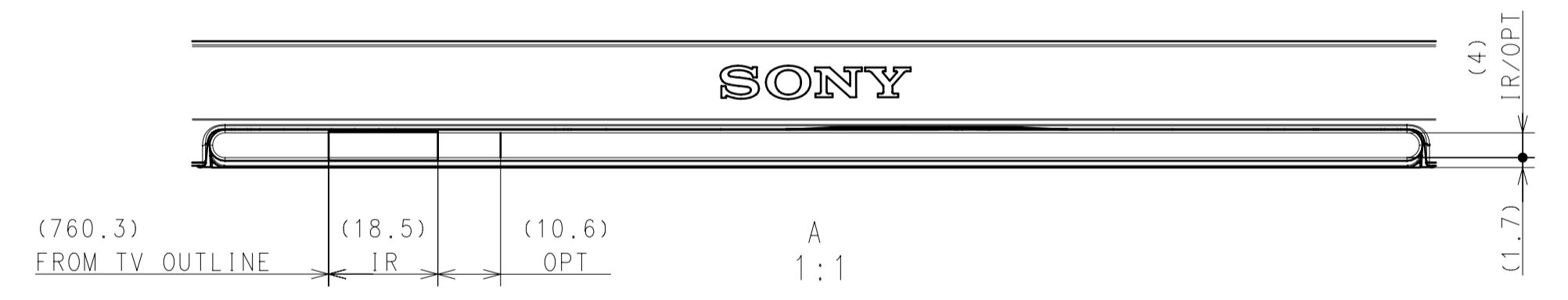
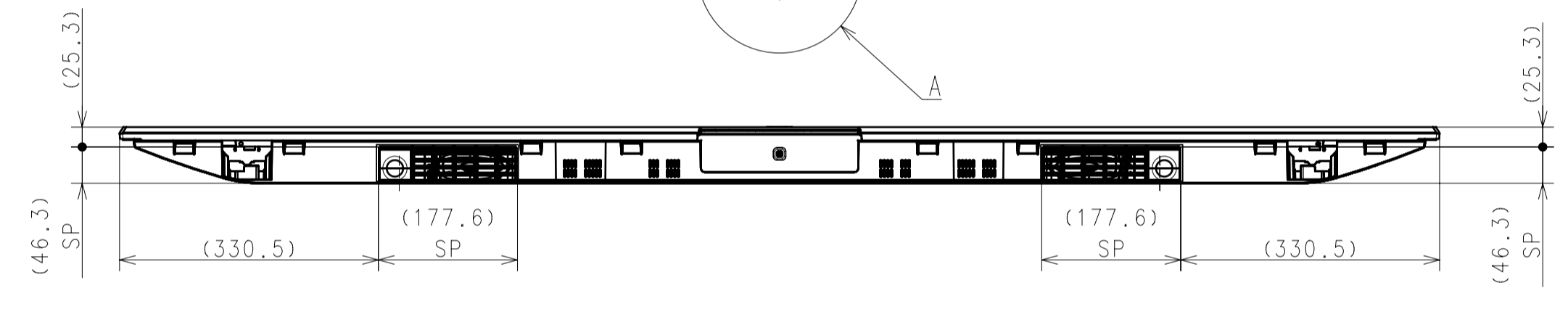
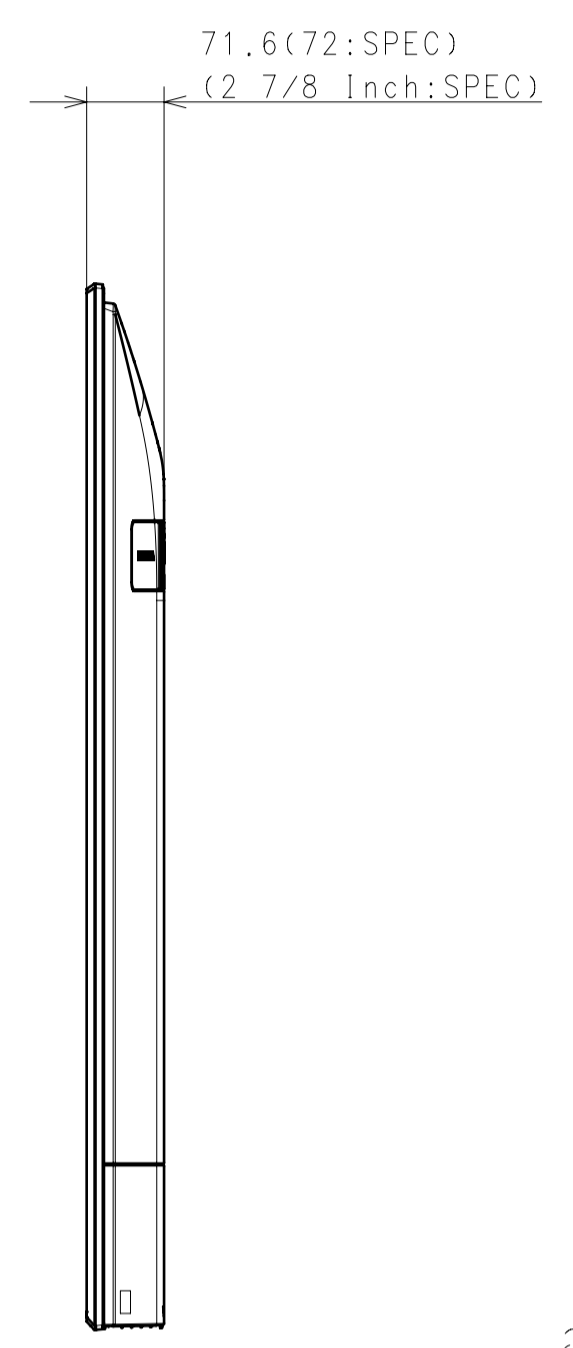
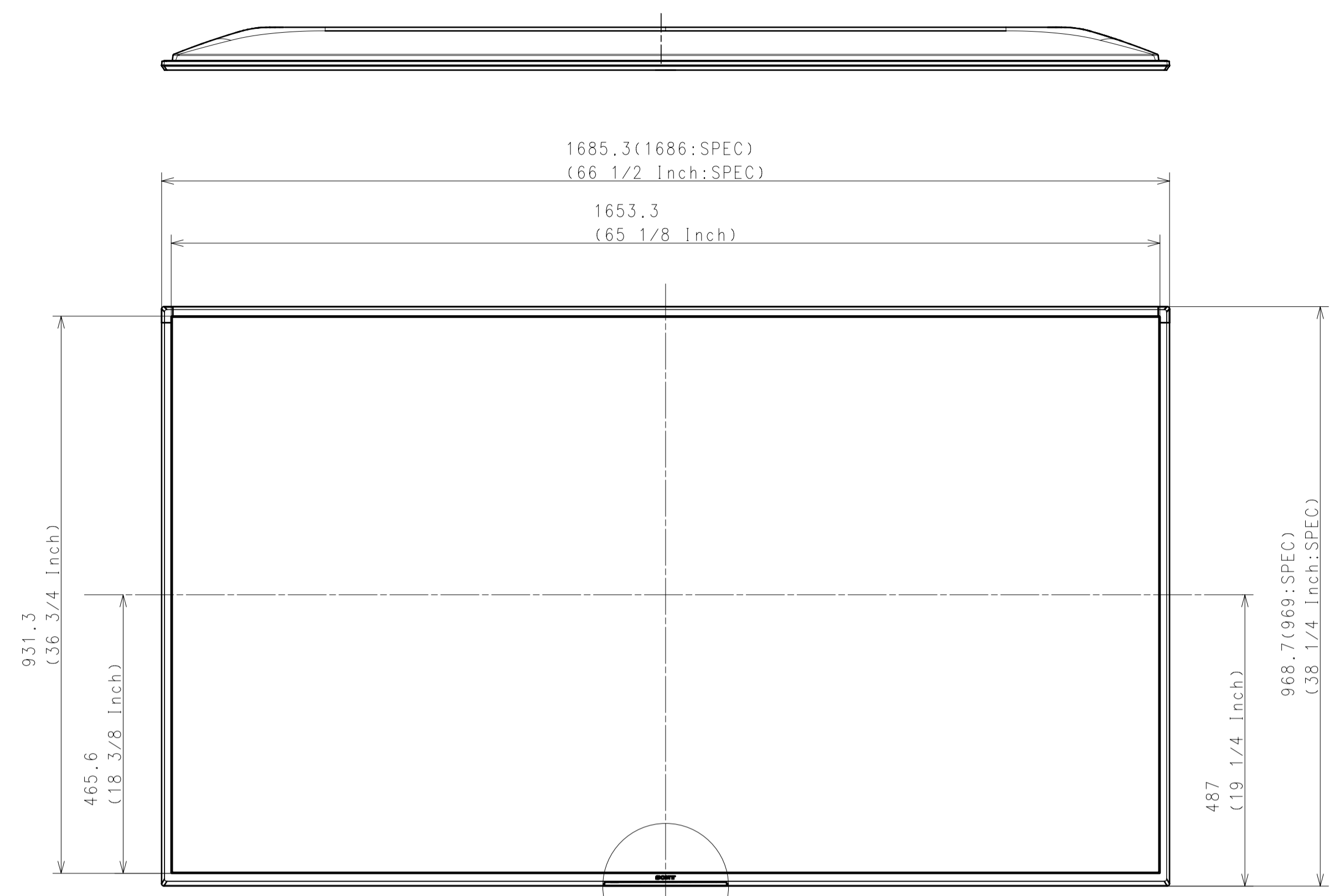
WITH STAND

NARROW POSITION  
(EUROPE Model only)

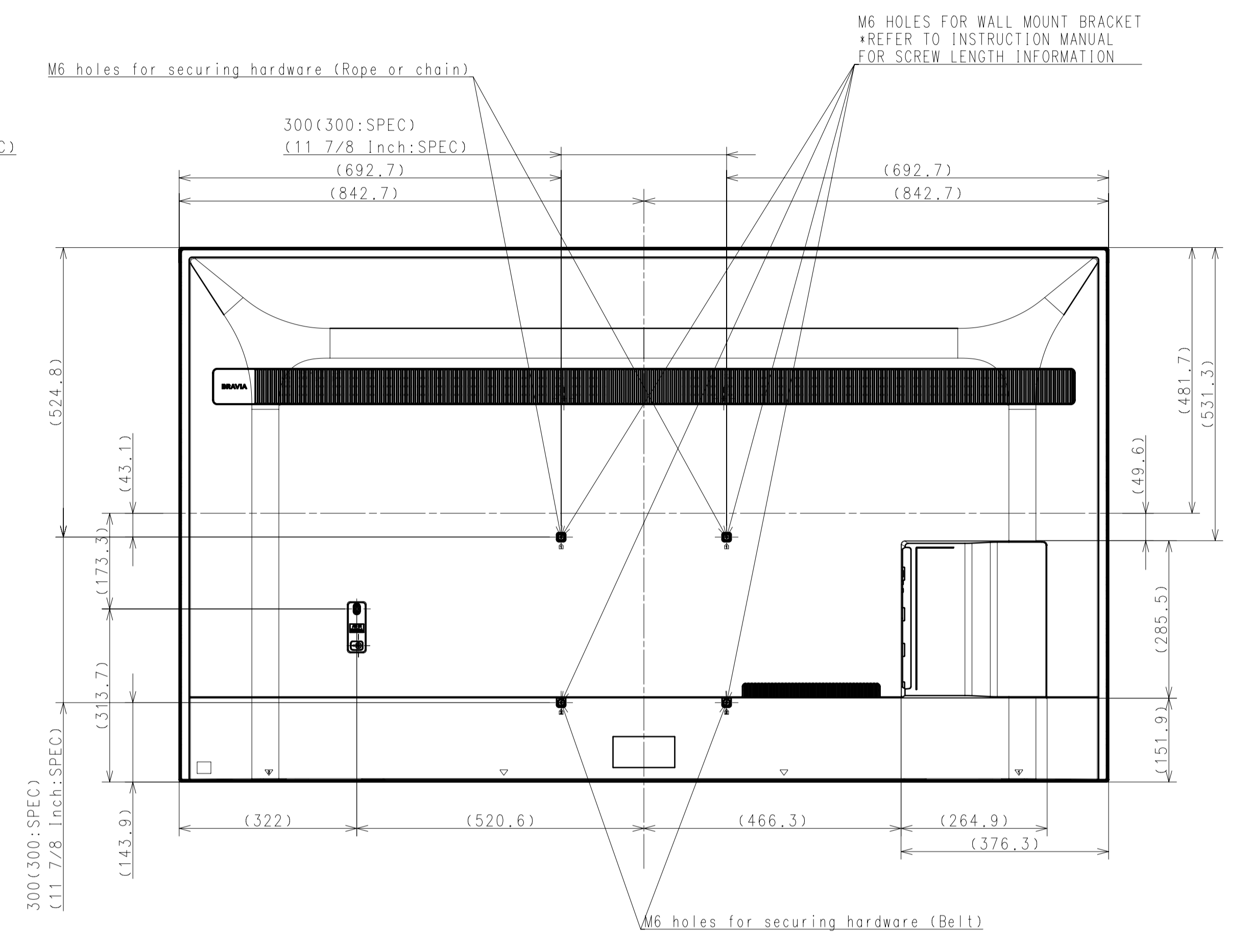


DESCRIPTION 1	LEGAL OWNER	SCALE
75(X80J) EXTERIOR VIEW	Sony Corporation	1:8
DESCRIPTION 2	PART NO.	SHEET/PAGES
75(X80J) EXTERIOR VIEW		2 / 5

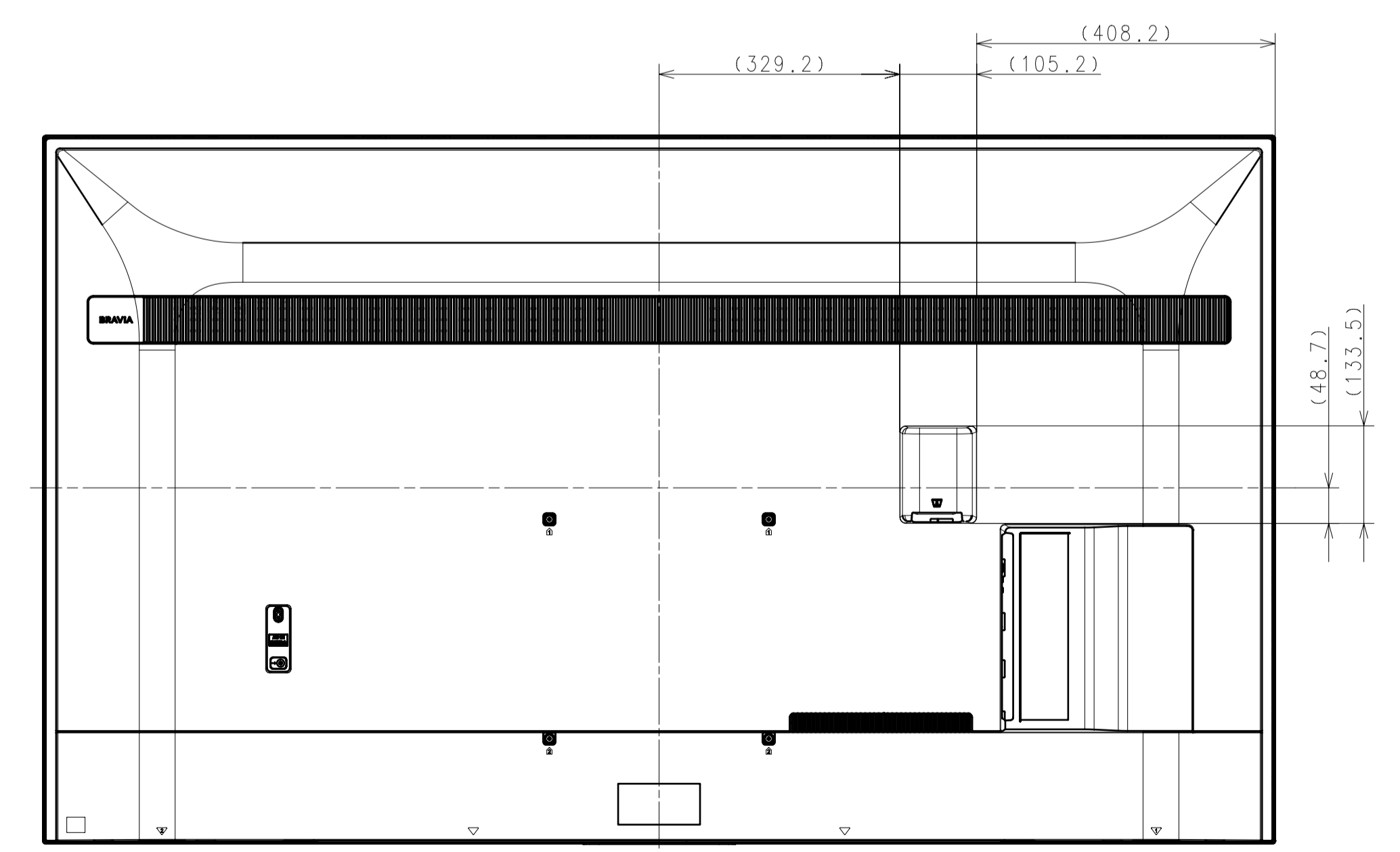
WITHOUT STAND



For JAPAN



For GENERAL AREA



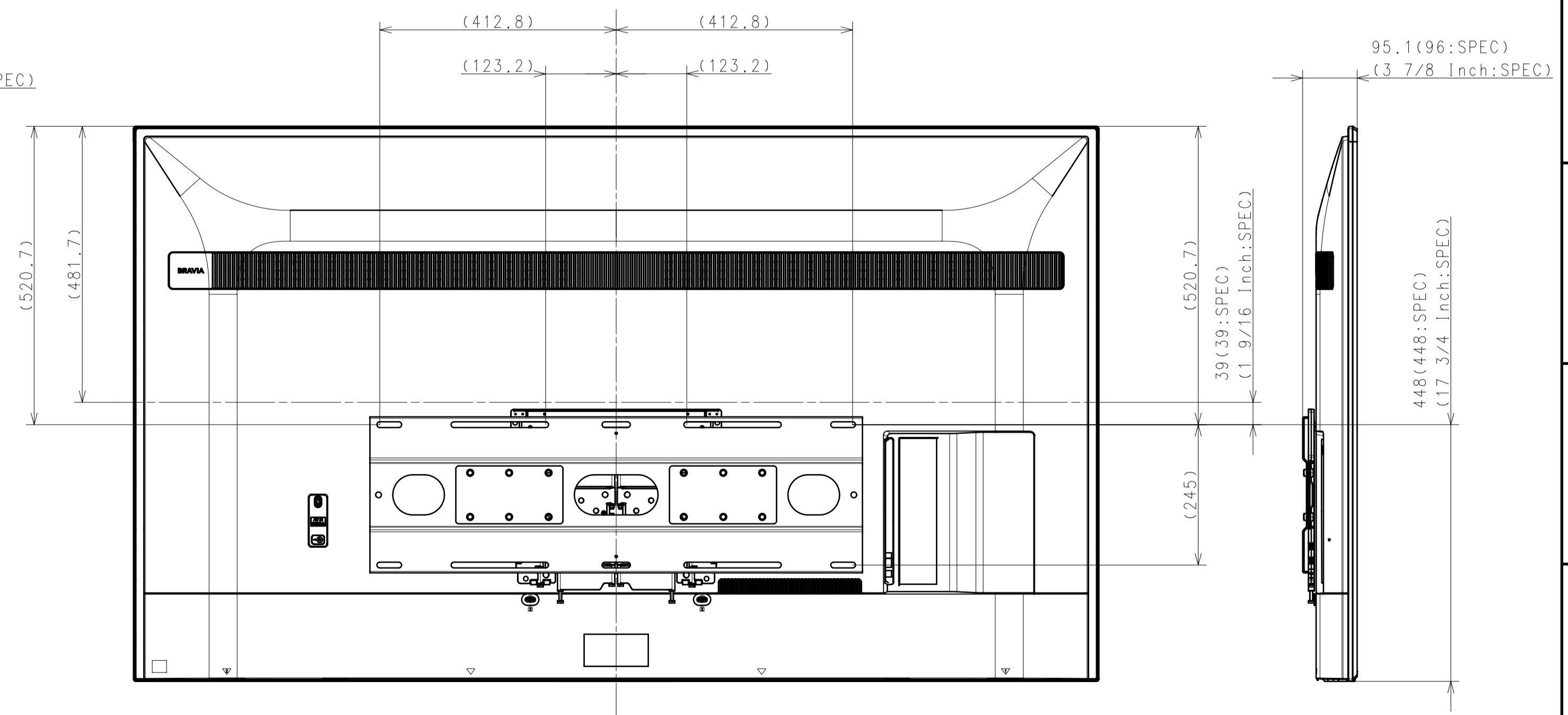
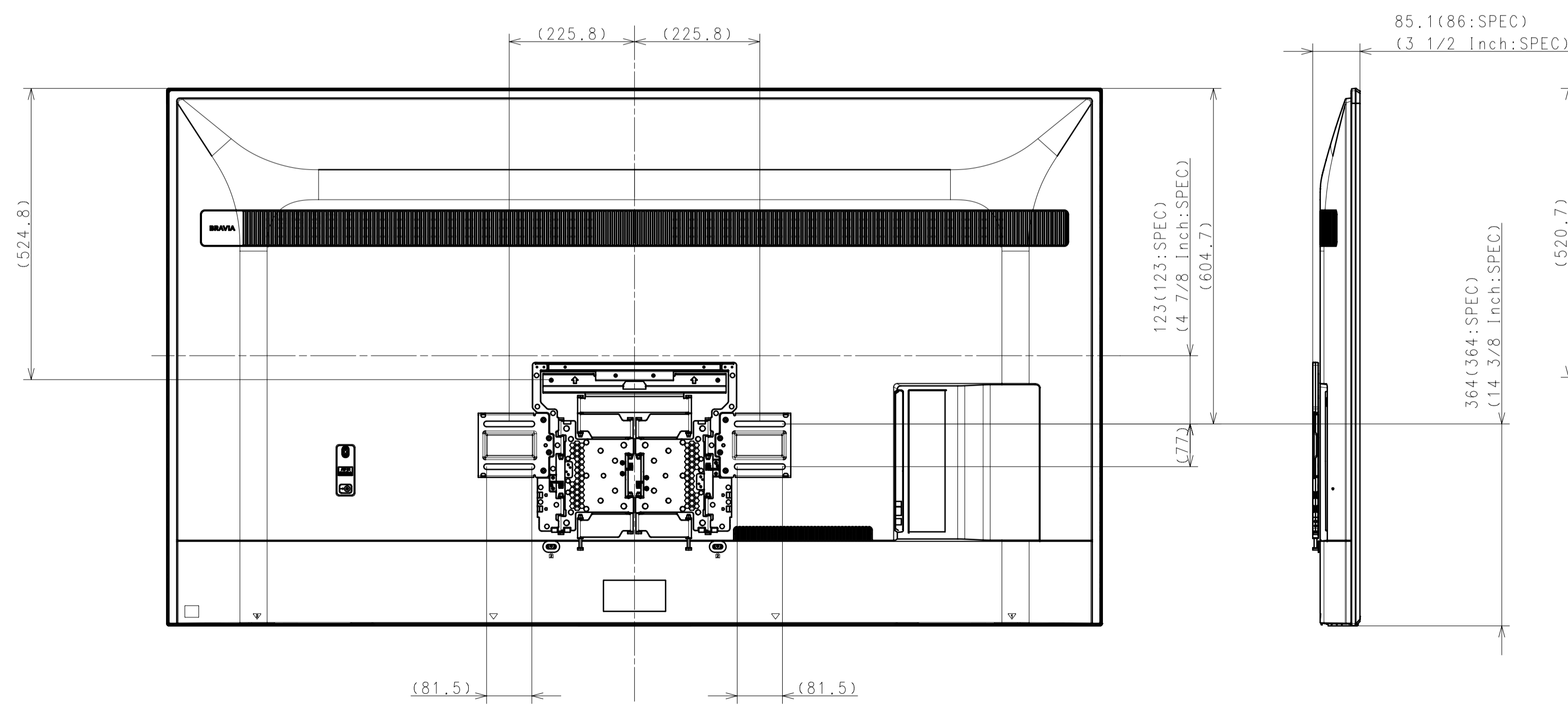
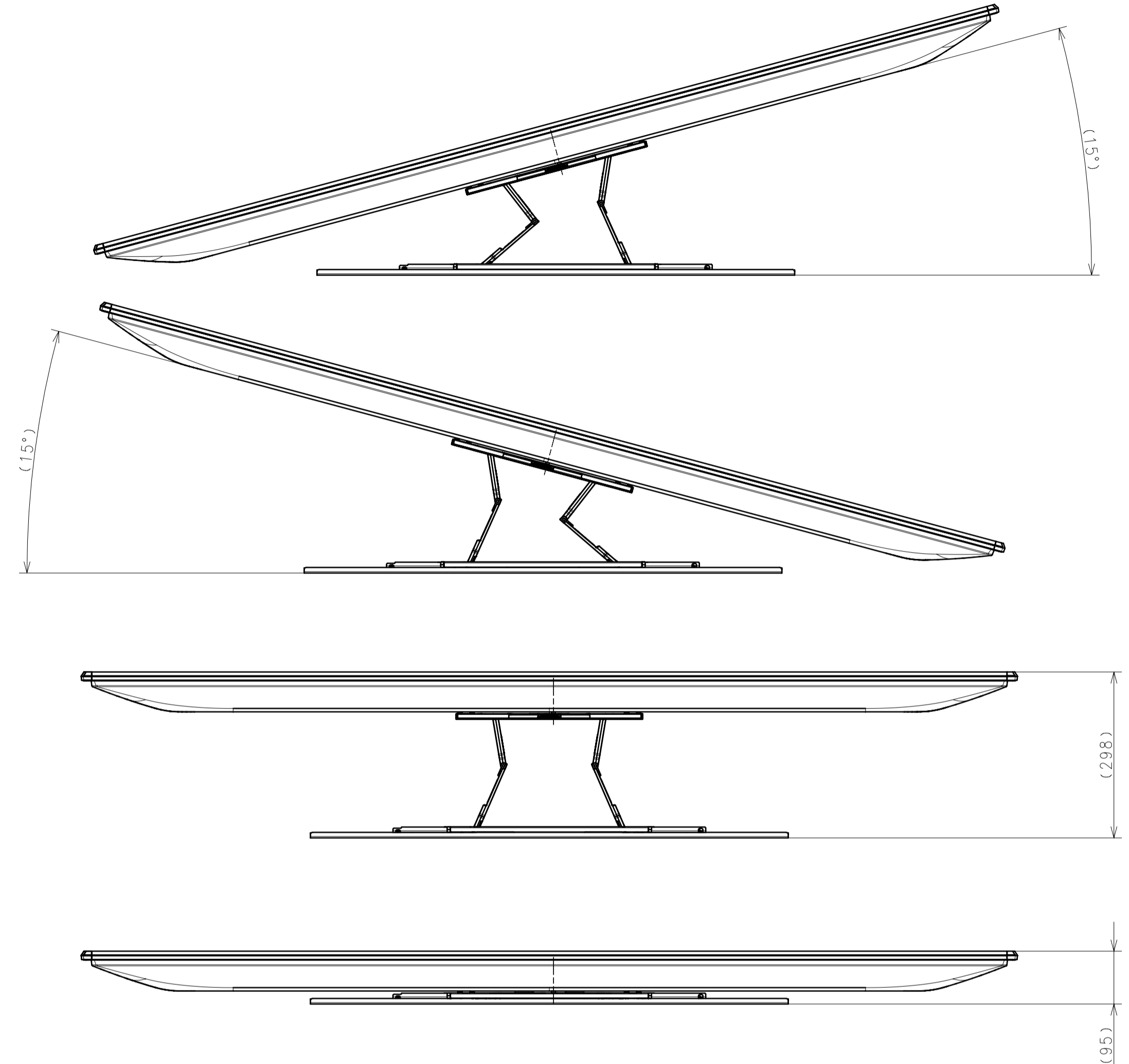
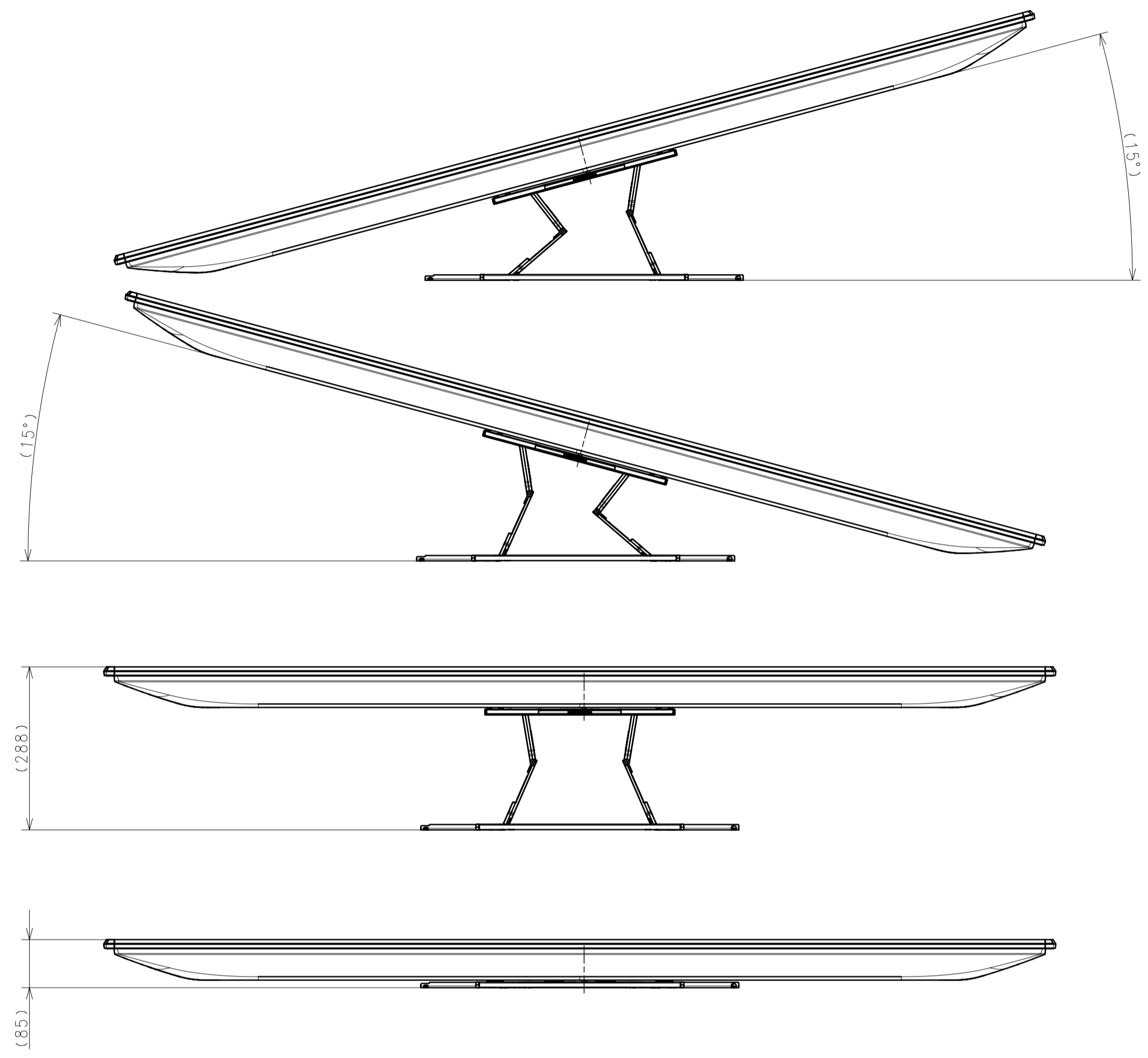
For EUROPE

DESCRIPTION: 75(X80J) EXTERIOR VIEW	EQUIV. OVER: Sony Corporation	SCALE: 1:7
DESCRIPTION: 75(X80J) EXTERIOR VIEW	TENTATIVE PART NO.	SHEET/PAGES: 3/ 5



SU-WL 850

SU-WL 855 WITH LATERAL SHAFT BRACKET



DESCRIPTION 1	LEGAL OWNER	SCALE
75(X80J) EXTERIOR VIEW	Sony Corporation	1:7
DESCRIPTION 2	PART NO.	SHEET/PAGES
75(X80J) EXTERIOR VIEW		5 / 5