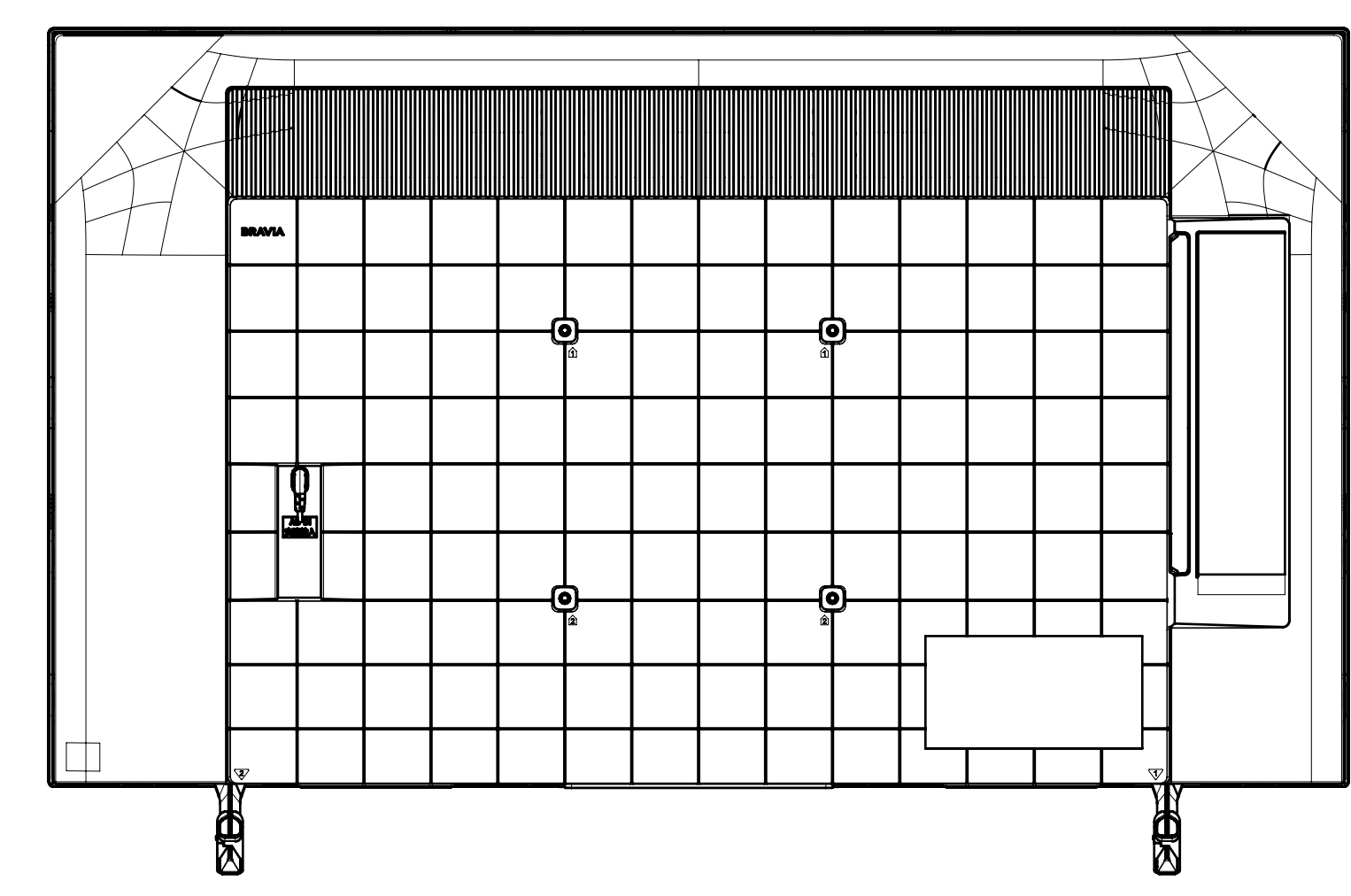
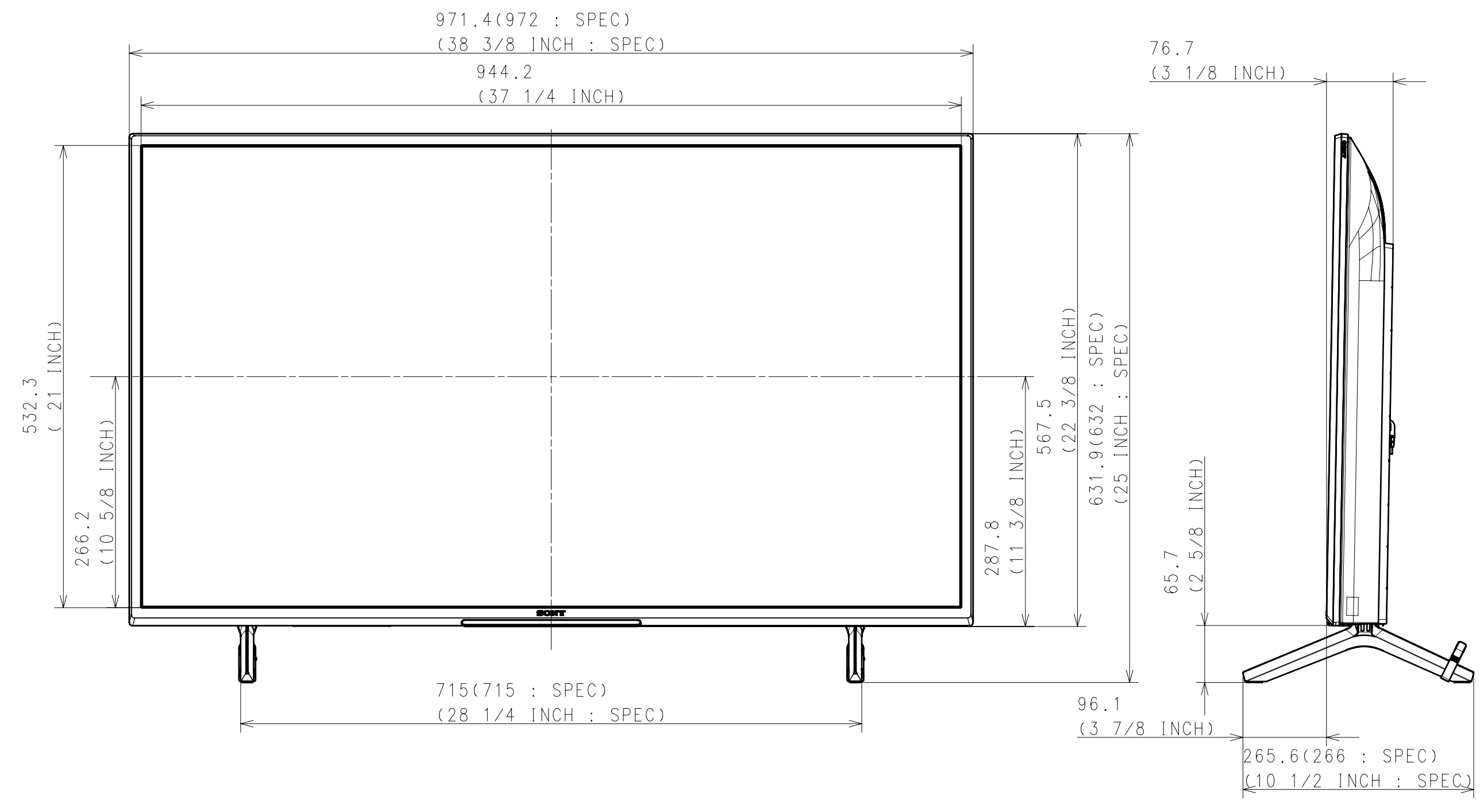
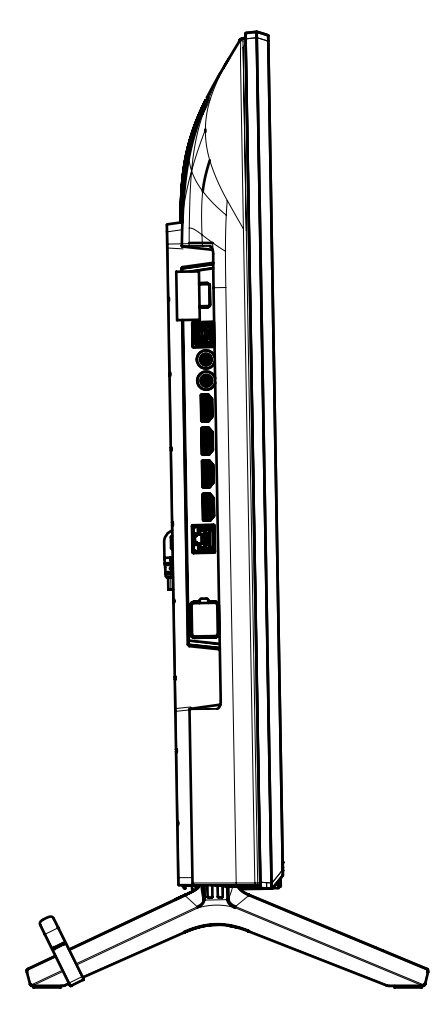
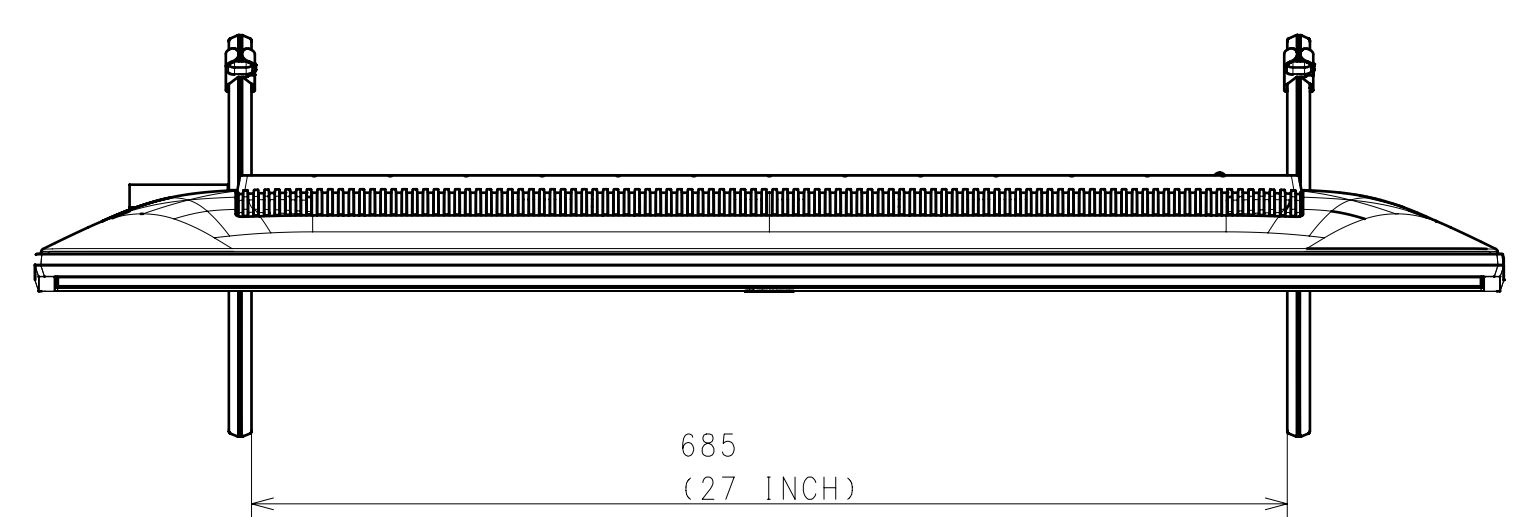


WITH STAND

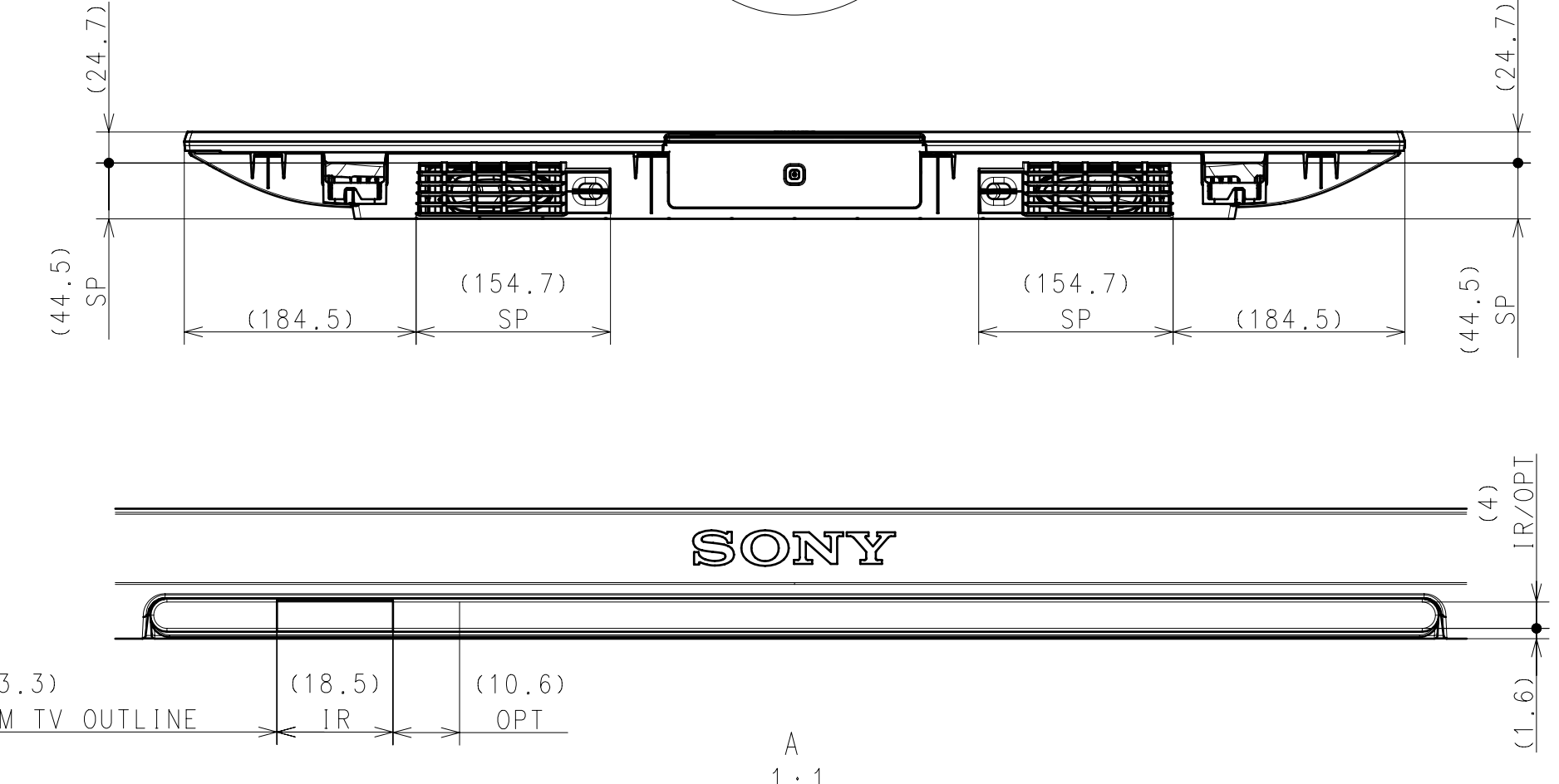
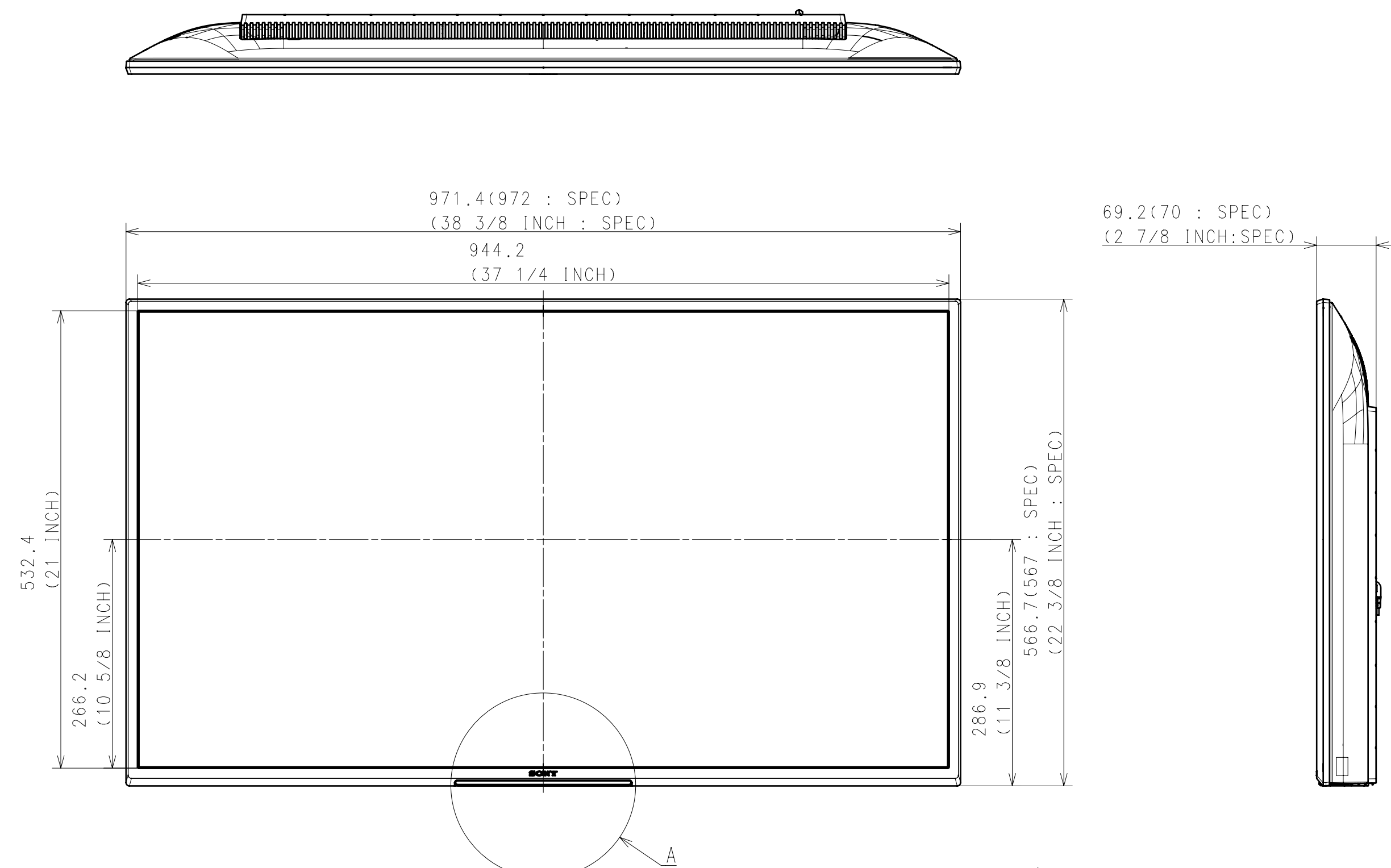


Area	JAPAN	EUROPE	GENERAL AREA	
Model Name	KJ-43X75WL	KD-43X75WL	KD-43X75WL	
SV No.	SV-41566	SV-41532	SV-41729	
DIMENSION	TV only (W x H x D)	97.2 x 56.7 x 7.0 cm	Approx. 97.2 x 56.7 x 7.0 cm	Approx. 97.2 x 56.7 x 7.0 mm
	TV only with camera (W x H x D)	-	-	-
	TV with Stand (Standard position) (W x H x D)	97.2 x 63.2 x 26.6 cm	Approx. 97.2 x 63.2 x 26.6 cm	Approx. 97.2 x 63.2 x 26.6 mm
	TV with Stand (Narrow position) (W x H x D)	-	-	-
	TV with Stand (Soundbar position) (W x H x D)	-	-	-
	TV with Stand (Front position style) (W x H x D)	-	-	-
	TV with Stand (Back position style) (W x H x D)	-	-	-
	TV with Floor Stand (W x H x D)	-	-	-
	Stand Width (Standard position)	71.5 cm	Approx. 71.5 cm	Approx. 715 mm
	Stand Width (Narrow position)	-	-	-
	Stand Width (Soundbar position)	-	-	-
	Stand Width (Front position style)	-	-	-
	Stand Width (Back position style)	-	-	-
Floor Stand Width	-	-	-	
VESA Hole Pitch	20.0 x 20.0 cm	20.0 x 20.0 cm	200 x 200 mm	
WEIGHT	TV Only	9.3 kg	Approx. 9.3 kg	Approx. 9.3 kg
	TV with Stand (Standard position)	9.5 kg	Approx. 9.5 kg	Approx. 9.5 kg
	TV with Stand (Narrow position)	-	-	-
	TV with Stand (Soundbar position)	-	-	-
	TV with Stand (Front/Back position style)	-	-	-
	TV with Floor Stand	-	-	-
Floor Stand weight (Supply)	-	-	-	
W-M't Br. Weight (Supply)	-	-	-	
Remarks				

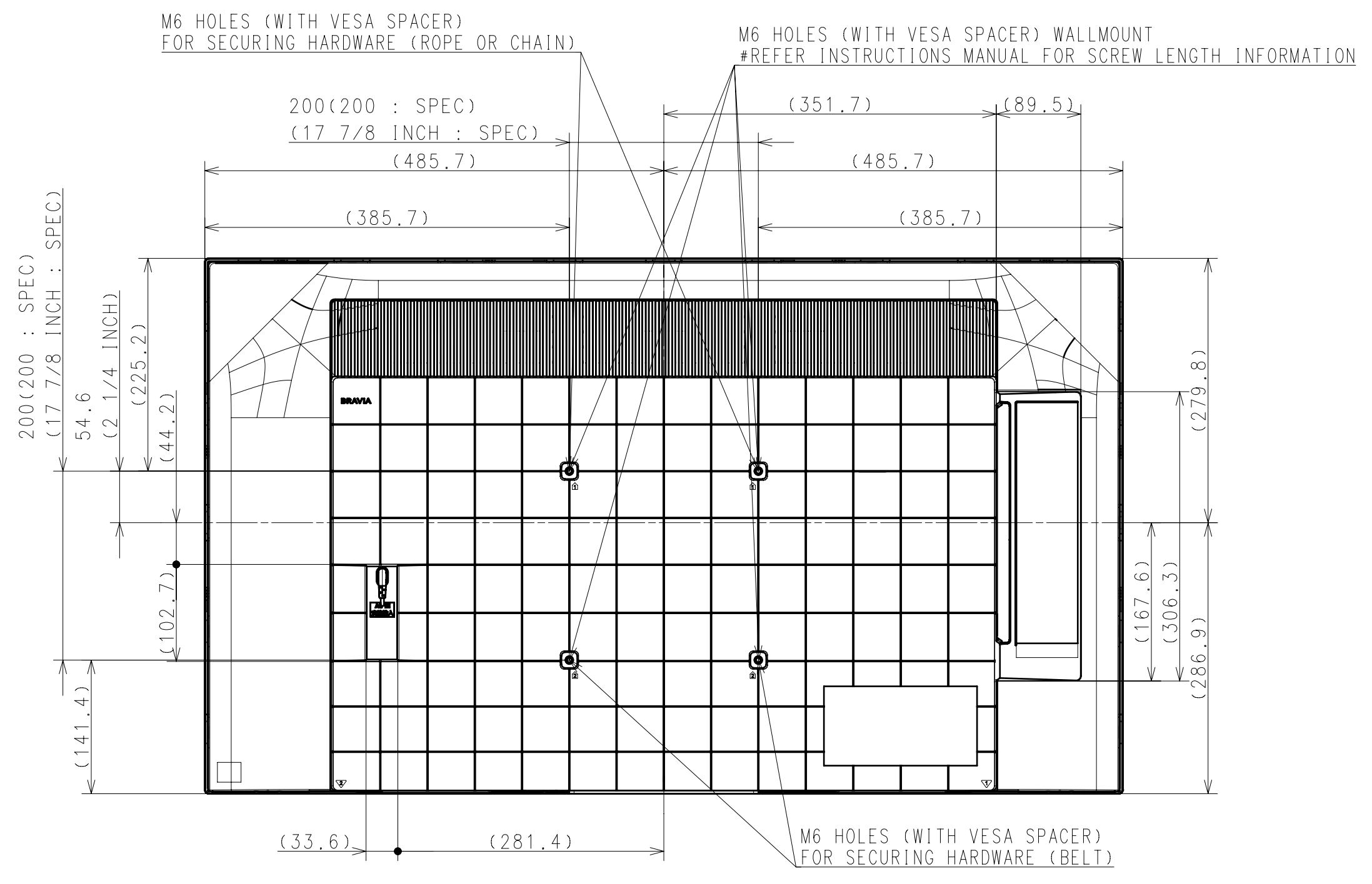
Purchase recycled resins and wire rods only from the business partners that Sony approves as Green Partners.
再生樹脂・銅線材はグリーンパートナー認定者からの調達を促すこと。

HISTORY V. COUNT SUFFIX AREA NO. REV. DATE		RELEASE NO. DATE		REVISION		SIGN		MATERIAL COLOR		FINISH COLOR	
RESPONSIBLE DEPARTMENT PLANNED BY DRAWN BY		CHECKED BY APPROVED BY		SCALE 1:5		TENTATIVE MODEL ORIGINAL MODEL 43(X75WL) EXTERIOR VIEW		DESCRIPTION 43(X75WL) EXTERIOR VIEW		SHEET/PAGES 1/3	
GENERAL TOLERANCE		DATE OF ISSUE 2023.01.03		DOCUMENT TYPE ASSEMBLY		TOLERANCE DRAWING (JIS & JIS/ISO BASIS)		FINISH COLOR		SHEET/PAGES 1/3	

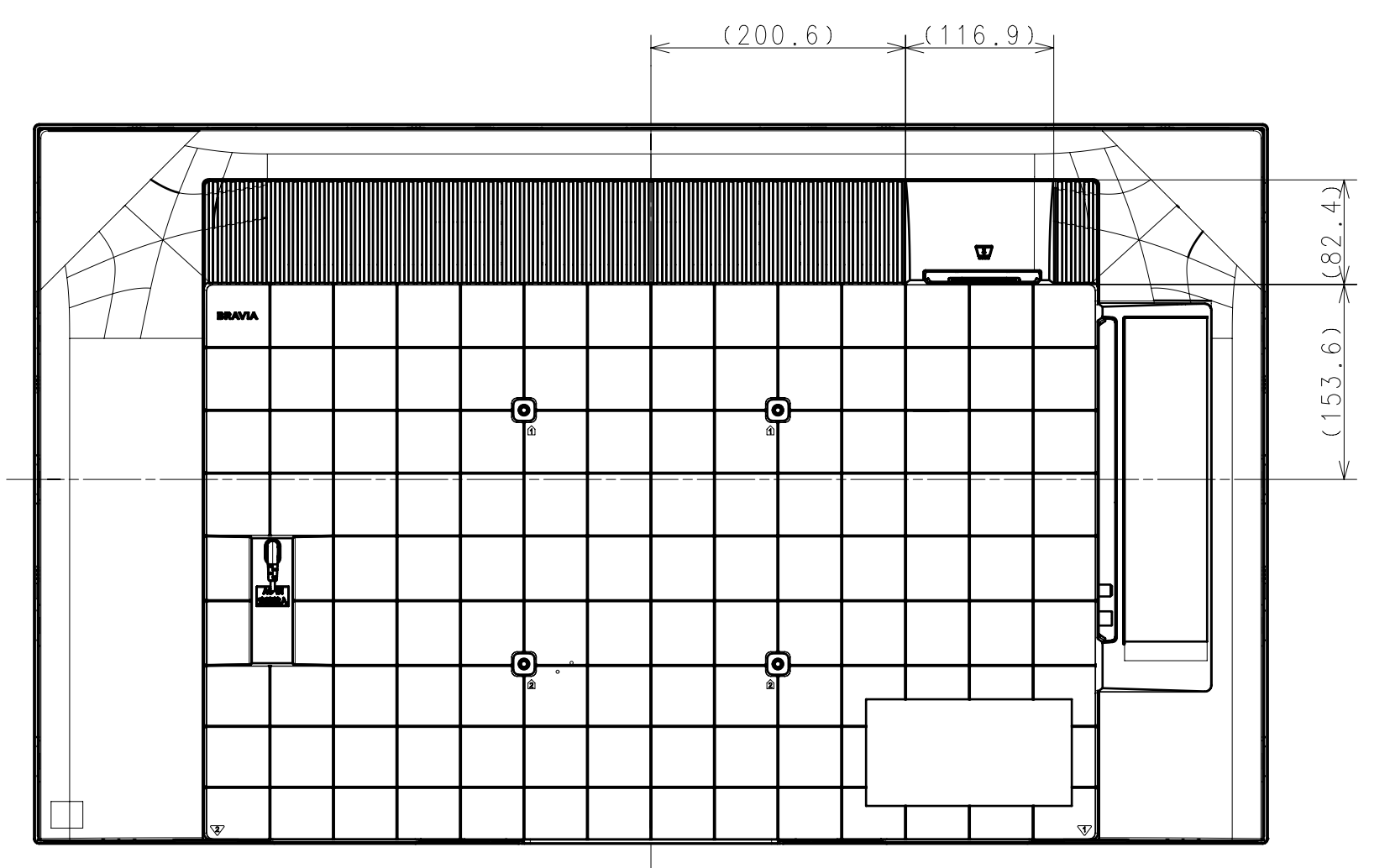
WITHOUT STAND



A
1:1



FOR GENERAL AREA, JAPAN



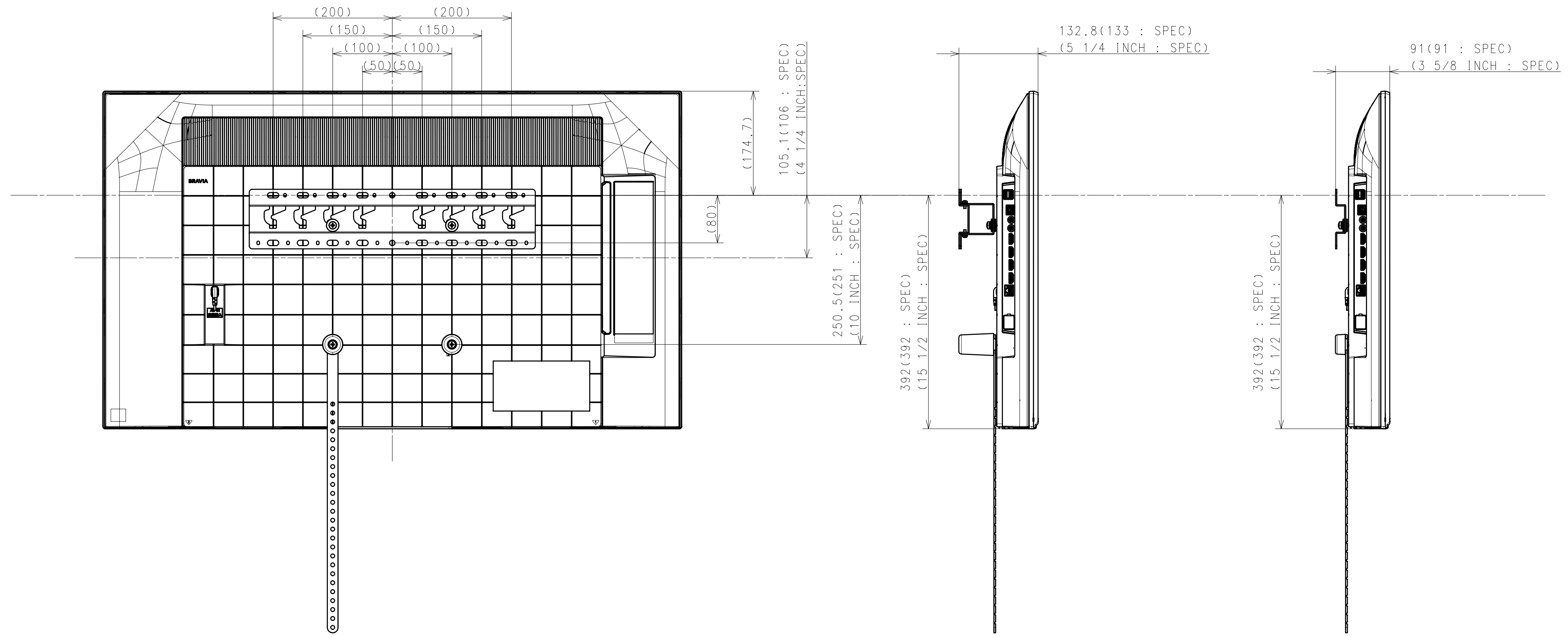
FOR EUROPE

DESCRIPTION1 43(X75WL) EXTERIOR VIEW	LEGAL OWNER Sony Corporation	SCALE 1:5
DESCRIPTION2 43(X75WL) EXTERIOR VIEW	PART NO.	SHEET/PAGES 2 / 3

SU-WL450

STANDARD

SLIM



DRAWING

SONY STANDARD

DESCRIPTION 1	LEGAL OWNER	SCALE
43(X75WL) EXTERIOR VIEW	Sony Corporation	1:5
DESCRIPTION 2	PART NO.	SHEET/PAGES
43(X75WL) EXTERIOR VIEW		3 / 3