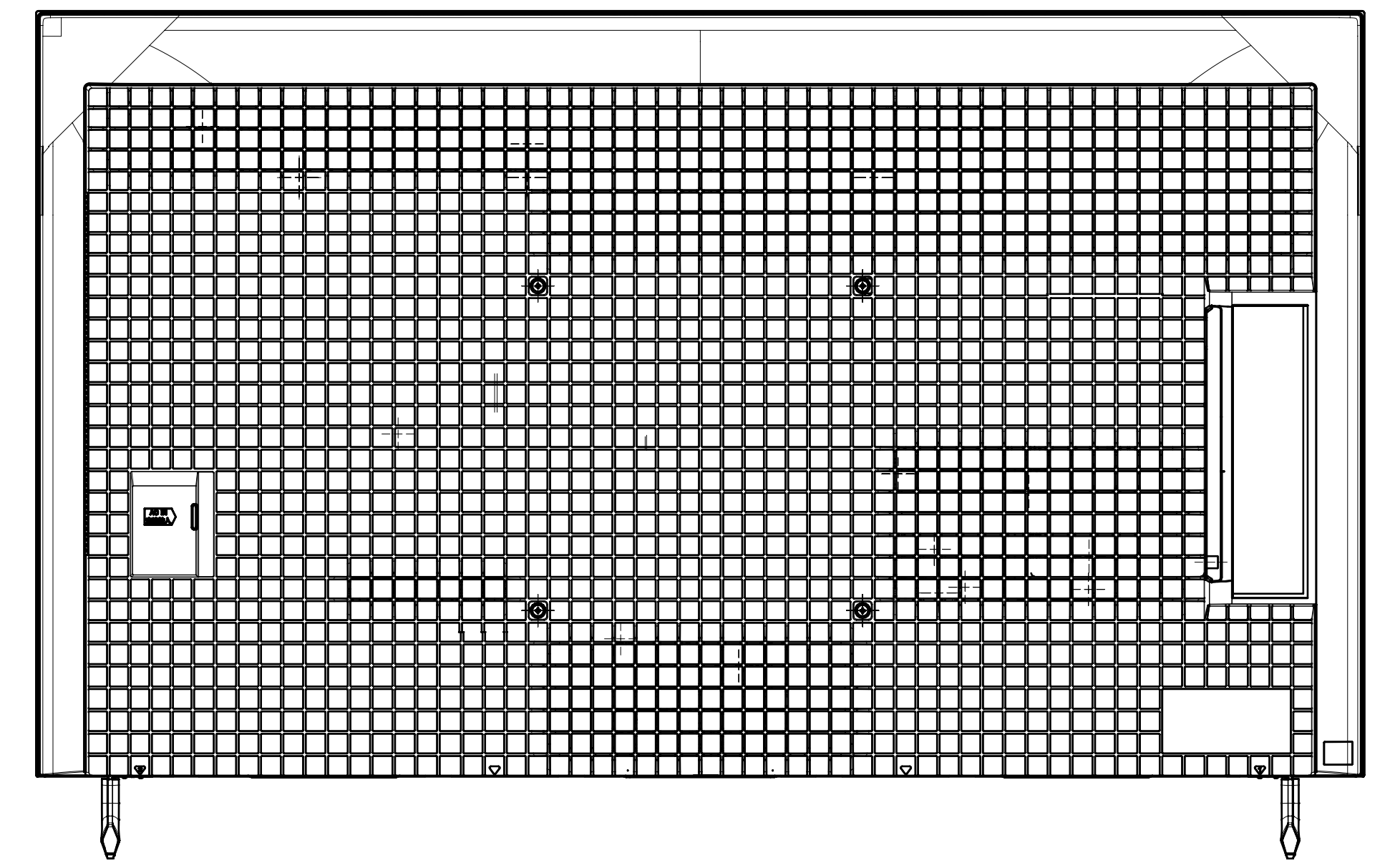
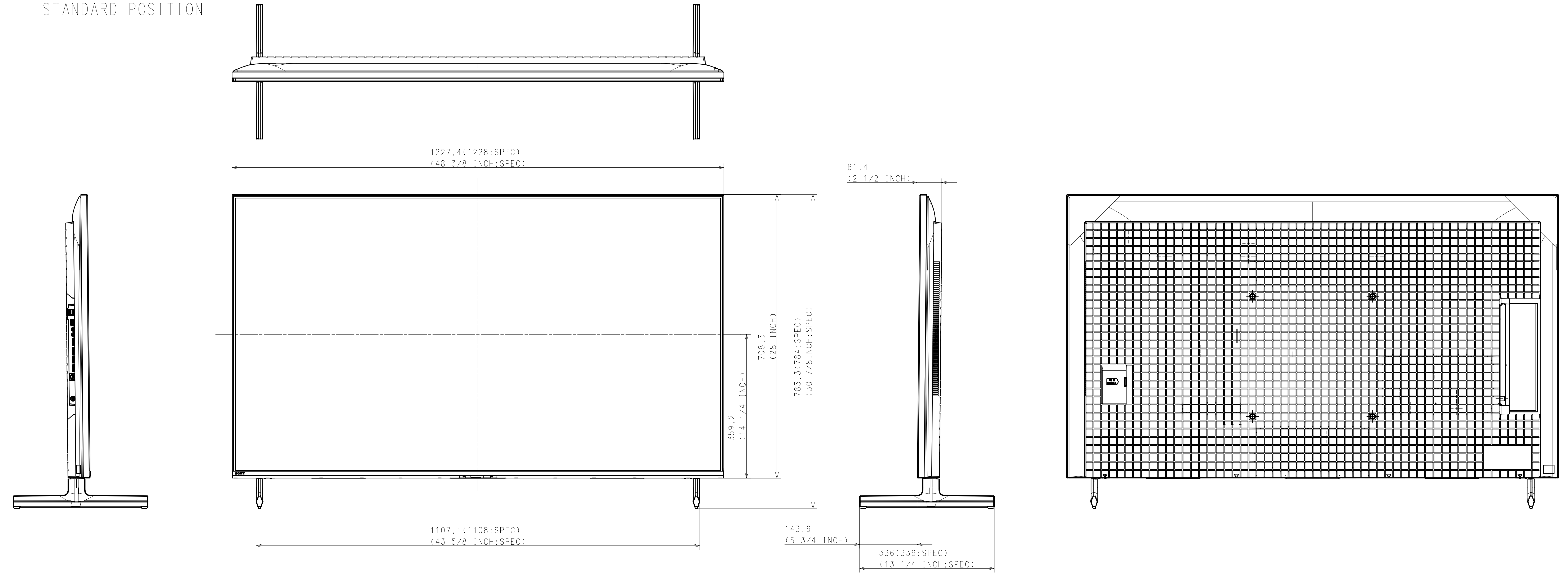


Area	JAPAN	EUROPE	GENERAL AREA	CHINA
Model Name	KJ-55X85L	KD-55X85L	KD-55X85L	KD-55X85L
SV No.	SV-41546	SV-41535	SV-41447	SV-41503
DIMENSION	TV only (W x H x D)	122.8 x 70.9 x 5.6 (4.00) cm	Approx. 122.8 x 70.9 x 5.6 (4.00) cm	Approx. 122.8 x 70.9 x 5.6 (40) mm
	TV only with camera (W x H x D)	-	-	-
TV with Stand (Standard position) (W x H x D)	122.8 x 78.4 x 33.6 cm	Approx. 122.8 x 78.4 x 33.6 cm	Approx. 122.8 x 78.4 x 33.6 mm	Approx. 122.8 x 78.4 x 33.6 mm
	TV with Stand (Narrow position) (W x H x D)	-	Approx. 122.8 x 78.4 x 33.6 cm	-
TV with Stand (Soundbar position) (W x H x D)	-	-	-	-
TV with Stand (Front position style) (W x H x D)	-	-	-	-
TV with Stand (Back position style) (W x H x D)	-	-	-	-
TV with Floor Stand (W x H x D)	-	-	-	-
Stand Width (Standard position)	110.8 cm	Approx. 110.8 cm	Approx. 1108 mm	Approx. 1108 mm
Stand Width (Narrow position)	-	Approx. 44.5 cm	-	-
Stand Width (Soundbar position)	-	-	-	-
Stand Width (Front position style)	-	-	-	-
Stand Width (Back position style)	-	-	-	-
Floor Stand Width	-	-	-	-
VESA Hole Pitch	30.0 x 30.0 cm	30.0 x 30.0 cm	300 x 300 mm	300 x 300 mm
WEIGHT	TV Only	16.3 kg	Approx. 16.3 kg	Approx. 16.3 kg
	TV with Stand (Standard position)	17.4 kg	Approx. 17.4 kg	Approx. 17.4 kg
TV with Stand (Narrow position)	-	Approx. 17.4 kg	-	-
TV with Stand (Soundbar position)	-	-	-	-
TV with Stand (Front/Back position style)	-	-	-	-
TV with Floor Stand	-	-	-	-
Floor Stand weight (Supply)	-	-	-	-
W-M't Br. Weight (Supply)	-	-	-	-
Remarks	1 way	2 ways	1 way	1 way

WITH STAND

STANDARD POSITION

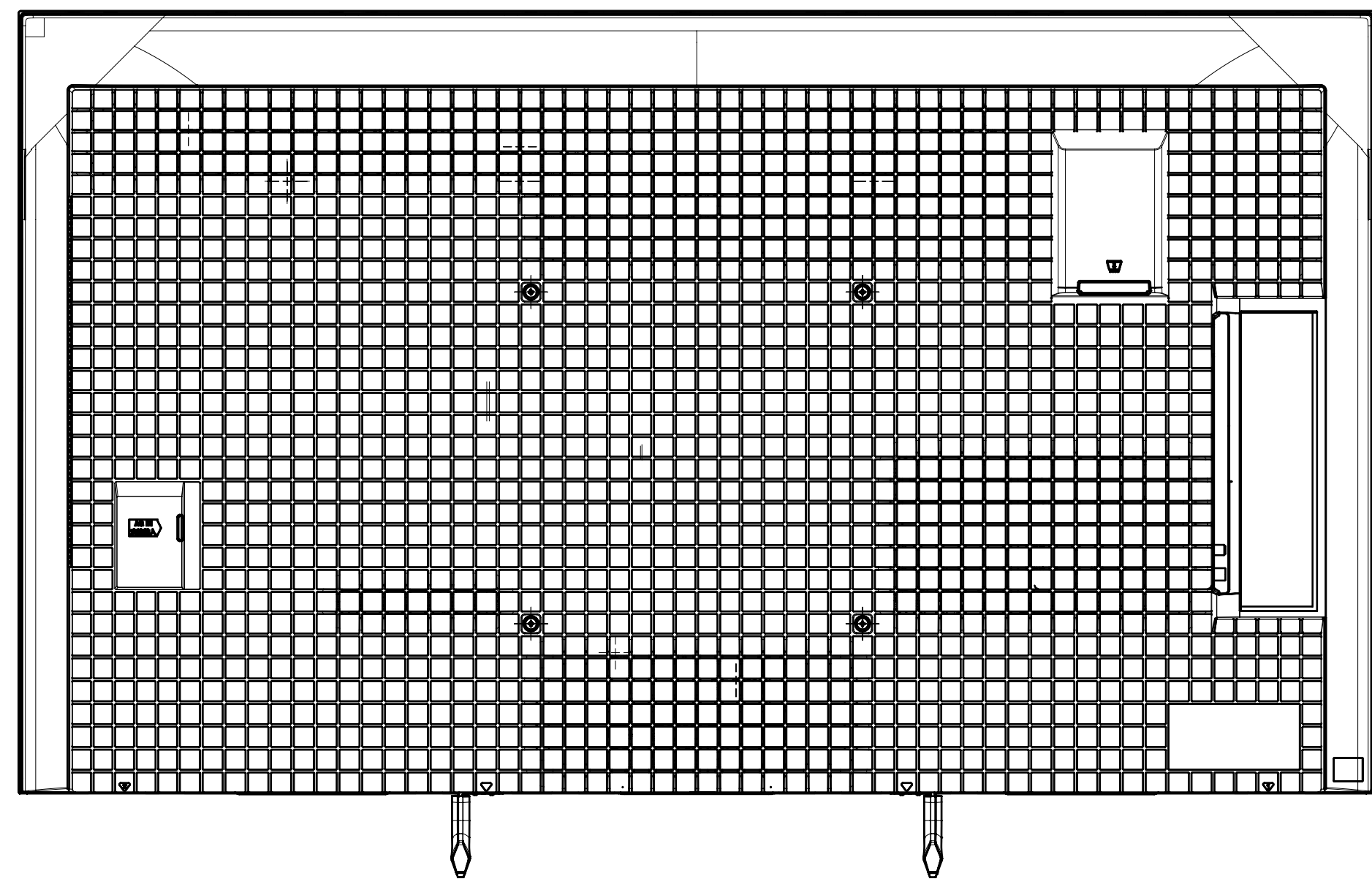
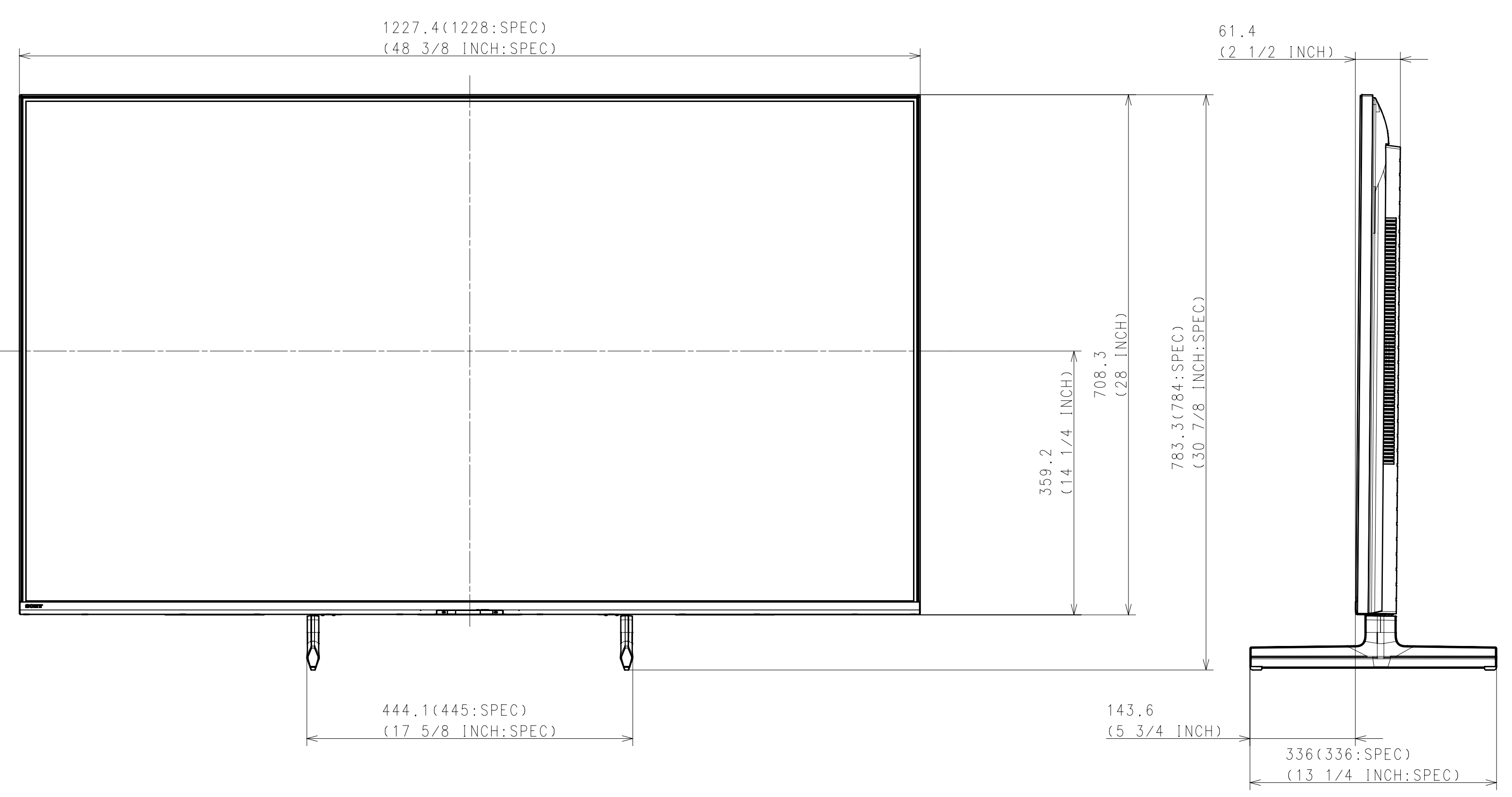
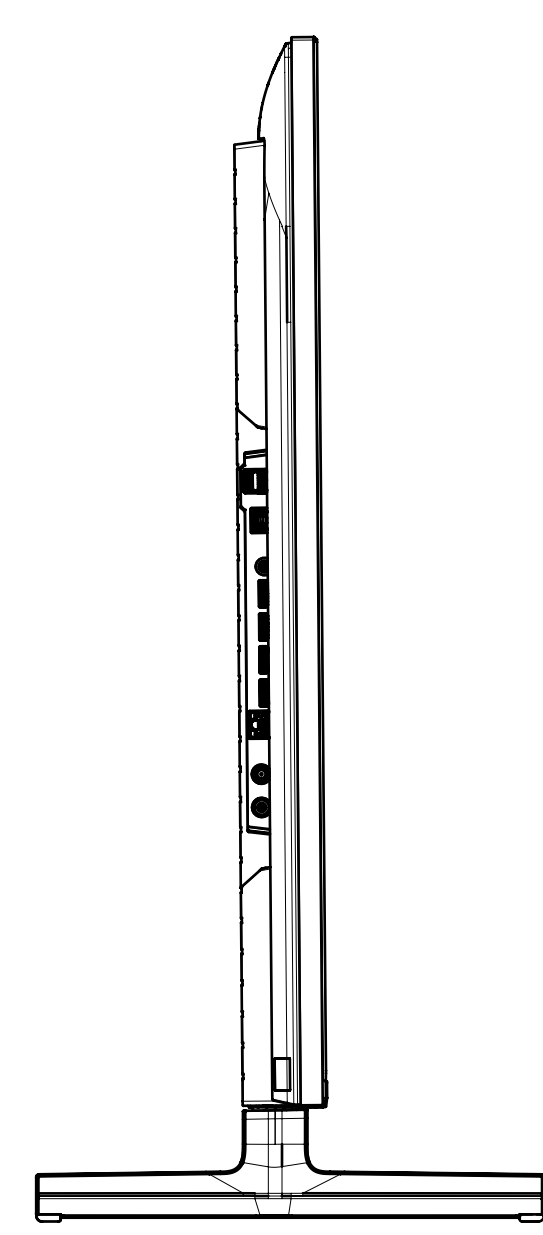
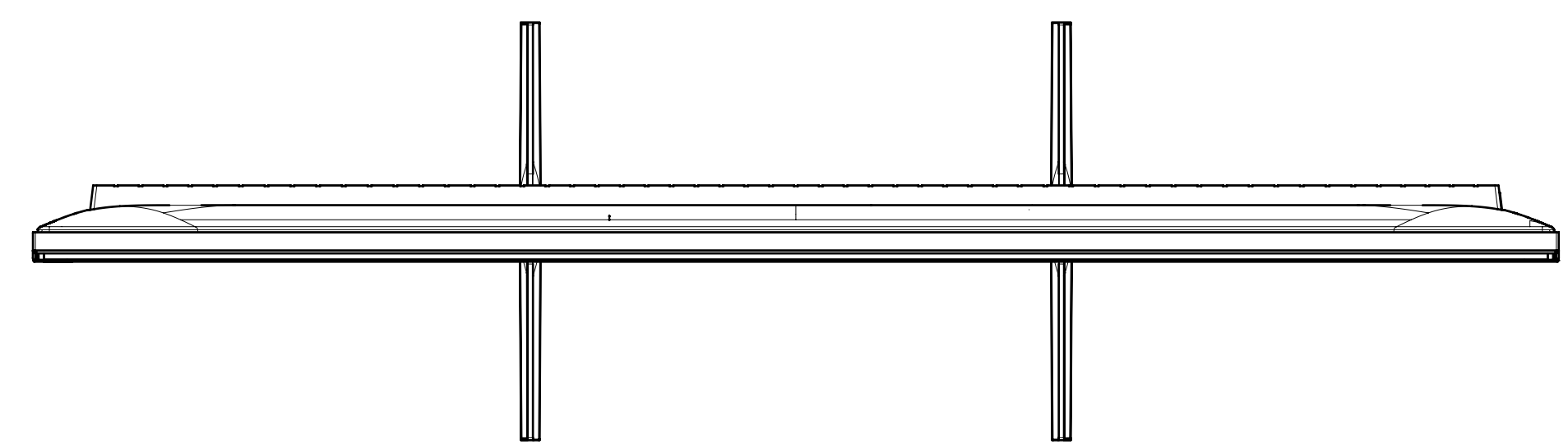


Purchase recycled resins and wire rods only from the business partners that Sony approves as Green Partners.
再生樹脂・鋼線鋼材はグリーンパートナー 認定製品から調達すること。

△A	△B	△C	△D	△E	△F	△G	△H	△I	△J	△K	△L	△M	△N	△O	△P	△Q	△R	△S	△T	△U	△V	△W	△X	△Y	△Z																				
HISTORY & COUNT												SUFFIX		RELEASE NO.		DATE		REVISION		SIGN.		MATERIAL COLOR		FINISH COLOR		GENERAL TOLERANCE		DATE OF ISSUE		DOCUMENT TYPE		PART		TOLERANCING DRAWING		(JIS & JWEI/ISO BASIS)									
RESPONSIBLE DEPARTMENT												ORIGINAL MODEL		DESCRIPTION		SIZE		UNIT		PART NO.		SUFFIX		REV. NO.		SHEET/PAGES		DATE		DRAWN BY		CHECKED BY		APPROVED BY		SCALE		TENTATIVE MODEL		DESCRIPTION		PART		SHEET/PAGES	
Sony Corporation												55(X85L)		55(X85L) EXTERIOR VIEW		1:5		A1		mm						1/5		2022.12.15		2022.12.15															

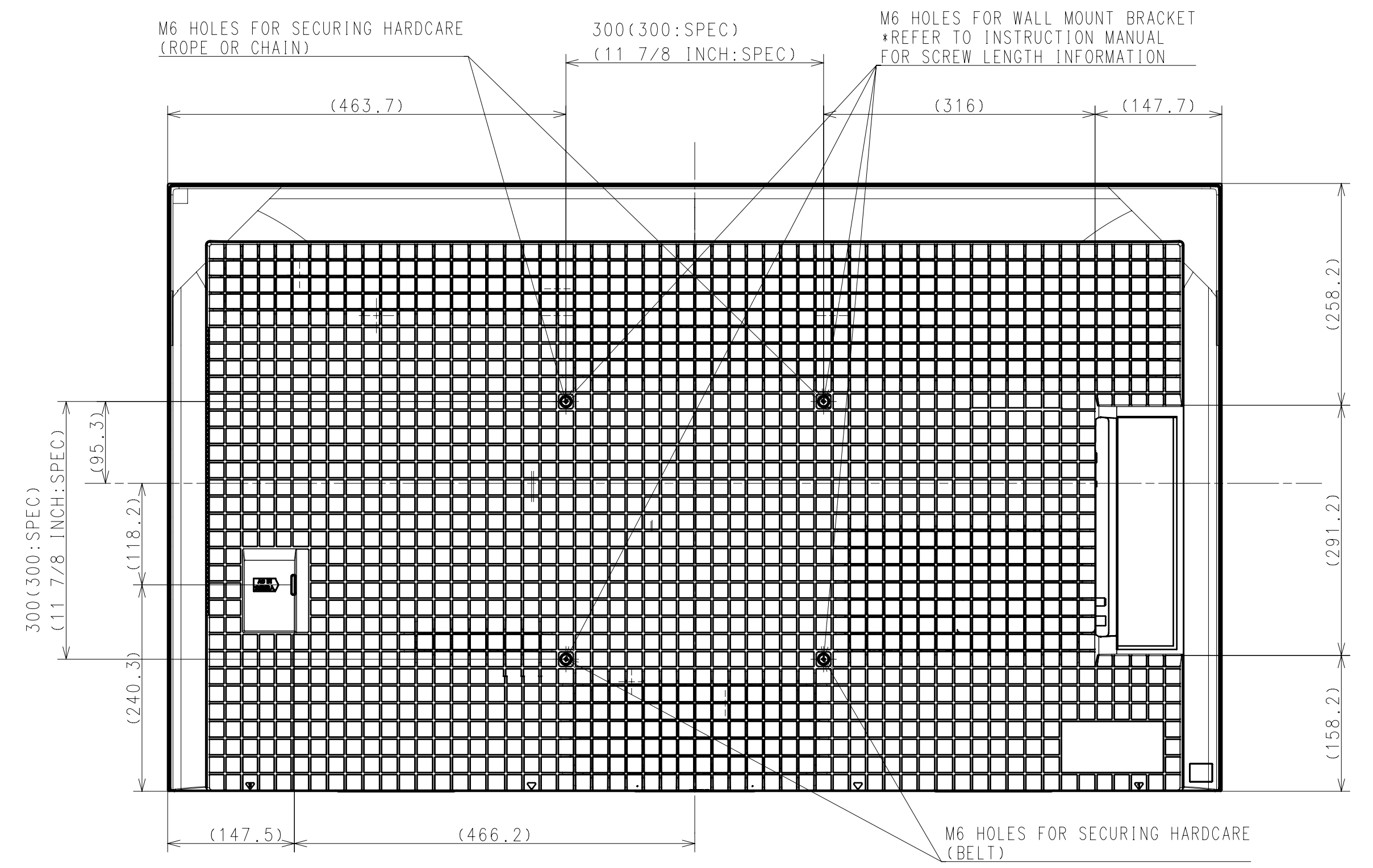
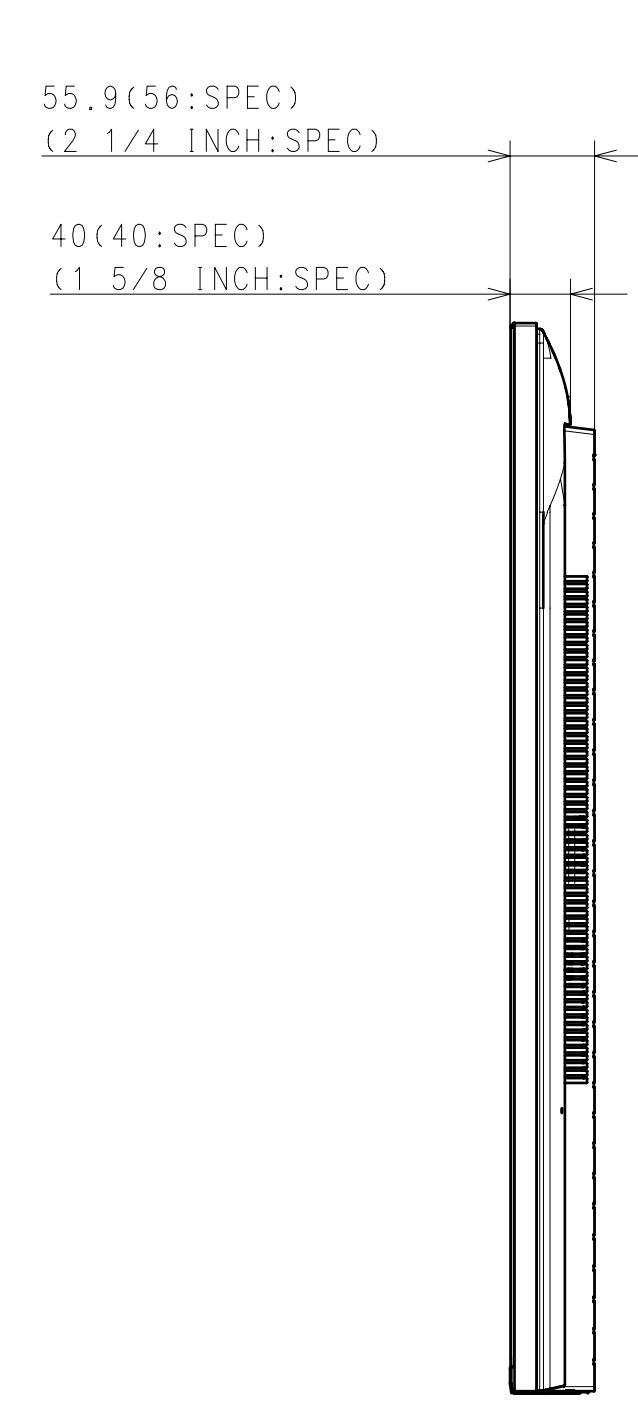
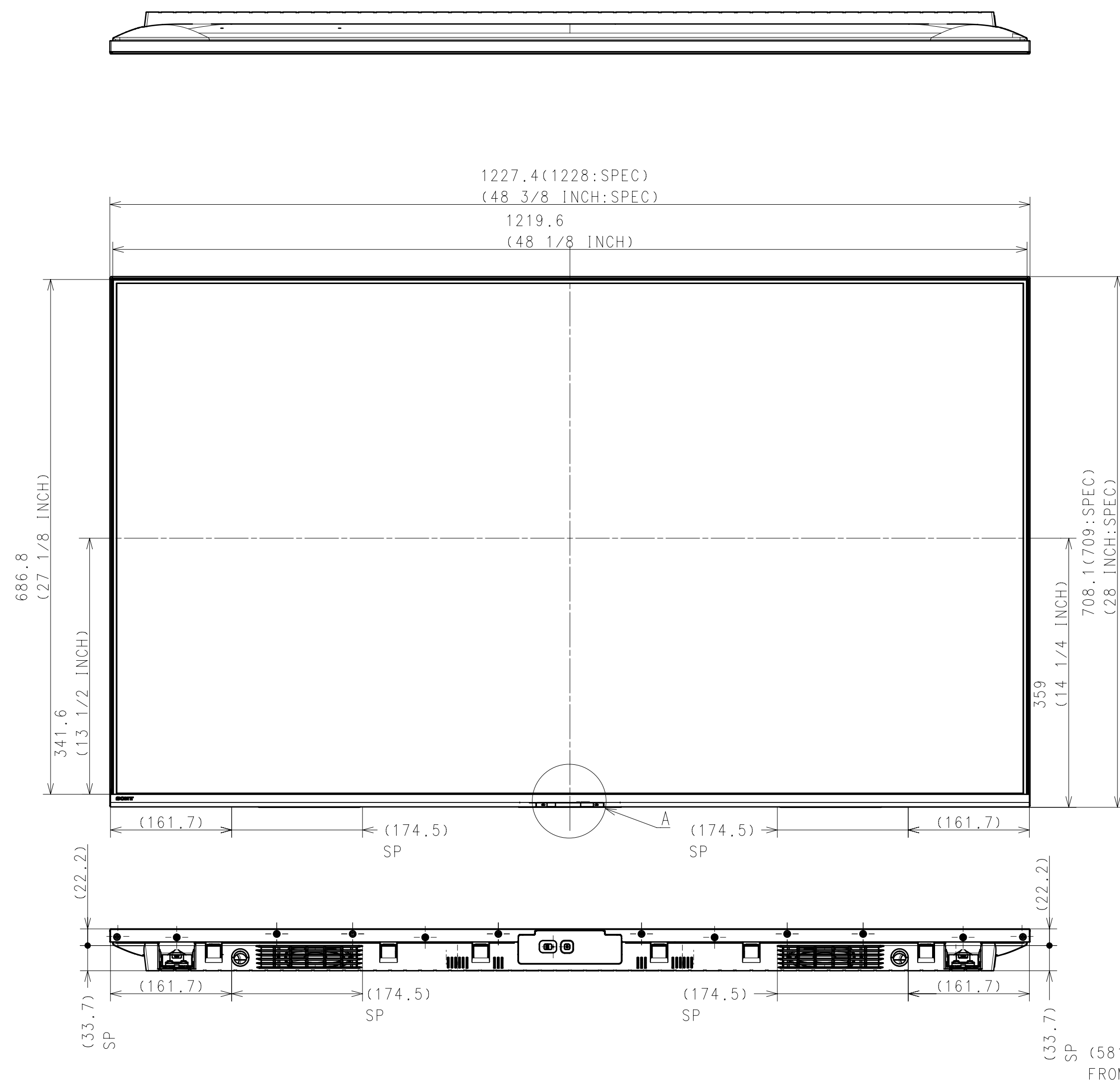
WITH STAND

NARROW POSITION

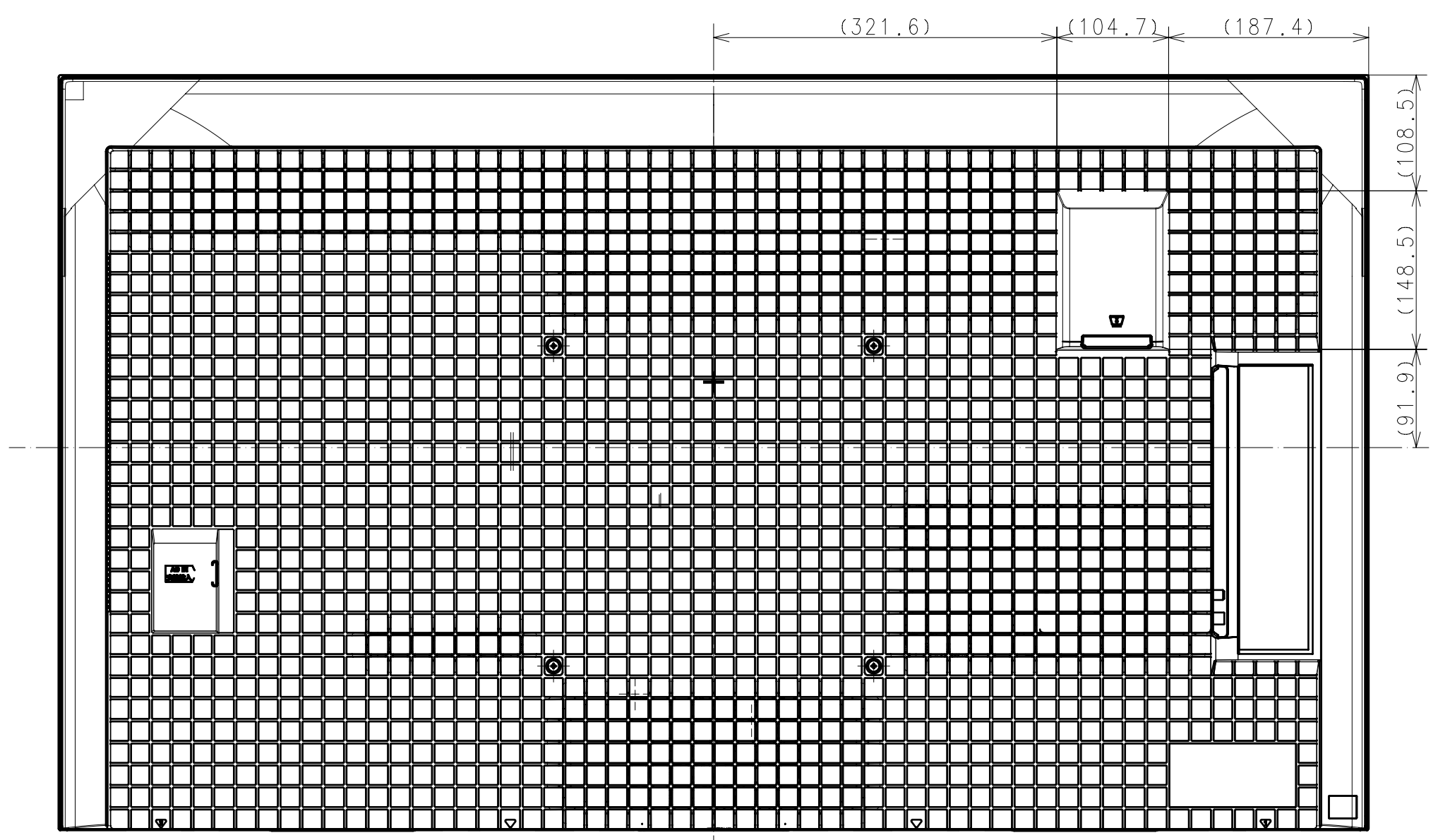
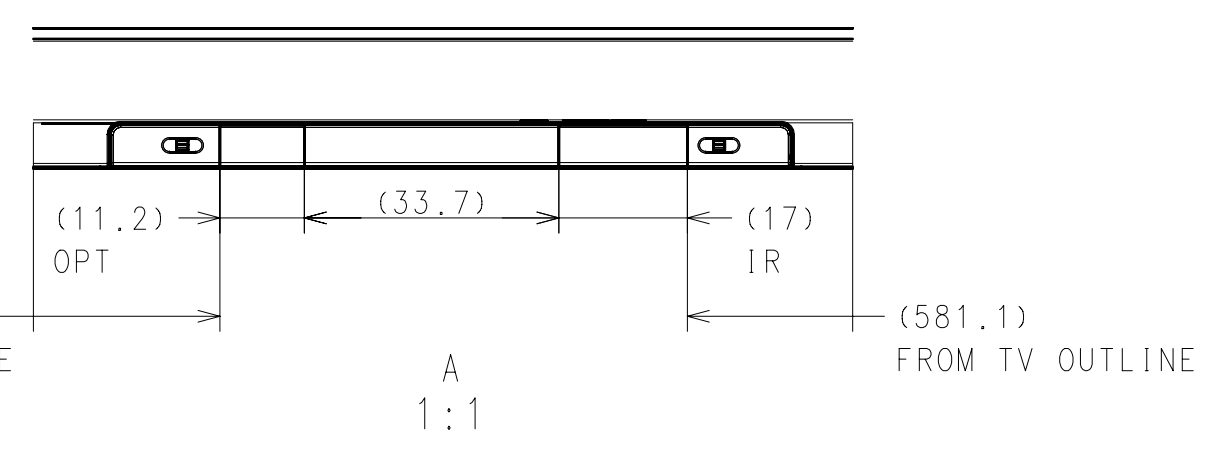


DESCRIPTION 1	LEGAL OWNER	SCALE
55(X85L) EXTERIOR VIEW	Sony Corporation	1:1
DESCRIPTION 2	PART NO.	SHEET/PAGES
55(X85L) EXTERIOR VIEW		2 / 5

WITHOUT STAND



FOR GENERAL AREA/CHINA



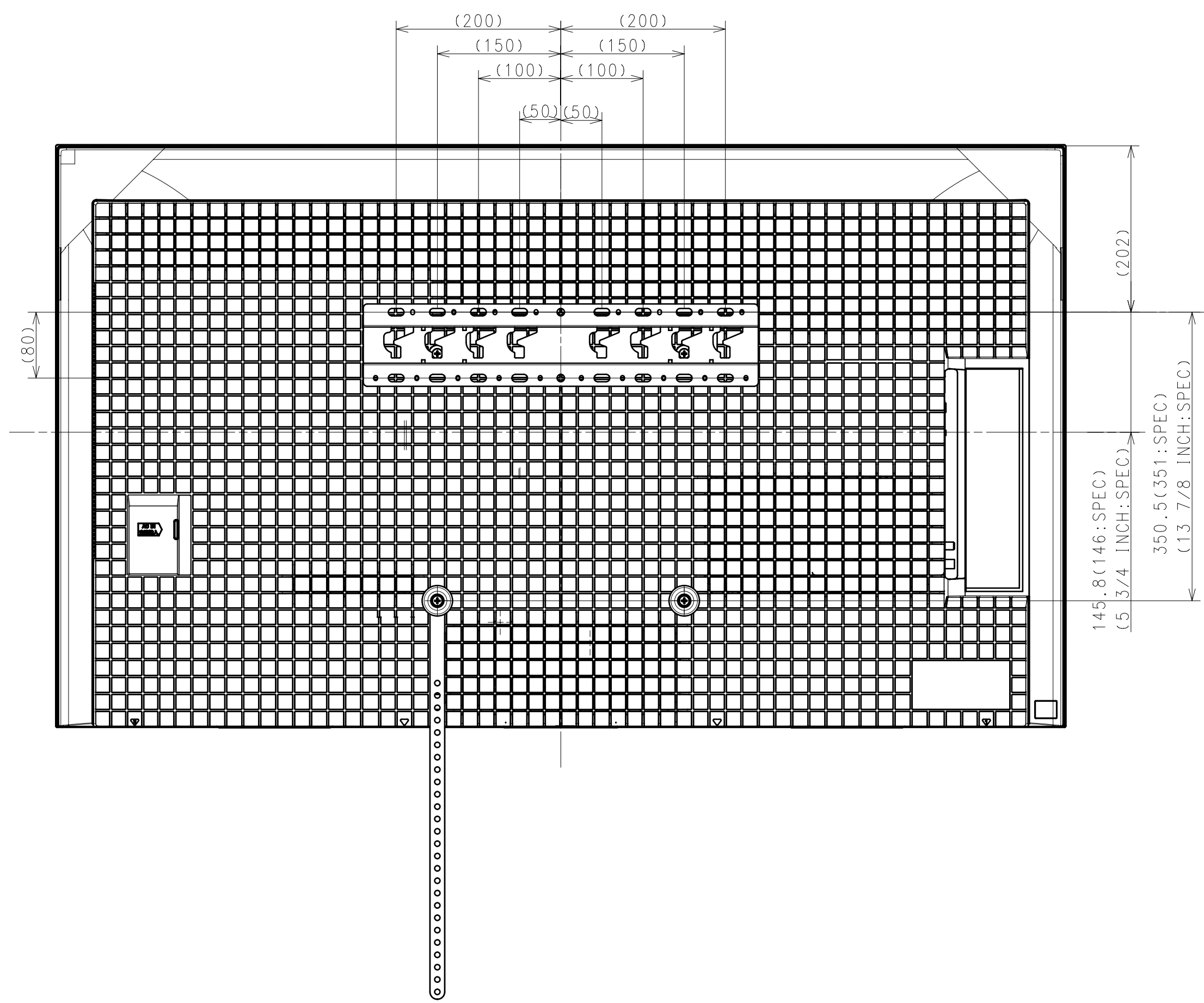
FOR EUROPE

DESCRIPTION 1	LEGAL OWNER	SCALE
55(X85L) EXTERIOR VIEW	Sony Corporation	1:1
DESCRIPTION 2	PART NO.	SHEET/PAGES
55(X85L) EXTERIOR VIEW		3 / 5

SU-WL450

STANDARD

SLIM

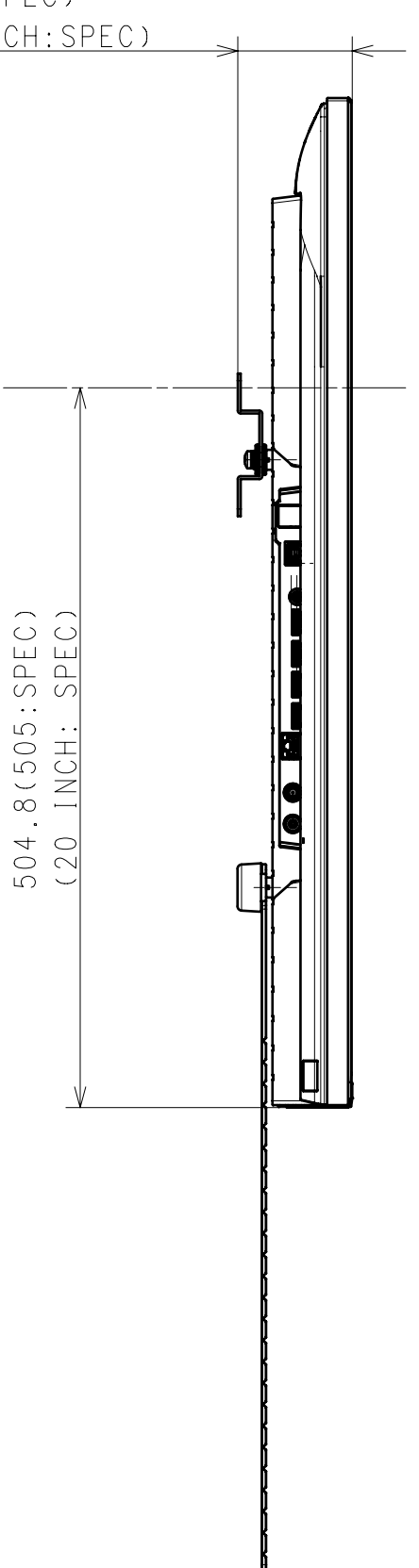
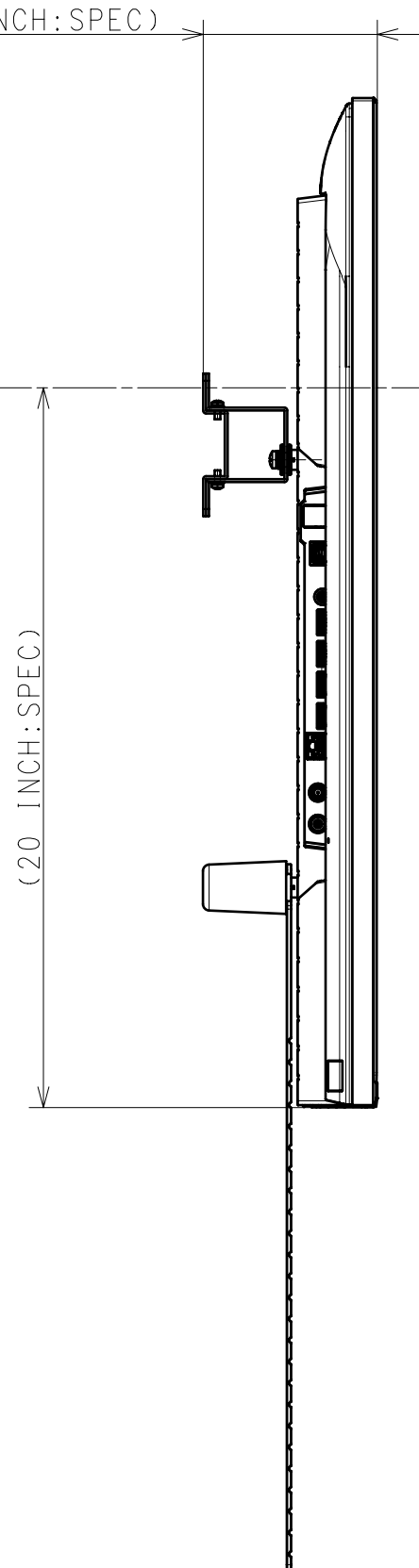


122 (122:SPEC)
(4 7/8 INCH:SPEC)

80.2 (81:SPEC)
(3 1/4 INCH:SPEC)

504.8 (505:SPEC)
(20 INCH:SPEC)

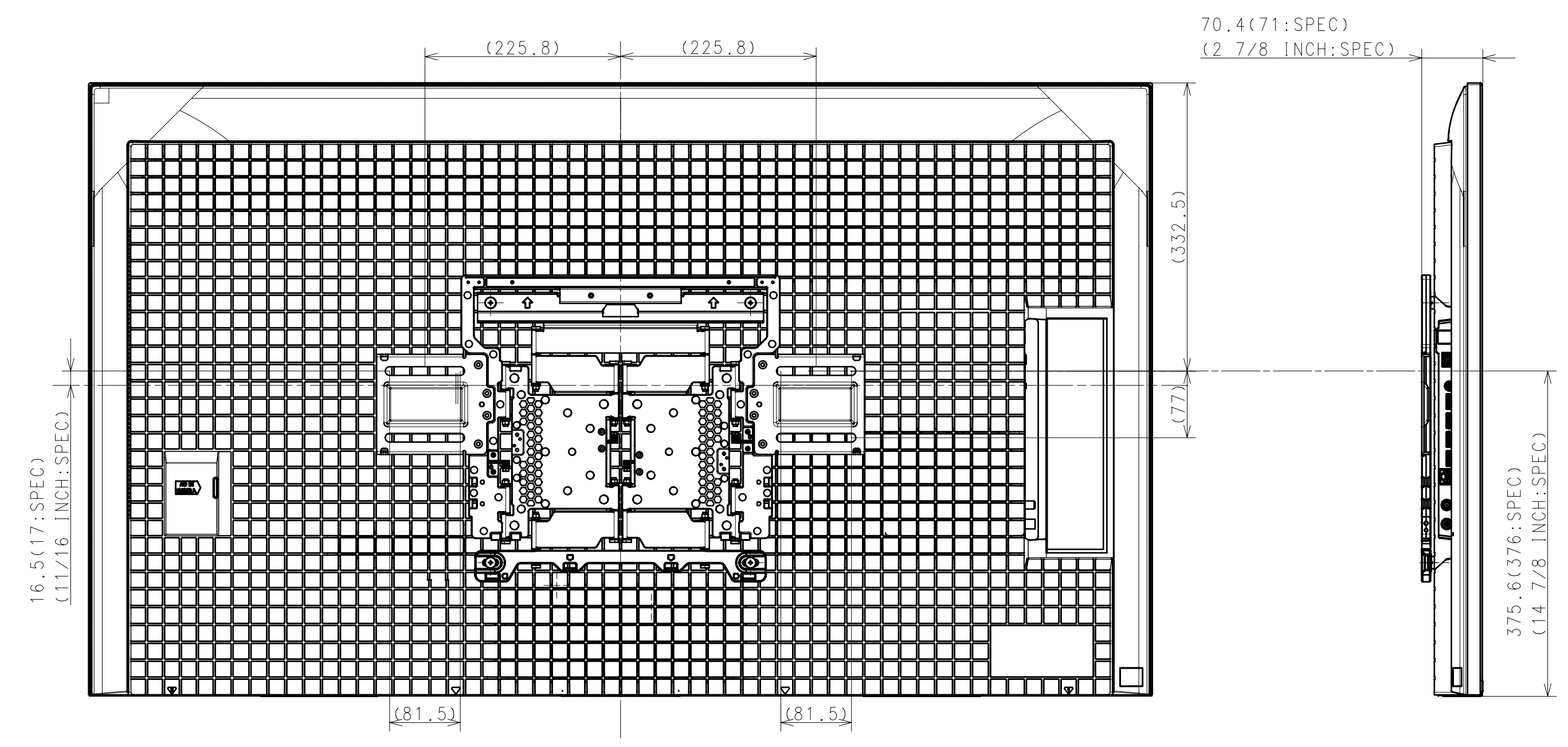
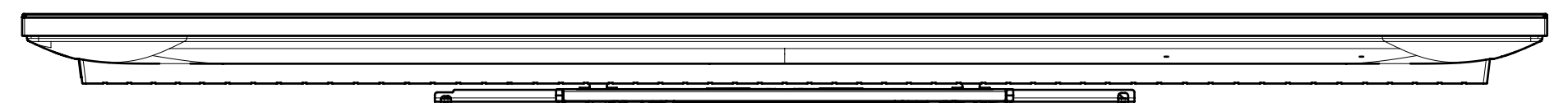
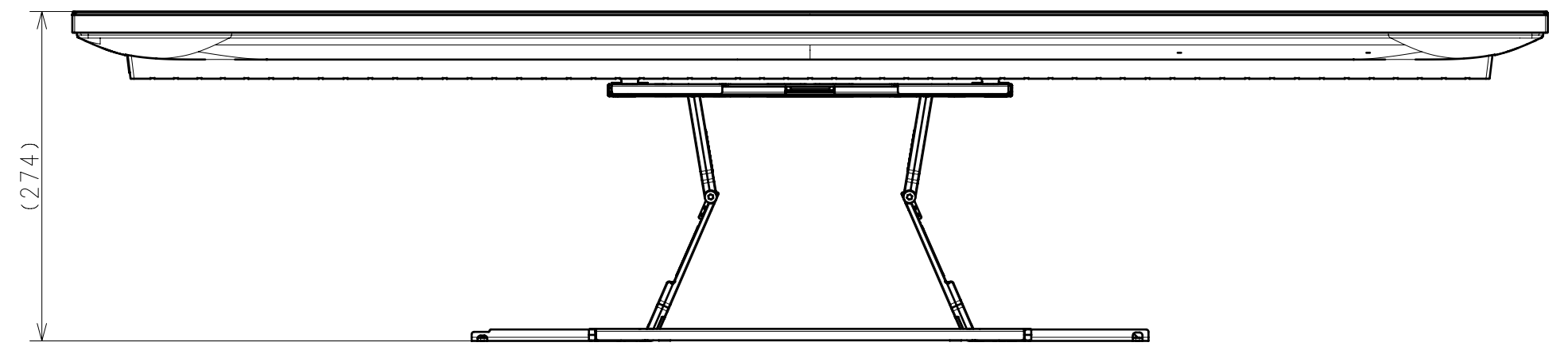
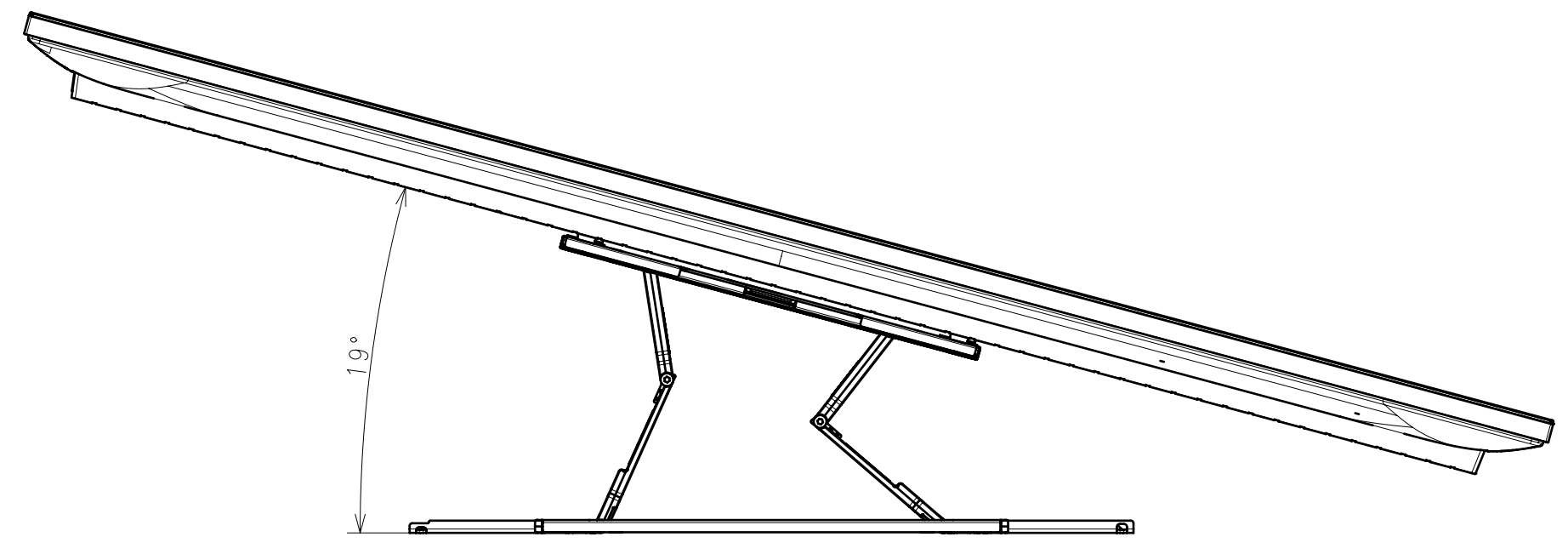
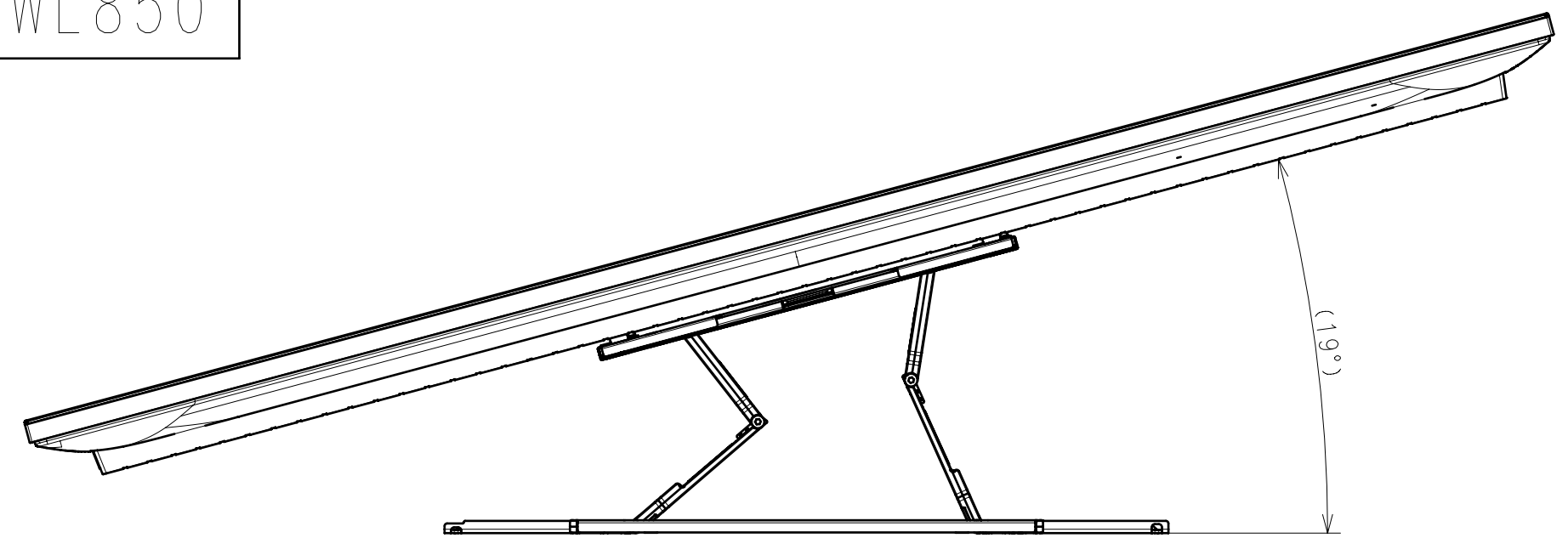
504.8 (505:SPEC)
(20 INCH:SPEC)



SONY STANDARD
DRAWING

DESCRIPTION 1	LEGAL OWNER	SCALE
55(X85L) EXTERIOR VIEW	Sony Corporation	1:1
DESCRIPTION 2	PART NO.	SHEET/PAGES
55(X85L) EXTERIOR VIEW		4 / 5

SU-WL850



DESCRIPTION 1	LEGAL OWNER	SCALE
55(X85L) EXTERIOR VIEW	Sony Corporation	1:1
DESCRIPTION 2	PART NO.	SHEET/PAGES
55(X85L) EXTERIOR VIEW		5 / 5