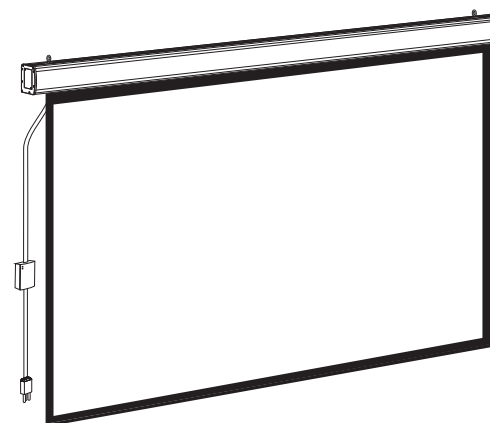




Instruction Manual large size Motorized Screen



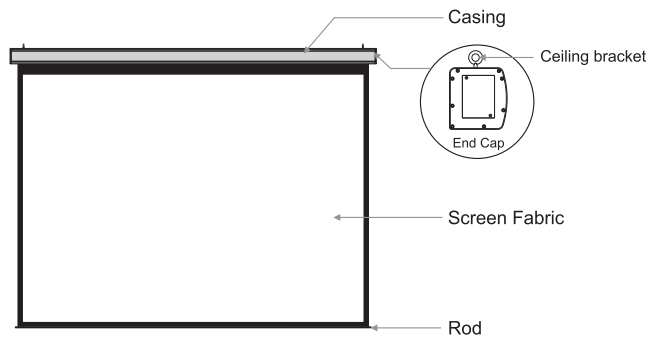
Thank you for purchasing a sapphire projection screen.
Before use, please read instructions carefully. After installation, store instructions for future reference.

Technical Assistance

If you need help with installing this screen please visit
www.sapphireav.com



Description



Accessories

■ $\varnothing 5$ Allen Key(1pc)

■ Instruction Manual(1pc)



Large Stage Motorized Screen Power Specifications

Voltage (V)	Frequency (Hz)	Watts (W)	Application
230V/120V/100V	50Hz/60Hz	270W	Applies to 250" and up motorized series

Warnings

- The ceiling used for fixture installation must be secure to prevent the screens from falling.
- While installing electrical motors, please hire professionals or your local dealer to ensure safety. A misconnection may lead to fire or leaks.
- Keep all infrared wireless products away from fluorescent lighting as it may cause malfunctions.
- Please read the following as any damage to the screen surface will affect the quality of the picture:
 1. Avoid contact or touching the screen surface as it may cause scratches or tears.
 2. Do not write or draw on the surface
 3. Clean the screen with a soft cloth and lukewarm water. Do not use any detergent or cleaning products.
- Roll up the screen after every use. Ensure that the screen is level when installing; do not pull on the sides or fold the screen.
- To prevent unnecessary damage, the operating and maintenance of the screen should be done by adults.



Ignoring the safety warnings may lead to injuries and/or damaging the product.



Fixtures should be installed in a secure place to avoid accidents or the screen falling.



Do not connect any electrical attachments or remote controls.



Roll up the screen after every use. Leaving it hanging for a long period of time may cause the fabric to loosen.



Please contact your local dealer for repairs or maintenance. Please contact our company if you have any further questions. Avoid taking apart the fixtures yourself. Loose parts may cause the screen to fall.



Refrain from hanging anything on the screen as it may cause the screen to fall.

Do not take apart and replace with unknown parts. If there are any problems, please contact your local dealer. Product specifications are subject to change.

Installation

This projection screen should be installed at the best possible viewing position for the audience. Take out all the parts from the packaging and follow the accessories guideline to ensure you have all parts. The parts needed will vary depending on which installation you choose to use.

1. The distance between the ceiling brackets could be adjusted according to mount situation, the ideal positions of the brackets are near the end caps as could be to low down the noise during operation.
2. Before mounting, be sure there is at least 1m from the left end cap to the according side wall, for changing the motor in case of problem with the motor.

Ceiling Mount

1. Push inside 2 $\varnothing 10$ screws with hook (not supplied), make sure they are fastened. (Figure1)

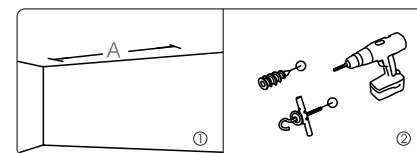


Figure1

2. Hang the screen on the hook, check if the hang is safe enough, make sure the screen will not drop down from the hooks. (Figure2)

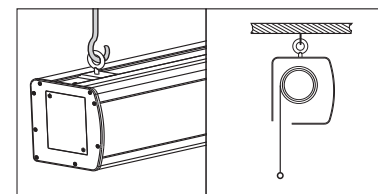


Figure2

Hidden installation

The screen can also be installed in the ceiling as shown below (Figure 3).

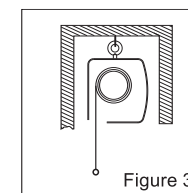


Figure 3

Motor Replacing

When replacing motor, drawing off the power plug of the screen. Then taking off the flant cover board after wring the screw from the board in the left end up. Wring the screw of the motor pulling rack, take out the broken motor. Then install the fresh motor and finished by tighten the screws of the pulling rack and flant cover board (Figure 4 - 5).

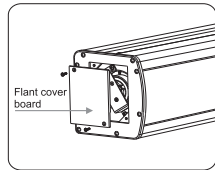


Figure 4

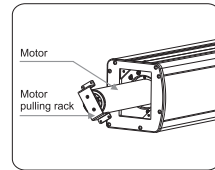
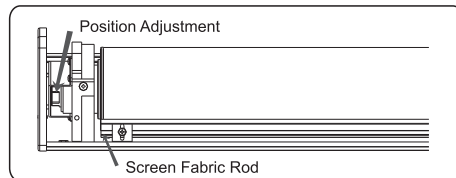


Figure 5

Motor Features



Position Adjustment

The adjustable motor allows you to position the top and bottom limits of the screen. This allows for greater flexibility depending on where the screen is installed. The factory default is set at the optimal level, please contact a professional to help with changing settings.

Screen Fabric Rod

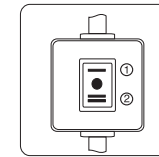
Larger screens utilize the rod to help the screen eliminate V-shape wrinkles. It also helps distribute the weight so that there is less pressure on the roller. The factory default is set at the optimal level, please contact a professional to help with changing settings.

Instructions

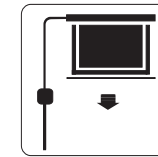
Sapphire projection screens are controlled by a manual switch or an automatic remote control.

1. Manual switch control

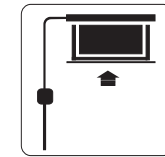
- Tear off the glue cloth fixed on the bottom rod, ensure the bottom rod is not stuck by the casing.
- Connect to a power source (Please make sure it is the right voltage)
- Turn the switch to position 2 to lower the screen; it will come down slowly. When it is all the way down, it will stop automatically.
- Turn the switch to position 1 to lower the screen; it will go up into the metal casing. When it is all the way up, it will stop automatically.
- To stop any time while the screen is in motion, turn the switch to 0.



Picture 1



Picture 2



Picture 3

2. Automatic remote control (Please see section on Remote Control)

To avoid overheating the motor, do not continually retract and lower the screen for over 4 minutes at a time. If the motor overheats, it will need a cool down time of 2 minutes. The motor does not need any lubricants. The drop and retract limit of the screen is factory preset to an optimal configuration. Please ask your local dealer or professional to adjust settings to avoid damaging the motor.

