

## Installation and Assembly: Portrait Spacer Kit

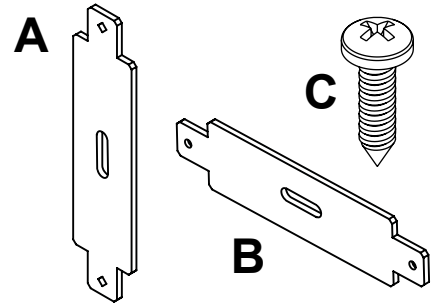
Model: DS-VWS0##-P

Before you begin, make sure all parts shown are included with your product.  
Parts may appear slightly different than illustrated.

### Parts List

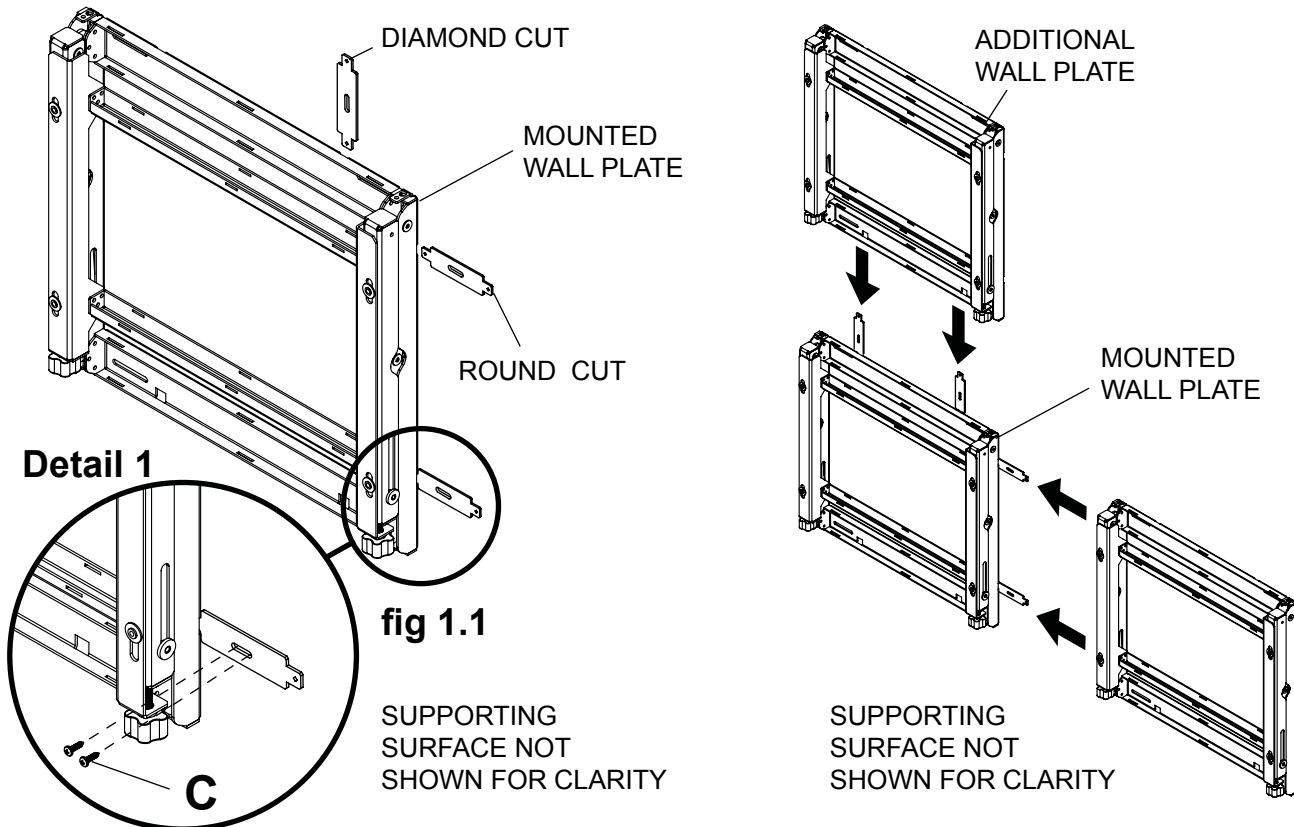
| Description              | Qty. | Part #              |
|--------------------------|------|---------------------|
| A vertical spacer        | 2    | See chart on page 2 |
| * B horizontal spacer    | 2    | See chart on page 2 |
| C #10 x 3/4" wood screws | 8    | 500-9006            |

\* Not included with some models



**NOTE:** Refer to main product instruction for wall plate installation. Vertical spacer (A) is identified by diamond cut.

**1** **NOTE:** If horizontal spacer (B) is not included, mounted wall plates should be touching horizontally. Slide spacers (A and B) into tab of mounted wall plate as shown in figure 1.1. Keeping spacers (A and B) flush up against wall plate fasten with two #10 x 3/4" wood screws (C) as shown in detail 1. There must be two spacers placed on the same side as the additional wall plate. Align the tabs of the additional wall plate flush with the spacers. Follow main instruction for proper installation of additional wall plates.



WALL PLATE ASSEMBLIES MAY BE DIFFERENT THAN ILLUSTRATED

| <b>CHART</b> |                   |                 |
|--------------|-------------------|-----------------|
| <b>MODEL</b> | <b>HORIZONTAL</b> | <b>VERTICAL</b> |
| DS-VWS004-P  | 145-1318          | 145-1293        |
| DS-VWS006-P  | 145-1319          | 145-1294        |
| DS-VWS007-P  | 145-1320          | 145-1295        |
| DS-VWS011-P  | 145-1321          | 145-1297        |
| DS-VWS012-P  | 145-1322          | 145-1298        |
| DS-VWS013-P  | 145-1323          | 145-1299        |
| DS-VWS014-P  | 145-1588          | 145-1589        |
| DS-VWS015-P  | 145-1329          | 145-1300        |
| DS-VWS016-P  | 145-1324          | 145-1301        |
| DS-VWS017-P  | -                 | 145-1302        |
| DS-VWS019-P  | 145-1326          | 145-1303        |
| DS-VWS020-P  | 145-1327          | 145-1304        |
| DS-VWS021-P  | 145-1328          | 145-1305        |
| DS-VWS022-P  | 145-1330          | 145-1306        |
| DS-VWS023-P  | 145-1331          | 145-1307        |
| DS-VWS024-P  | 145-1332          | 145-1308        |
| DS-VWS025-P  | 145-1333          | 145-1309        |
| DS-VWS026-P  | 145-1334          | 145-1310        |
| DS-VWS028-P  | 145-1335          | 145-1311        |
| DS-VWS029-P  | 145-1336          | 145-1312        |
| DS-VWS030-P  | 145-1337          | 145-1313        |
| DS-VWS031-P  | 145-1338          | 145-1314        |
| DS-VWS033-P  | 145-1339          | 145-1315        |
| DS-VWS037-P  | 145-1340          | 145-1316        |
| DS-VWS038-P  | 145-1426          | 145-1427        |
| DS-VWS039-P  | 145-1392          | 145-1393        |
| DS-VWS040-P  | 145-1441          | 145-1442        |
| DS-VWS042-P  | 145-1401          | 145-1402        |
| DS-VWS043-P  | 145-1373          | 145-1374        |
| DS-VWS044-P  | 145-1375          | 145-1376        |
| DS-VWS045-P  | 145-1405          | 145-1406        |
| DS-VWS046-P  | 145-1472          | 145-1473        |
| DS-VWS049-P  | 145-1493          | 145-1494        |
| DS-VWS050-P  | 145-1445          | 145-1446        |
| DS-VWS052-P  | 145-1413          | 145-1414        |
| DS-VWS053-P  | 145-1417          | 145-1418        |
| DS-VWS056-P  | 145-1437          | 145-1438        |
| DS-VWS060-P  | 145-1476          | 145-1477        |
| DS-VWS061-P  | 145-1480          | 145-1481        |
| DS-VWS062-P  | 145-1486          | 145-1487        |
| DS-VWS063-P  | 145-1497          | 145-1498        |
| DS-VWS064-P  | 145-1501          | 145-1502        |
| DS-VWS066-P  | 145-1659          | 145-1660        |
| DS-VWS090-P  | 146-1617          | 146-1616        |
| DS-VWS091-P  | 146-1973          | 146-1974        |
| DS-VWS092-P  | 146-1857          | 146-1856        |

## NUMBER OF SPACER KITS REQUIRED

Number of Horizontal Screens

| Number of Vertical Screens | Number of Horizontal Screens |    |    |    |    |    |    |    |    |    |  |
|----------------------------|------------------------------|----|----|----|----|----|----|----|----|----|--|
|                            | 1                            | 2  | 3  | 4  | 5  | 6  | 7  | 8  | 9  | 10 |  |
| 1                          | 0                            | 1  | 2  | 3  | 4  | 5  | 6  | 7  | 8  | 9  |  |
| 2                          | 1                            | 2  | 4  | 6  | 8  | 10 | 12 | 14 | 16 | 18 |  |
| 3                          | 2                            | 4  | 6  | 9  | 12 | 15 | 18 | 21 | 24 | 27 |  |
| 4                          | 3                            | 6  | 9  | 12 | 16 | 20 | 24 | 28 | 32 | 36 |  |
| 5                          | 4                            | 8  | 12 | 16 | 20 | 25 | 30 | 35 | 40 | 45 |  |
| 6                          | 5                            | 10 | 15 | 20 | 25 | 30 | 36 | 42 | 48 | 54 |  |
| 7                          | 6                            | 12 | 18 | 24 | 30 | 36 | 42 | 49 | 56 | 63 |  |
| 8                          | 7                            | 14 | 21 | 28 | 35 | 42 | 49 | 56 | 64 | 72 |  |
| 9                          | 8                            | 16 | 24 | 32 | 40 | 48 | 56 | 64 | 72 | 81 |  |
| 10                         | 9                            | 18 | 27 | 36 | 45 | 54 | 63 | 72 | 81 | 90 |  |