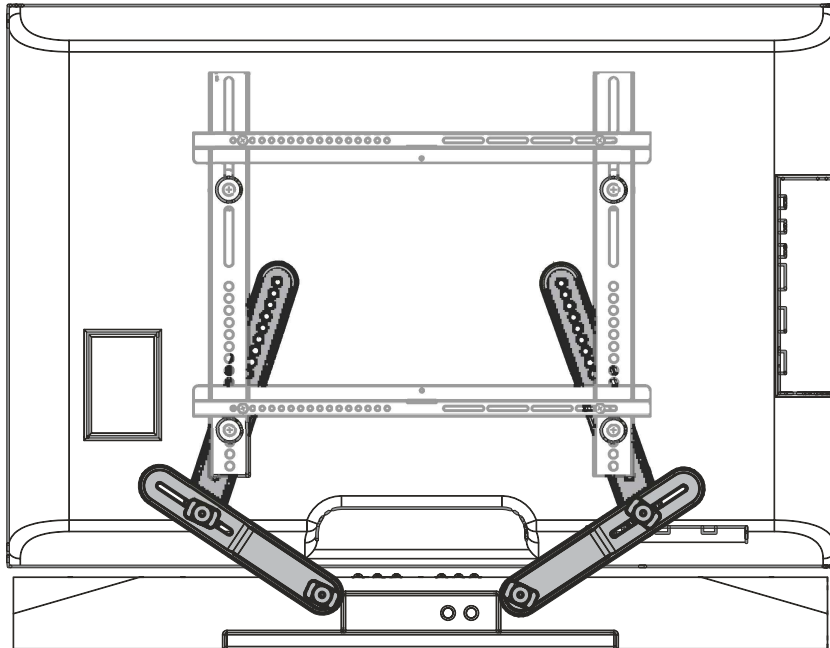

INSTALLATION INSTRUCTIONS



Universal Soundbar Mount

DISCLAIMER

Legrand | AV and its affiliated corporations and subsidiaries (collectively "Legrand | AV"), intend to make this manual accurate and complete. However, Legrand | AV makes no claim that the information contained herein covers all details, conditions or variations, nor does it provide for every possible contingency in connection with the installation or use of this product. The information contained in this document is subject to change without notice or obligation of any kind. Legrand | AV makes no representation of warranty, expressed or implied, regarding the information contained herein. Legrand | AV assumes no responsibility for accuracy, completeness or sufficiency of the information contained in this document.

Chief® is a registered trademark of Legrand AV Inc.

DEFINITIONS

MOUNTING SYSTEM: A MOUNTING SYSTEM is the primary Chief product to which an accessory and/or component is attached.

ACCESSORY: AN ACCESSORY is the secondary Chief product which is attached to a primary Chief product, and may have a component attached or setting on it.

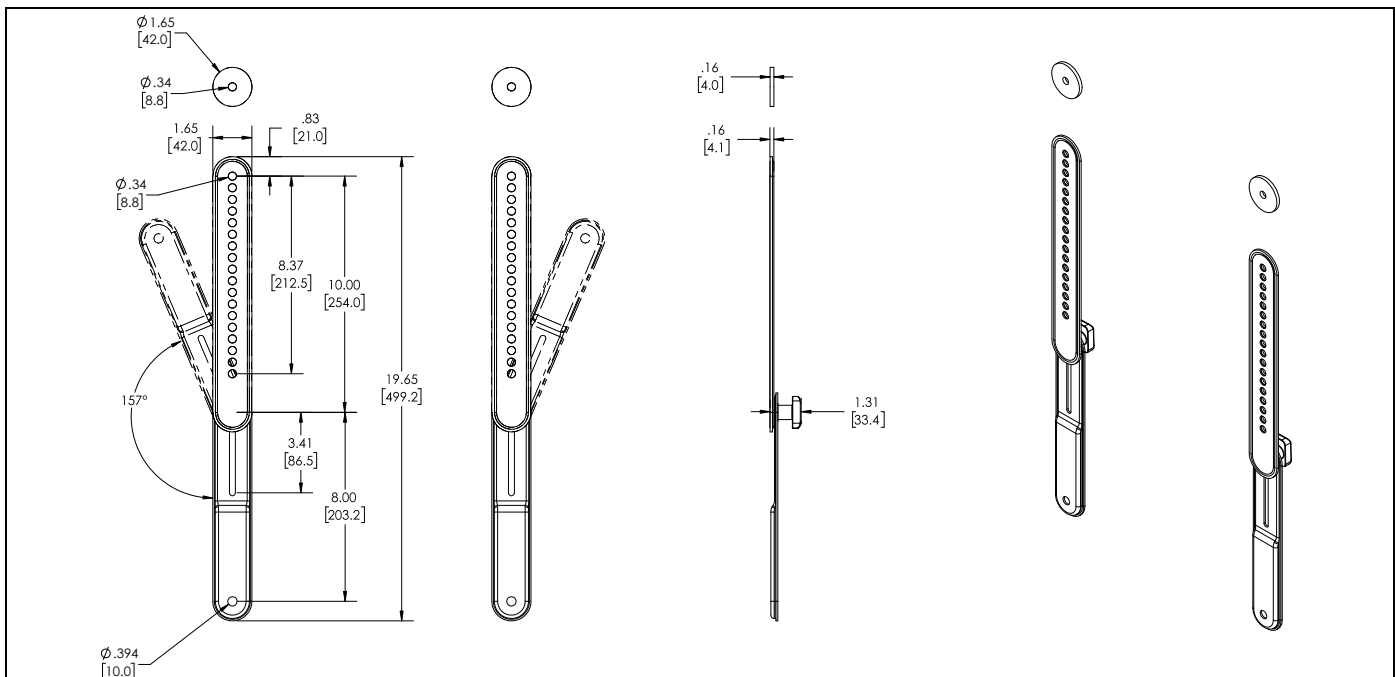
COMPONENT: A COMPONENT is an audiovisual item designed to be attached or resting on an accessory or mounting system such as a video camera, CPU, screen, display, projector, etc.

WARNING: A WARNING alerts you to the possibility of serious injury or death if you do not follow the instructions.

CAUTION: A CAUTION alerts you to the possibility of damage or destruction of equipment if you do not follow the corresponding instructions.

WARNING: Do not use this accessory outdoors.

DIMENSIONS



! IMPORTANT SAFETY INSTRUCTIONS

WARNING: Failure to read, thoroughly understand, and follow all instructions can result in serious personal injury, damage to equipment, or voiding of factory warranty! It is the installer's responsibility to make sure all accessories are properly assembled and installed using the instructions provided.

WARNING: Failure to provide adequate structural strength for this accessory can result in serious personal injury or damage to equipment! It is the installer's responsibility to make sure the structure to which this accessory is attached can support five times the combined weight of all equipment. Reinforce the structure as required before installing the accessory.

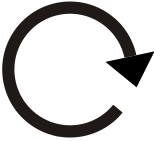

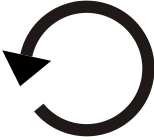









WARNING: Exceeding the weight capacity can result in serious personal injury or damage to equipment! It is the installer's responsibility to make sure the combined weight of all components attached to accessory does not exceed 15 lbs (6.8 kg).

WARNING: Use this accessory only for its intended use as described in these instructions. Do not use attachments not recommended by the manufacturer.

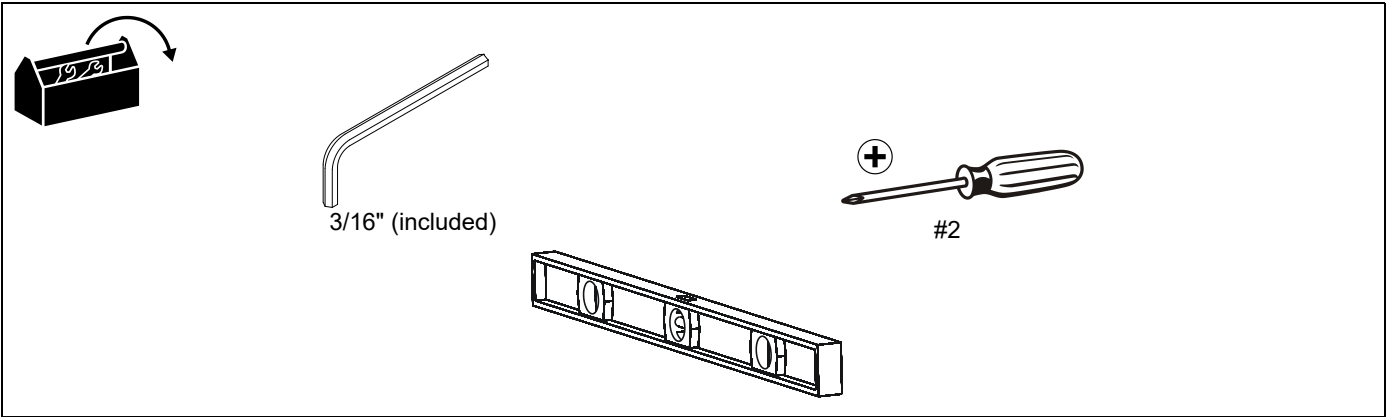
WARNING: Never operate this accessory if it is damaged. Return the accessory to a service center for examination and repair.

--SAVE THESE INSTRUCTIONS--

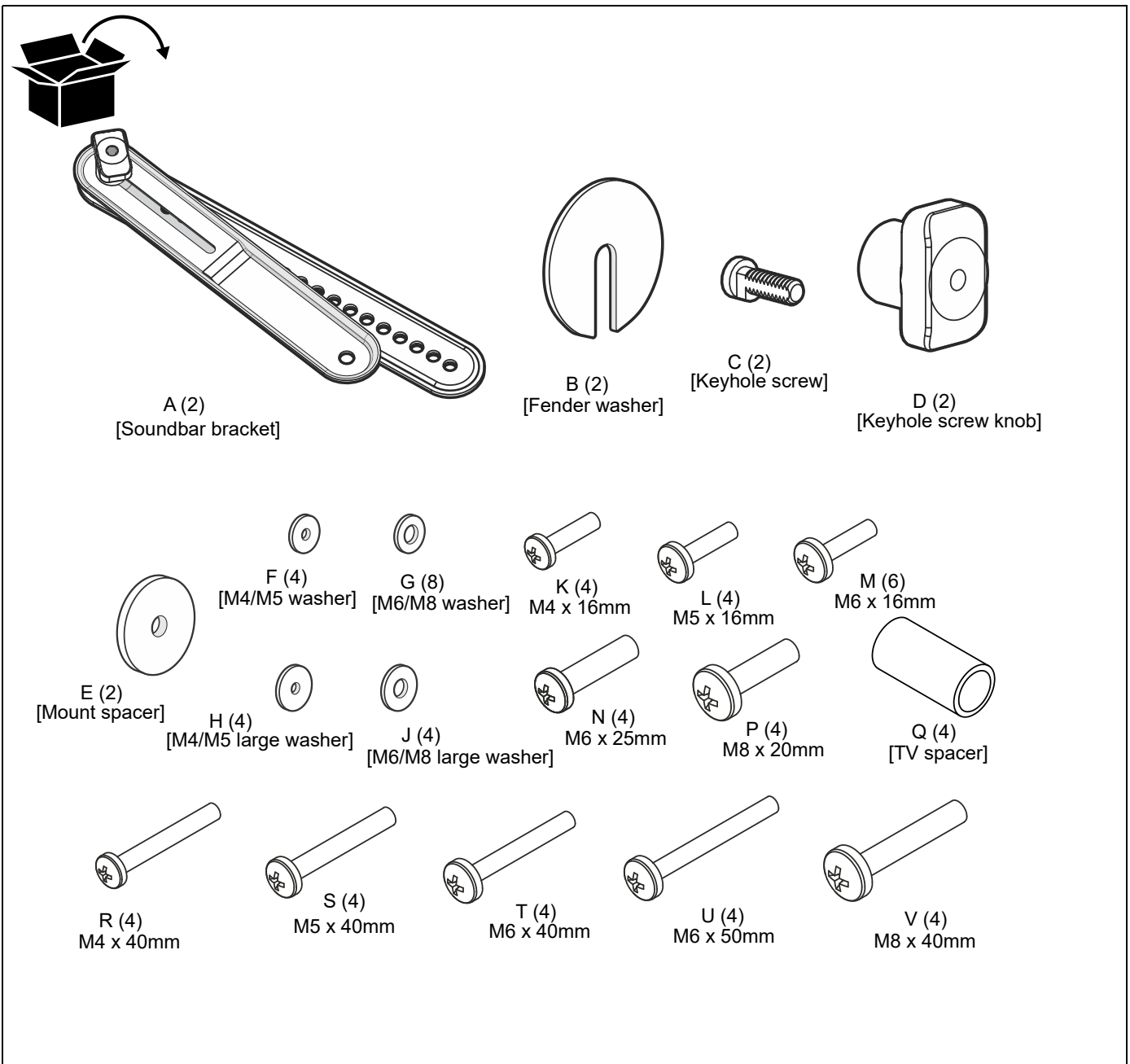
LEGEND

	<p>Tighten Fastener</p> <p>Apretar elemento de fijación</p> <p>Befestigungsteil festziehen</p> <p>Apertar fixador</p> <p>Serrare il fissaggio</p> <p>Bevestiging vastdraaien</p> <p>Serrez les fixations</p>		<p>Pencil Mark</p> <p>Marcar con lápiz</p> <p>Stiftmarkierung</p> <p>Marcar com lápis</p> <p>Segno a matita</p> <p>Potloodmerkten</p> <p>Marquage au crayon</p>
	<p>Loosen Fastener</p> <p>Aflojar elemento de fijación</p> <p>Befestigungsteil lösen</p> <p>Desapertar fixador</p> <p>Allentare il fissaggio</p> <p>Bevestiging losdraaien</p> <p>Desserrez les fixations</p>		<p>Drill Hole</p> <p>Perforar</p> <p>Bohrloch</p> <p>Fazer furo</p> <p>Praticare un foro</p> <p>Gat boren</p> <p>Percez un trou</p>
	<p>Phillips Screwdriver</p> <p>Destornillador Phillips</p> <p>Kreuzschlitzschraubendreher</p> <p>Chave de fendas Phillips</p> <p>Cacciavite a stella</p> <p>Kruiskopschroevendraaier</p> <p>Tournevis à pointe cruciforme</p>		<p>Adjust</p> <p>Ajustar</p> <p>Einstellen</p> <p>Ajustar</p> <p>Regolare</p> <p>Afstellen</p> <p>Ajuster</p>
	<p>Open-Ended Wrench</p> <p>Llave de boca</p> <p>Gabelschlüssel</p> <p>Chave de bocas</p> <p>Chiave a punte aperte</p> <p>Steeksleutel</p> <p>Clé à fourche</p>		<p>Remove</p> <p>Quitar</p> <p>Entfernen</p> <p>Remover</p> <p>Rimuovere</p> <p>Verwijderen</p> <p>Retirez</p>
	<p>By Hand</p> <p>A mano</p> <p>Von Hand</p> <p>Com a mão</p> <p>A mano</p> <p>Met de hand</p> <p>À la main</p>		<p>Optional</p> <p>Opcional</p> <p>Optional</p> <p>Opcional</p> <p>Opzionale</p> <p>Optie</p> <p>En option</p>
	<p>Hex-Head Wrench</p> <p>Llave de cabeza hexagonal</p> <p>Sechskantschlüssel</p> <p>Chave de cabeça sextavada</p> <p>Chiave esagonale</p> <p>Zeskantsleutel</p> <p>Clé à tête hexagonale</p>		<p>Security Wrench</p> <p>Llave de seguridad</p> <p>Sicherheitsschlüssel</p> <p>Chave de segurança</p> <p>Chiave di sicurezza</p> <p>Veiligheidsleutel</p> <p>Clé de sécurité</p>

TOOLS REQUIRED FOR INSTALLATION



PARTS



Assembly And Installation

Secure Brackets onto Soundbar

- Look at the mounting holes on the back of soundbar to determine install method. (See Figure 1)
 - Option A: Rivets with a manufacturer's supplied hanger bracket
 - Option B: Keyhole slots
 - Option C: Threaded inserts

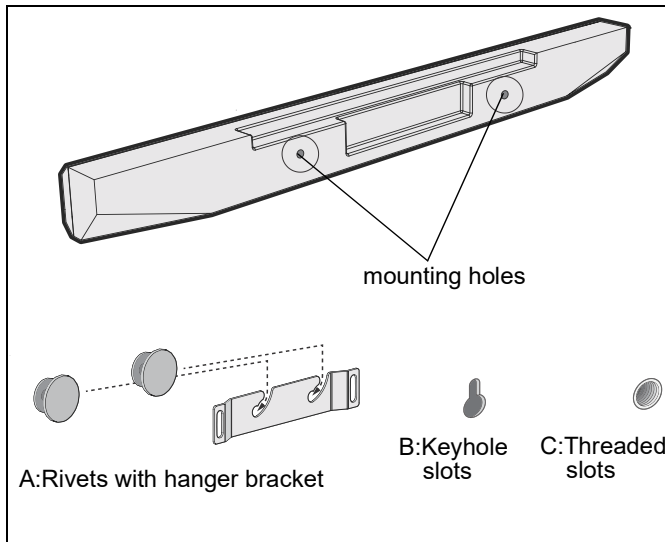


Figure 1

Option A

- Attach two soundbar brackets (A) to soundbar's hanger bracket with two knobs (D) and two keyhole screws (C). (See Figure 2)

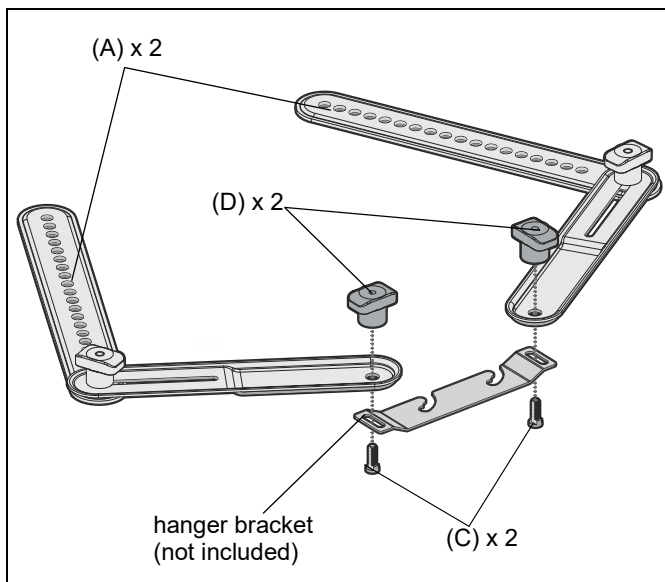


Figure 2

Option B

- Assemble knobs (D) and keyhole screws (C). (See Figure 3)
- Attach the soundbar brackets (A) to soundbar using the knob assemblies. (See Figure 3)

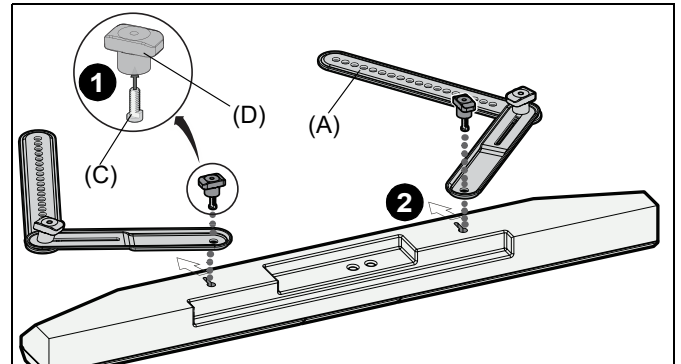


Figure 3

IMPORTANT ! : If needed, use fender washers (B) under soundbar bracket (A) to rest flat onto the soundbar surface. (See Figure 4)

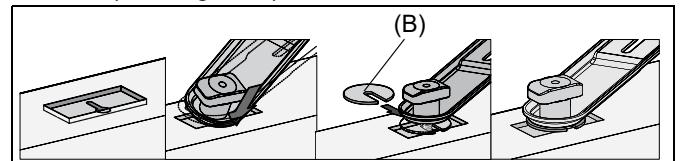


Figure 4

Option C

- Attach the soundbar brackets (A) to soundbar using two screws (K, L or M) and two washers (F or G). (See Figure 5)

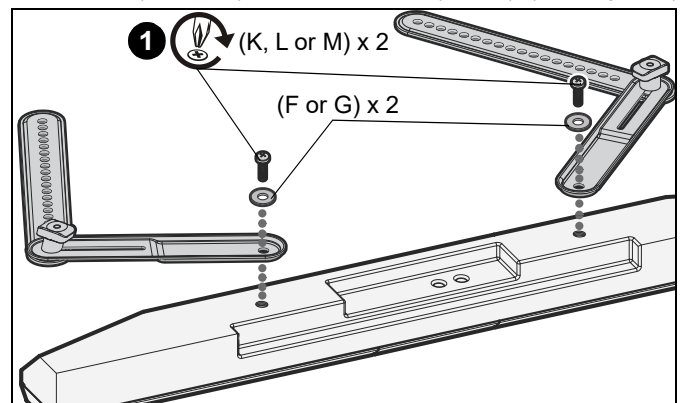


Figure 5

IMPORTANT ! : If needed, use fender washers (B) under soundbar bracket (A) to rest flat onto the soundbar surface. (See Figure 6)

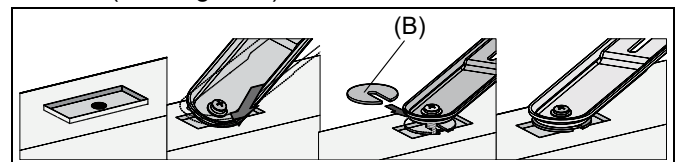


Figure 6

Install Soundbar Bracket to TV Mount



CAUTION: Refer to mounting system's installation instructions to remove display and uninstall mount from display.

1. If already mounted, remove display from wall.
2. If already installed, uninstall mounting bracket display.
3. Determine which screw diameter fits your display - M4, M5, M6 or M8.
 - For displays with a rounded/irregular/obstructed back, longer screws (R, S, T, U or V) and TV spacers (Q) must be used. (See Figure 7)



CAUTION: Verify adequate thread engagement with your screw/washer/spacer combination and all brackets.

IMPORTANT ! : To offset the shift in height of your mounting system due to the soundbar brackets (A), mount spacers (E) must be used in the top hole locations. (See Figure 7)

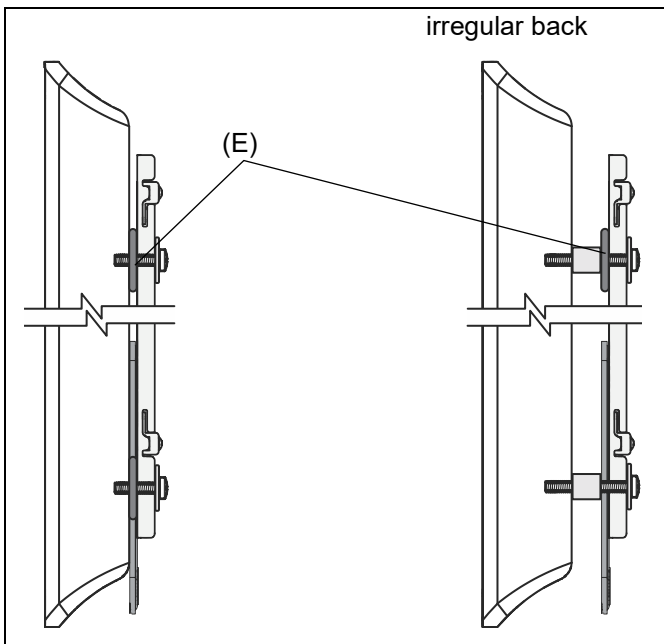


Figure 7

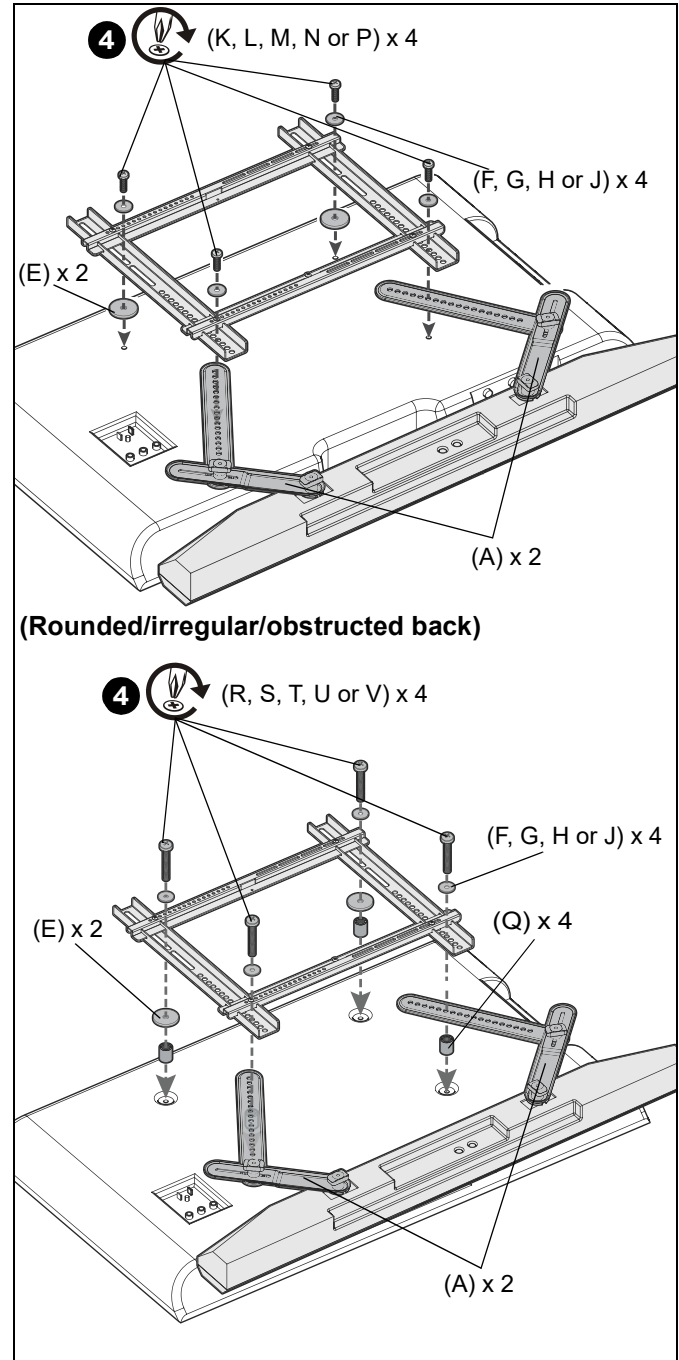


Figure 8

4. Use four selected screws (K, L, M, N, P, R, S, T, U or V), four washers (F, G, H or J), two mount spacers (E) and TV spacers (Q) (if necessary) to secure mounting system and soundbar brackets (A) to back of display. (See Figure 8)

IMPORTANT ! : Larger washers (H or J) must be used unless they do not fit the TV bracket.

IMPORTANT ! : Soundbar MUST NOT be mounted above the display.

NOTE: Mounting system shown in Figure 8 is an example. Exact mounting configuration will vary based on mounting system.

Adjustments

1. Adjust both arms of soundbar brackets (A) until soundbar is in desired position. (See Figure 9)

NOTE: Repositioning the hole locations in the soundbar brackets (A) may be necessary to reach desired position.

IMPORTANT ! : The final position of the soundbar must be within 2" (51 mm) of the display.

NOTE: When positioning the soundbar, make sure the control buttons on soundbar are accessible.

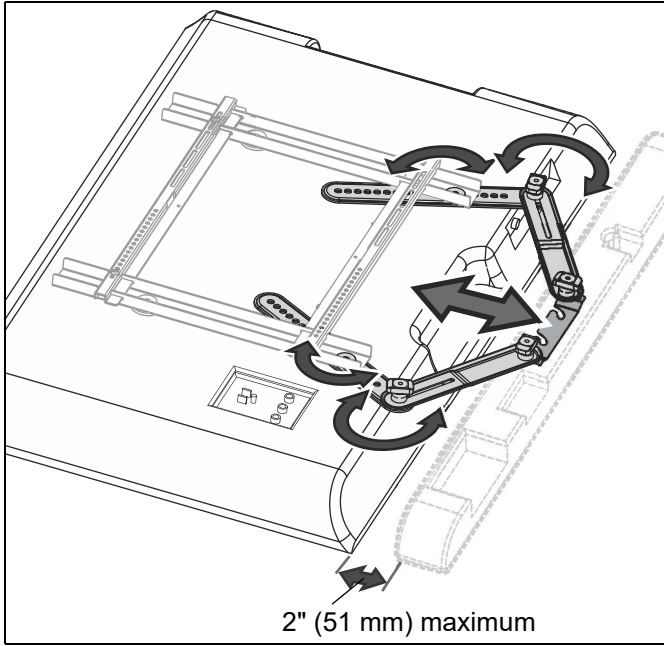


Figure 9



CAUTION: The middle connection of soundbar brackets (A) must not extend beyond the edge of the display. (See Figure 10)

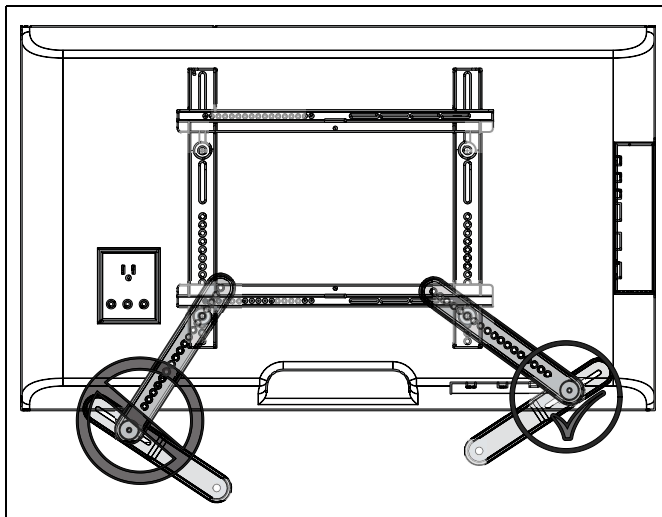


Figure 10

NOTE: The soundbar brackets (A) should be positioned as vertically as possible. (See Figure 11)

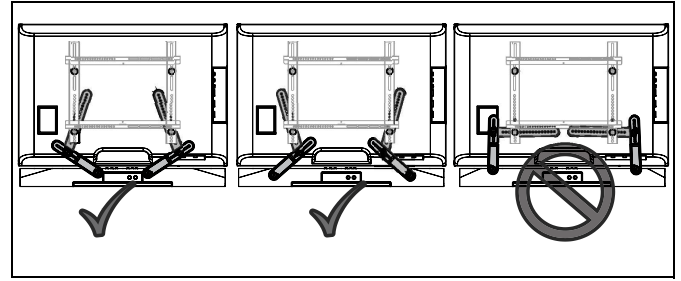


Figure 11

2. After the soundbar is in the desired position, tighten all screw and knob connections. (See Figure 12)

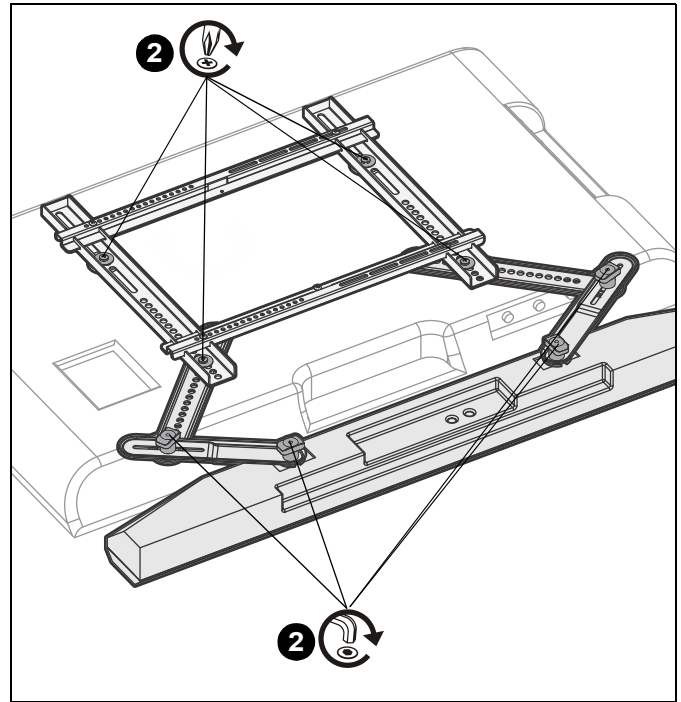


Figure 12

3. Install display to mounting system following mounting system's installation instructions.



A brand of  **legrand**

8800-003296 Rev02
©2021 Legrand | AV
www.legrandav.com
09/2021

USA/International	A 6436 City West Parkway, Eden Prairie, MN 55344 P 800.582.6480 / 952.225.6000 F 877.894.6918 / 952.894.6918
Europe	A Franklinstraat 14, 6003 DK Weert, Netherlands P +31 (0) 495 580 852 F +31 (0) 495 580 845
Asia Pacific	A Office No. 918 on 9/F, Shatin Galleria 18-24 Shan Mei Street Fotan, Shatin, Hong Kong P 852 2145 4099 F 852 2145 4477

