

NOTES:

1. INSTALLATION SHALL COMPLY WITH ALL APPLICABLE NATIONAL, STATE AND LOCAL ELECTRICAL REGULATIONS.
2. REFER TO PRODUCT DOCUMENTATION FOR ADDITIONAL DETAILS PRIOR TO INSTALLATION AND SITE PREPARATION WORK.
3. ALL DIMENSIONS ARE IN MILLIMETERS [INCHES].
- △ 4. FRONT AND REAR ACCESS REQUIRED FOR SERVICE. MINIMUM REQUIRED FRONT/REAR CLEARANCE IS 36.0 [914].
5. NET WEIGHT OF THE EMPTY UNIT IS 76.4 kg [168.4 lb].
6. LOADING CAPACITY:
 - a) STATIC LOAD: 1200kg [2645.5 lb].
 - b) DYNAMIC LOAD: 600kg [1322.7 lb].
7. TOP AND BOTTOM CABLE ENTRY USING APPROPRIATE CUSTOMER PROVIDED SOLUTION.
8. COLOR: BLACK.

THIS DRAWING AND SPECIFICATIONS HEREIN ARE THE PROPERTY OF SCHNEIDER ELECTRIC AND SHALL NOT BE COPIED, REPRODUCED OR USED IN WHOLE OR IN PART, AS THE BASIS FOR THE MANUFACTURE OR SALE OF ITEMS WITHOUT WRITTEN PERMISSION FROM SCHNEIDER ELECTRIC. THIS DRAWING IS BASED UPON LATEST AVAILABLE INFORMATION AND IS SUBJECT TO CHANGE WITHOUT NOTICE.

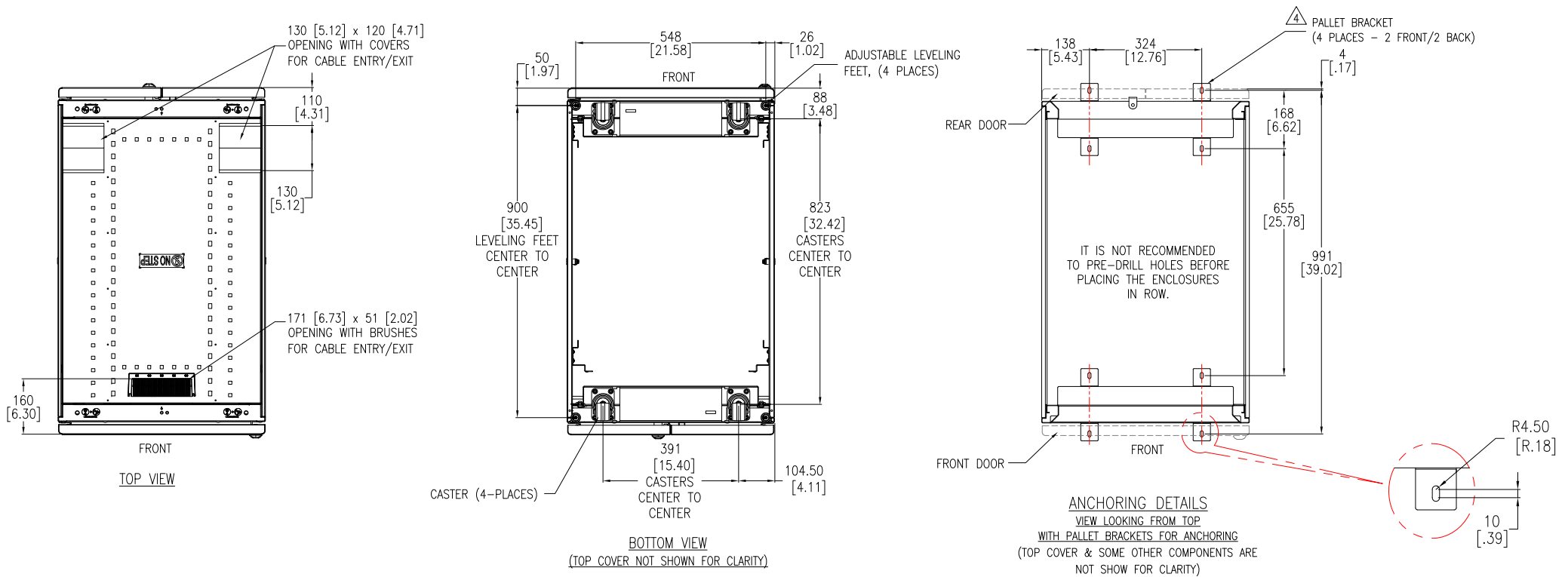


TITLE: Easy RACK 42U
600mm W x 1000mm D w/o Side panels
GENERAL ARRANGEMENT

DWG NO:	ER6200	REV:	0
DRAWN BY:	JAYAPRAKASH	DATE:	26-APR-21
ENGINEER:	Wenjuan JIA/Xiaoying ZENG	DATE:	27-APR-21
APPROVED BY:	Dazhang-Ivan SHI	DATE:	27-APR-21

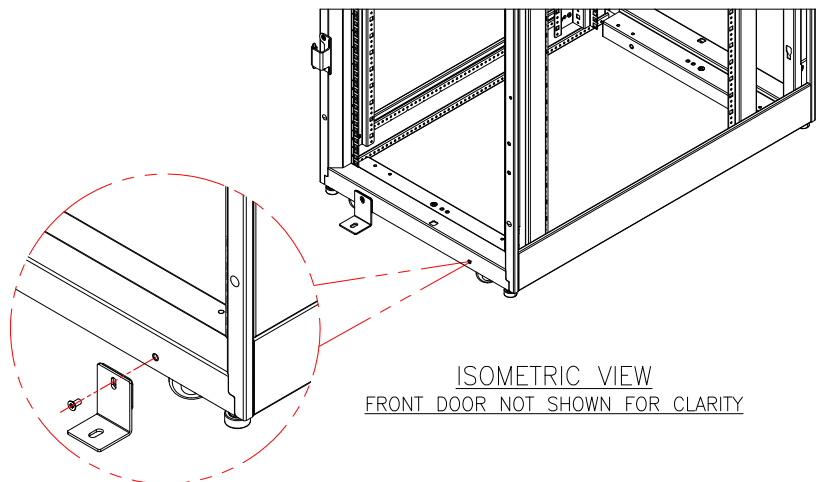
PROJECT: SUBMITTAL DRAWINGS SHEET 1 OF 3

FIRST ANGLE PROJECTION



STABILIZING THE ENCLOSURE:

TO PREVENT THE ENCLOSURE FROM MOVING FROM ITS FINAL LOCATION (IF NOT JOINED WITH ANOTHER COMPONENT, USE PALLET/ANCHORING BRACKET) ATTACH THE PALLET/ANCHORING BRACKETS TO THE ENCLOSURE AS SHOWN. USE CODE COMPLIANT FASTENERS TO SECURE THE ENCLOSURE TO THE FLOOR.



(4 PLACES - 2-FRONT/2-BACK)
 ENLARGED VIEW

NOTES:

1. INSTALLATION SHALL COMPLY WITH ALL APPLICABLE NATIONAL, STATE AND LOCAL ELECTRICAL REGULATIONS.
2. REFER TO PRODUCT DOCUMENTATION FOR ADDITIONAL DETAILS PRIOR TO INSTALLATION AND SITE PREPARATION WORK.
3. ALL DIMENSIONS ARE IN MILLIMETERS [INCHES].
- △ 4. PALLET/ANCHORING BRACKETS ARE PROVIDED WITH THE ENCLOSURE AND ARE SECURED TO THE ENCLOSURE AND PALLET FOR SHIPMENT. RETAIN THE PALLET BRACKETS FROM SHIPMENT. THESE BRACKETS ARE USED TO ANCHOR THE ENCLOSURE ONCE INSTALLED. PALLET/ANCHORING BRACKETS CAN BE INSTALLED EITHER INSIDE OR OUTSIDE THE EASY RACK WITH TWO AT FRONT AND TWO IN BACK.

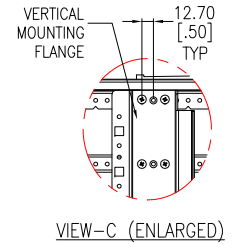
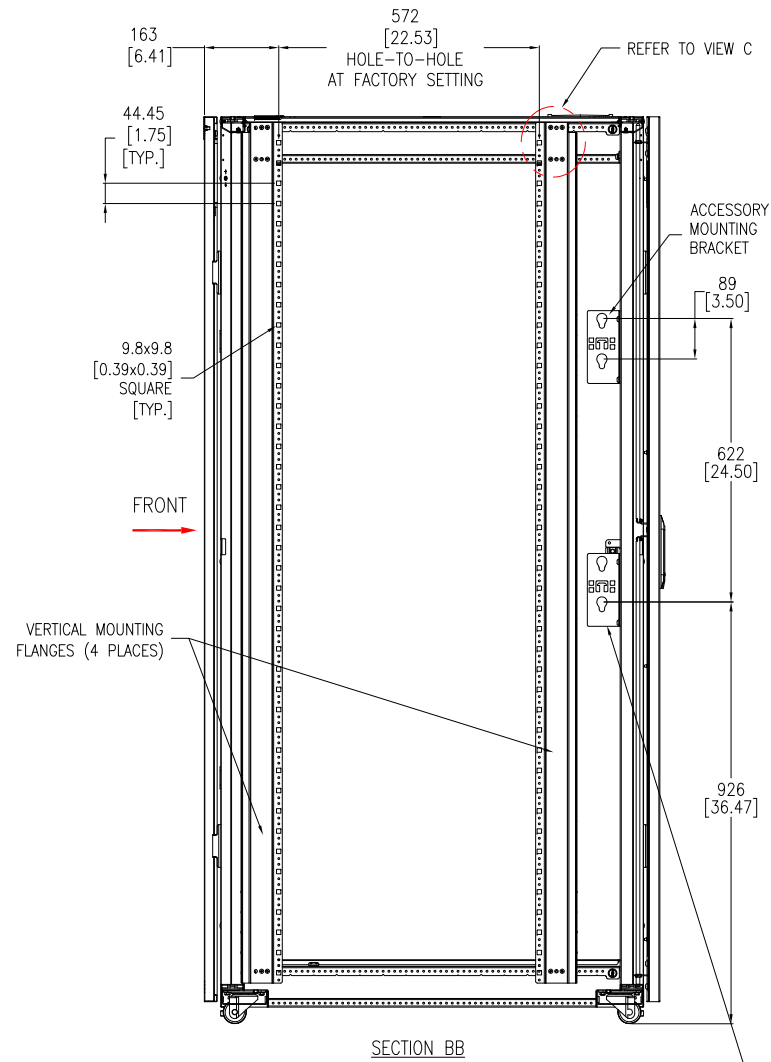
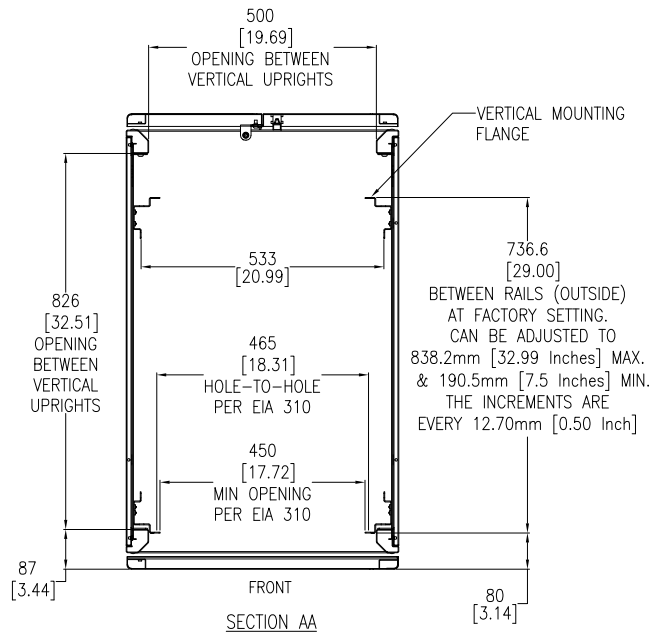
THIS DRAWING AND SPECIFICATIONS HEREIN ARE THE PROPERTY OF SCHNEIDER ELECTRIC AND SHALL NOT BE COPIED, REPRODUCED OR USED IN WHOLE OR IN PART, AS THE BASIS FOR THE MANUFACTURE OR SALE OF ITEMS WITHOUT WRITTEN PERMISSION FROM SCHNEIDER ELECTRIC. THIS DRAWING IS BASED UPON LATEST AVAILABLE INFORMATION AND IS SUBJECT TO CHANGE WITHOUT NOTICE.



TITLE: Easy RACK 42U
 600mm W x 1000mm D w/o Side panels
 TOP/BOTTOM & ANCHORING DETAILS

DWG NO:	ER6200	REV:	0
DRAWN BY:	JAYAPRAKASH	26-APR-21	FIRST
ENGINEER:	Wenjuan JIA/Xiaoying ZENG	27-APR-21	ANGLE
APPROVED BY:	Dazhang-Ivan SHI	27-APR-21	PROJECTION

PROJECT: SUBMITTAL DRAWINGS SHEET 2 OF 3



DEFAULT MOUNTING POSITION OF ACCESSORY MOUNTING BRACKETS SHOWN. THERE ARE 12 POSITIONS ON EACH SIDE OF THE ENCLOSURE FOR INSTALLING ACCESSORY MOUNTING BRACKETS ON ANY OF THE 2 ADJACENT MOUNTING HOLES. HOWEVER IT IS POSSIBLE TO MOUNT A MAXIMUM OF 6 ACCESSORY MOUNTING BRACKETS ON ONE SIDE. 4 ACCESSORY MOUNTING BRACKETS ARE PROVIDED WITH THE ENCLOSURE, 2 ON THE RIGHT SIDE AND 2 ON THE LEFT SIDE OF REAR OF THE UNIT LOCATED AS SHOWN. OTHER BRACKETS ARE AVAILABLE FOR PURCHASE AS SKU ER7PDUBRKTS.

- NOTES:
1. INSTALLATION SHALL COMPLY WITH ALL APPLICABLE NATIONAL, STATE AND LOCAL ELECTRICAL REGULATIONS.
 2. REFER TO PRODUCT DOCUMENTATION FOR ADDITIONAL DETAILS PRIOR TO INSTALLATION AND SITE PREPARATION WORK.
 3. ALL DIMENSIONS ARE IN MILLIMETERS [INCHES].

THIS DRAWING AND SPECIFICATIONS HEREIN ARE THE PROPERTY OF SCHNEIDER ELECTRIC AND SHALL NOT BE COPIED, REPRODUCED OR USED IN WHOLE OR IN PART, AS THE BASIS FOR THE MANUFACTURE OR SALE OF ITEMS WITHOUT WRITTEN PERMISSION FROM SCHNEIDER ELECTRIC. THIS DRAWING IS BASED UPON LATEST AVAILABLE INFORMATION AND IS SUBJECT TO CHANGE WITHOUT NOTICE.

Schneider Electric

TITLE: Easy RACK 42U
600mm W x 1000mm D w/o Side panels
SECTION VIEWS

PROJECT: SUBMITTAL DRAWINGS SHEET 3 OF 3

DWG NO:	ER6200	REV:	0
DRAWN BY:	JAYAPRAKASH	26-APR-21	FIRST
ENGINEER:	Wenjuan JIA/Xiaoying ZENG	27-APR-21	ANGLE
APPROVED BY:	Dazhong-Ivan SHI	27-APR-21	PROJECTION