

Electronic control & PowaLift technology combine in these versatile units.



- * Safe, smooth operation
- * Well proven technology
- * Quality, long life components
- * For screens 33 to 70 inch Trolley mounted
- * For screens 33 to 98 inch Floor to Wall mounted
- * Controllable by remote fob, cord switch or direct from your laptop - all supplied with unit

CE approved & DDA compliant

Operated by wireless remote or manual switch, screens can be commanded to rise or descend smoothly through 700mm, stopping safely at any point.

These units serve many requirements, particularly in the field of Special Needs, enabling young children or wheel chair users to interact with touch screens. 'Touch of a button' height control also makes it easy to move from one location to another through doorways.

Supplied with screen mount, hand held remote and manual switch as standard.



AVMW71

Length of travel 700mm
To centre of screen:
Min - 985mm
Max - 1685mm

Floor to Wall Version

Using the same proven mast technology as our trolley version these units allow fixed installation with the benefit of compactness and slim profile.

Order Code	Standard	£ Ex Vat	
AVMW71	33" to 70"	922.00	
Order Code	Heavy Duty	£ Ex Vat	
AVMW91	71" to 98"	1036.50	

Please state make & model of screen

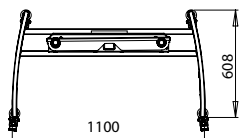
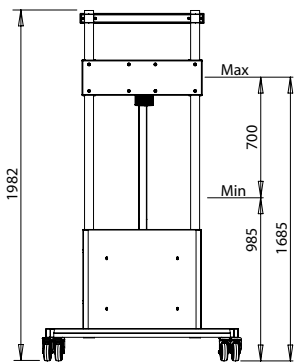
Length of travel 700mm
To centre of screen:
Min - 885mm
Max - 1585mm

AVMT71

Smooth Powered Operation



Rear of unit shown with 4-way power socket, antenna, power-in, USB & cord switch socket



Laptop Arm fully extends & articulates

Laptop platform

Order Code **AVML2** Laptop Platform £ Ex Vat **173.50**

Trolley Version

Order Code Screen size £ Ex Vat

AVMT71 33" to 70" **1171.20**

Please state make & model of screen

Typically 33-70" screens

100kg MAX



Green Road
Oxford,
OX3 8EU,
UK

01865 767676
sales@unicol.com
www.unicol.com



Electronic control & PowaLift technology combine in this versatile heavy duty unit.

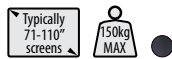
Based on our successful and elegant Rhobus range this heavy duty trolley, operated by wireless remote or manual switch, can command screens to rise or descend smoothly through 700mm, stopping safely at any point.

These units serve many requirements, particularly in the field of Special Needs, enabling young children or wheel chair users to interact with touch screens. 'Touch of a button' height control also makes it easy to move from one location to another through doorways.

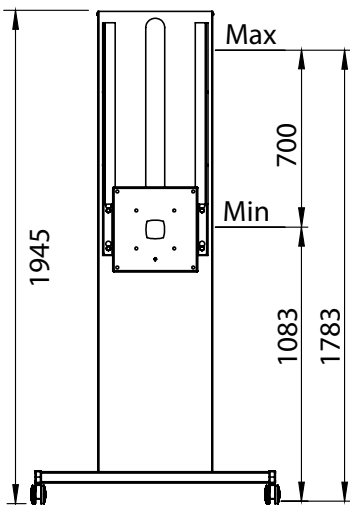
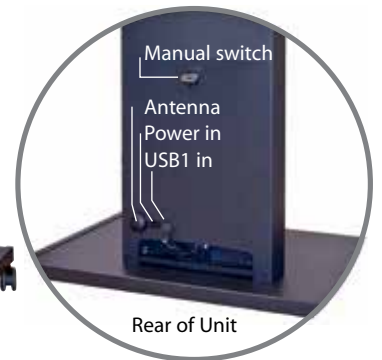
Supplied with screen mount, hand held remote and manual switch as standard.



- * **Safe, smooth operation**
- * **Well proven technology**
- * **For screens 71 to 110 inch**
- * **Quality, long life components**
- * **Static floor to wall units also available**
- * **Controllable by remote fob, cord switch or direct from your laptop (USB1) - all supplied with unit**

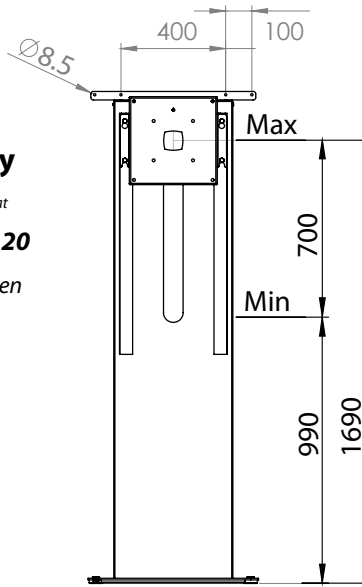
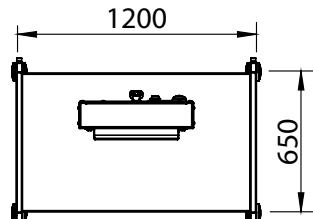


Smooth
Powered
Operation



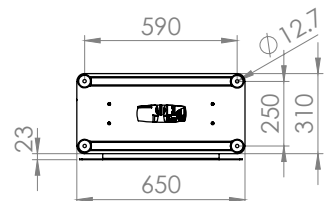
Rhobus PowaLift Trolley

Order Code Screen size £ Ex Vat
RHPL100HD 71" to 110" **1884.20**
 Please state make & model of screen



Rhobus PowaLift Floor to Wall bolt down stand

Order Code Screen size £ Ex Vat
RHPLFW 71" to 110" **1783.05**
 Please state make & model of screen



Powalift-Jul17



Green Road
Oxford,
OX3 8EU,
UK

01865 767676
sales@unicol.com
www.unicol.com

