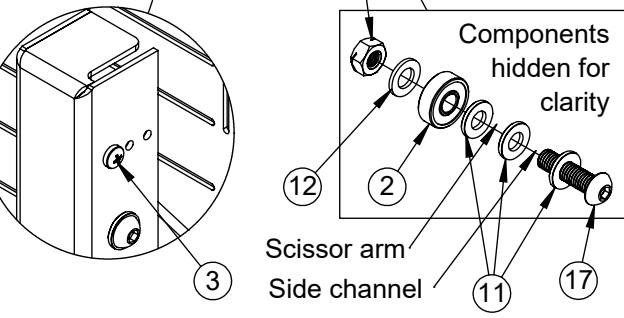
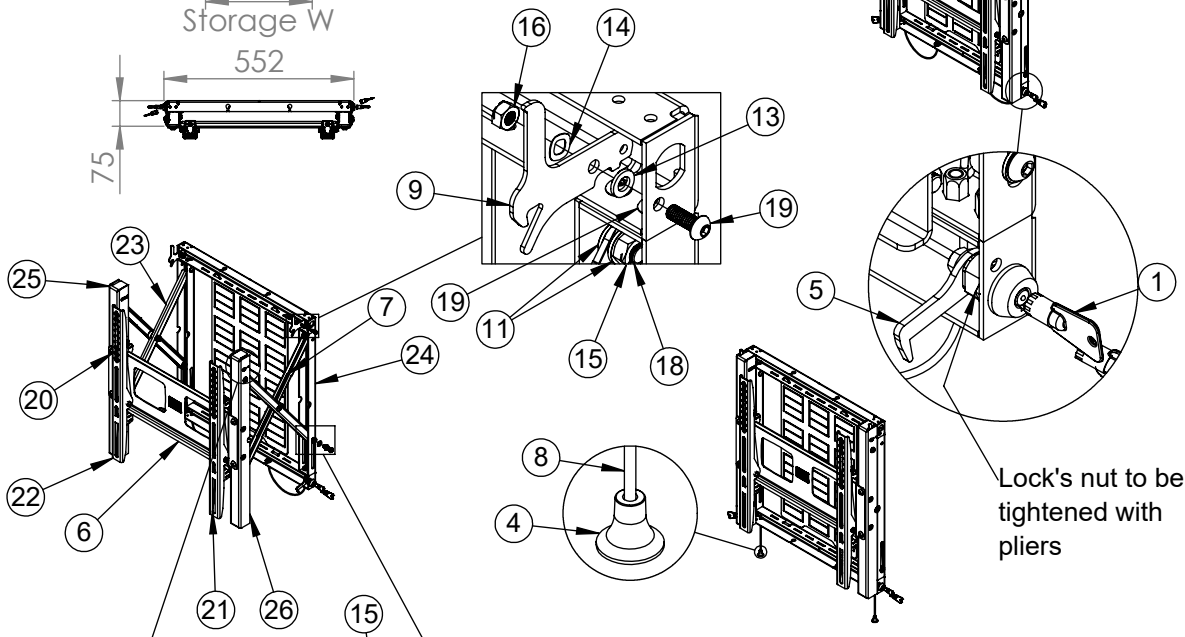
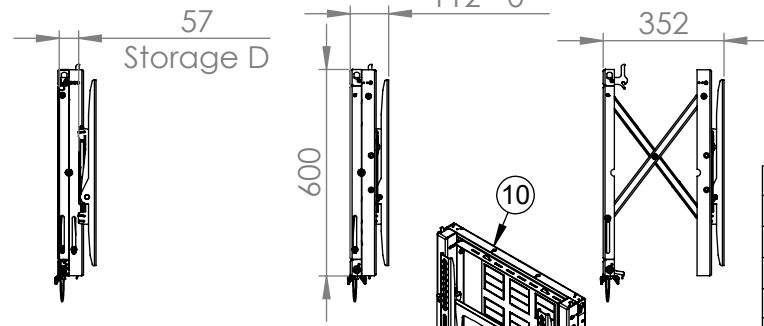


SECTION A-A



BOM Table			
NO	Part Number	Description	QTY.
1	USLBWKA	Unicol Standard Barrel Lock With Key Alike	2
2	SKF8X22OD	Bearing 8mm ID 22mm OD	4
3	PN-MET-4X40-SS-SC	Pozi Pan Head M4 X 40 ( Stainless Self Colour )	2
4	PCHVW	Pull cord handle	2
5	PAR--2066729	Accession lock cam	2
6	PAR--2066877	ASMW2 Accession screen rail	1
7	PAR--2066538	Accession AV tray	1
8	PAR--2066453	Accession release cord	2
9	PAR--2066452	Accession retainer latch	2
10	PAR--2066876	ASMW2 Accession wall mount top and bottom	2
11	NW-8X16X1.8BL	M8 X 16 X 1.8 Nylon Washer Black	24
12	FW-MET-8-HT-CZLN	Flat Washer M8 ( High Tensile Bright Zinc Plated Clear Passivated )	4
13	FW-MET-6-HT-CZLN	Flat Washer M6 ( Steel Bright Zinc Plated Clear Passivated )	2
14	CW-MET-6-SS-SC	Crinkle Washer M6 (Stainless Self Colour)	2
15	BN-MET-8-HT-CZLN	Binx Nut M8 ( High Tensile Bright Zinc Plated Clear Passivated )	8
16	BN-MET-6-SS-BO	Binx Nut M6 ( Steel Black Oxide )	2
17	BH-MET-8X30-HT-CZLN	Button Head Screw M8 X 30 ( High Tensile Bright Zinc Plated Clear Passivated )	4
18	BH-MET-8X20-HT-BO	Button Head Screw M8 X 20 ( High Tensile Black Oxide )	4
19	BH-MET-6X16-HT-BO	Button Head Screw M6 X 16 ( High Tensile Black Oxide )	10
20	BH-MET-10X25-HT-BO	Button Head Screw M10 X 25 ( High Tensile Black Oxide )	4
21	Ass--20002601	PZW1 Arm only Tilting Left	1
22	Ass--20001673	PZW1 Arm only Tilting Right	1
23	ASS--20061513	Accession scissor arm	2
24	ASS--20061507	Accession mount horizontal channel	2
25	ASS--20061504	Accession mount front LH arm	1
26	ASS--20061503	Accession mount front RH arm	1

Description		ASMW2 Accession service mount system	
UNLESS OTHERWISE SPECIFIED: DIMENSIONS ARE IN MILLIMETRES	Modified Date: 23 May 2024	DRW - REV <b>REV -</b>	See Below - Special Notes
	Created Date: 04 February 2014		
SURFACE FINISH: Powder Coat	Bend Tool:	Material:	Max VESA width 400
	Created By Andrew Griffiths		
Unicol Engineering Green Road Oxford OX3 8EU			Part Number & Part Revision <b>ASS--20061628 REV-</b>