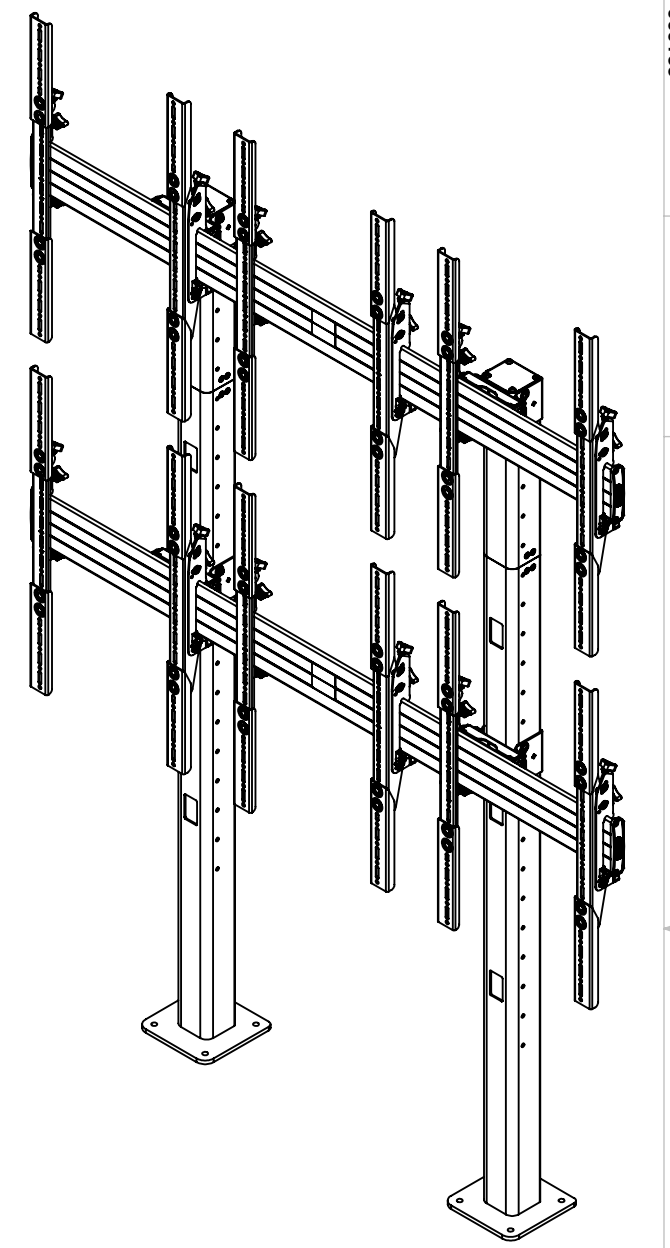
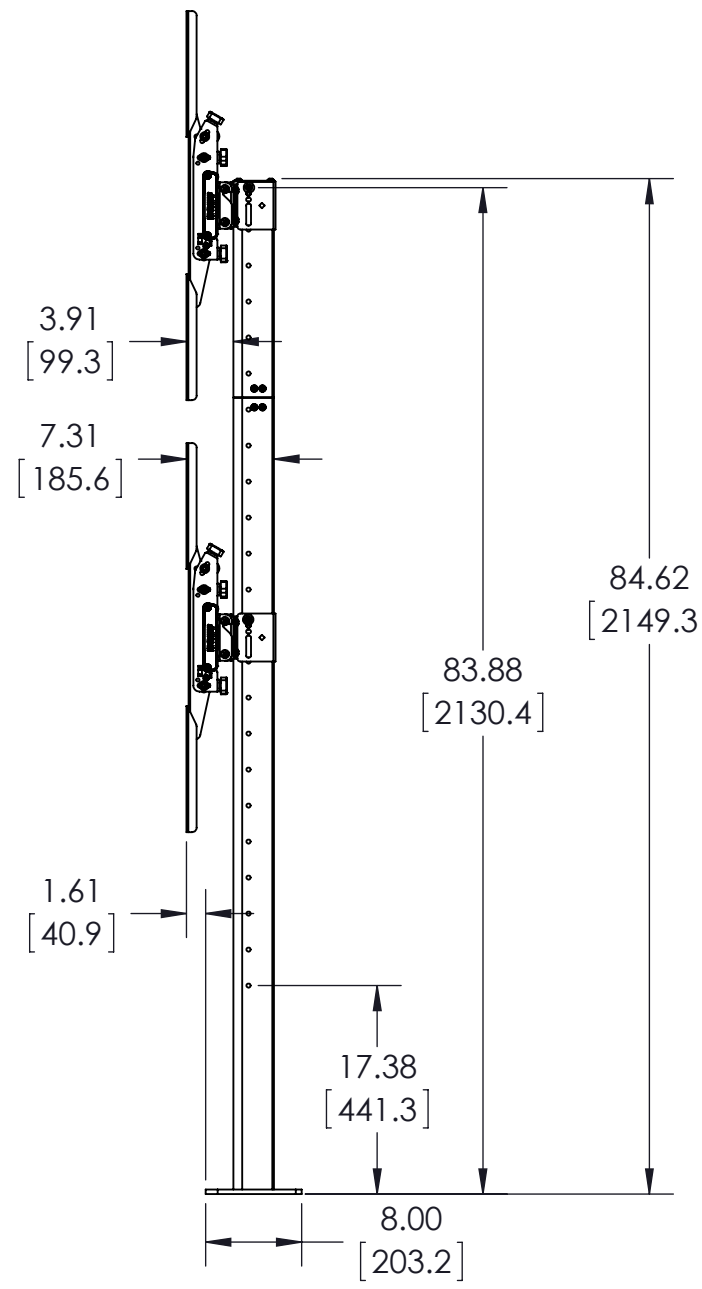
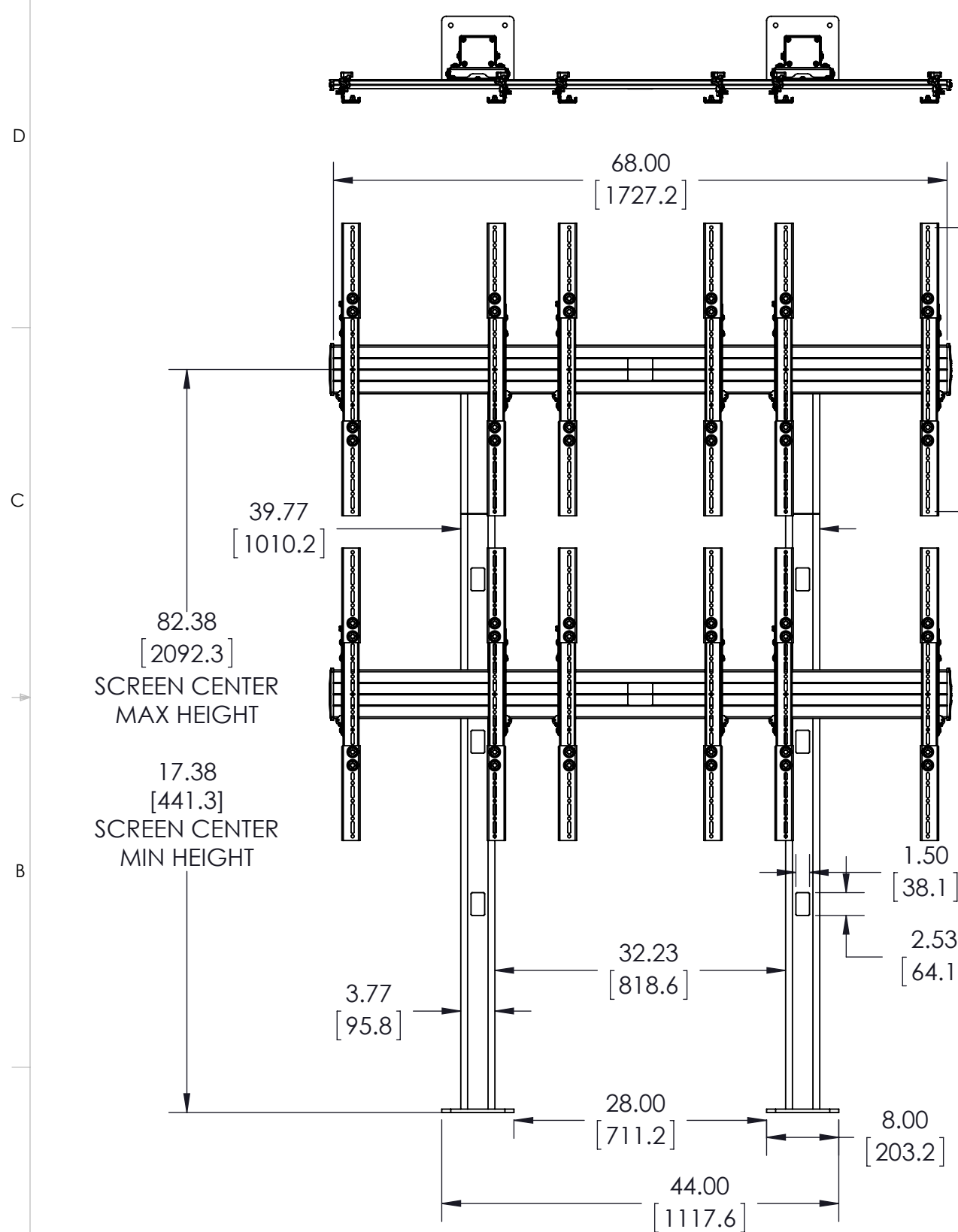


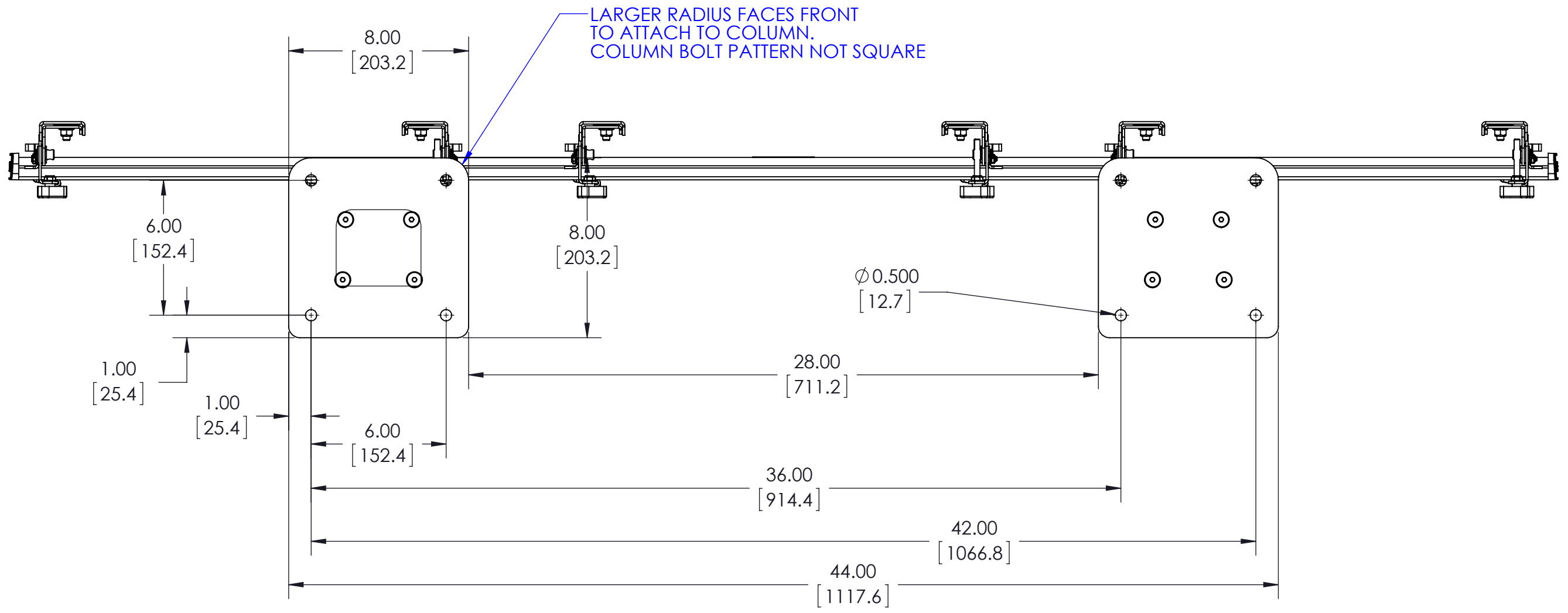
**MAX WEIGHT:  
100 LBS PER DISPLAY  
600 LBS TOTAL CAPACITY**



**THE INFORMATION AND DESIGNS CONTAINED IN THIS DRAWING ARE CONFIDENTIAL AND THE PROPRIETARY PROPERTY OF MILESTONE AV TECHNOLOGIES NEITHER THIS DESIGN NOR ANY INFORMATION CONTAINED IN THIS DRAWING MAY BE REPRODUCED OR DISCLOSED TO OTHERS WITHOUT THE EXPRESS WRITTEN CONSENT OF MILESTONE AV TECHNOLOGIES.**

CAD GENERATED DRAWING, DO NOT MANUALLY UPDATE.			<p>6436 CITY WEST PKWY EDEN PRAIRIE MN, 55344 PHONE: 866-977-3901 FAX: 877-894-6918</p>
DRAWN BY	MJS	12/12/2012	
ENG APPROVAL	MJS	12/12/2012	DESCRIPTION
MFG APPROVAL			<b>LBM3X2UP, FUSION 3X2 PORTRAIT BOLT DOWN VIDEO WALL</b>
QA APPROVAL			MODEL NO.
SHEET 1 OF 2			<b>LBM3X2UP</b>
SCALE	1:16	SIZE	DWG. NO.
		<b>B</b>	<b>TECH-000133</b>
		REV.	<b>00</b>

# BOTTOM VIEW FOR BOLT DOWN INSTALATION



**THE INFORMATION AND DESIGNS CONTAINED IN THIS DRAWING ARE CONFIDENTIAL AND THE PROPRIETARY PROPERTY OF MILESTONE AV TECHNOLOGIES NEITHER THIS DESIGN NOR ANY INFORMATION CONTAINED IN THIS DRAWING MAY BE REPRODUCED OR DISCLOSED TO OTHERS WITHOUT THE EXPRESS WRITTEN CONSENT OF MILESTONE AV TECHNOLOGIES.**

CAD GENERATED DRAWING, DO NOT MANUALLY UPDATE.			<p>6436 CITY WEST PKWY EDEN PRAIRIE MN, 55344 PHONE: 866-977-3901 FAX: 877-894-6918</p>
DRAWN BY	MJS	12/12/2012	
ENG APPROVAL	MJS	12/12/2012	DESCRIPTION
MFG APPROVAL			<b>LBM3X2UP, FUSION 3X2 PORTRAIT BOLT DOWN VIDEO WALL</b>
QA APPROVAL			MODEL NO.
SHEET 2 OF 2			LBM3X2UP
SCALE	1:5	SIZE	DWG. NO.
		B	TECH-000133
		REV.	00