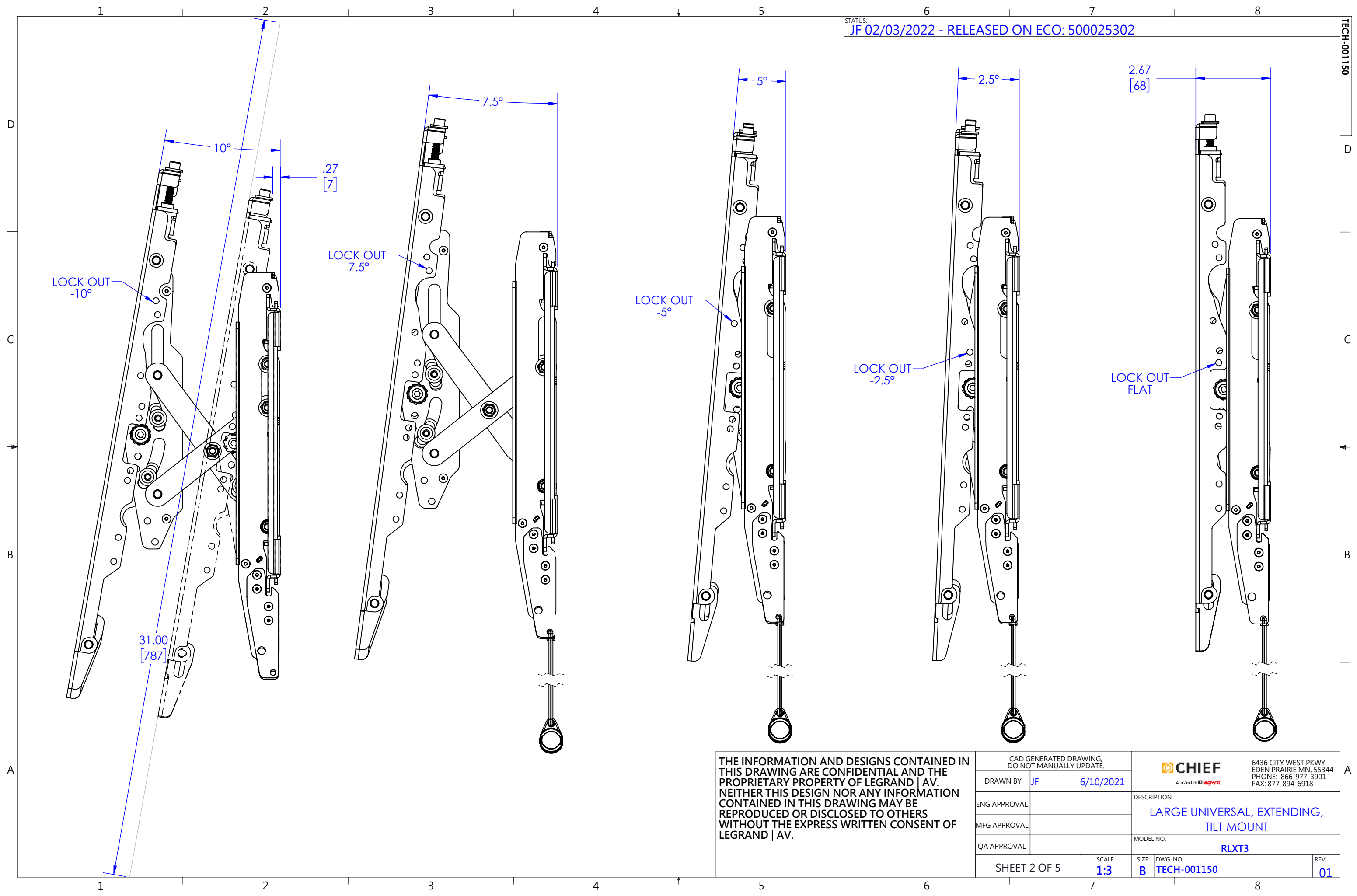


1. MAXIMUM HORIZONTAL MOUNTING PATTERN IS 27.8" (708 mm) WITHOUT REVERSING UPRIGHTS
2. MAXIMUM HORIZONTAL MOUNTING PATTERN IS 34" (863 mm) WITH REVERSING UPRIGHTS
3. FOR RECESSED APPLICATIONS, MINIMUM VERTICAL LIFT FOR HOOK ENGAGEMENT IS .75" (19 mm)

THE INFORMATION AND DESIGNS CONTAINED IN THIS DRAWING ARE CONFIDENTIAL AND THE PROPRIETARY PROPERTY OF LEGRAND | AV. NEITHER THIS DESIGN NOR ANY INFORMATION CONTAINED IN THIS DRAWING MAY BE REPRODUCED OR DISCLOSED TO OTHERS WITHOUT THE EXPRESS WRITTEN CONSENT OF LEGRAND | AV.

CAD GENERATED DRAWING, DO NOT MANUALLY UPDATE.				6436 CITY WEST PKWY EDEN PRAIRIE, MN, 55344 PHONE: 866-977-3901 FAX: 877-894-6918	
DRAWN BY	JF	6/10/2021	DESCRIPTION		
ENG APPROVAL			LARGE UNIVERSAL, EXTENDING, TILT MOUNT		
MFG APPROVAL			MODEL NO.		
QA APPROVAL			RLXT3		
SHEET 1 OF 5		SCALE	SIZE	DWG. NO.	REV.
		1:5	B	TECH-001150	01



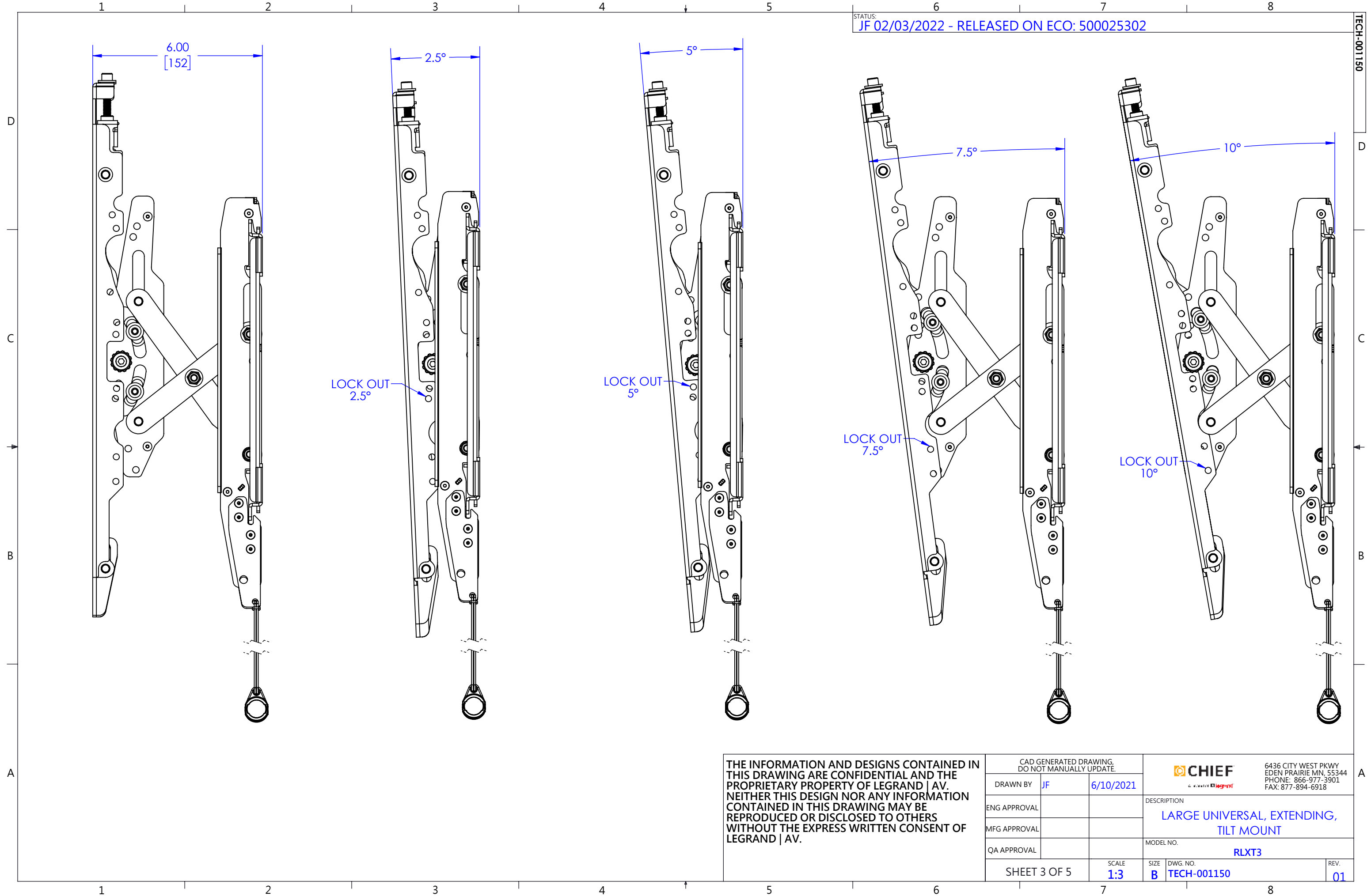
THE INFORMATION AND DESIGNS CONTAINED IN THIS DRAWING ARE CONFIDENTIAL AND THE PROPRIETARY PROPERTY OF LEGRAND | AV. NEITHER THIS DESIGN NOR ANY INFORMATION CONTAINED IN THIS DRAWING MAY BE REPRODUCED OR DISCLOSED TO OTHERS WITHOUT THE EXPRESS WRITTEN CONSENT OF LEGRAND | AV.

CAD GENERATED DRAWING, DO NOT MANUALLY UPDATE.			
DRAWN BY	JF	6/10/2021	
ENG APPROVAL			
MFG APPROVAL			
QA APPROVAL			
SHEET 2 OF 5		SCALE 1:3	SIZE B
		DWG. NO. TECH-001150	REV. 01

CHIEF
 6436 CITY WEST PKWY
 EDEN PRAIRIE, MN, 55344
 PHONE: 866-977-3901
 FAX: 877-894-6918

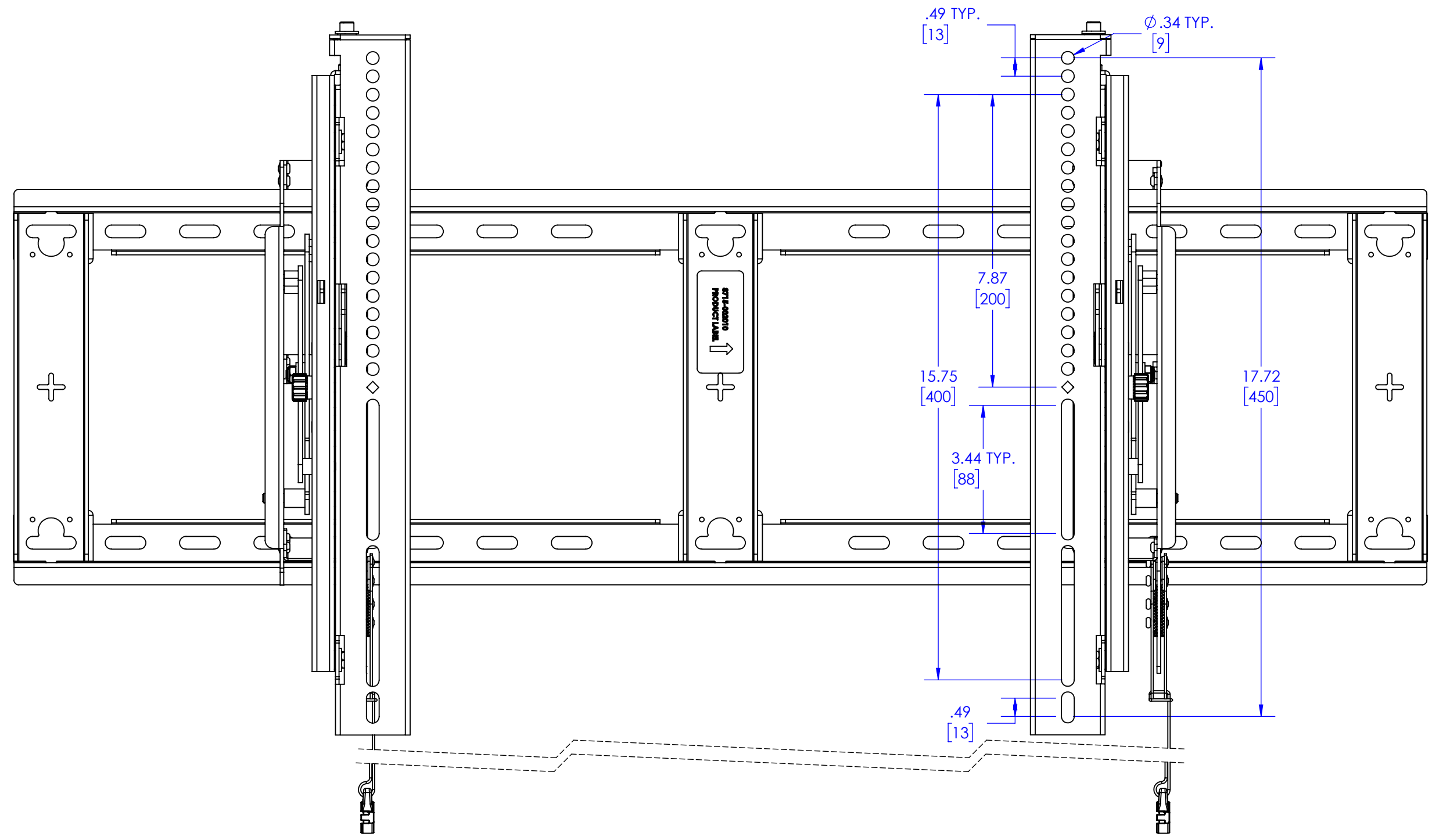
DESCRIPTION
LARGE UNIVERSAL, EXTENDING, TILT MOUNT

MODEL NO.
RLXT3




THE INFORMATION AND DESIGNS CONTAINED IN THIS DRAWING ARE CONFIDENTIAL AND THE PROPRIETARY PROPERTY OF LEGRAND | AV. NEITHER THIS DESIGN NOR ANY INFORMATION CONTAINED IN THIS DRAWING MAY BE REPRODUCED OR DISCLOSED TO OTHERS WITHOUT THE EXPRESS WRITTEN CONSENT OF LEGRAND | AV.

CAD GENERATED DRAWING, DO NOT MANUALLY UPDATE.			6436 CITY WEST PKWY EDEN PRAIRIE, MN, 55344 PHONE: 866-977-3901 FAX: 877-894-6918	
DRAWN BY	JF 6/10/2021		DESCRIPTION LARGE UNIVERSAL, EXTENDING, TILT MOUNT	
ENG APPROVAL		MODEL NO. RLXT3		
MFG APPROVAL		SIZE	DWG. NO.	REV.
QA APPROVAL		B	TECH-001150	01
SHEET 3 OF 5		SCALE		
		1:3		



THE INFORMATION AND DESIGNS CONTAINED IN THIS DRAWING ARE CONFIDENTIAL AND THE PROPRIETARY PROPERTY OF LEGRAND | AV. NEITHER THIS DESIGN NOR ANY INFORMATION CONTAINED IN THIS DRAWING MAY BE REPRODUCED OR DISCLOSED TO OTHERS WITHOUT THE EXPRESS WRITTEN CONSENT OF LEGRAND | AV.

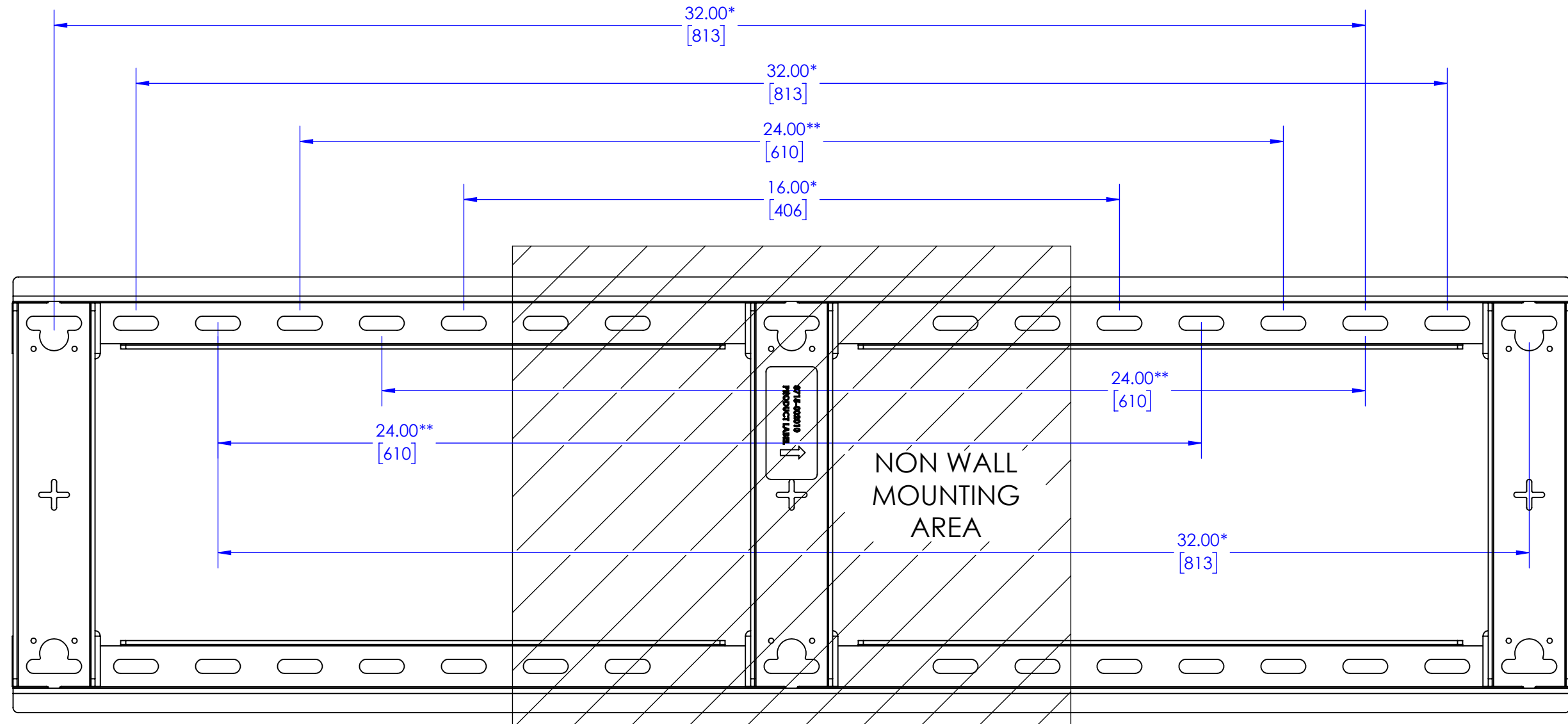
CAD GENERATED DRAWING, DO NOT MANUALLY UPDATE.		 6436 CITY WEST PKWY EDEN PRAIRIE MN, 55344 PHONE: 866-977-3901 FAX: 877-894-6918
DRAWN BY	JF 6/10/2021	
ENG APPROVAL		DESCRIPTION
MFG APPROVAL		LARGE UNIVERSAL, EXTENDING, TILT MOUNT
QA APPROVAL		MODEL NO.
SHEET 4 OF 5		RLXT3
SCALE	1:3	SIZE
		DWG. NO.
		TECH-001150
		REV.
		01

1 2 3 4 5 6 7 8

D
C
B
A

D
C
B
A

1 2 3 4 5 6 7 8



* DENOTES ACCEPTABLE 16" STUD SPACING
 ** DENOTES ACCEPTABLE 24" STUD SPACING

THE INFORMATION AND DESIGNS CONTAINED IN THIS DRAWING ARE CONFIDENTIAL AND THE PROPRIETARY PROPERTY OF LEGRAND | AV. NEITHER THIS DESIGN NOR ANY INFORMATION CONTAINED IN THIS DRAWING MAY BE REPRODUCED OR DISCLOSED TO OTHERS WITHOUT THE EXPRESS WRITTEN CONSENT OF LEGRAND | AV.

CAD GENERATED DRAWING, DO NOT MANUALLY UPDATE.			6436 CITY WEST PKWY EDEN PRAIRIE MN, 55344 PHONE: 866-977-3901 FAX: 877-894-6918	
DRAWN BY	JF 6/10/2021		DESCRIPTION LARGE UNIVERSAL, EXTENDING, TILT MOUNT	
ENG APPROVAL		MODEL NO. RLXT3		
MFG APPROVAL		SIZE	DWG. NO. B TECH-001150	REV. 01
QA APPROVAL		SHEET 5 OF 5		
SCALE 1:3				

