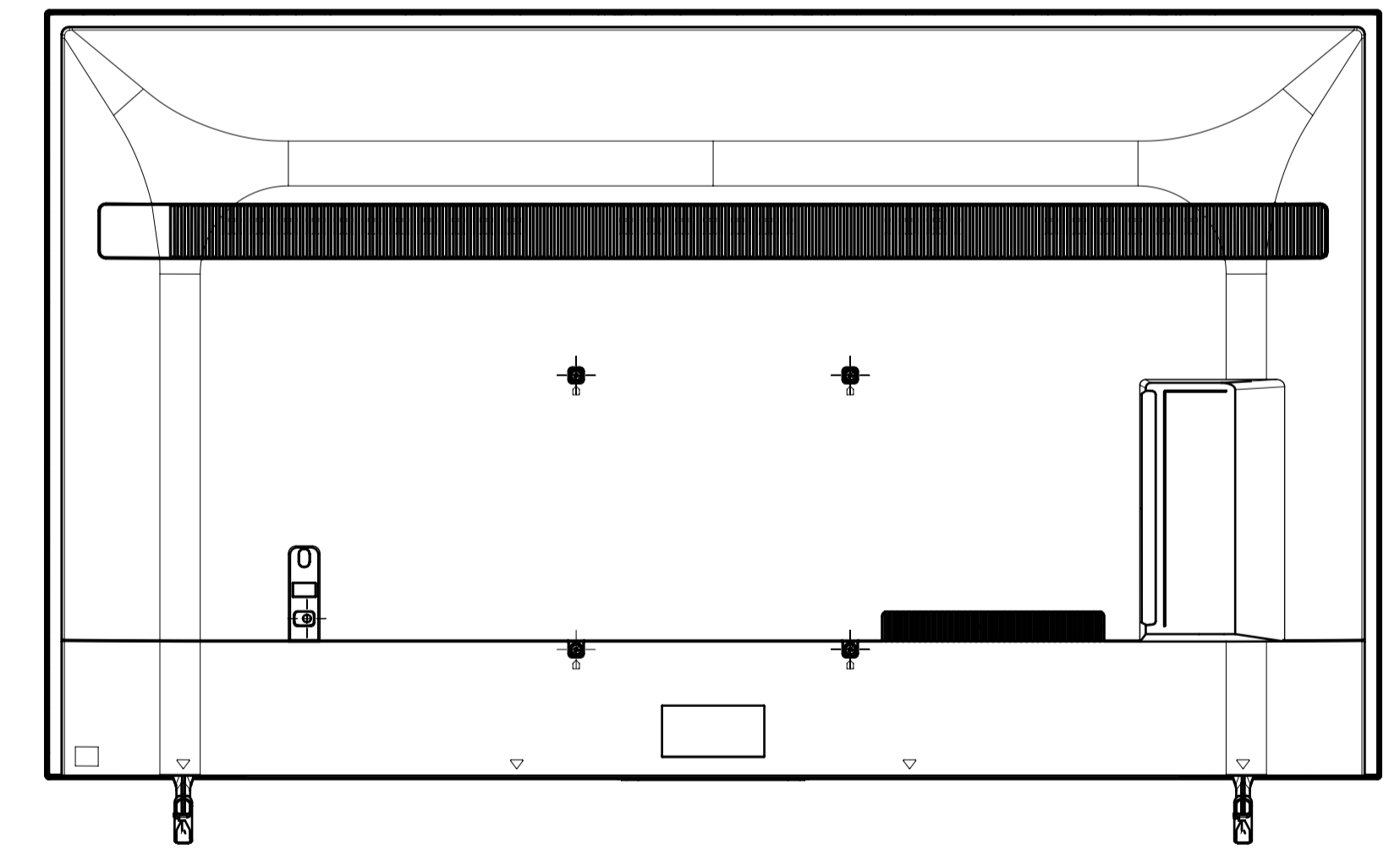
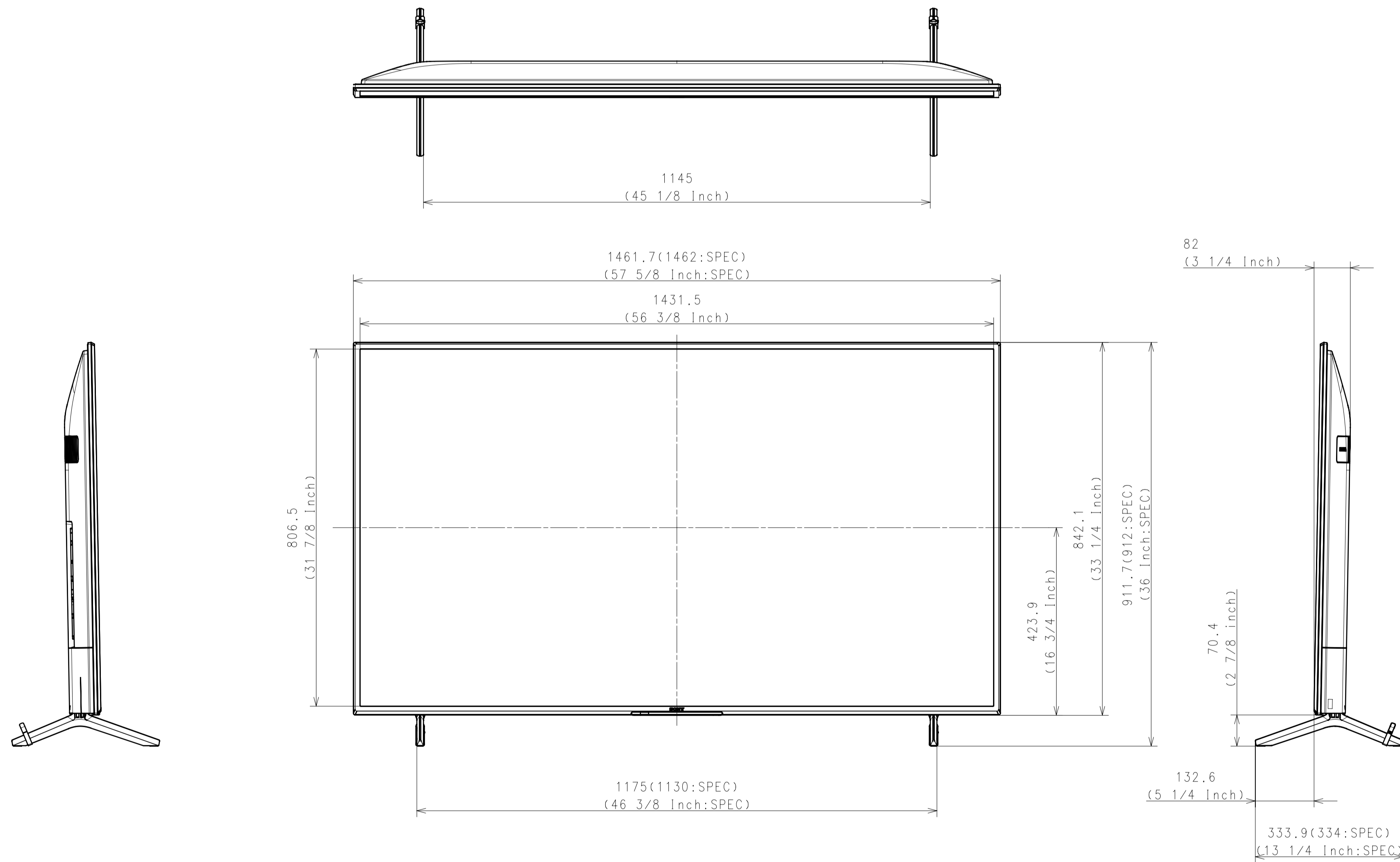


Area	JAPAN	EUROPE	GENERAL AREA	
Model Name	KJ-65X75WL	KJ-65X75WL	KD-65X75WL	
SV No.	SV-41563	SV-41529	SV-41726	
DIMENSION	TV only (W x H x D)	146.2 x 84.2 x 7.1 cm	Approx. 146.2 x 84.2 x 7.1 cm	Approx. 146.2 x 84.2 x 7.1 mm
	TV only with camera (W x H x D)	-	-	-
	TV with Stand (Standard position) (W x H x D)	146.2 x 91.2 x 33.4 cm	Approx. 146.2 x 91.2 x 33.4 cm	Approx. 146.2 x 91.2 x 33.4 mm
	TV with Stand (Narrow position) (W x H x D)	-	Approx. 146.2 x 91.2 x 33.4 cm	-
	TV with Stand (Soundbar position) (W x H x D)	-	-	-
	TV with Stand (Front position style) (W x H x D)	-	-	-
	TV with Stand (Back position style) (W x H x D)	-	-	-
	TV with Floor Stand (W x H x D)	-	-	-
	Stand Width (Standard position)	117.5 cm	Approx. 117.5 cm	Approx. 1175 mm
	Stand Width (Narrow position)	-	Approx. 44.5 cm	-
	Stand Width (Soundbar position)	-	-	-
	Stand Width (Front position style)	-	-	-
	Stand Width (Back position style)	-	-	-
	Floor Stand Width	-	-	-
VESA Hole Pitch	30.0 x 30.0 cm	30.0 x 30.0 cm	300 x 300 mm	
WEIGHT	TV Only	20.4 kg	Approx. 20.4 kg	Approx. 20.4 kg
	TV with Stand (Standard position)	20.7 kg	Approx. 20.7 kg	Approx. 20.7 kg
	TV with Stand (Narrow position)	-	-	-
	TV with Stand (Soundbar position)	-	-	-
	TV with Stand (Front/Back position style)	-	-	-
	TV with Floor Stand	-	-	-
	Floor Stand weight (Supply)	-	-	-
W-M't Br. Weight (Supply)	-	-	-	
Remarks		2way		

WITH STAND
STANDARD POSITION

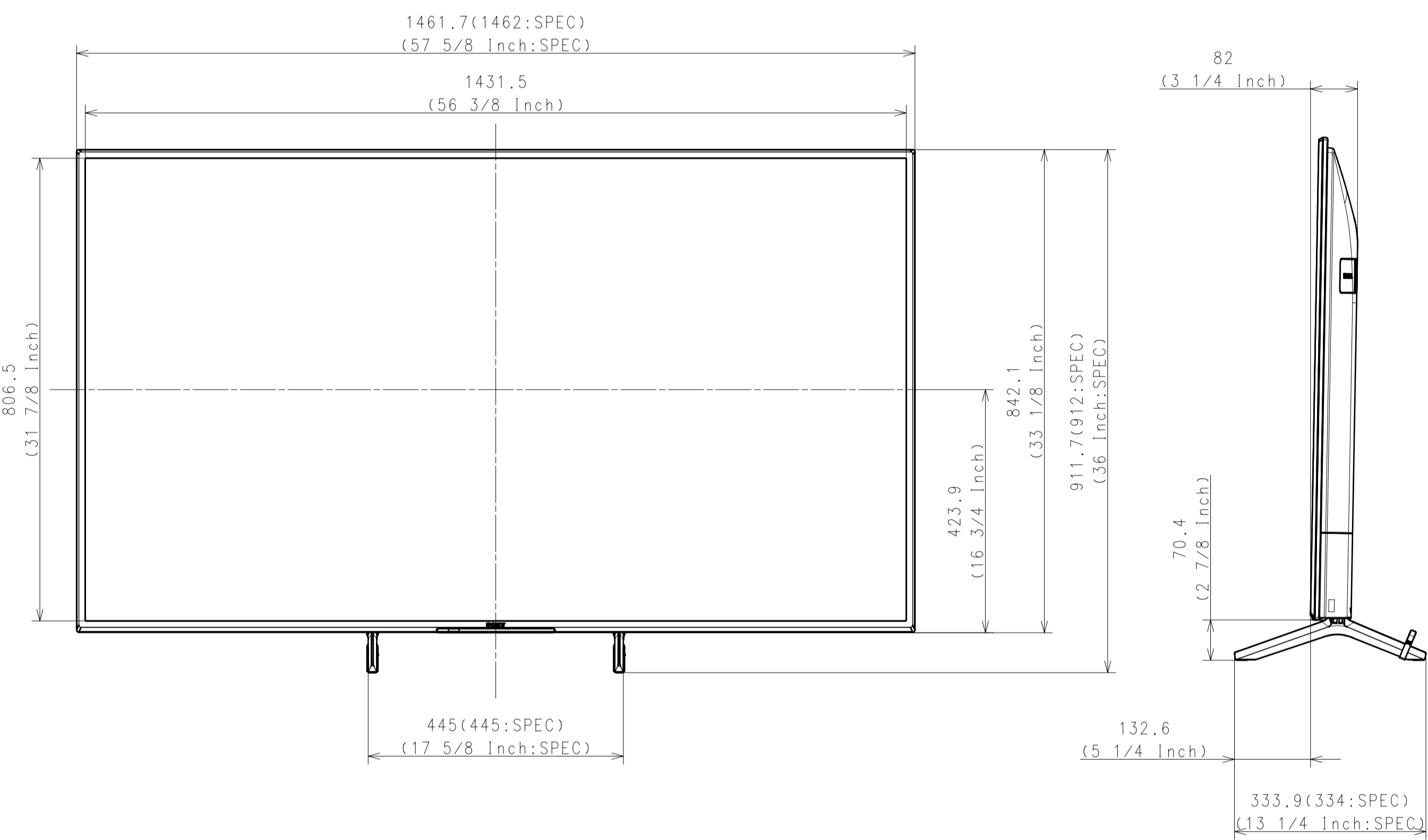
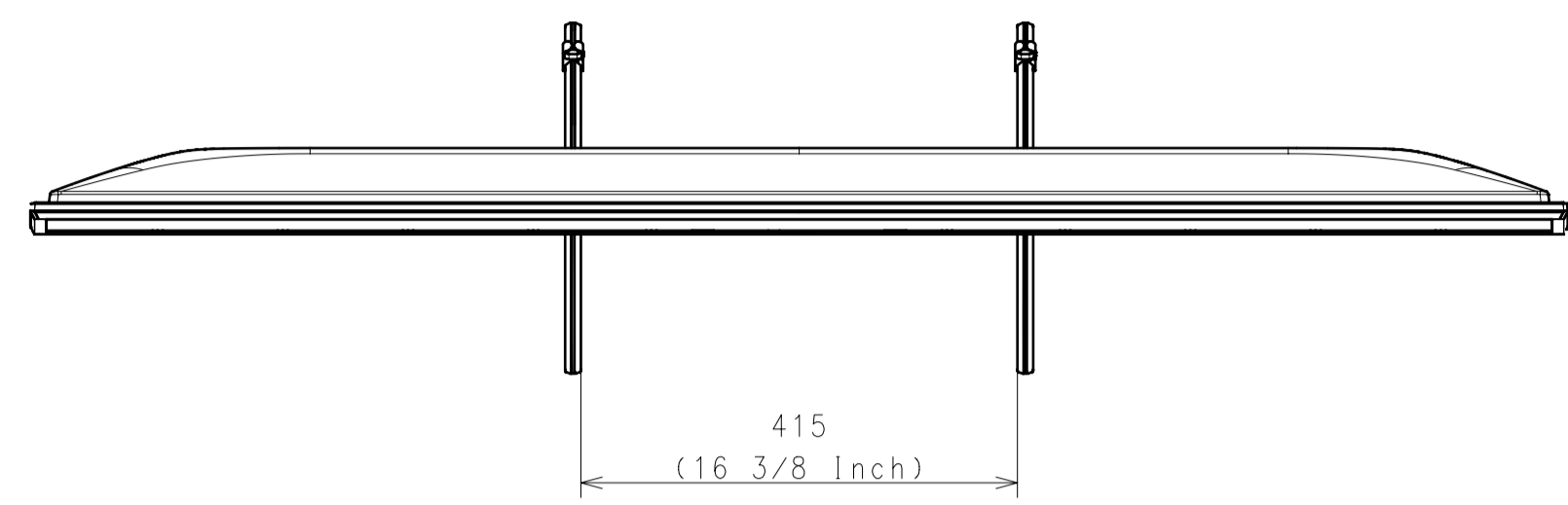


Purchase recycled resins and wire rods only from the business partners that Sony approves as Green Partners.
 再生樹脂・銅線材のみをグリーンパートナーから調達してください。

HISTORY SUFFIX AREA NO. REV. DATE RELEASE NO. DATE REVISION SIGN.		GENERAL TOLERANCE DATE OF ISSUE 2022.12.20 DOCUMENT TYPE ASSEMBLY DRAWING TOLERANCING DRAWING (JIS & ISO/JIS & ISO)
RESPONSIBLE DEPARTMENT PANEL & MECHANICAL DESIGN PLANNED BY CHECKED BY APPROVED BY SCALE 1:7 TENTATIVE MODEL ORIGINAL MODEL DESCRIPTIONS 65(X75WL) EXTERIOR VIEW 65(X75WL) EXTERIOR VIEW DRAWN BY PREL. METHOD SIZE UNIT A1 mm PART NO. SUFFIX REV. NO. SHEET/PAGES 1/5		MATERIAL COLOR FINISH COLOR

WITH STAND

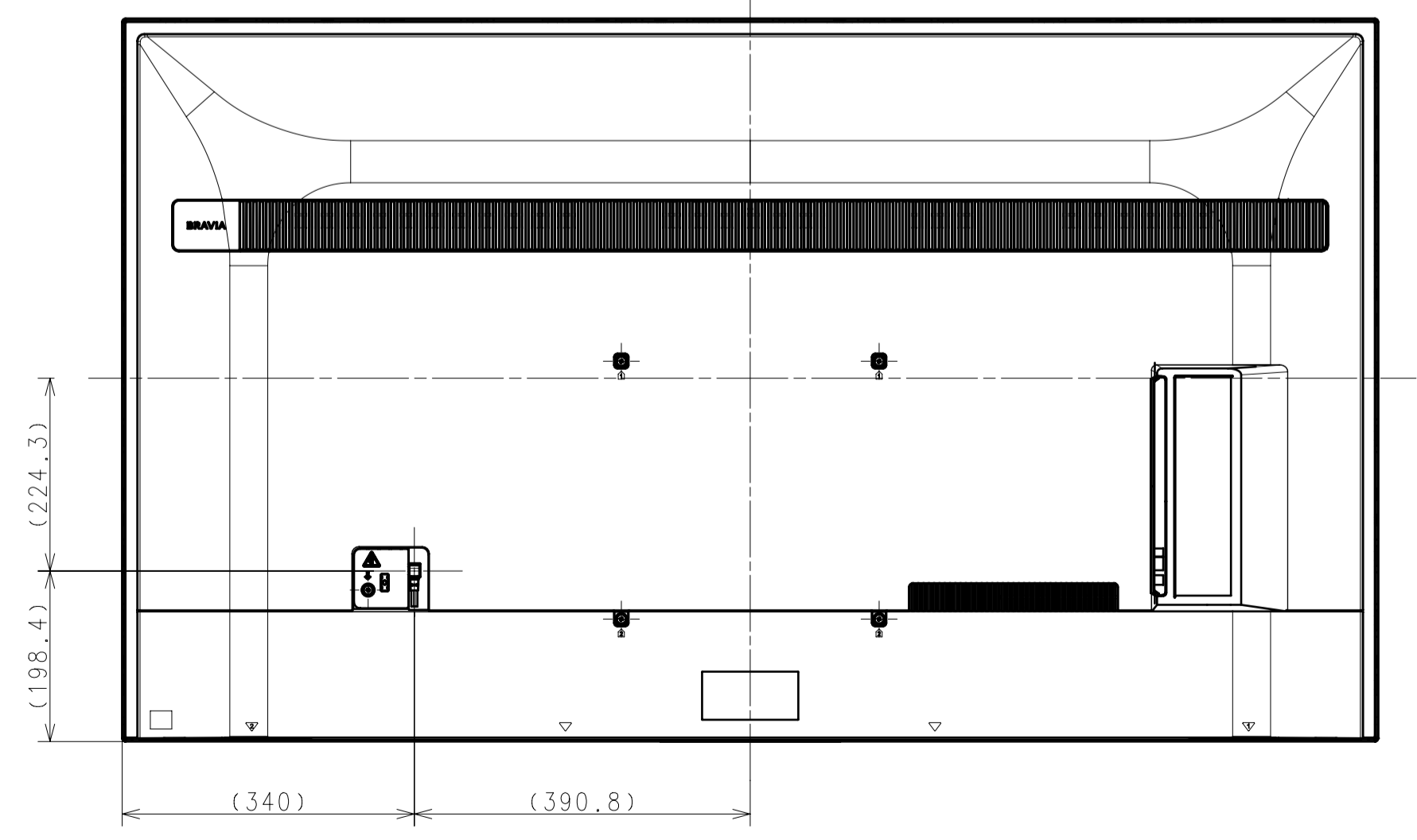
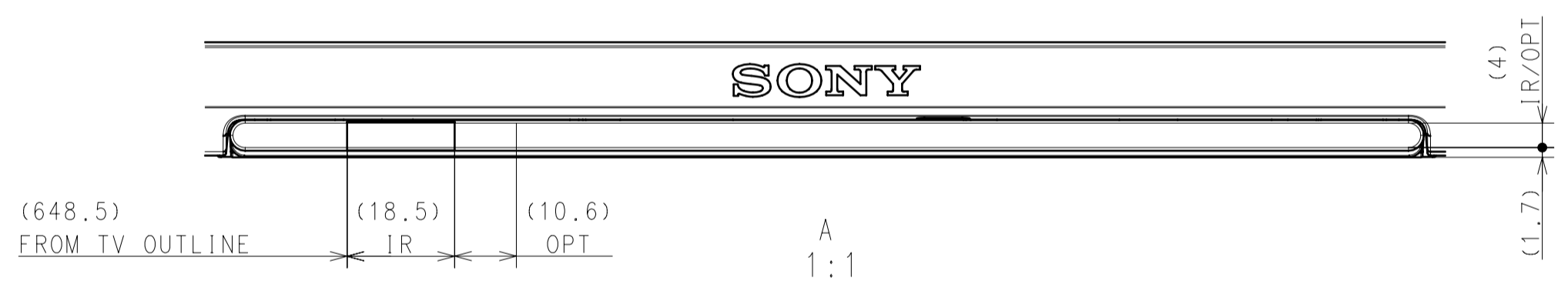
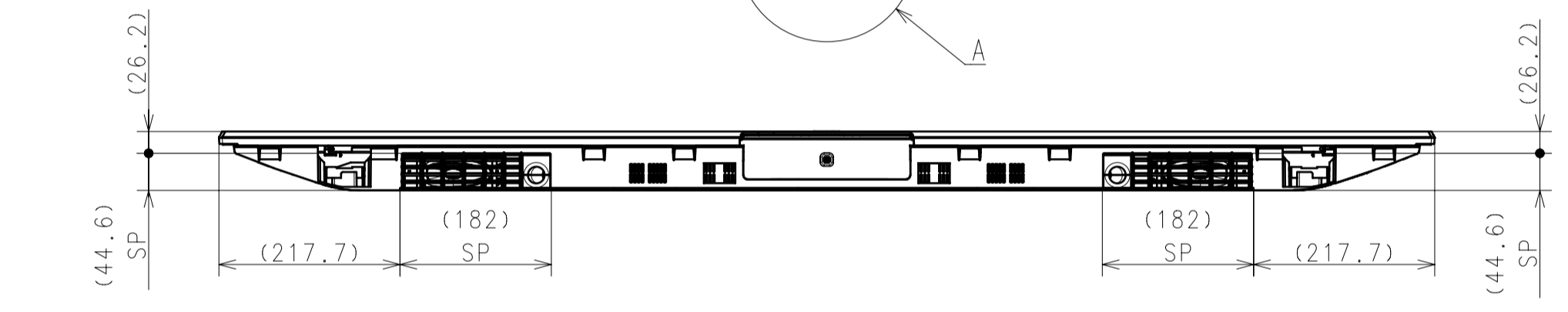
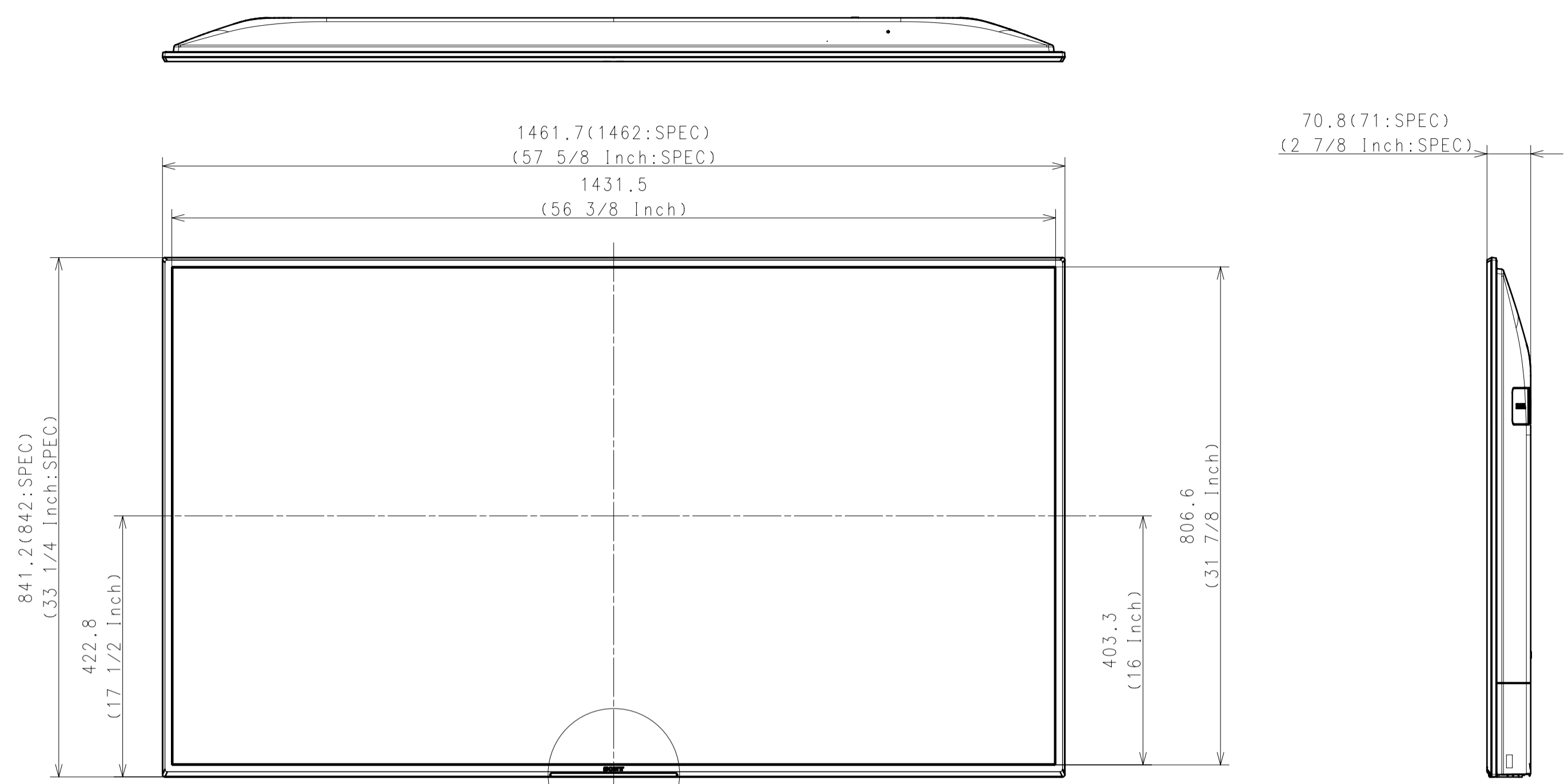
NARROW POSITION



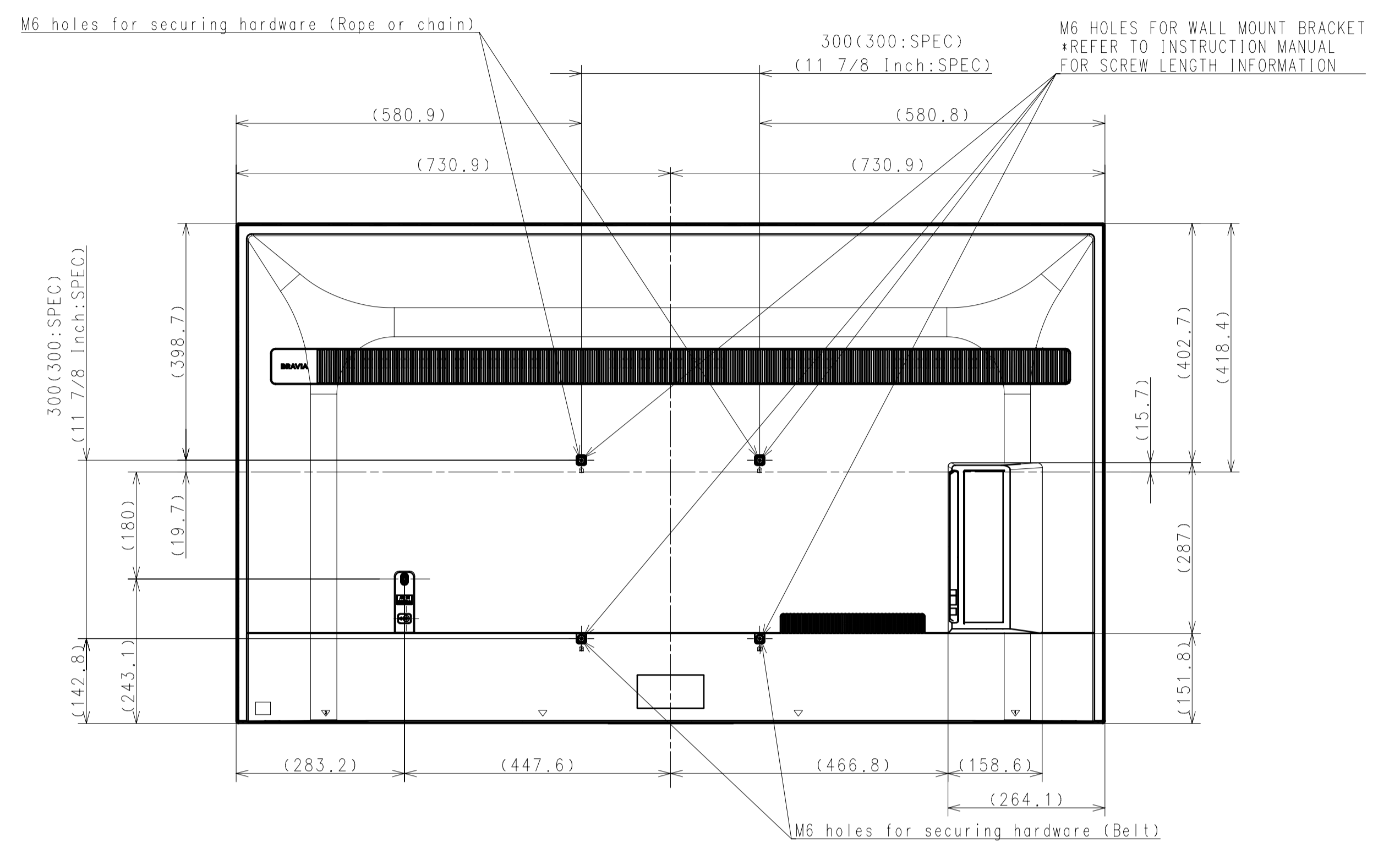
DRAWING
SONY STANDARD

DESCRIPTION 1	LEGAL OWNER	SCALE
65(X75WL) EXTERIOR VIEW	Sony Corporation	1:7
DESCRIPTION 2	PART NO.	SHEET/PAGES
65(X75WL) EXTERIOR VIEW		2 / 5

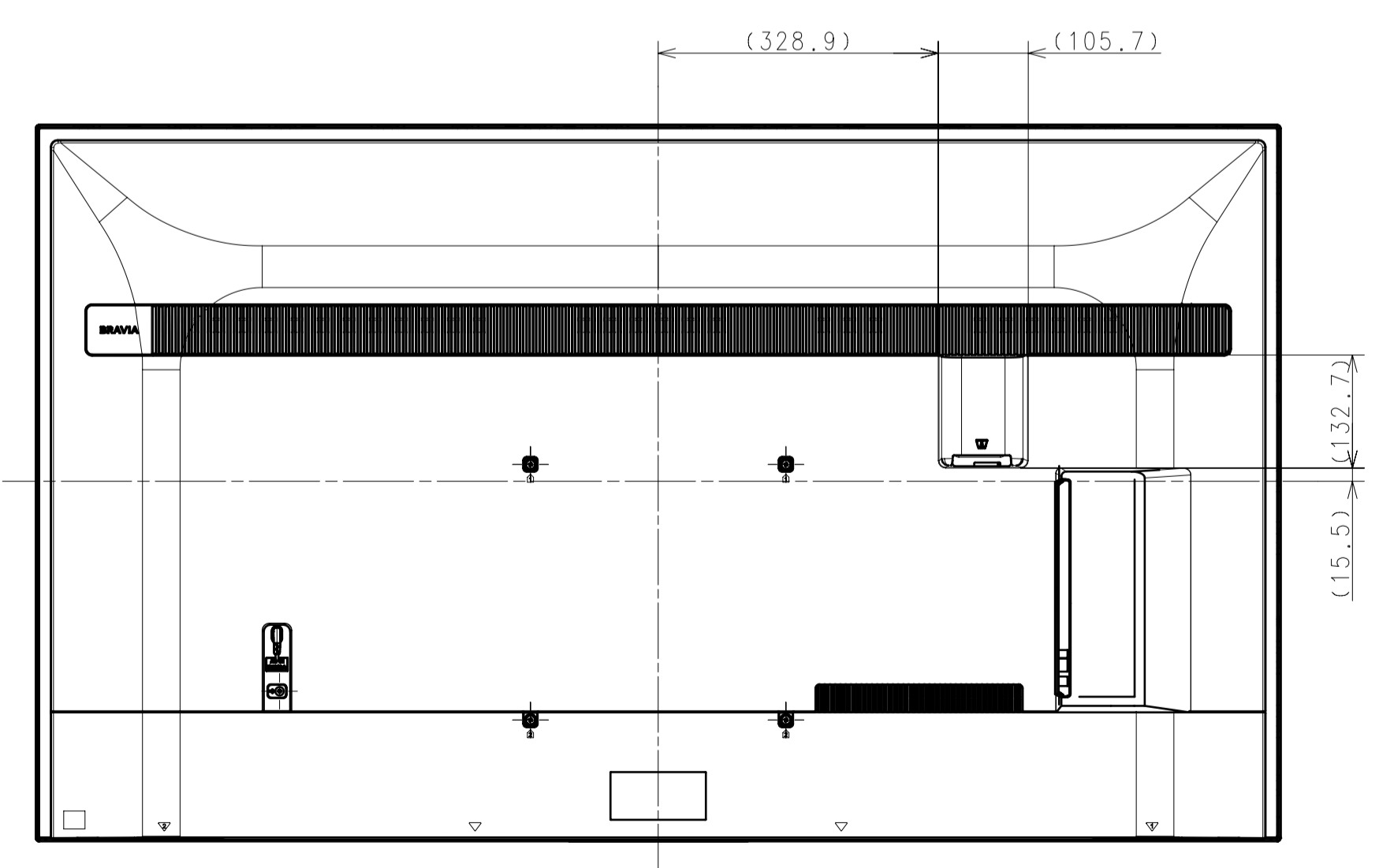
WITHOUT STAND



For. JAPAN



For. GENERAL AREA

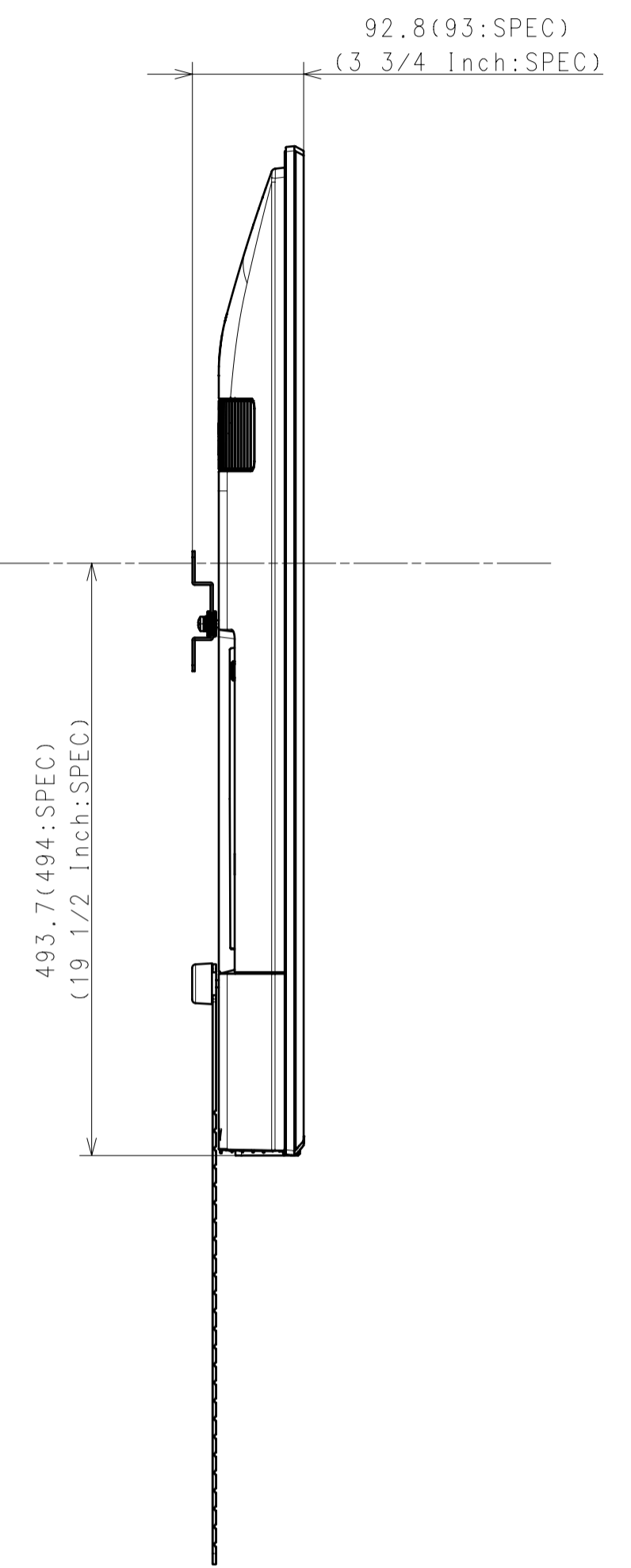
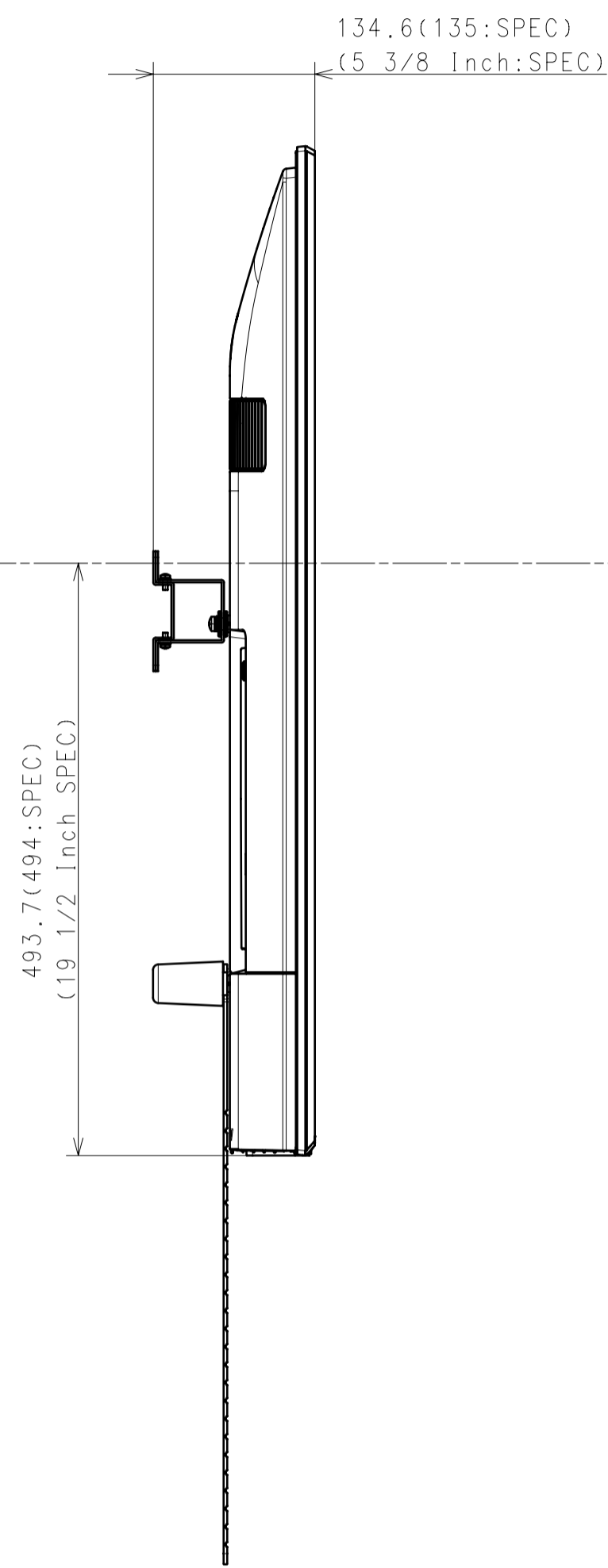
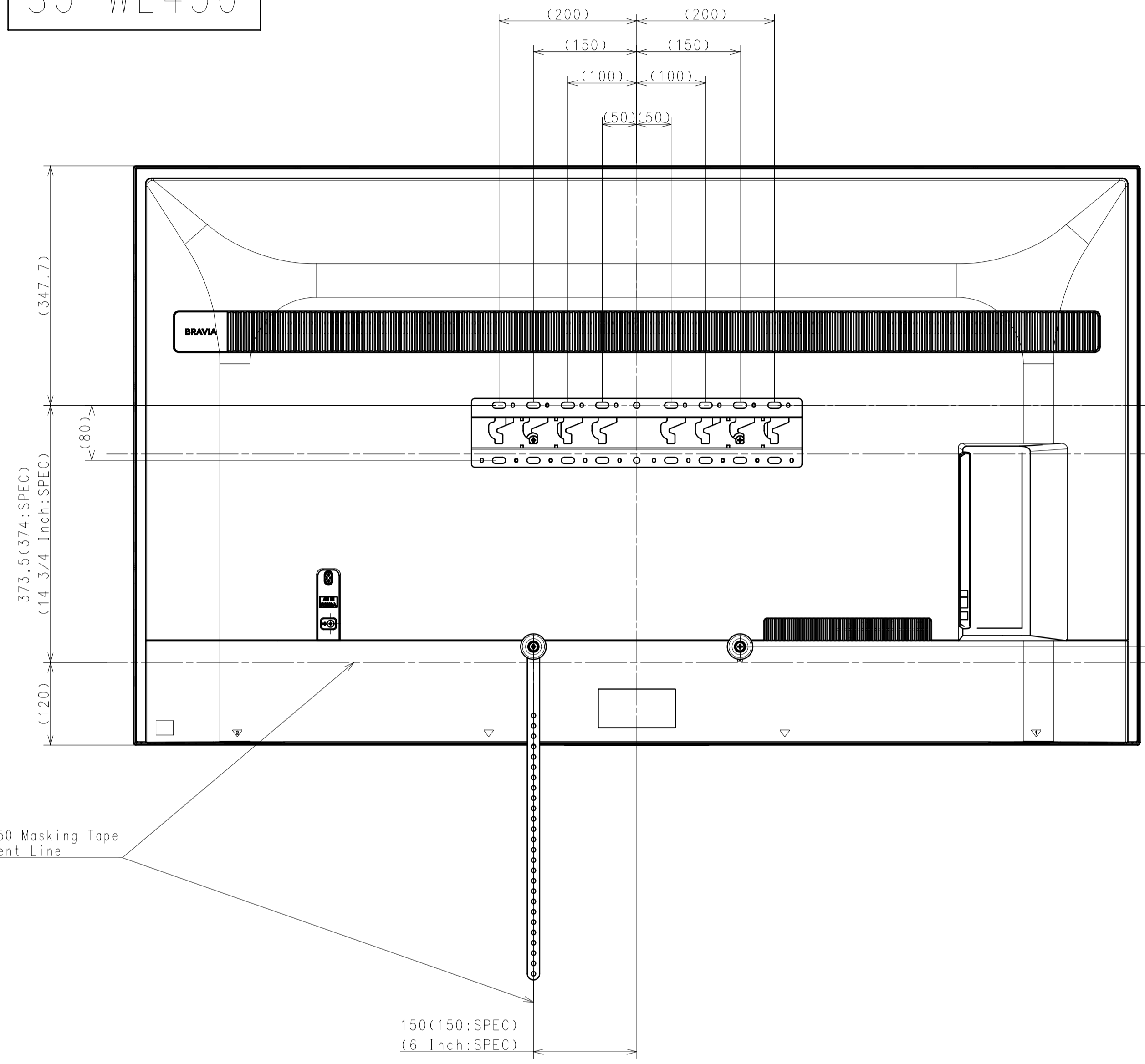


For. EUROPE

SU-WL450

STANDARD

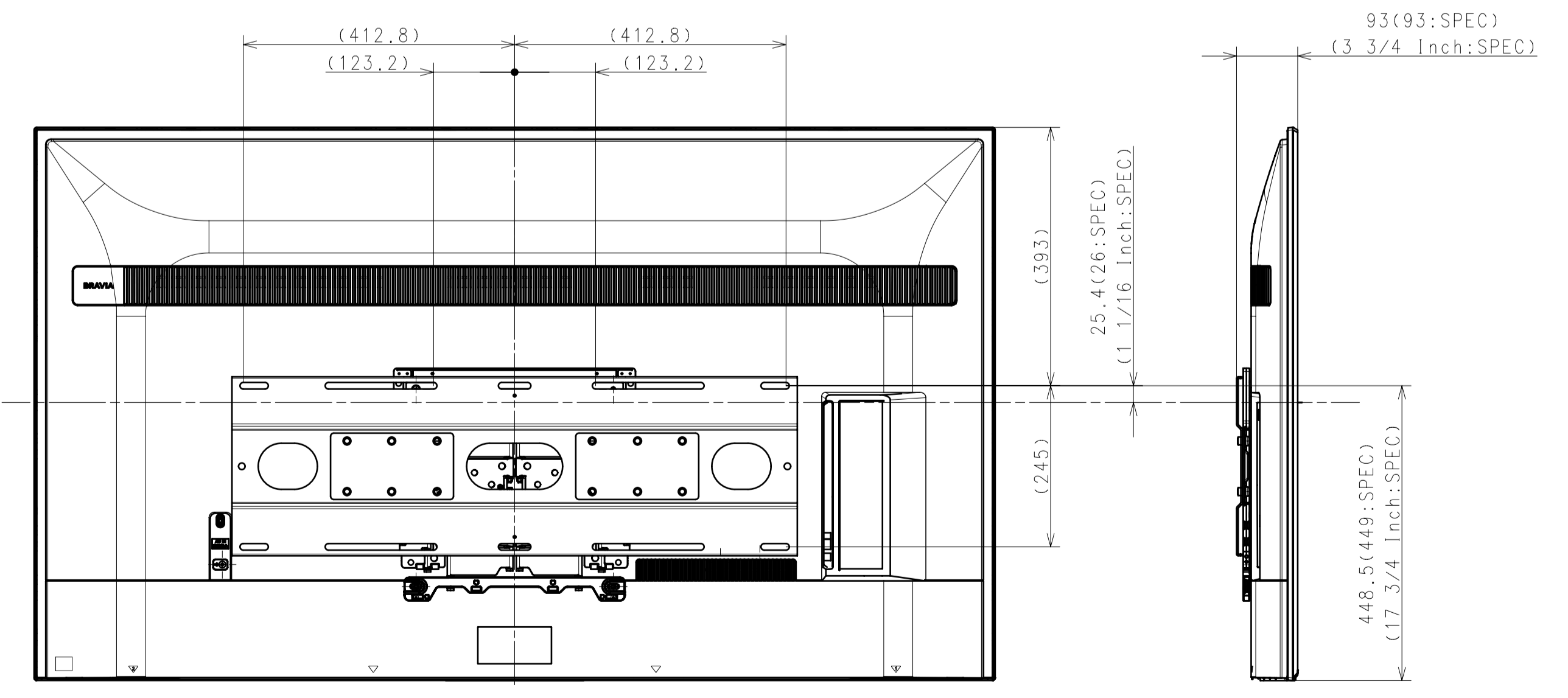
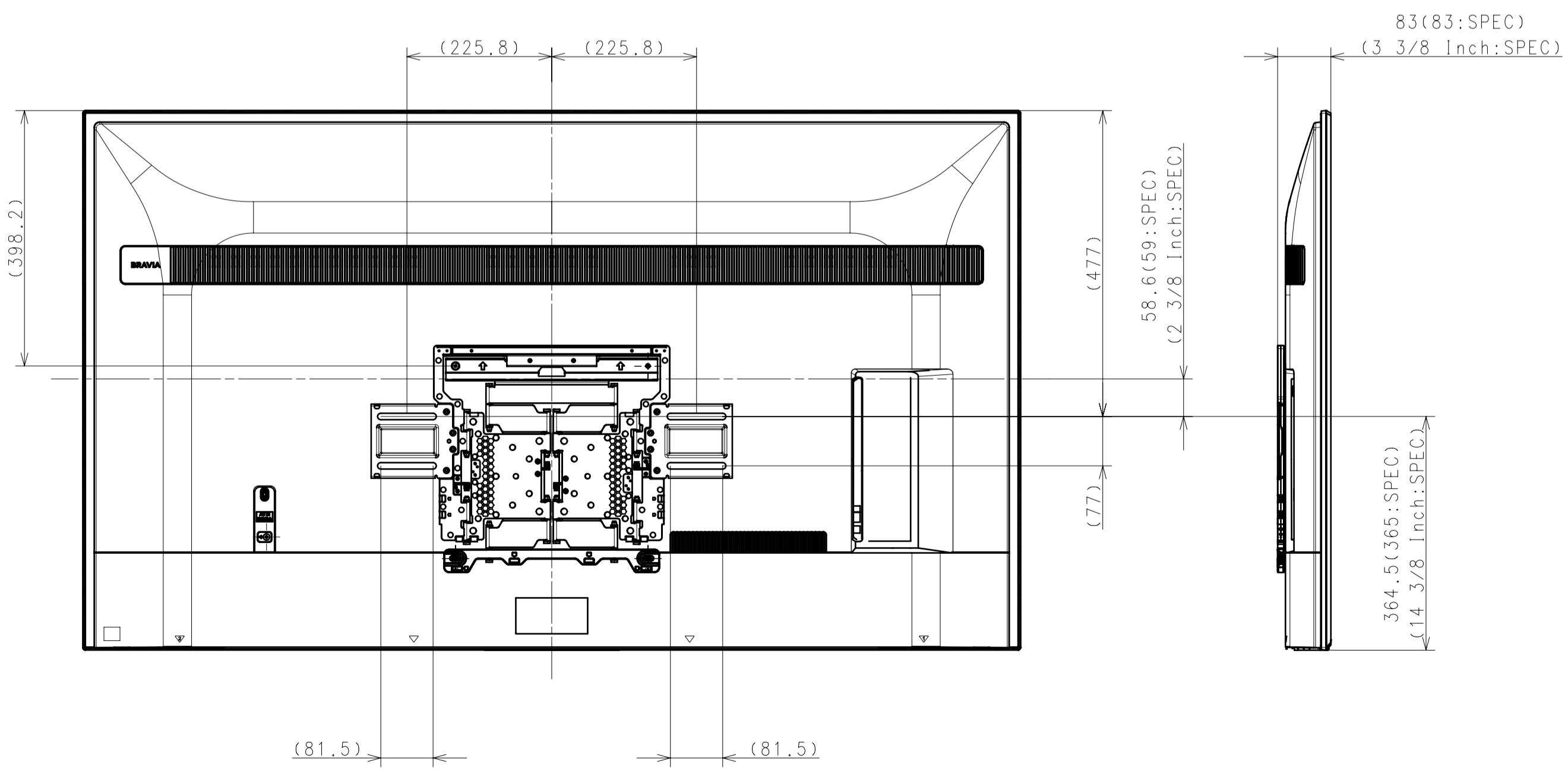
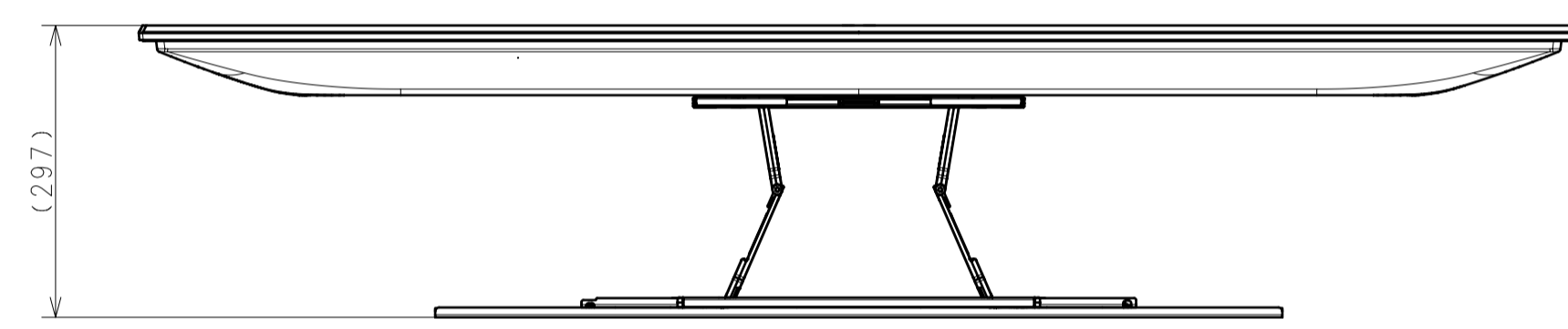
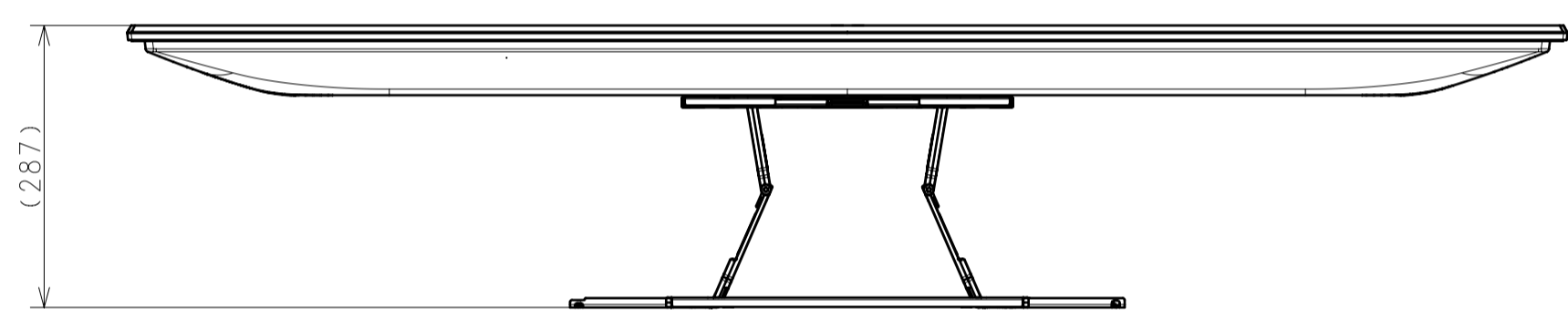
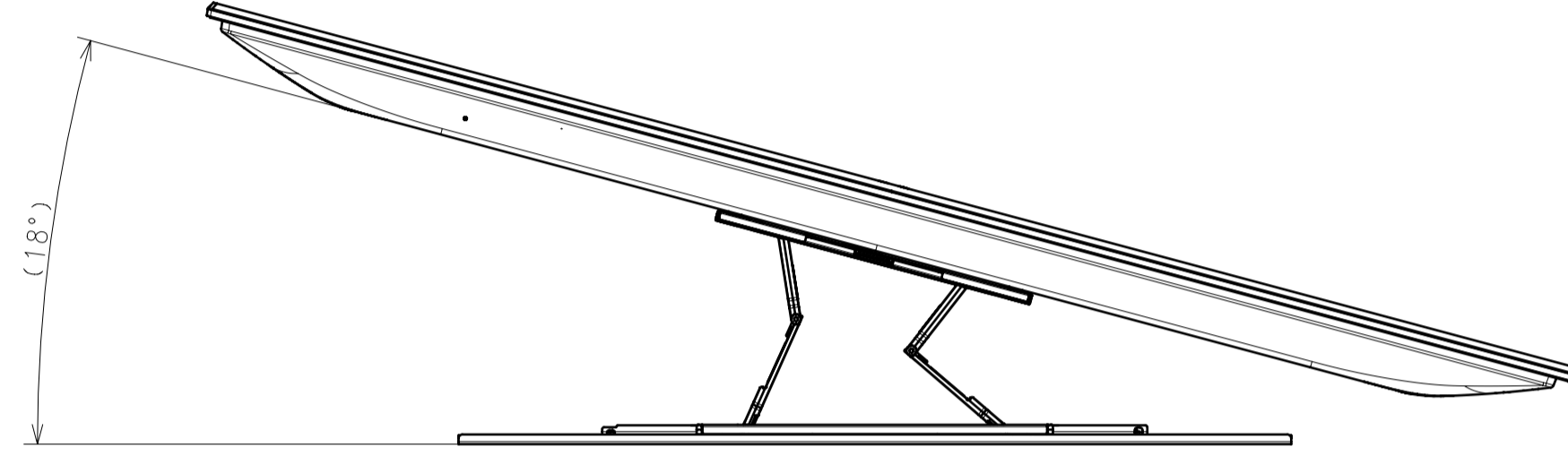
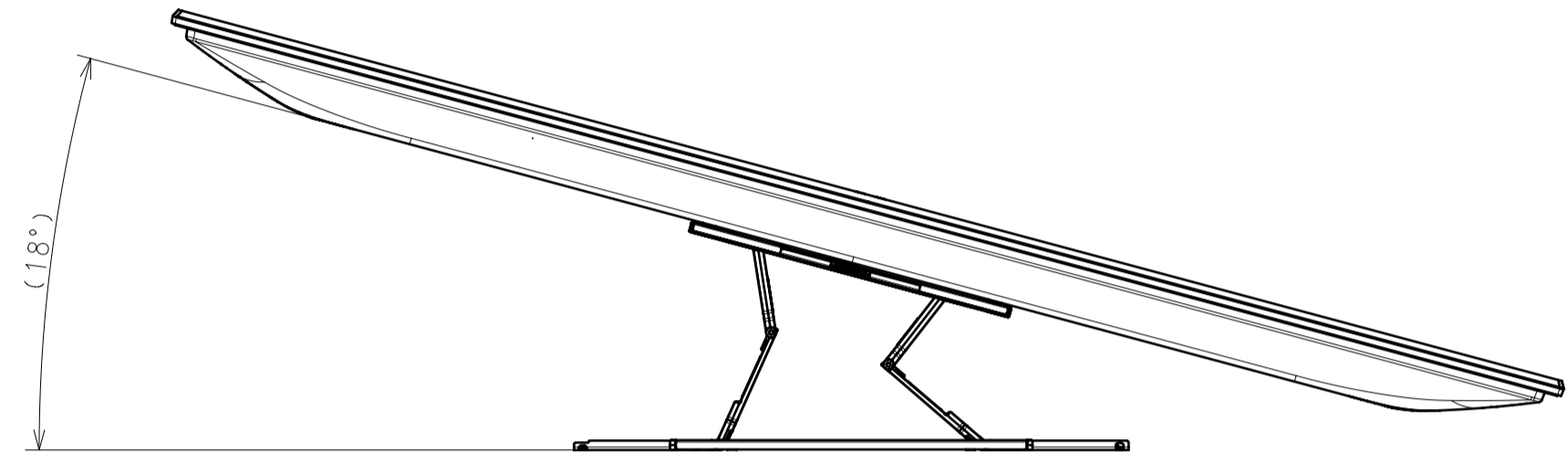
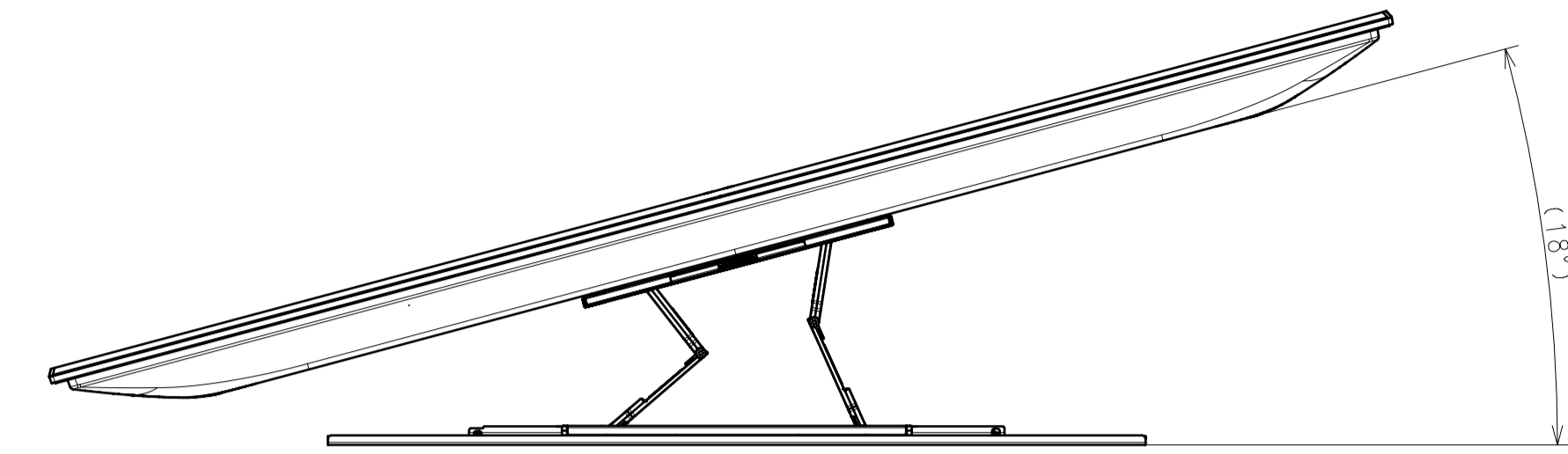
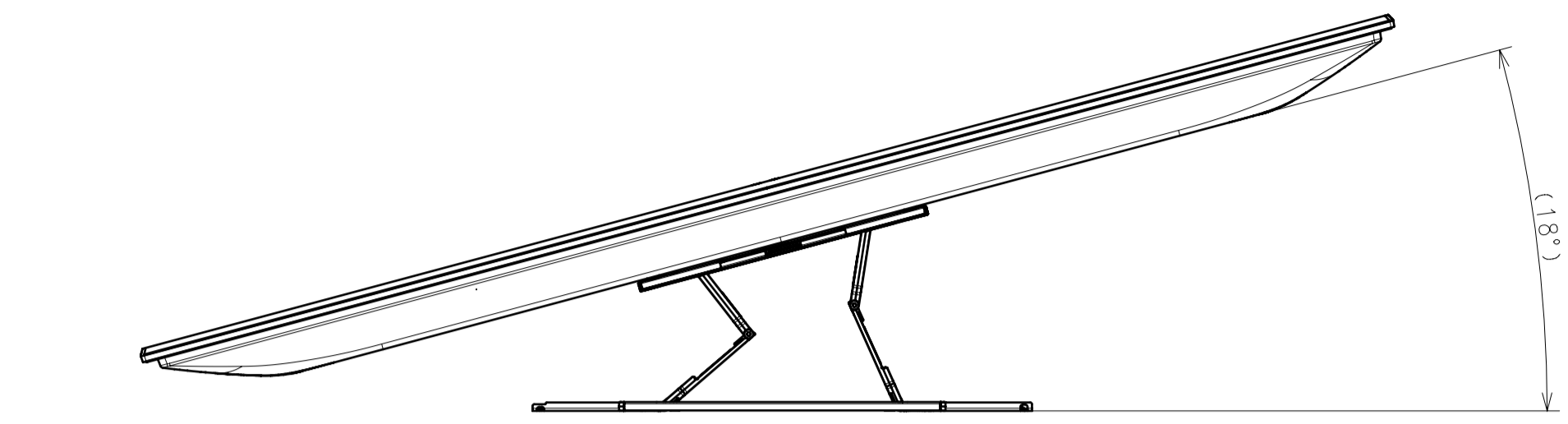
SLIM



DESCRIPTION 1	LEGAL OWNER	SCALE
65(X75WL) EXTERIOR VIEW	Sony Corporation	1:5
DESCRIPTION 2	PART NO.	SHEET/PAGES
65(X75WL) EXTERIOR VIEW		4 / 5

SU-WL 850

SU-WL 855 WITH LATERAL SHAFT BRACKET



DESCRIPTION 1	LEGAL OWNER	SCALE
65(X75WL) EXTERIOR VIEW	Sony Corporation	1:7
DESCRIPTION 2	PART NO.	SHEET/PAGES
65(X75WL) EXTERIOR VIEW		5 / 5