

Pneumatic and Electric Foot Pedals



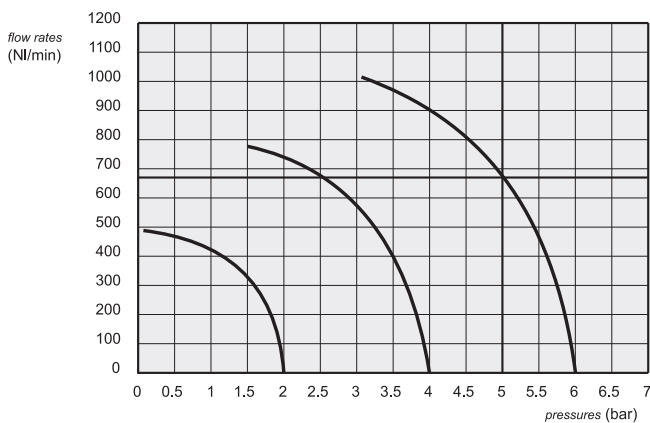
- 5/2 spool valve - it can be used as 3/2 or 2/2 by inserting stop plug in the unused ports
- 1/4" NPT threaded ports BSP version available on request
- With or without pedal guard
- Mono-stable and detented
- Additional versions available with micro-valves, progressive flow rate valves and with special lateral security switch valves.



Pneumatic & Electric Characteristics

Materials

Body: aluminium 11S
Springs: stainless steel
Seals: NBR
Spool: nickel plated aluminium
Internal parts: brass OT58
Protection cover: shock resistant plastic material



Electric pedal

Lifetime (cycles)	10.000.000
Contact resistance	25 mΩ
Electrical protection degree	IP 54
Contacts	1 NO + 1 NC rapid switch

utilization power, according to IEC 337-1

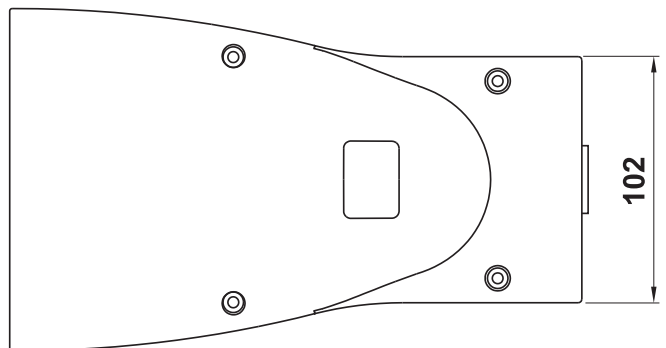
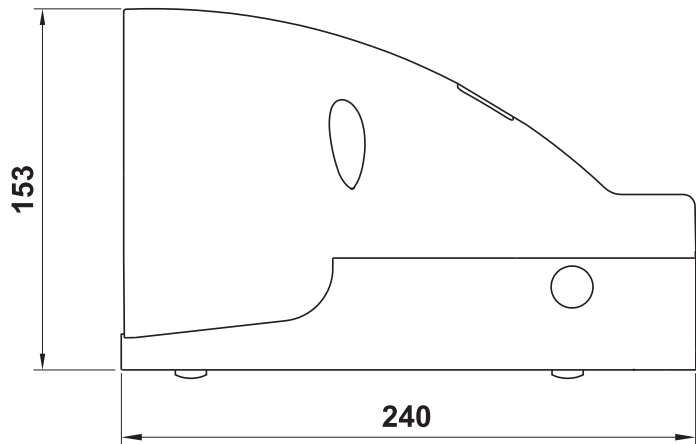
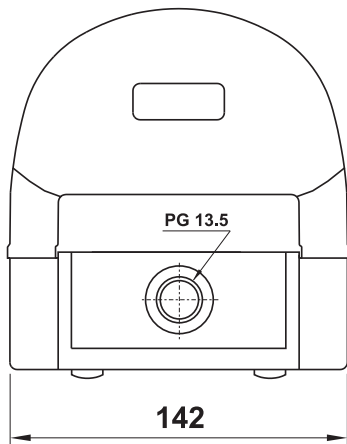
UL Listed compliant electrical components

DC		
V	24	220
A	6	0.1

AC				
V	24	220	380	500
A	10	10	8	6

Nominal diameter	7.5 mm (0.3 in)
Ports	1/4" NPT
Temperature range	max +60°C (140°F)
Operating pressure	2 ... 10 bar (30 ... 145 PSI) 0.2 ... 1 MPa
Fluid	50μ filtered, lubricated or non lubricated air

PEDAL WITH ELECTRIC CONTACT N/C-N/O



Cover colour: **YELLOW**
On request: **ORANGE** and **GREY**

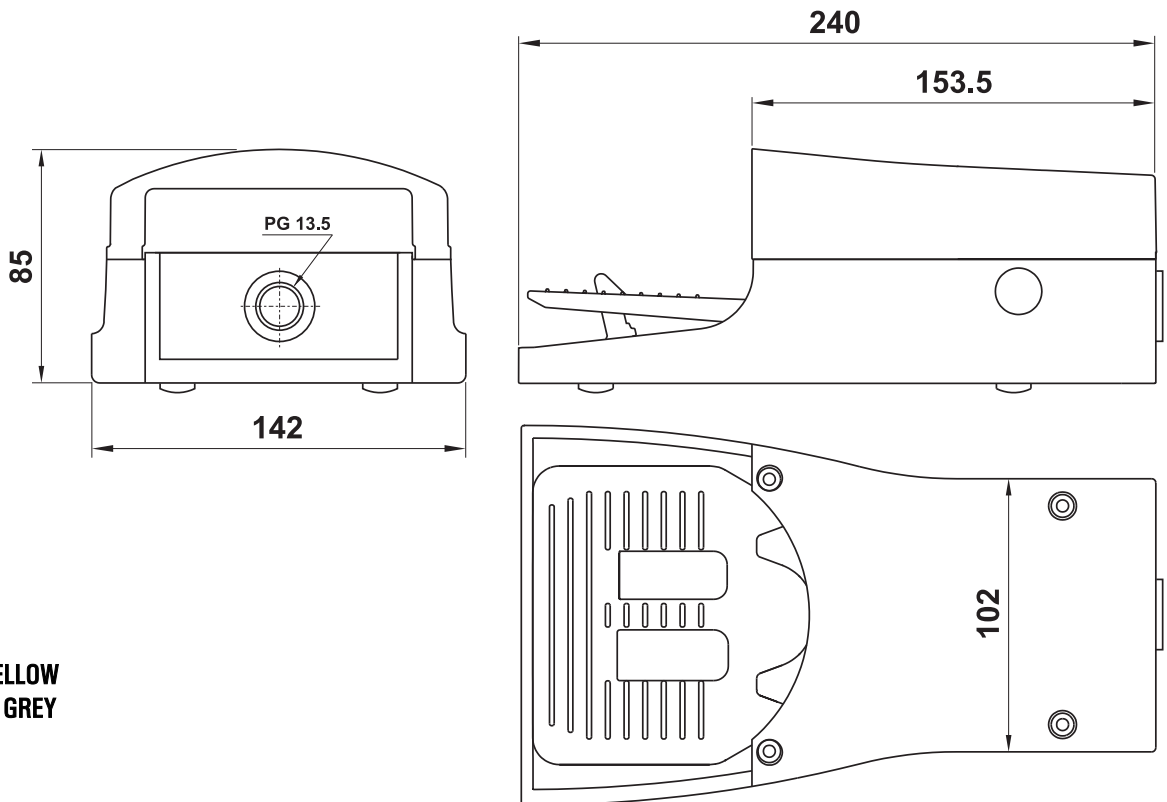
code	part number	description	symbol
01.087.4N	PED EM	Mono-stable pedal with electric contact N/C-N/O, with pedal guard	
01.115.4N	PED EB	Bi-stable pedal with electric contact N/C-N/O, with pedal guard	
01.088.4N	PED ES	Mono-stable pedal with electric contact N/C-N/O, with pedal guard and safety feature*	
01.127.4N	PED EBS	Bi-stable pedal with electric contact N/C-N/O, with pedal guard and safety feature*	

* **Safety feature:** to avoid accidental operation the pedal must be fully depressed. Press on the pedal with the whole shoe surface.

Electric pedals



PEDAL WITH ELECTRIC CONTACT N/C-N/O - without pedal guard

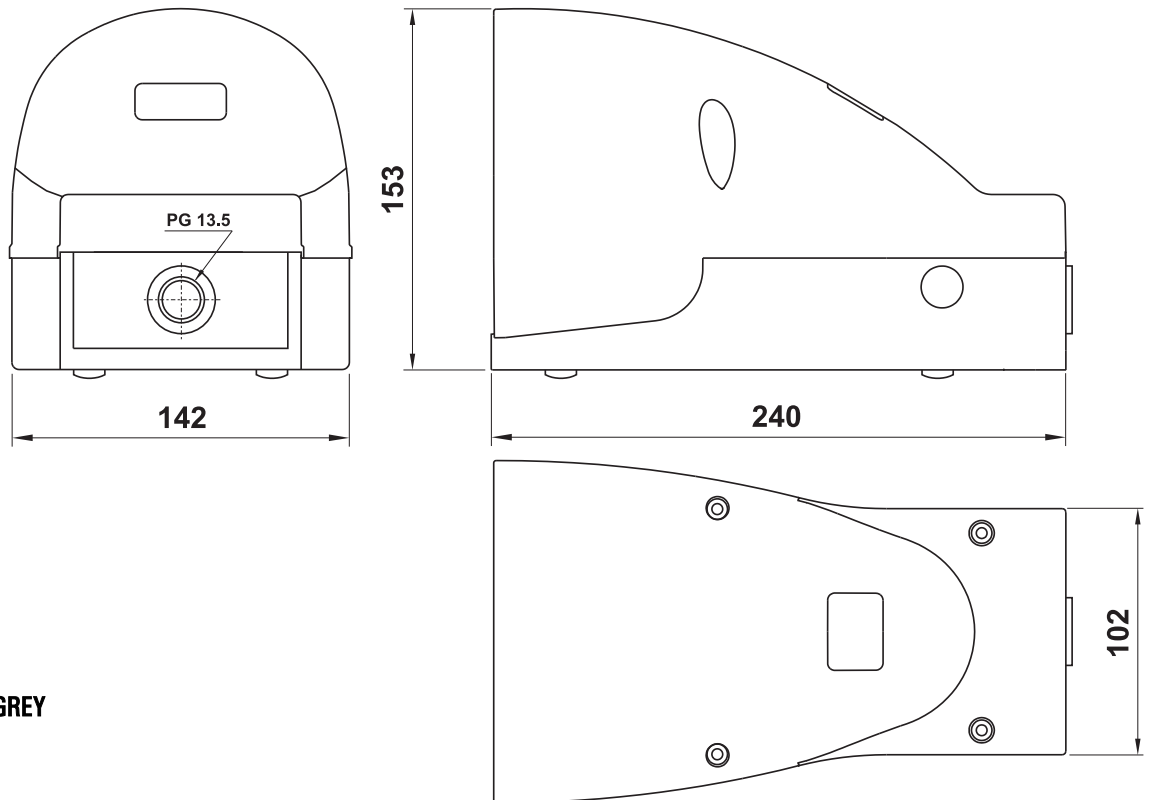
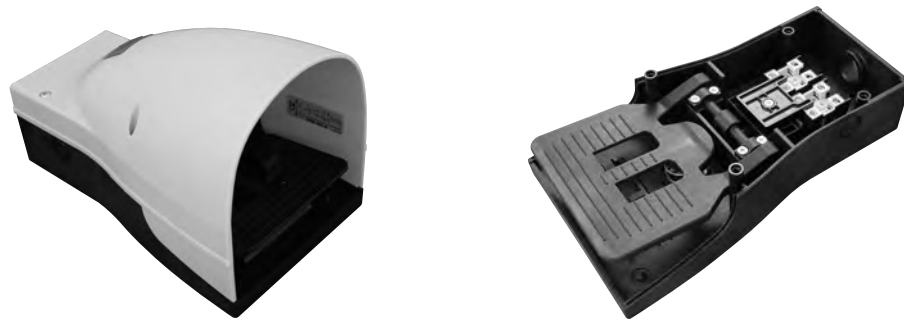


Standard cover colour: **YELLOW**
On request: **ORANGE** and **GREY**

code	part number	description		symbol
01.143.4N	PEDS EM	Mono-stable pedal with electric contact N/C-N/O, without pedal guard		
01.144.4N	PEDS EB	yellow	Bi-stable pedal with electric contact N/C-N/O, without pedal guard	
01.161.4N	PEDS EBR	red		
01.145.4N	PEDS ES	Mono-stable pedal with electric contact N/C-N/O, without pedal guard, with safety feature*		
01.146.4N	PEDS EBS	Bi-stable pedal with electric contact N/C-N/O, without pedal guard, with safety feature*		

* **Safety feature:** to avoid accidental operation the pedal must be fully depressed. Press on the pedal with the whole shoe surface.

PEDAL WITH DOUBLE ELECTRIC CONTACT N/C-N/O



Cover colour: **YELLOW**
On request: **ORANGE** and **GREY**

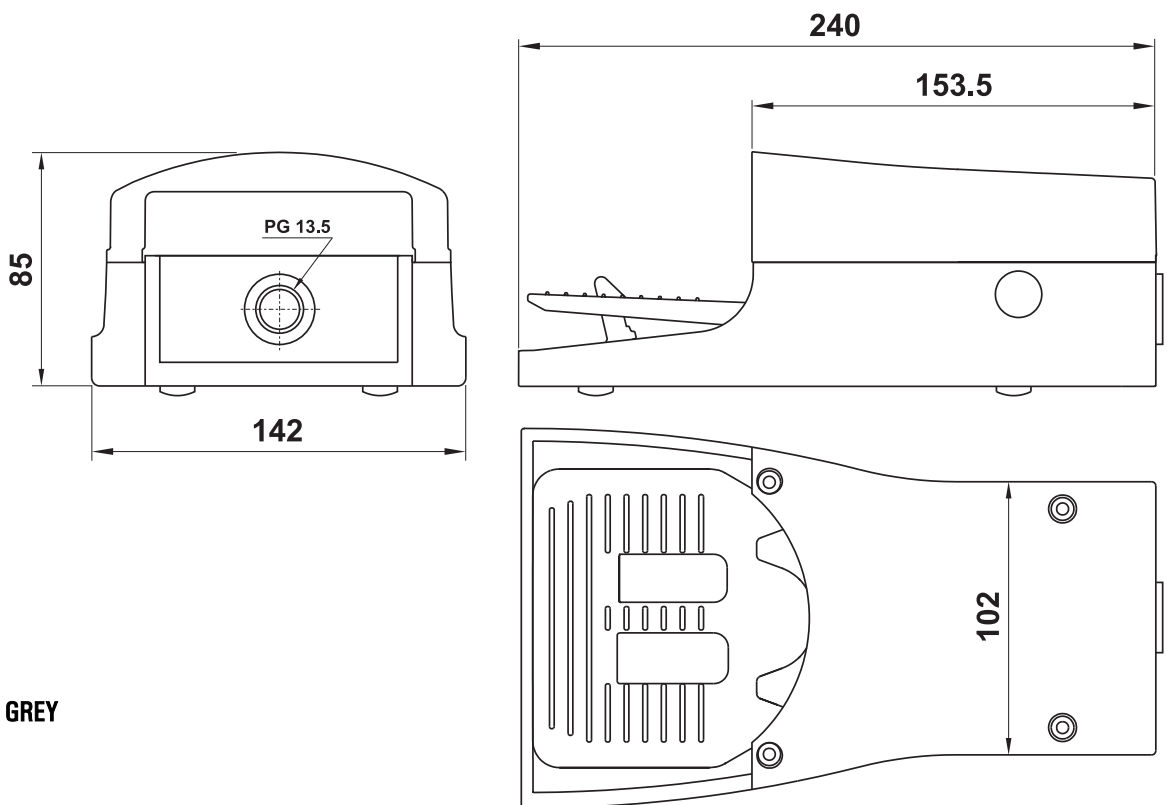
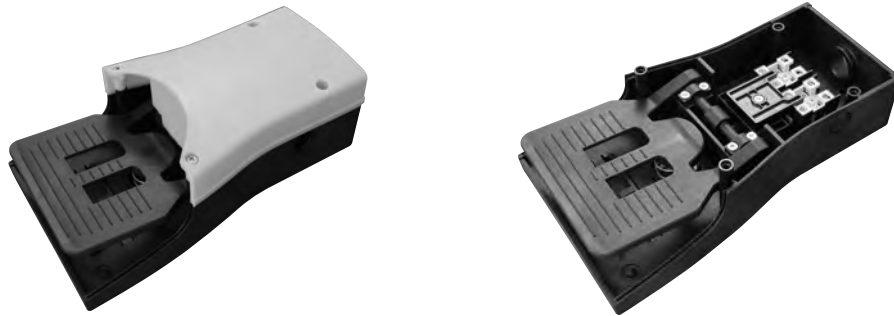
code	part number	description	symbol
01.148.4N	PED EEM	Mono-stable pedal with double electric contact N/C-N/O, with pedal guard	
01.149.4N	PED EEB	Bi-stable pedal with double electric contact N/C-N/O, with pedal guard	
01.150.4N	PED EES	Mono-stable pedal with double electric contact N/C-N/O, with pedal guard and safety feature*	
01.151.4N	PED EEBS	Bi-stable pedal with double electric contact N/C-N/O, with pedal guard and safety feature*	

* **Safety feature:** to avoid accidental operation the pedal must be fully depressed. Press on the pedal with the whole shoe surface.

Electric pedals



PEDAL WITH DOUBLE ELECTRIC CONTACT N/C-N/O - without pedal guard



Cover colour: **YELLOW**
On request: **ORANGE** and **GREY**

code	part number	description	symbol
01.152.4N	PEDS EEM	Mono-stable pedal with double electric contact N/C-N/O, without pedal guard	
01.153.4N	PEDS EEB	Bi-stable pedal with double electric contact N/C-N/O, without pedal guard	
01.154.4N	PEDS EES	Mono-stable pedal with double electric contact N/C-N/O, without pedal guard, with safety feature*	
01.155.4N	PEDS EEBS	Bi-stable pedal with double electric contact N/C-N/O, without pedal guard, with safety feature*	

* **Safety feature:** to avoid accidental operation the pedal must be fully depressed. Press on the pedal with the whole shoe surface.

ELECTRIC MINI-PEDAL

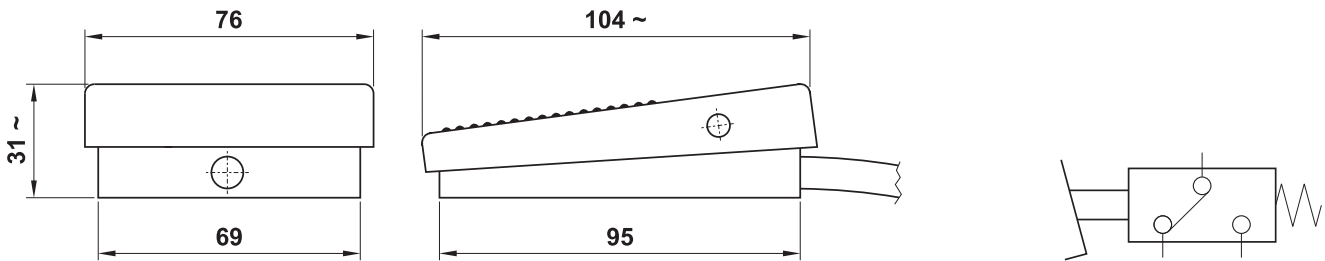
electric pedal with cable 2 m

ORDER CODE

01.158.4



Pedal body: shock resistant plastic material

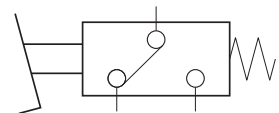


electric pedal without cable

ORDER CODE

01.159.4

Pedal body: shock resistant plastic material



Lifetime (cycles)	5.000.000
Rating	2 A 24 V ~ 6(3) A 250 V ~
Electrical protection degree	IP 43
Actuating force	20 N

Pedal valves

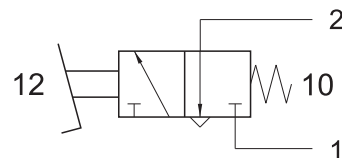


MINI-PEDAL PNEUMATIC VALVE

mono-stable pedal with microvalve 3/2 N/C

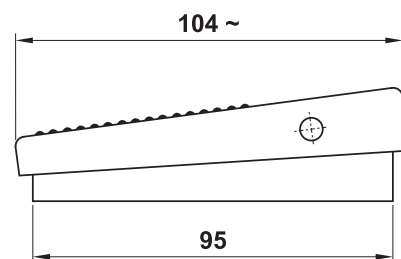
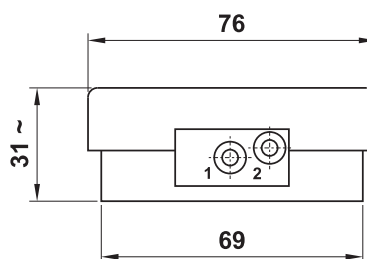
ORDER CODE

PED 304 M



Pedal body: shock resistant plastic material

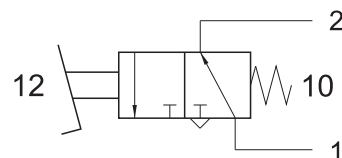
Ports	5/32" or ø4 mm push-in
Nominal flow rate at 6 bar (87 PSI)	100 NI/min (0.1 Cv)



mono-stable pedal with microvalve 3/2 NO

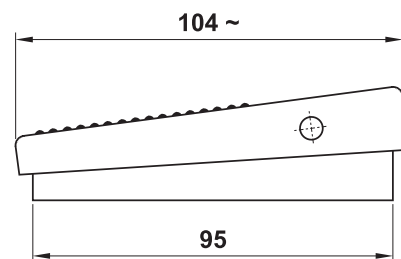
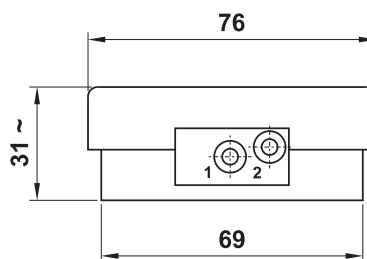
ORDER CODE

PED 314 M



Pedal body: shock resistant plastic material

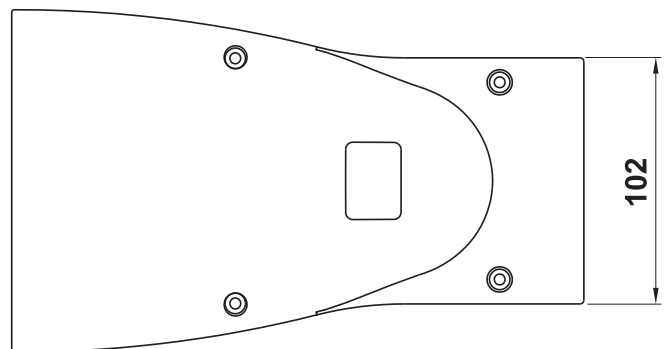
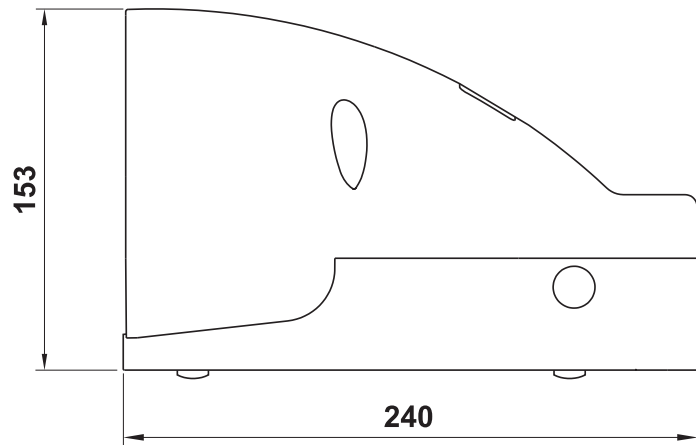
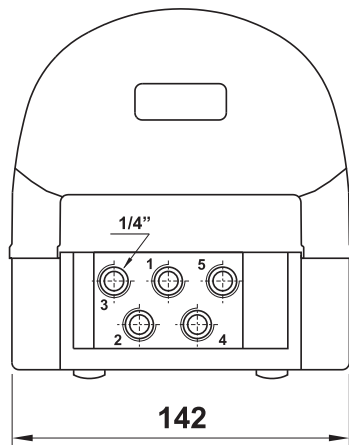
Ports	5/32" or ø4 mm push-in
Nominal flow rate at 6 bar (87 PSI)	100 NI/min (0.1 Cv)



Pedal valves



PEDAL WITH 5/2 1/4" NPT SERVO-PILOTED SPOOL VALVE WITH GUARD



Cover colour: **YELLOW**
On request: **ORANGE** and **GREY**

code	part number	description	symbol
US01.052.4N	PED 502 M	Mono-stable pedal valve 5/2 1/4" NPT with pedal guard	
US01.053.4N	PED 502 B	Bi-stable pedal valve 5/2 1/4" NPT with pedal guard	
US01.072.4N	PED 502 S	Mono-stable pedal valve 5/2 1/4" NPT with pedal guard and safety feature*	
US01.126.4N	PED 502 BS	Bi-stable pedal valve 5/2 1/4" NPT with pedal guard and safety feature*	

* **Safety feature:** to avoid accidental operation the pedal must be fully depressed. Press on the pedal with the whole shoe surface.

Spare parts

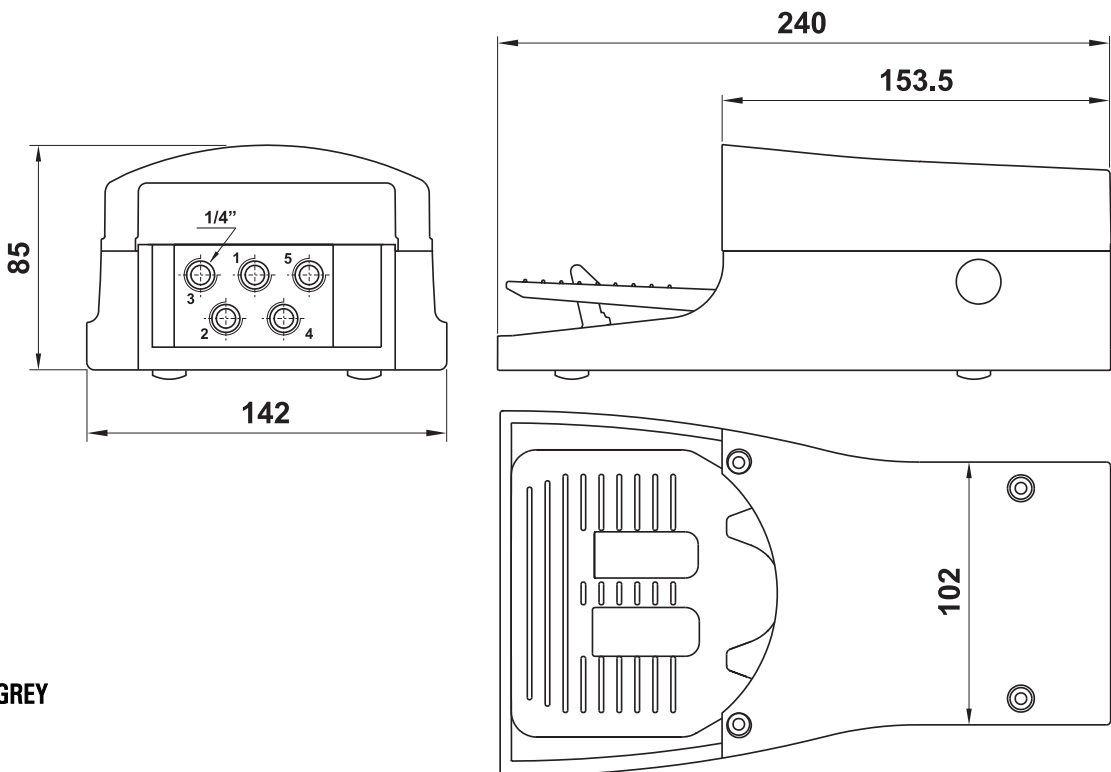
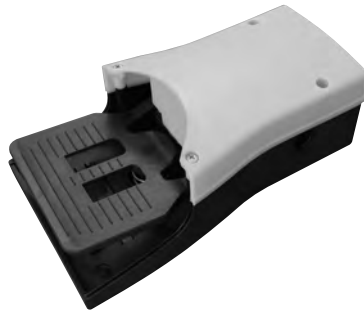
US01.051.3 : 5/2 1/4" NPT valve for pedal

01.023.2 : seals kit for 5/2 pedal valve

Pedal valves



PEDAL WITH 5/2 1/4" NPT SERVO-PILOTED SPOOL VALVE - without pedal guard



Cover colour: **YELLOW**
On request: **ORANGE** and **GREY**

code	part number	description	symbol
US01.080.4N	PEDS 502 M	Mono-stable pedal valve 5/2 1/4" NPT without pedal guard	
US01.081.4N	PEDS 502 B	Bi-stable pedal valve 5/2 1/4" NPT without pedal guard	
US01.128.4N	PEDS 502 S	Mono-stable pedal valve 5/2 1/4" NPT without pedal guard, with safety feature*	
US01.129.4N	PEDS 502 BS	Bi-stable pedal valve 5/2 1/4" NPT without pedal guard, with safety feature*	

* **Safety feature:** to avoid accidental operation the pedal must be fully depressed. Press on the pedal with the whole shoe surface.

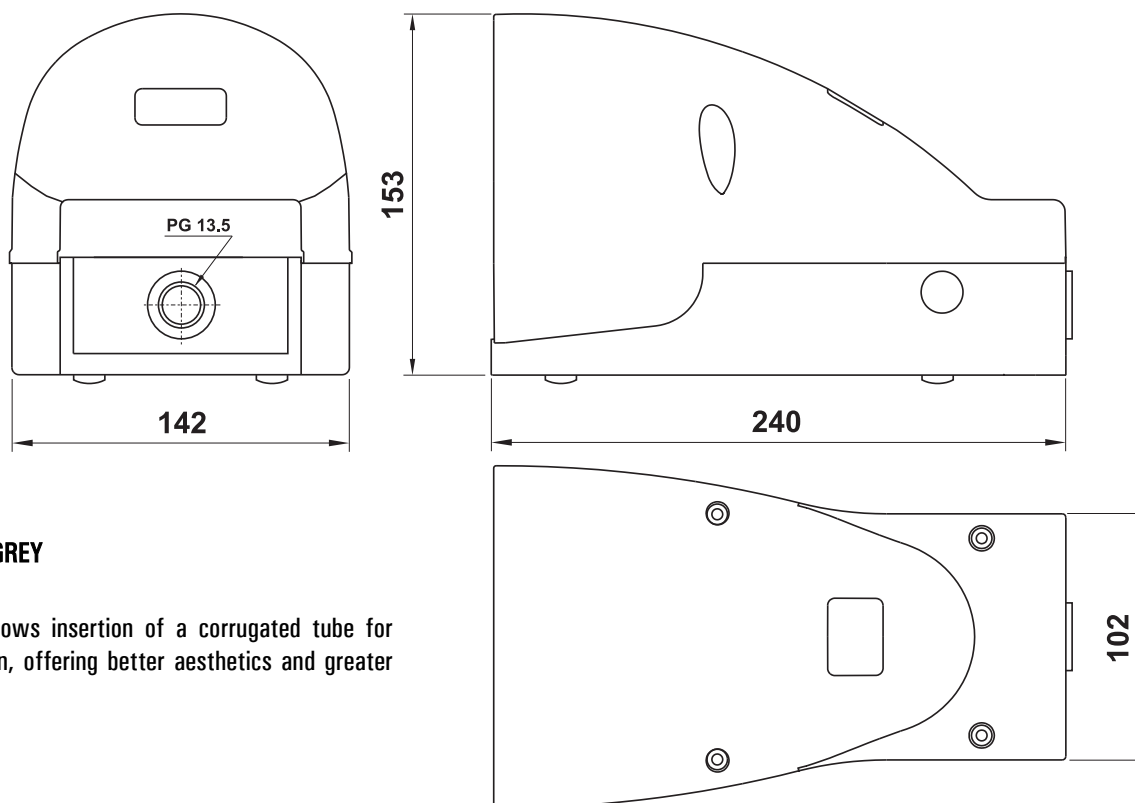
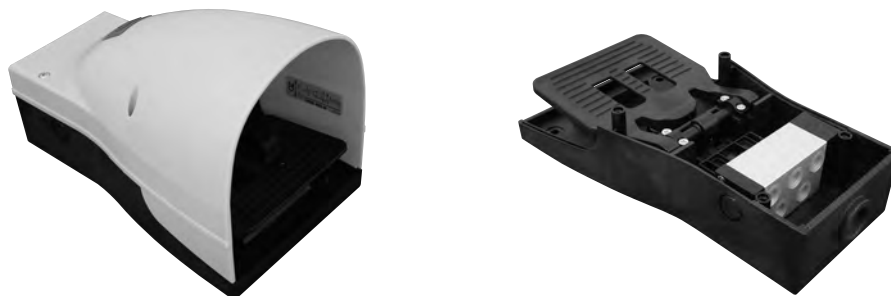
Spare parts

US01.051.3 : 5/2 1/4" NPT valve for pedal
01.023.2 : seals kit for 5/2 pedal valve

Pedal valves



PEDAL WITH 5/2 1/4" NPT SERVO-PILOTED SPOOL VALVE WITH GUARD - valve in retracted position



Cover colour: **YELLOW**
On request: **ORANGE** and **GREY**

The retracted position allows insertion of a corrugated tube for pneumatic tube connection, offering better aesthetics and greater safety.

code	part number	description	symbol
US01.135.4N	PED 502 MA	Mono-stable pedal valve 5/2 1/4" NPT with pedal guard	
US01.136.4N	PED 502 BA	Bi-stable pedal valve 5/2 1/4" NPT with pedal guard	
US01.137.4N	PED 502 SA	Mono-stable pedal valve 5/2 1/4" NPT with pedal guard and safety feature*	
US01.138.4N	PED 502 BSA	Bi-stable pedal valve 5/2 1/4" NPT with pedal guard and safety feature*	

* **Safety feature:** to avoid accidental operation the pedal must be fully depressed. Press on the pedal with the whole shoe surface.

Spare parts

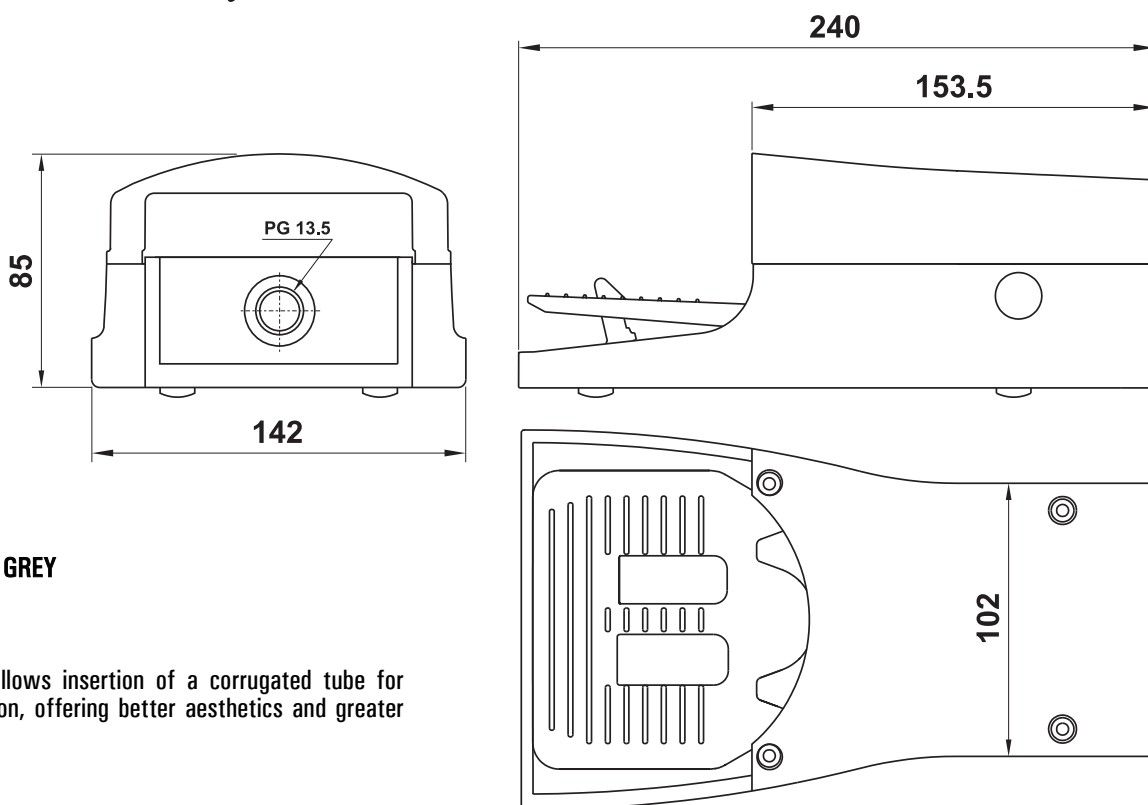
US01.051.3 : 5/2 1/4" NPT valve for pedal

01.023.2 : seals kit for 5/2 pedal valve

Pedal valves



PEDAL WITH 5/2 1/4" NPT SERVO-PILOTED SPOOL VALVE - valve in retracted position - without pedal guard



Cover colour: **YELLOW**
On request: **ORANGE** and **GREY**

The retracted position allows insertion of a corrugated tube for pneumatic tube connection, offering better aesthetics and greater safety.

code	part number	description	symbol
US01.139.4N	PEDS 502 MA	Mono-stable pedal valve 5/2 1/4" NPT without pedal guard	
US01.140.4N	PEDS 502 BA	Bi-stable pedal valve 5/2 1/4" NPT without pedal guard	
US01.141.4N	PEDS 502 SA	Mono-stable pedal valve 5/2 1/4" NPT without pedal guard, with safety feature*	
US01.142.4N	PEDS 502 BSA	Bi-stable pedal valve 5/2 1/4" NPT without pedal guard, with safety feature*	

* **Safety feature:** to avoid accidental operation the pedal must be fully depressed. Press on the pedal with the whole shoe surface.

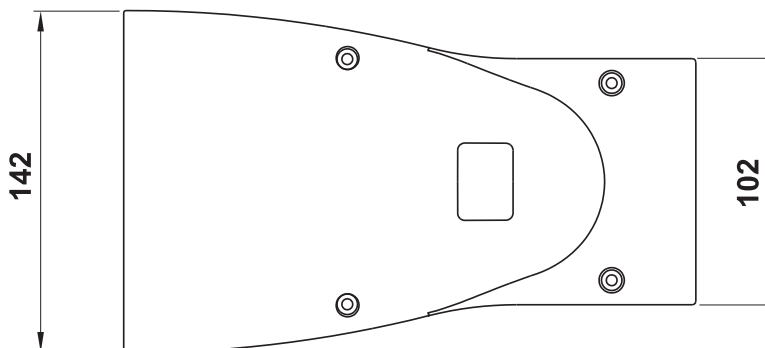
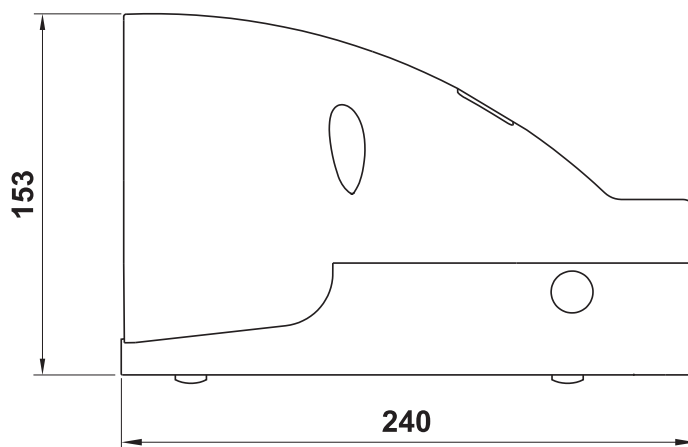
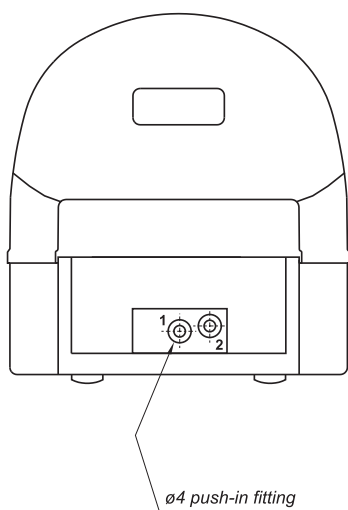
Spare parts

US01.051.3 : 5/2 1/4" NPT valve for pedal
01.023.2 : seals kit for 5/2 pedal valve

Pedal valves



PEDAL WITH 3/2 NC MICROVALVE , push-in fittings for 5/32" or ø4 mm tube



Cover colour: **YELLOW**
On request: **ORANGE** and **GREY**

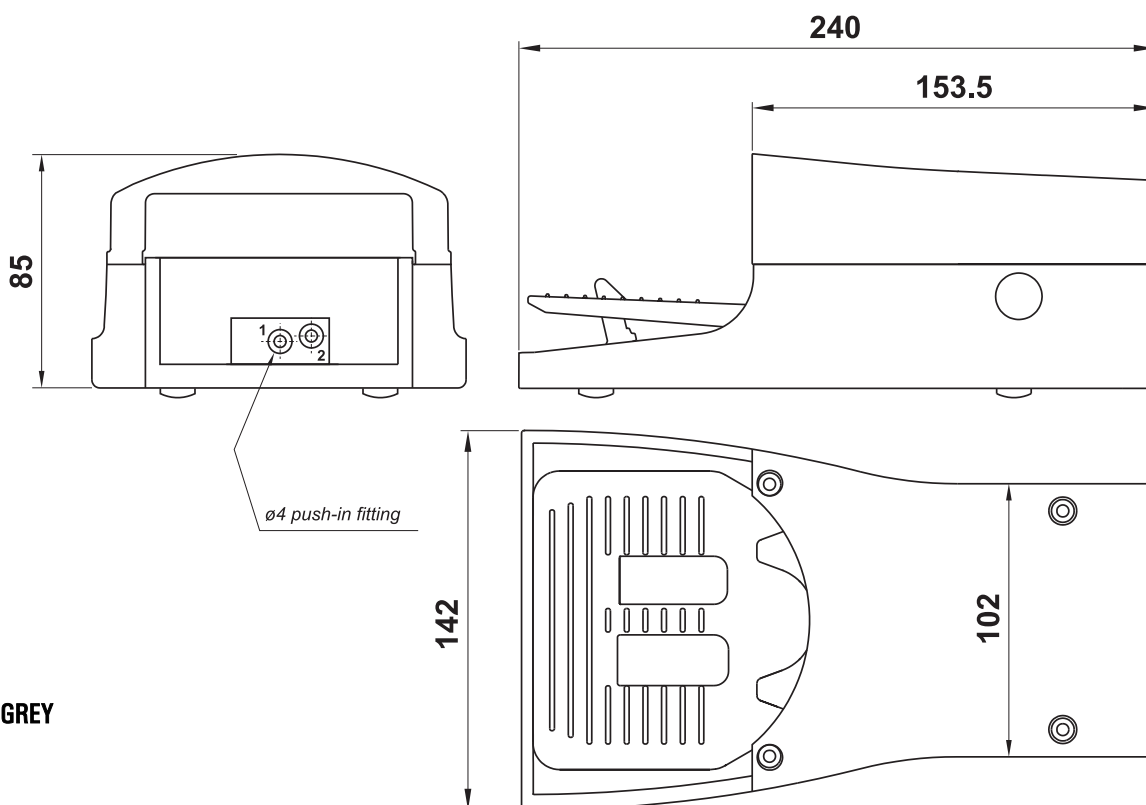
code	part number	description	symbol
08.197.4N	PEDN 304 M	Mono-stable pedal valve 3/2 N/C, push-in fittings 5/32" or ø4 mm, with pedal guard	
08.198.4N	PEDN 304 B	Bi-stable pedal valve 3/2 N/C, push-in fittings 5/32" or ø4mm, with pedal guard	
08.207.4N	PEDN 304 S	Mono-stable pedal valve 3/2 N/C, push-in fittings 5/32" or ø4 mm, with pedal guard and safety feature*	
08.209.4N	PEDN 304 BS	Bi-stable pedal valve 3/2 N/C, push-in fittings 5/32" or ø4 mm, with pedal guard and safety feature*	

* **Safety feature:** to avoid accidental operation the pedal must be fully depressed. Press on the pedal with the whole shoe surface.

Pedal valves



PEDAL WITH 3/2 N/C MICROVALVE, push-in fittings for 5/32" or ø4 mm tube - without pedal guard



Cover colour: **YELLOW**
On request: **ORANGE** and **GREY**

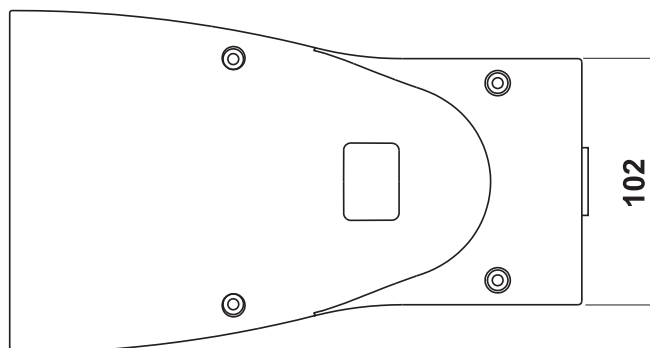
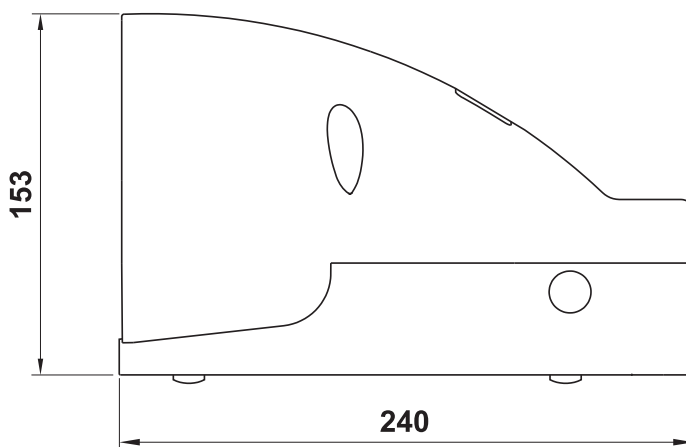
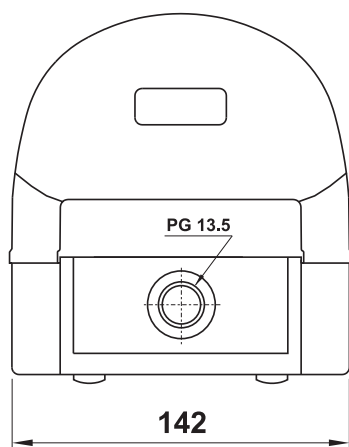
code	part number	description	symbol
08.307.4N	PEDS 304 M	Mono-stable pedal valve 3/2 N/C, push-in fittings 5/32" or ø4 mm, without pedal guard	
08.308.4N	PEDS 304 B	Bi-stable pedal valve 3/2 N/C, push-in fittings 5/32" or ø4 mm, without pedal guard	
08.309.4N	PEDS 304 S	Mono-stable pedal valve 3/2 N/C, push-in fittings 5/32" or ø4 mm, without pedal guard, with safety feature*	
08.310.4N	PEDS 304 BS	Bi-stable pedal valve 3/2 N/C, push-in fittings 5/32" or ø4 mm, without pedal guard, with safety feature*	

* **Safety feature:** to avoid accidental operation the pedal must be fully depressed. Press on the pedal with the whole shoe surface.

Pedal valves



PEDAL WITH 3/2 N/C MICROVALVE, push-in fittings for 5/32" or ø4 mm tube - valve in retracted position



Cover colour: **YELLOW**
On request: **ORANGE** and **GREY**

The retracted position allows insertion of a corrugated tube for pneumatic tube connection, offering better aesthetics and greater safety.

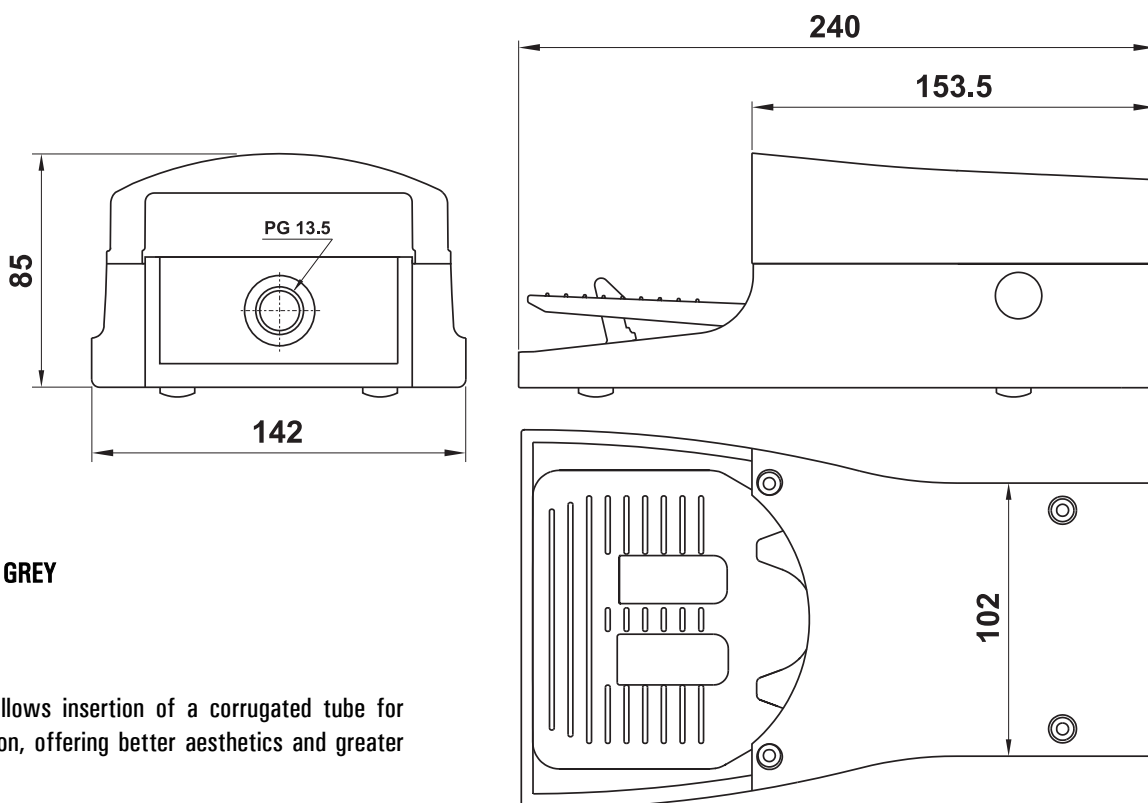
code	part number	description	symbol
08.311.4N	PEDN 304 MA	Mono-stable pedal valve 3/2 N/C, push-in fittings 5/32" NPT or ø4 mm, with pedal guard	
08.312.4N	PEDN 304 BA	Bi-stable pedal valve 3/2 N/C, push-in fittings 5/32" NPT or ø4 mm, with pedal guard	
08.313.4N	PEDN 304 SA	Mono-stable pedal valve 3/2 N/C, push-in fittings 5/32" NPT or ø4 mm, with pedal guard and safety feature*	
08.314.4N	PEDN 304 BSA	Bi-stable pedal valve 3/2 N/C, push-in fittings 5/32" NPT or ø4 mm, with pedal guard and safety feature*	

* **Safety feature:** to avoid accidental operation the pedal must be fully depressed. Press on the pedal with the whole shoe surface.

Pedal valves



PEDAL WITH 3/2 NC MICROVALVE, push-in fittings for 5/32" or ϕ 4 mm tube - valve in retracted position - without pedal guard



Cover colour: **YELLOW**
On request: **ORANGE** and **GREY**

The retracted position allows insertion of a corrugated tube for pneumatic tube connection, offering better aesthetics and greater safety.

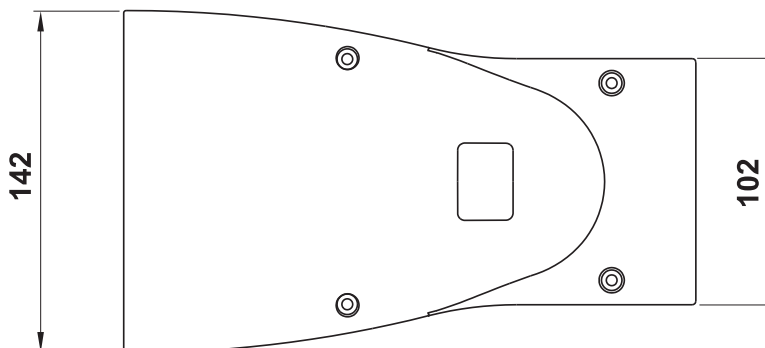
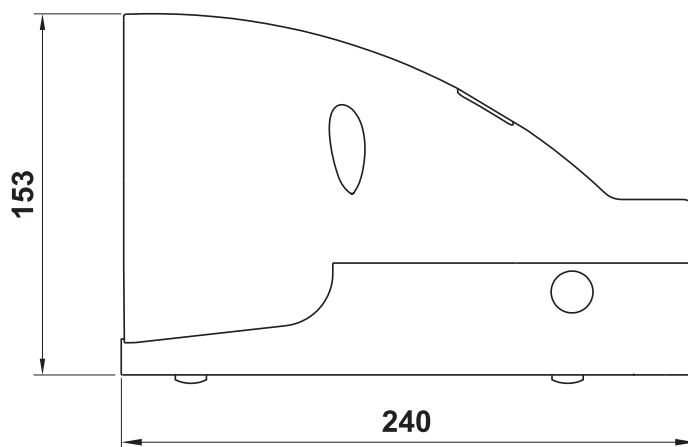
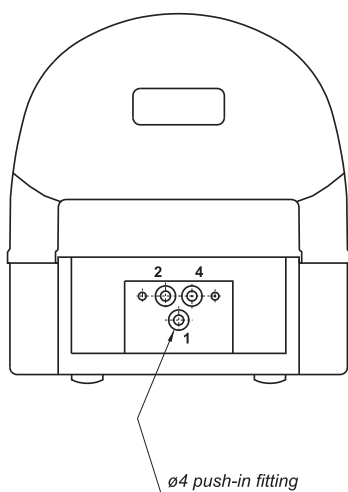
code	part number	description	symbol
08.315.4N	PEDS 304 MA	Mono-stable pedal valve 3/2 N/C, push-in fittings 5/32" NPT or ϕ 4 mm, without pedal guard	
08.316.4N	PEDS 304 BA	Bi-stable pedal valve 3/2 N/C, push-in fittings 5/32" NPT or ϕ 4 mm, without pedal guard	
08.317.4N	PEDS 304 SA	Mono-stable pedal valve 3/2 N/C, push-in fittings 5/32" NPT or ϕ 4 mm, without pedal guard, with safety feature*	
08.318.4N	PEDS 304 BSA	Bi-stable pedal valve 3/2 N/C, push-in fittings 5/32" NPT or ϕ 4 mm, without pedal guard, with safety feature*	

* **Safety feature:** to avoid accidental operation the pedal must be fully depressed. Press on the pedal with the whole shoe surface.

Pedal valves



PEDAL WITH 5/2 MICROVALVE, push-in fittings for 5/32" or ø4 mm tube



Cover colour: **YELLOW**
On request: **ORANGE** and **GREY**

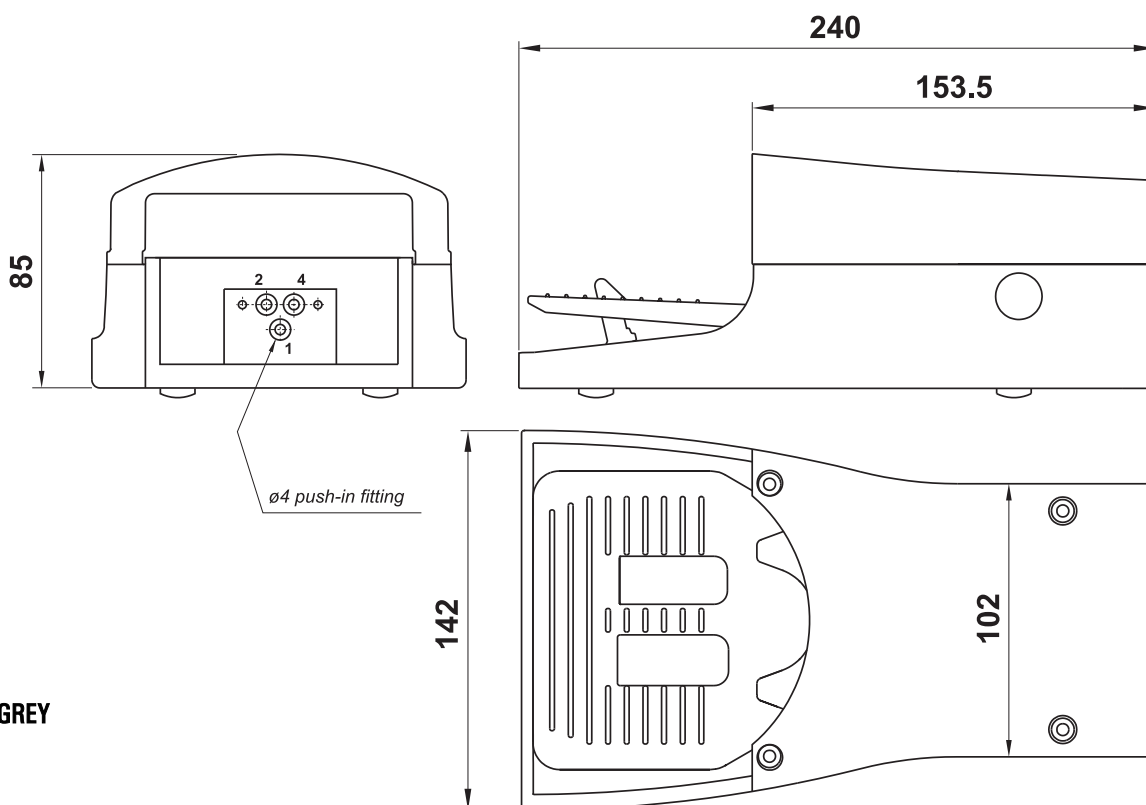
code	part number	description	symbol
08.303.4N	PED 504 M	Mono-stable pedal valve 5/2, push-in fittings 5/32" NPT or ø4 mm, with pedal guard	
08.304.4N	PED 504 B	Bi-stable pedal valve 5/2, push-in fittings 5/32" NPT or ø4 mm, with pedal guard	
08.305.4N	PED 504 S	Mono-stable pedal valve 5/2, push-in fittings 5/32" NPY or ø4 mm, with pedal guard and safety feature*	
08.306.4N	PED 504 BS	Bi-stable pedal valve 5/2, push-in fittings 5/32" NPT or ø4 mm, with pedal guard and safety feature*	

* **Safety feature:** to avoid accidental operation the pedal must be fully depressed. Press on the pedal with the whole shoe surface.

Pedal valves



PEDAL WITH 5/2 MICROVALVE, push-in fittings for 5/32" or ϕ 4 mm tube - without pedal guard



Cover colour: **YELLOW**
On request: **ORANGE** and **GREY**

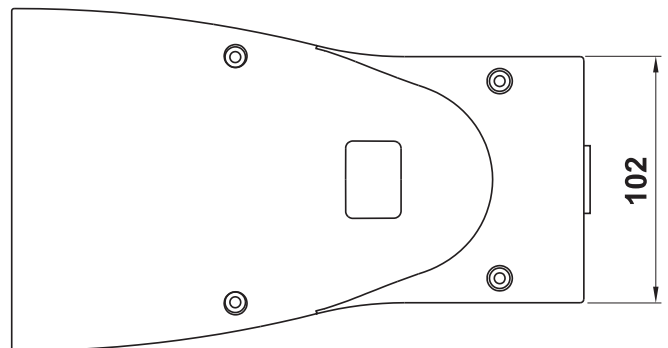
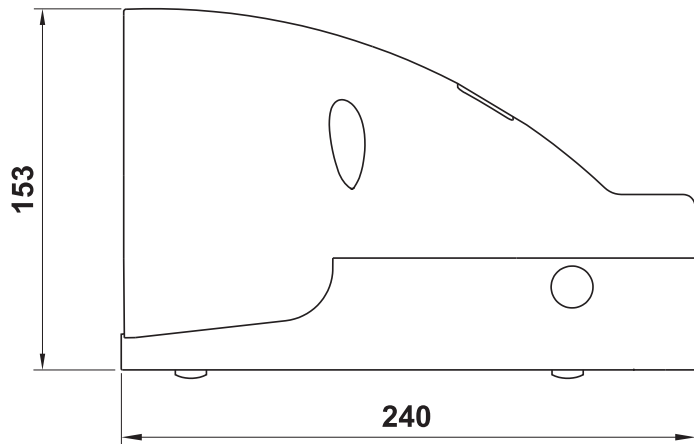
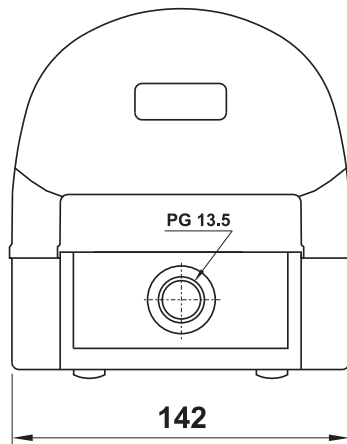
code	part number	description	symbol
08.319.4N	PEDS 504 M	Mono-stable pedal valve 5/2, push-in fittings 5/32" NPT or ϕ 4 mm, without pedal guard	
08.320.4N	PEDS 504 B	Bi-stable pedal valve 5/2, push-in fittings 5/32" NPT or ϕ 4 mm, without pedal guard	
08.321.4N	PEDS 504 S	Mono-stable pedal valve 5/2, push-in fittings 5/32" NPT or ϕ 4 mm, without pedal guard, with safety feature*	
08.322.4N	PEDS 504 BS	Bi-stable pedal valve 5/2, push-in fittings 5/32" NPT or ϕ 4 mm, without pedal guard, with safety feature*	

* **Safety feature:** to avoid accidental operation the pedal must be fully depressed. Press on the pedal with the whole shoe surface.

Pedal valves



PEDAL WITH 5/2 MICROVALVE, push-in fittings for 5/32" or ø4 mm tube - valve in retracted position



Cover colour: **YELLOW**
On request: **ORANGE** and **GREY**

The retracted position allows insertion of a corrugated tube for pneumatic tube connection, offering better aesthetics and greater safety.

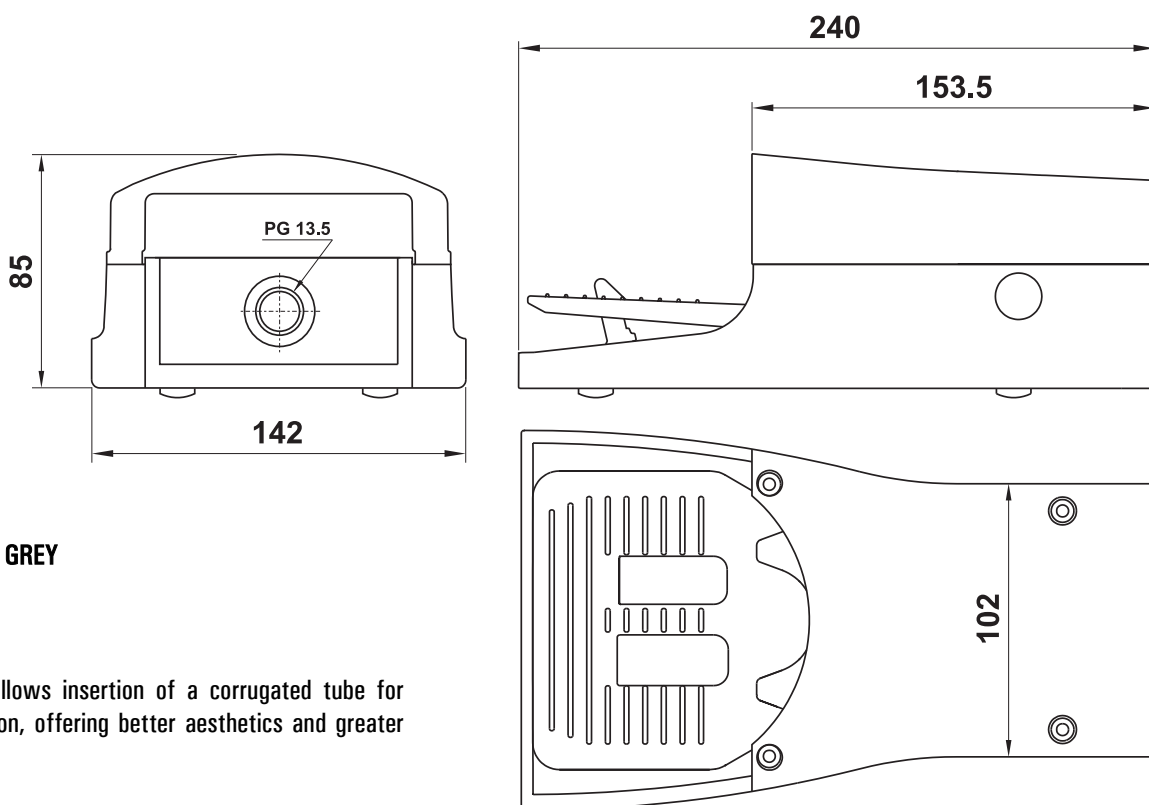
code	part number	description	symbol
08.323.4N	PED 504 MA	Mono-stable pedal valve 5/2, push-in fittings 5/32" NPT or ø4 mm, with pedal guard	
08.324.4N	PED 504 BA	Bi-stable pedal valve 5/2, push-in fittings 5/32" NPT or ø4 mm, with pedal guard	
08.325.4N	PED 504 SA	Mono-stable pedal valve 5/2, push-in fittings 5/32" NPT or ø4 mm, with pedal guard and safety feature*	
08.326.4N	PED 504 BSA	Bi-stable pedal valve 5/2, push-in fittings 5/32" NPT or ø4 mm, with pedal guard and safety feature*	

***Safety feature:** to avoid accidental operation the pedal must be fully depressed. Press on the pedal with the whole shoe surface.

Pedal valves



PEDAL WITH 5/2 MICROVALVE, push-in fittings for 5/32" or ø4 mm tube - valve in rear position - without protection cover



Cover colour: **YELLOW**
On request: **ORANGE** and **GREY**

The retracted position allows insertion of a corrugated tube for pneumatic tube connection, offering better aesthetics and greater safety.

code	part number	description	symbol
08.327.4N	PEDS 504 MA	Mono-stable pedal valve 5/2, push-in fittings 5/32" NPT or ø4 mm, without pedal guard	
08.328.4N	PEDS 504 BA	Bi-stable pedal valve 5/2, push-in fittings 5/32" NPT or ø4 mm, without pedal guard	
08.329.4N	PEDS 504 SA	Mono-stable pedal valve 5/2, push-in fittings 5/32" NPT or ø4 mm, without pedal guard, with safety feature*	
08.330.4N	PEDS 504 BSA	Bi-stable pedal valve 5/2, push-in fittings 5/32" NPT or ø4 mm, without pedal guard, with safety feature*	

***Safety feature:** to avoid accidental operation the pedal must be fully depressed. Press on the pedal with the whole shoe surface.

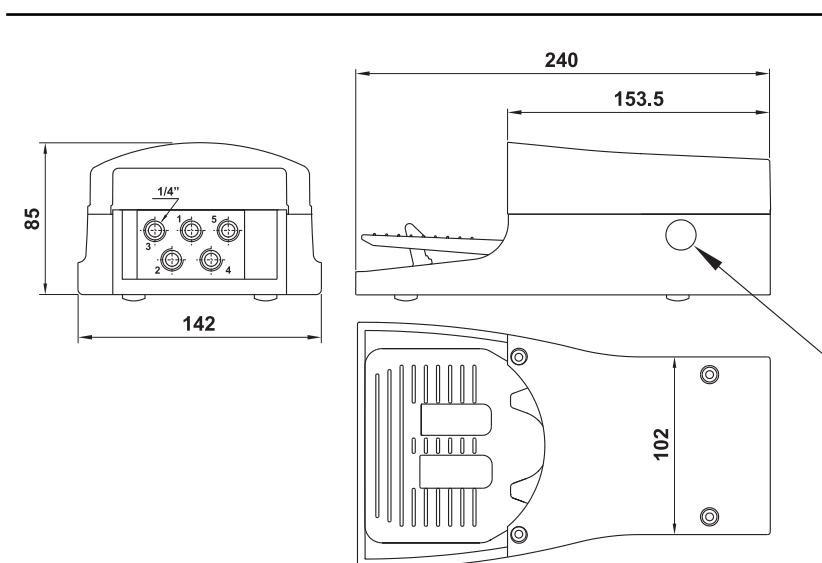
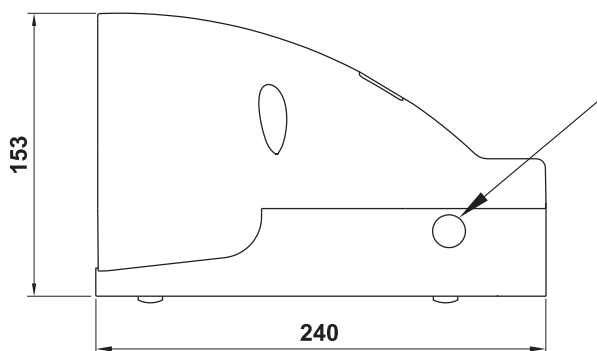
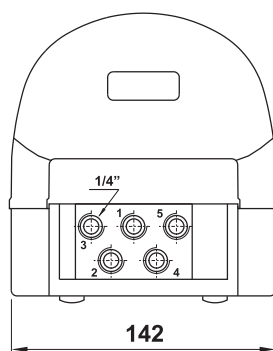
Pedal valves



PEDAL WITH 5/2 1/4" NPT SERVO-PILOTED SPOOL VALVE LATERAL SECURITY SWITCH (BSP version available on request)



Cover colour: **YELLOW**
On request: **ORANGE** and **GREY**



Security Switch: after connecting air supply, for proper operations, simply push the button to activate the valve. The same operation is necessary to re-start the valve if air supply is interrupted or missing.

code	part number	description	symbol
US01.125.4N	PED 502 SR	Mono-stable pedal valve 5/2 1/4" NPT with pedal guard, safety feature* and security switch	
US01.147.4N	PEDS 502 SR	Mono-stable pedal valve 5/2 1/4" NPT without pedal guard, with safety feature* and with security switch	

* **Safety feature:** to avoid accidental operation the pedal must be fully depressed. Press on the pedal with the whole shoe surface.

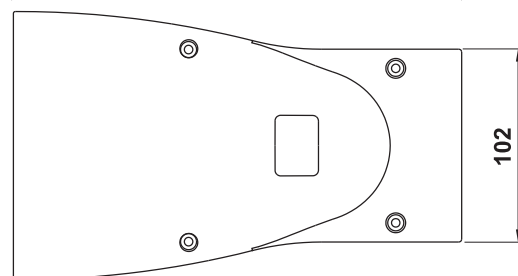
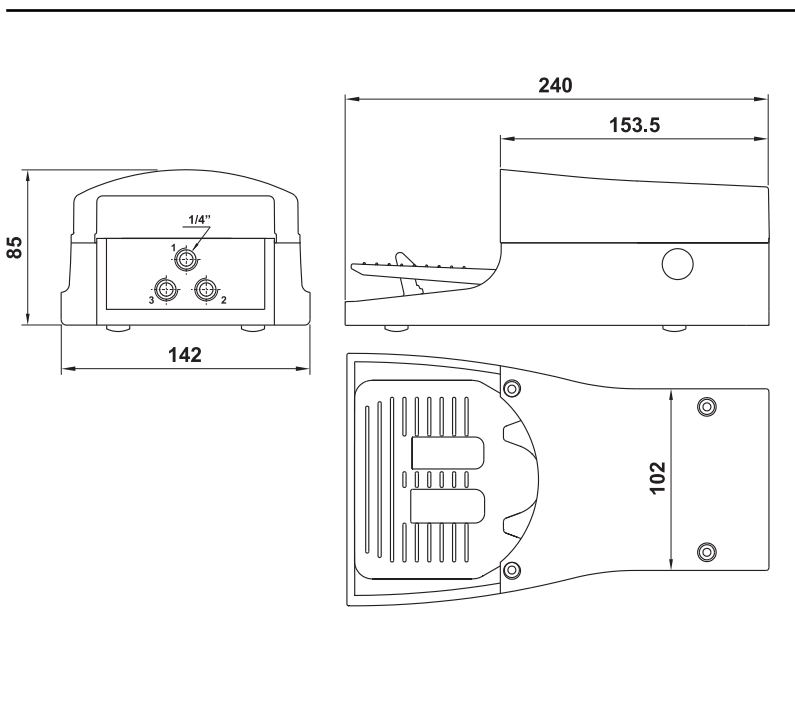
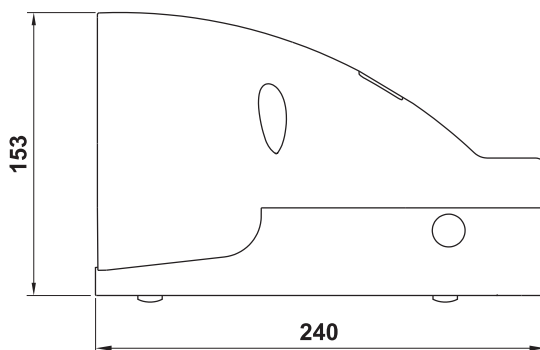
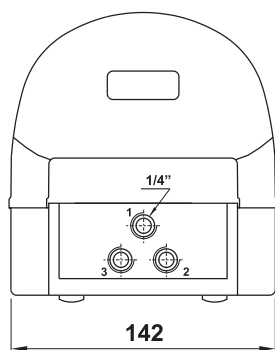
Pedal valves



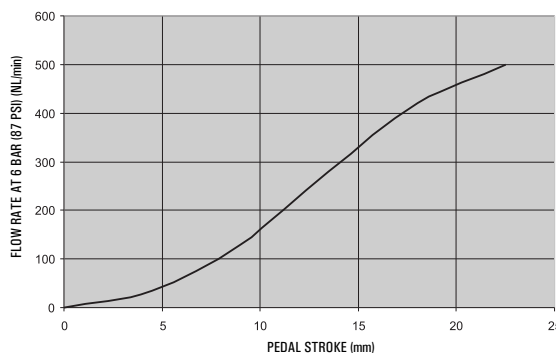
PEDAL WITH DIRECTLY ACTUATED VALVE WITH PROGRESSIVE FLOW RATE



Cover colour: **YELLOW**
On request: **ORANGE** and **GREY**



Valve flow rate related to pedal stroke



code	part number	description	symbol
US01.133.4N	PED 302 P	Mono-stable pedal valve 3/2 N/C 1/4" NPT progressive flow rate, with pedal guard	
US01.156.4N	PEDS 302 P	Mono-stable pedal valve 3/2 N/C 1/4" NPT progressive flow rate, without pedal guard	

Attention: the valve cannot be used as normally open.

DOUBLE PEDAL



The two pedals are connected by a connecting block (aluminium). The hand grip is made of chromed steel. $\phi 10$, height mm 700

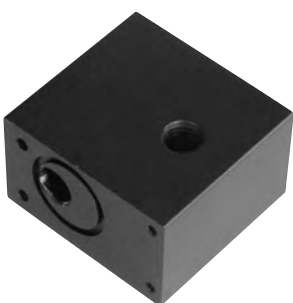
code	part number	description
US01.157.4N	PED 502 M + PEDS EB	Mono-stable pedal valve 5/2 1/4" NPT with pedal guard + bi-stable pedal with electric contact N/C-N/O, without pedal guard

Other combinations are possible upon request.

ACCESSORIES FOR DOUBLE PEDAL ASSEMBLY

kit connecting block

01.081.2



stick $\phi 10$; height mm 700

01.080.2

