

Microvalves



- NC and NO poppet microvalves
- Installation in any position
- Threaded ports or push-in fittings for 5/32" or $\phi 4$ mm tube
- Low actuating force
- Version with adaptor for panel mounting (with $\phi 22$ mm hole)
- Special versions on request



Materials

Body: aluminium 11S

Spring: stainless steel

Seals: NBR

Cartridge: nicked brass

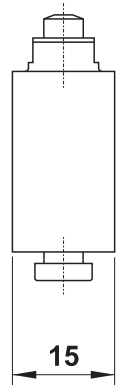
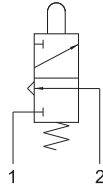
Internal parts: brass OT58

Nominal diameter	2.5 mm (0.1 in)
Nominal flow rate at 6 bar	100 NI/min (0.1 Cv)
Temperature range	max +60°C (140°F)
Operating pressure	2 ... 10 bar (30 ... 145 PSI) 0.2 ... 1 MPa
Actuating force	6 N
Fluid	50 μ filtered, lubricated or non lubricated air



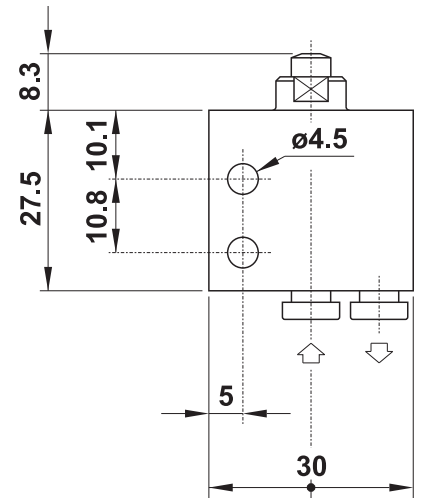
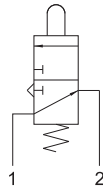
304 MA

3/2 N/C push-in fittings for 5/32" or $\varnothing 4$ mm tube (ports on the bottom), tappet



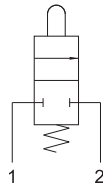
314 MA

3/2 N/O push-in fittings for 5/32" or $\varnothing 4$ mm tube (ports on the bottom), tappet



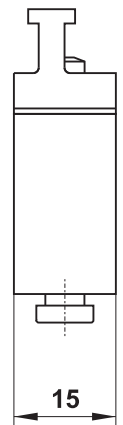
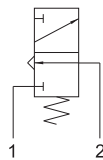
204 MA

2/2 N/C push-in fittings for 5/32" or $\varnothing 4$ mm tube (ports on the bottom), tappet



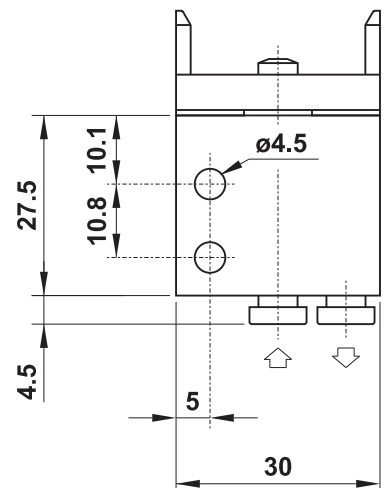
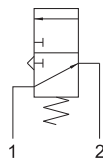
304 MB

3/2 N/C push-in fittings for 5/32" or $\varnothing 4$ mm tube (ports on the bottom), actuator adaptor for panel mounting



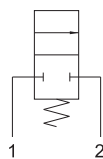
314 MB

3/2 N/O push-in fittings for 5/32" or $\varnothing 4$ mm tube (ports on the bottom), actuator adaptor for panel mounting



204 MB

2/2 N/C push-in fittings for 5/32" or $\varnothing 4$ mm tube (ports on the bottom), actuator adaptor for panel mounting

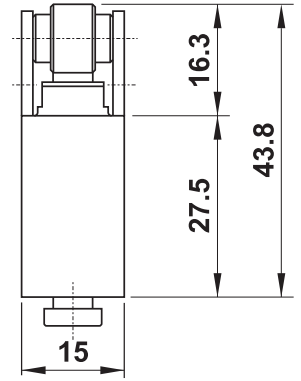
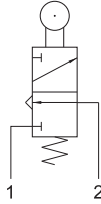


Microvalves



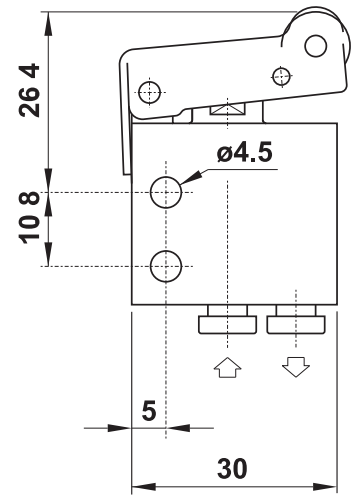
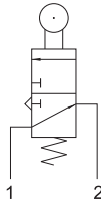
304 MR

3/2 N/C push-in fittings for 5/32" or $\varnothing 4$ mm tube (ports on the bottom), roller lever



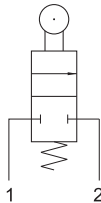
314 MR

3/2 N/O push-in fittings for 5/32" or $\varnothing 4$ mm tube (ports on the bottom), roller lever



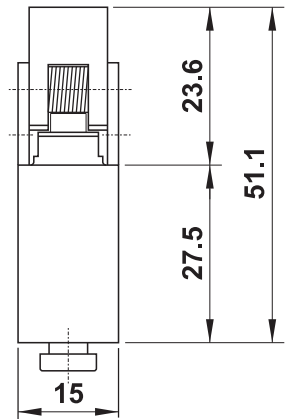
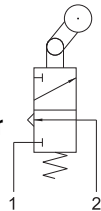
204 MR

2/2 N/C push-in fittings for 5/32" or $\varnothing 4$ mm tube (ports on the bottom), roller lever



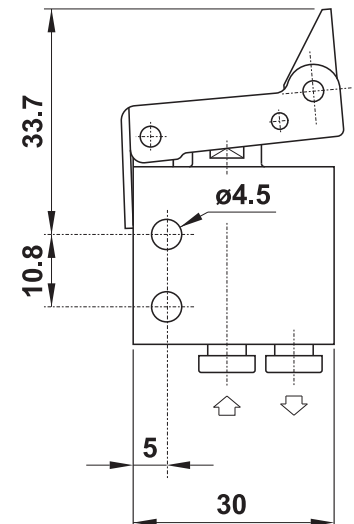
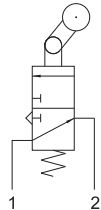
304 MS

3/2 N/C push-in fittings for 5/32" or $\varnothing 4$ mm tube (ports on the bottom), uni-directional lever



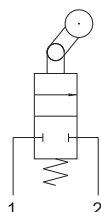
314 MS

3/2 N/O push-in fittings for 5/32" or $\varnothing 4$ mm tube (ports on the bottom), uni-directional lever



204 MS

2/2 N/C push-in fittings for 5/32" or $\varnothing 4$ mm tube (ports on the bottom), uni-directional lever

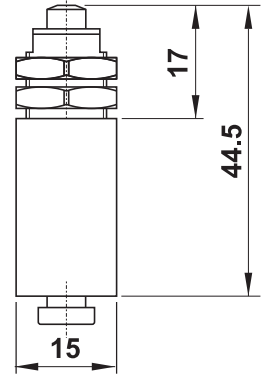
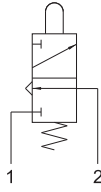


Microvalves



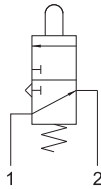
304 MV

3/2 N/C push-in fittings for 5/32" or $\phi 4$ mm tube (ports on the bottom), panel mount tappet



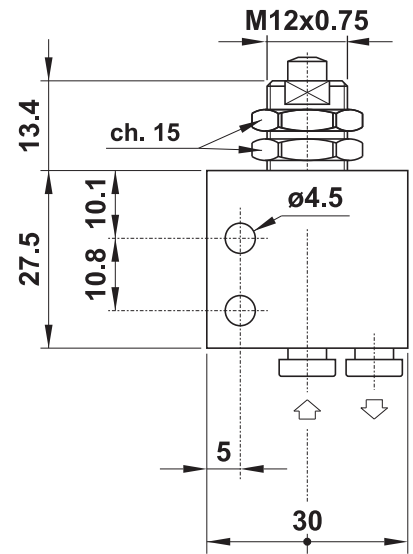
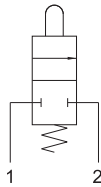
314 MV

3/2 N/O push-in fittings for 5/32" or $\phi 4$ mm tube (ports on the bottom), panel mount tappet



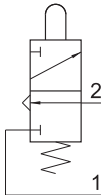
204 MV

2/2 N/C push-in fittings for 5/32" or $\phi 4$ mm tube (ports on the bottom), panel mount tappet



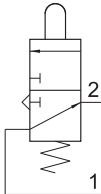
304 MA UL

3/2 N/C push-in fittings for 5/32" or $\phi 4$ mm tube (ports on the side), tappet



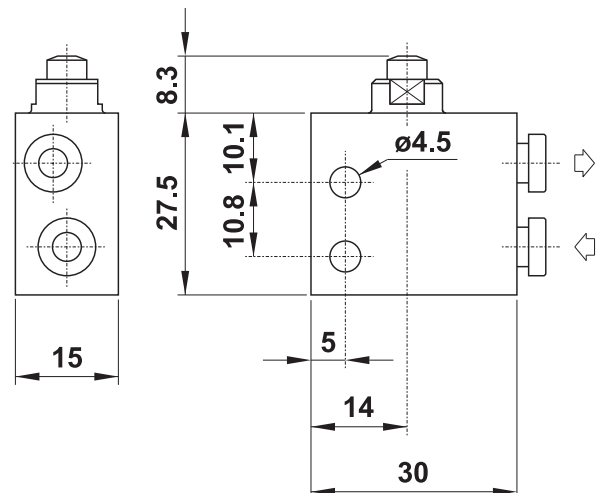
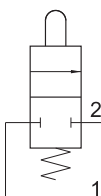
314 MA UL

3/2 N/O push-in fittings for 5/32" or $\phi 4$ mm tube (ports on the side), tappet



204 MA UL

2/2 N/C push-in fittings for 5/32" or $\phi 4$ mm tube (ports on the side), tappet

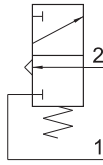


Microvalves



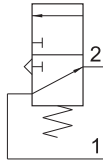
304 MB UL

3/2 N/C push-in fittings for 5/32" or $\phi 4$ mm tube
(ports on the side), actuator adaptor for panel mounting



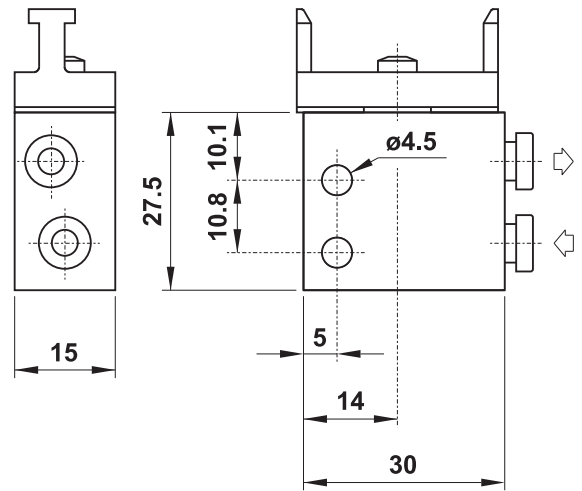
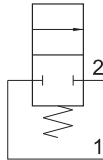
314 MB UL

3/2 N/O push-in fittings for 5/32" or $\phi 4$ mm tube
(ports on the side), actuator adaptor for panel mounting



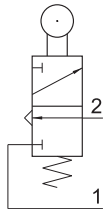
204 MB UL

2/2 N/C push-in fittings for 5/32" or $\phi 4$ mm tube
(ports on the side), actuator adaptor for panel mounting



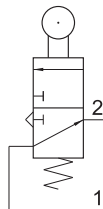
304 MR UL

3/2 N/C push-in fittings for 5/32" or $\phi 4$ mm tube
(ports on the side), roller lever



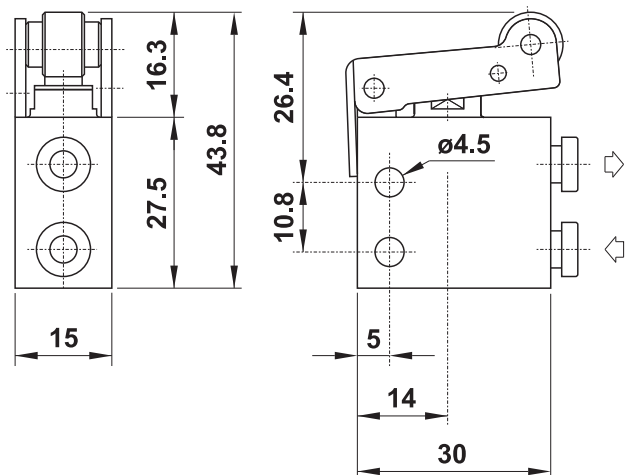
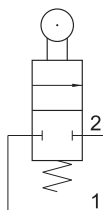
314 MR UL

3/2 N/O push-in fittings for 5/32" or $\phi 4$ mm tube
(ports on the side), roller lever



204 MR UL

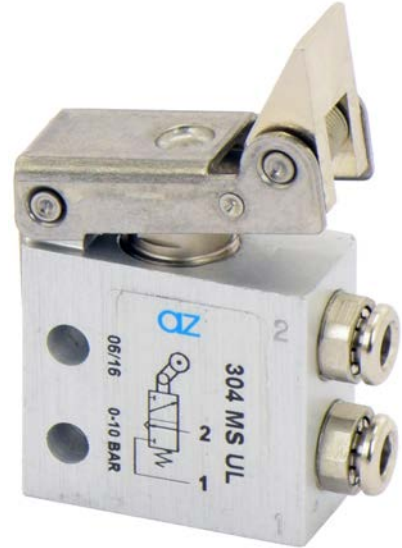
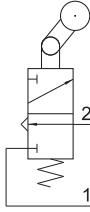
2/2 N/C push-in fittings for 5/32" or $\phi 4$ mm tube
(ports on the side), roller lever





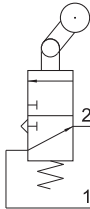
304 MS UL

3/2 N/C push-in fittings for 5/32" or $\phi 4$ mm tube (ports on the side), uni-directional lever



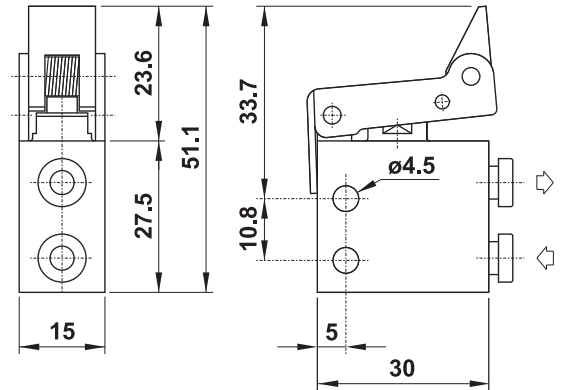
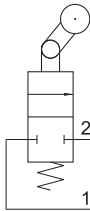
314 MS UL

3/2 N/O push-in fittings for 5/32" or $\phi 4$ mm tube (ports on the side), uni-directional lever



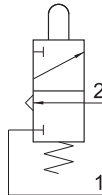
204 MS UL

2/2 N/C push-in fittings for 5/32" or $\phi 4$ mm tube (ports on the side), uni-directional lever



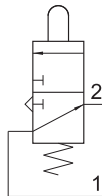
304 MV UL

3/2 N/C push-in fittings for 5/32" or $\phi 4$ mm tube (ports on the side), panel mount tappet



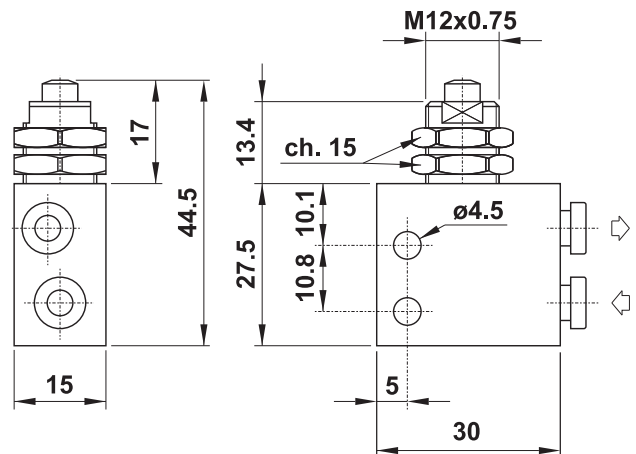
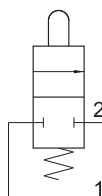
314 MV UL

3/2 N/O push-in fittings for 5/32" or $\phi 4$ mm tube (ports on the side), panel mount tappet



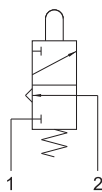
204 MV UL

2/2 N/C push-in fittings for 5/32" or $\phi 4$ mm tube (ports on the side), panel mount tappet



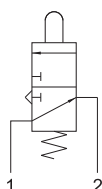
305 MA

3/2 N/C M5 threaded ports
(on the bottom), tappet



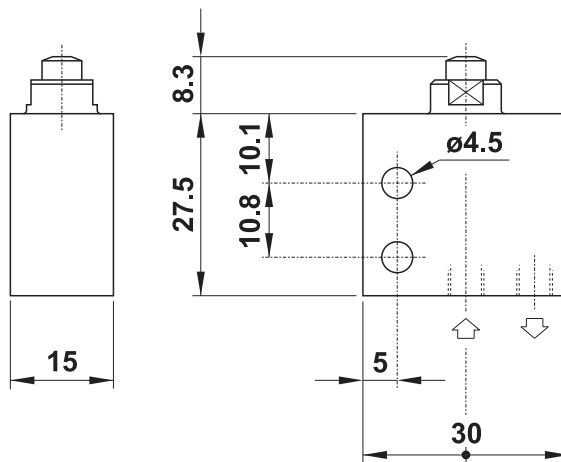
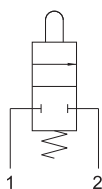
315 MA

3/2 N/O M5 threaded ports (on the bottom),
tappet



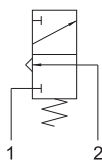
205 MA

2/2 N/C M5 threaded ports (on the bottom),
tappet



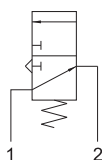
305 MB

3/2 N/C M5 threaded ports (on the bottom),
actuator adaptor for panel mounting



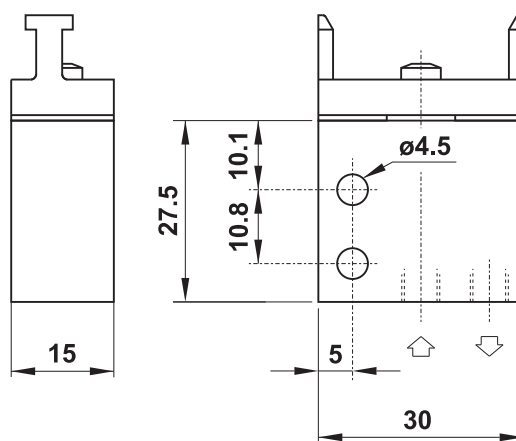
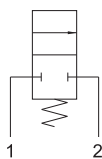
315 MB

3/2 N/O M5 threaded ports (on the bottom),
actuator adaptor for panel mounting



205 MB

2/2 N/C M5 threaded ports (on the bottom),
actuator adaptor for panel mounting

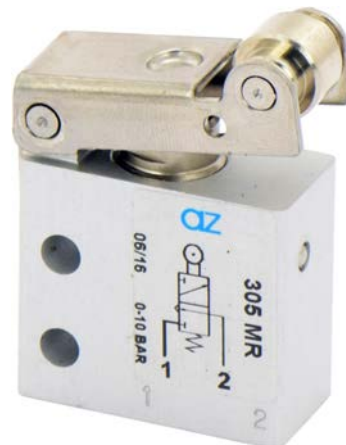
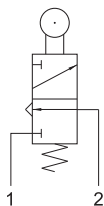


Microvalves



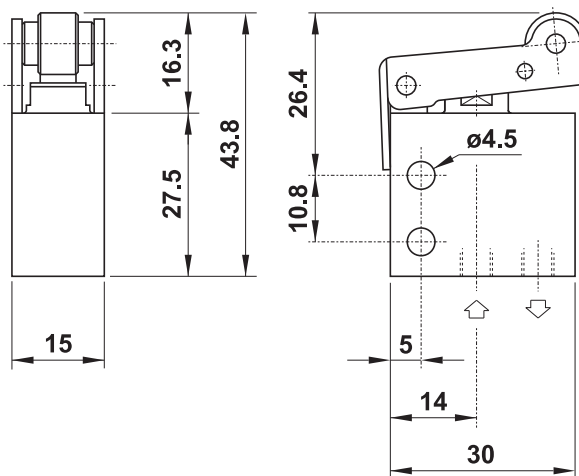
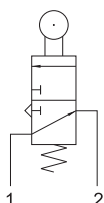
305 MR

3/2 N/C M5 threaded ports (on the bottom), roller lever



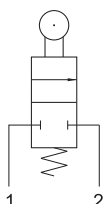
315 MR

3/2 N/O M5 threaded ports (on the bottom), roller lever



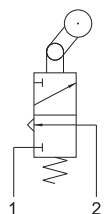
205 MR

2/2 N/C M5 threaded ports (on the bottom), roller lever



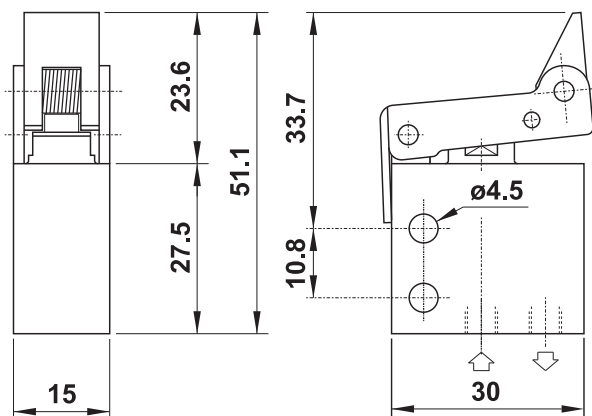
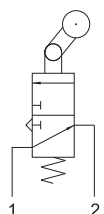
305 MS

3/2 N/C M5 threaded ports (on the bottom), uni-directional lever



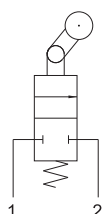
315 MS

3/2 N/O M5 threaded ports (on the bottom), uni-directional lever



205 MS

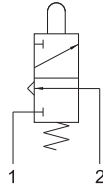
2/2 N/C M5 threaded ports (on the bottom), uni-directional lever





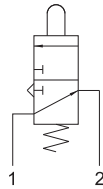
305 MV

3/2 N/C M5 threaded ports (on the bottom),
panel mount tappet



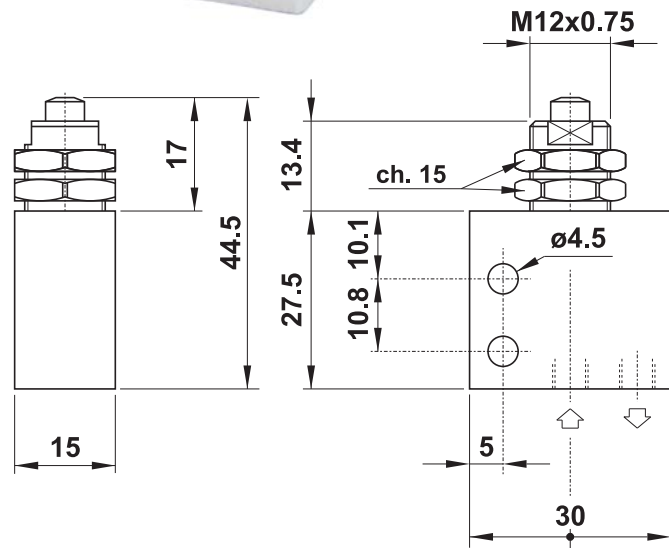
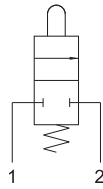
315 MV

3/2 N/O M5 threaded ports (on the bottom),
panel mount tappet



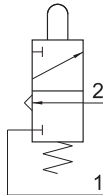
205 MV

2/2 N/C M5 threaded ports (on the bottom),
panel mount tappet



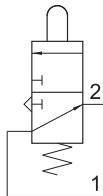
305 MA UL

3/2 N/C M5 threaded ports (on the side),
tappet



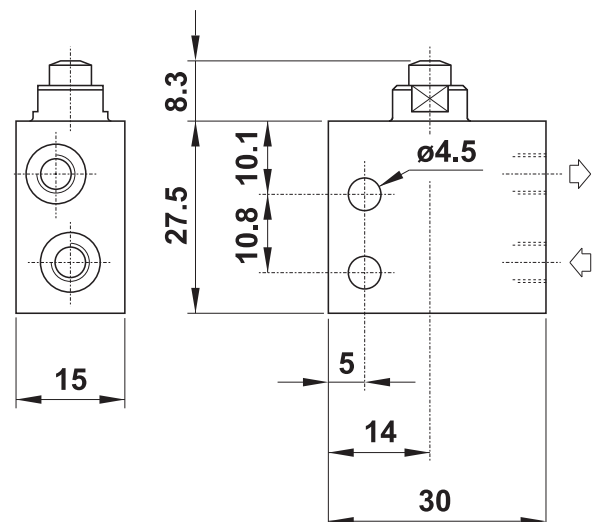
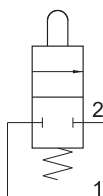
315 MA UL

3/2 N/O M5 threaded ports (on the side),
tappet



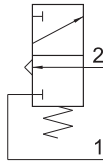
205 MA UL

2/2 N/C M5 threaded ports (on the side),
tappet



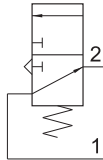
305 MB UL

3/2 N/C M5 threaded ports (on the side),
actuator adaptor for panel mounting



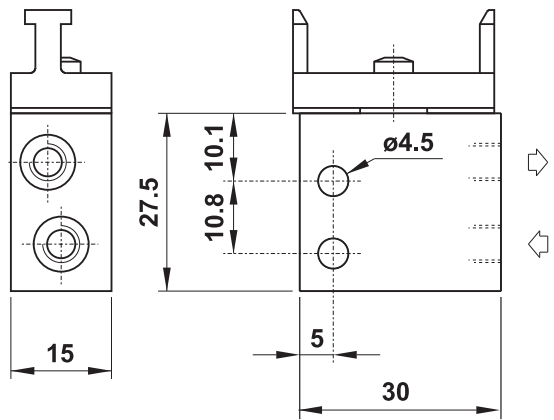
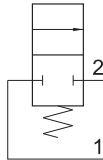
315 MB UL

3/2 N/O M5 threaded ports (on the side),
actuator adaptor for panel mounting



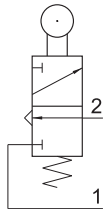
205 MB UL

2/2 N/C M5 threaded ports (on the side),
actuator adaptor for panel mounting



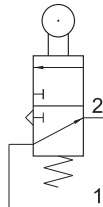
305 MR UL

3/2 N/C M5 threaded ports (on the side),
roller lever



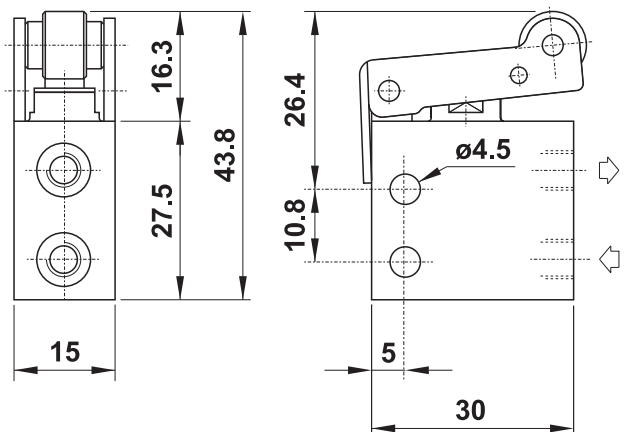
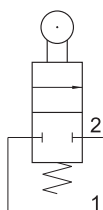
315 MR UL

3/2 N/O M5 threaded ports (on the side),
roller lever



205 MR UL

2/2 N/C M5 threaded ports (on the side),
roller lever

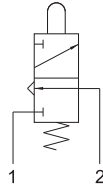


Microvalves



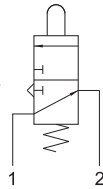
304 MGx

3/2 N/C push-in fittings for 5/32" or $\phi 4$ mm tube (ports on the bottom), push lever (4 colours - see explanation)



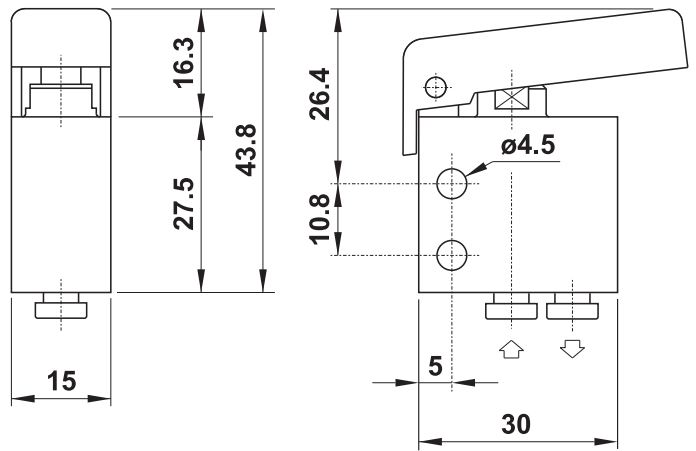
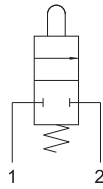
314 MGx

3/2 N/O push-in fittings for 5/32" or $\phi 4$ mm tube (ports on the bottom), push lever (4 colours - see explanation)



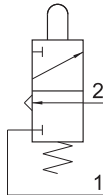
204 MGx

2/2 N/C push-in fittings for 5/32" or $\phi 4$ mm tube (ports on the bottom), push lever (4 colours - see explanation)



304 MGx UL

3/2 N/C push-in fittings for 5/32" or $\phi 4$ mm tube (ports on the side), push lever (4 colours - see explanation)



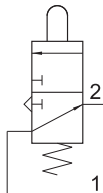
In the part number replace the letter "x" with the colour reference of the push lever.

RED	R
YELLOW	G
GREEN	V
BLACK	N



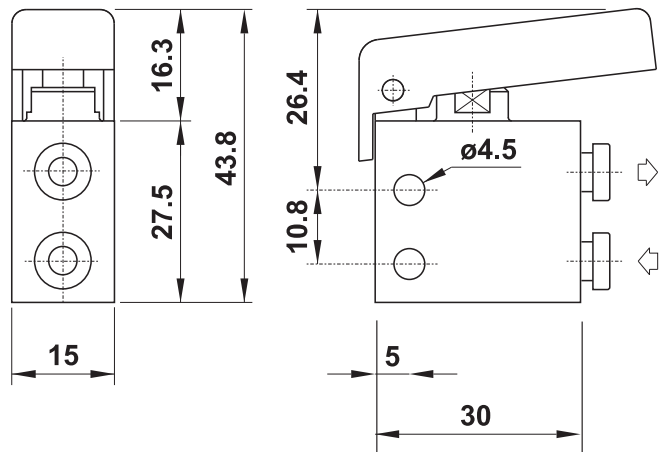
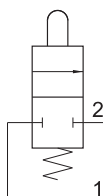
314 MGx UL

3/2 N/O push-in fittings for 5/32" or $\phi 4$ mm tube (ports on the side), push lever (4 colours - see explanation)

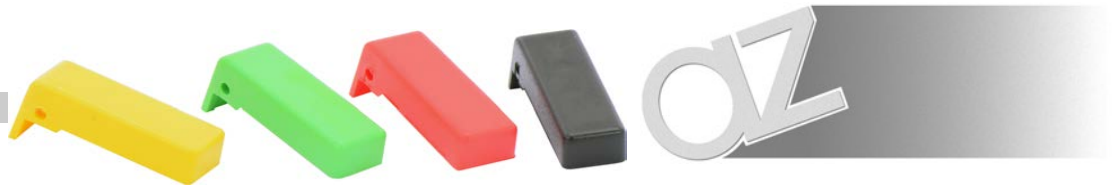


204 MGx UL

2/2 N/C push-in fittings for 5/32" or $\phi 4$ mm tube (ports on the side), push lever (4 colours - see explanation)

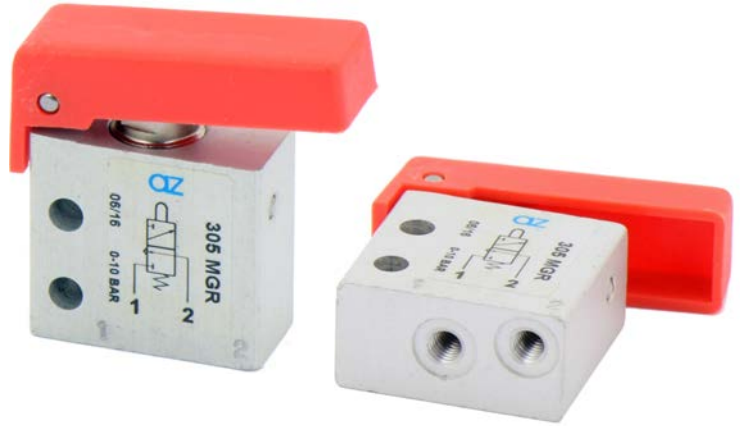
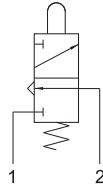


Microvalves



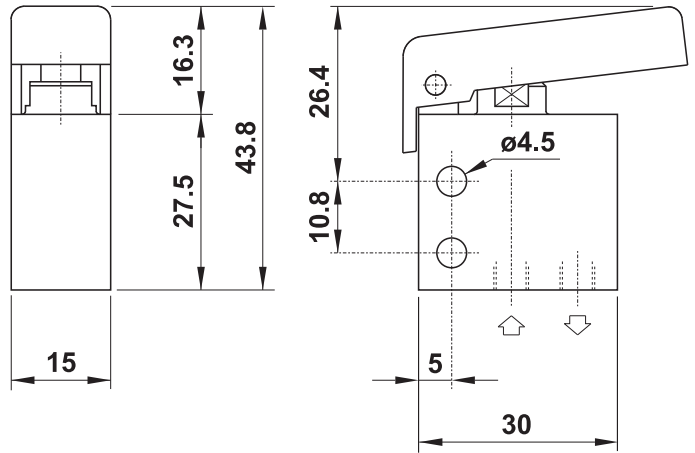
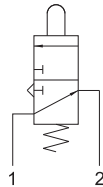
305 MGx

3/2 N/C M5 threaded ports (on the bottom),
push lever (4 colours - see explanation)



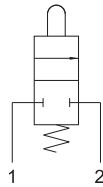
315 MGx

3/2 N/O M5 threaded ports (on the bottom),
push lever (4 colours - see explanation)



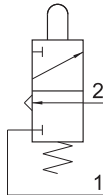
205 MGx

2/2 N/C M5 threaded ports (on the bottom),
push lever (4 colours - see explanation)



305 MGx UL

3/2 N/C M5 threaded ports (on the side),
push lever (4 colours - see explanation)



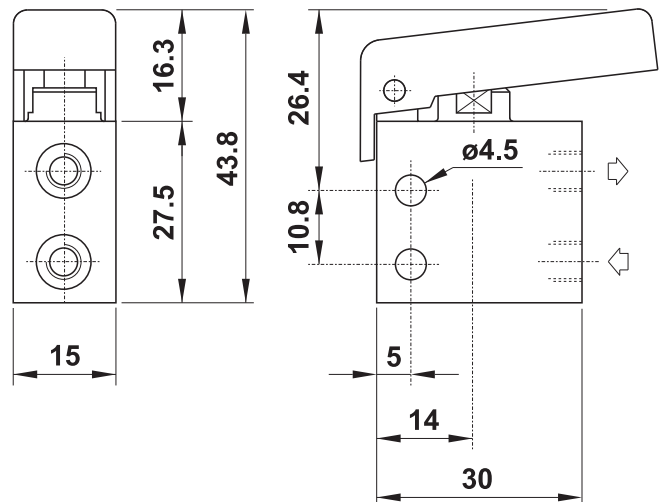
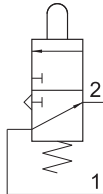
In the part number replace the letter "x" with the colour reference of the push lever.

RED	R
YELLOW	G
GREEN	V
BLACK	N



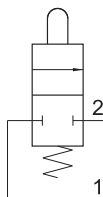
315 MGx UL

3/2 N/O M5 threaded ports (on the side),
push lever (4 colours - see explanation)

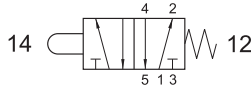


205 MGx UL

2/2 N/C M5 threaded ports (on the side),
push lever (4 colours - see explanation)



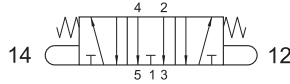
504 MB



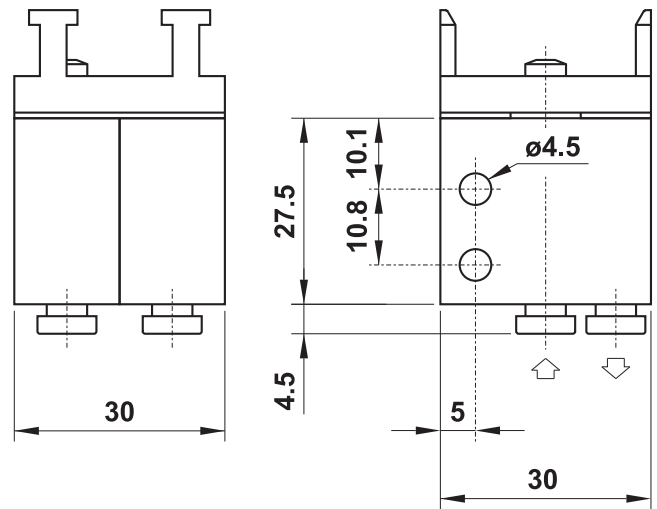
5/2 push-in fittings for 5/32" or $\varnothing 4$ mm tube (ports on the bottom),
actuator adaptor for panel mounting



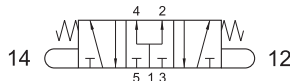
2.304 MB



5/3 open centers
push-in fittings for 5/32" or $\varnothing 4$ mm tube (ports on the bottom),
actuator adaptor for panel mounting

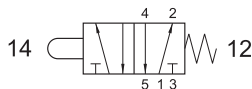


2.314 MB



5/3 pressurized centers
push-in fittings for 5/32" or $\varnothing 4$ mm tube (ports on the bottom),
actuator adaptor for panel mounting

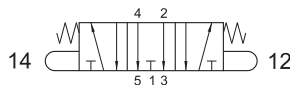
505 MB



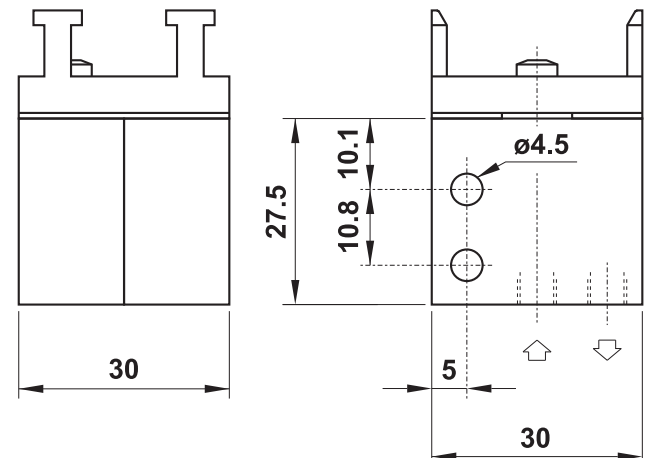
5/2 M5 threaded ports (on the bottom),
actuator adaptor for panel mounting



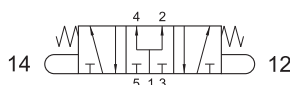
2.305 MB



5/3 open centers
M5 threaded ports (on the bottom),
actuator adaptor for panel mounting

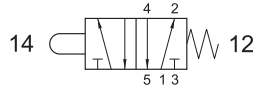


2.315 MB



5/3 pressurized centers
M5 threaded ports (on the bottom),
actuator adaptor for panel mounting

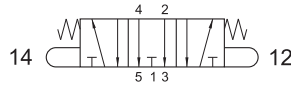
504 MB UL



5/2 push-in fittings for 5/32" or $\varnothing 4$ mm tube (ports on the side),
actuator adaptor for panel mounting

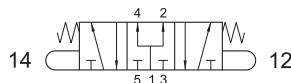


2.304 MB UL

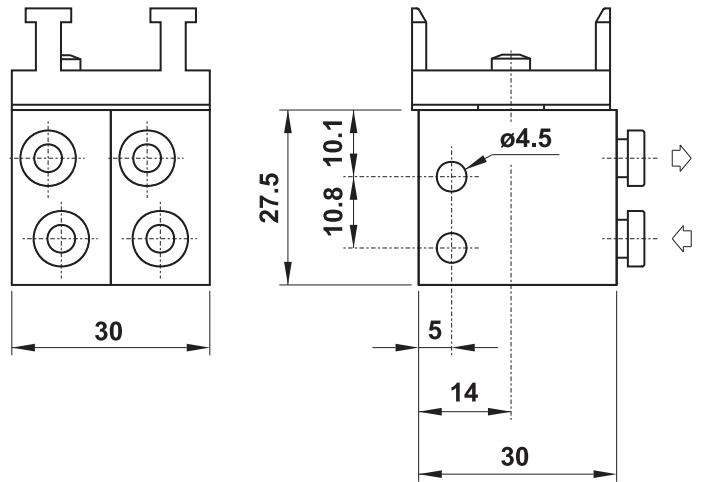


5/3 open centers
push-in fittings for 5/32" or $\varnothing 4$ mm tube (ports on the side),
actuator adaptor for panel mounting

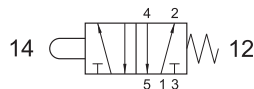
2.314 MB UL



5/3 pressurized centers
push-in fittings for 5/32" or $\varnothing 4$ mm tube (ports on the side),
actuator adaptor for panel mounting



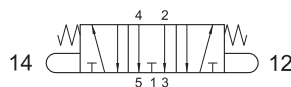
505 MB UL



5/2 threaded ports (on the side),
actuator adaptor for panel mounting

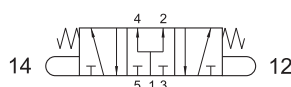


2.305 MB UL

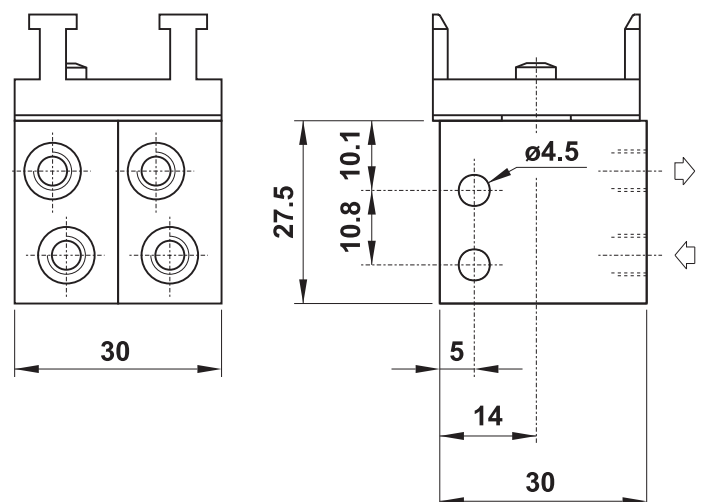


5/3 open centers
M5 threaded ports (on the side),
actuator adaptor for panel mounting

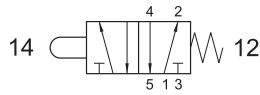
2.315 MB UL



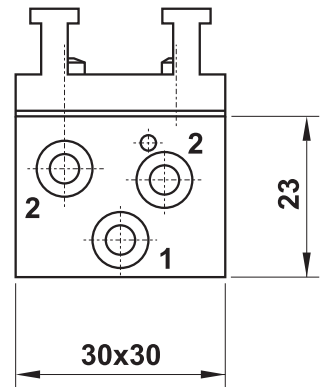
5/3 pressurized centers
M5 threaded ports (on the side),
actuator adaptor for panel mounting



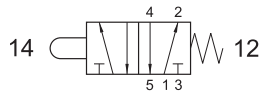
504 MB CU



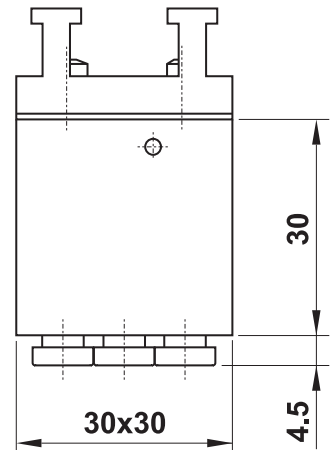
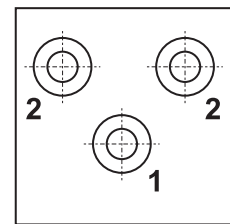
5/2 single valve body
 push-in fittings for 5/32" or ø4 mm tube (ports on the side),
 actuator adaptor for panel mounting



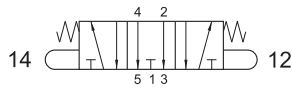
504 MB CU US



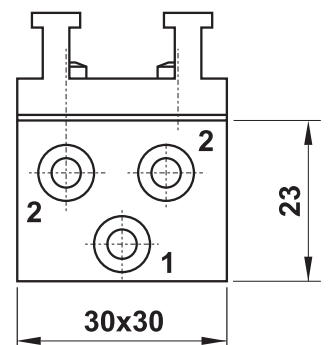
5/2 single valve body
 push-in fittings for 5/32" or ø4 mm tube (ports on the bottom),
 actuator adaptor for panel mounting



2.304 MB CU

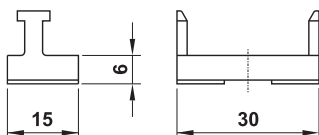


5/3 open centers, single valve body
 push-in fittings for 5/32" or ø4 mm tube (ports on the side),
 actuator adaptor for panel mounting



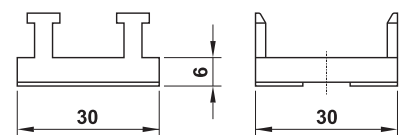
08.017.2

single adaptor for panel mounting actuator,
 complete with fixing screws



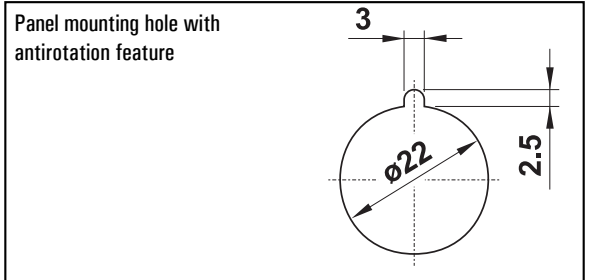
08.015.2

double adaptor for panel mounting actuator,
 complete with fixing screws



Protected push button

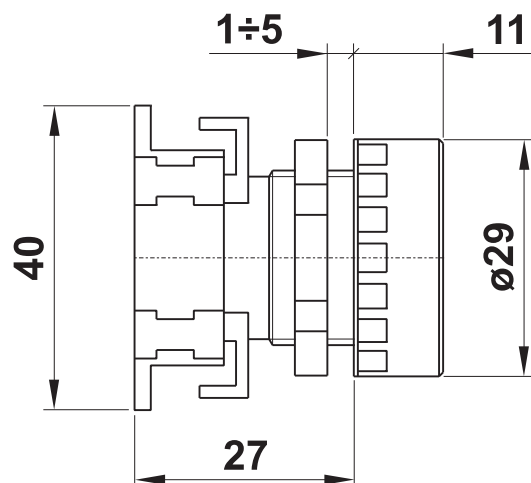
code	standard colours
PR1/NRB	RED, BLACK and WHITE (supplied in kit)



- The following colours can be ordered separately

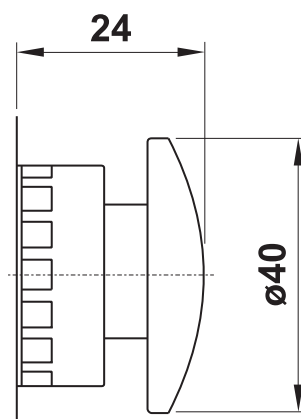
code	colour
DCV1	GREEN
DCG1	YELLOW
DCA1	LIGHT BLUE
DCB1	WHITE

code	colour
DCN1	BLACK
DCR1	RED



ø40 mushroom

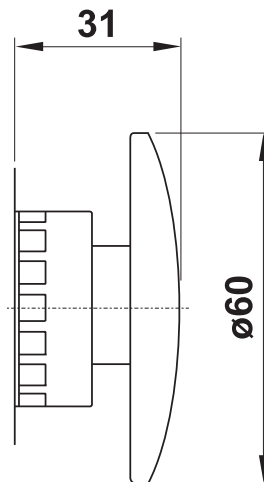
code	description	colour
PF2/40	axial mono-stable	RED
PF1/40	axial mono-stable	BLACK
PFB2/40	turn to unlock	RED



Actuators for panel mounting

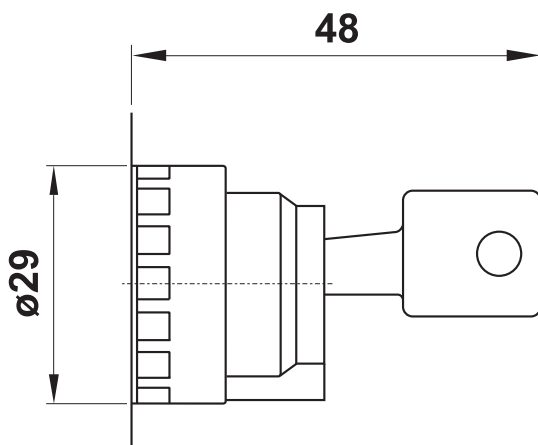


ø60 palm



code	description	colour
PFBA2	multi-directional	RED
PFB2/60	turn to unlock	RED

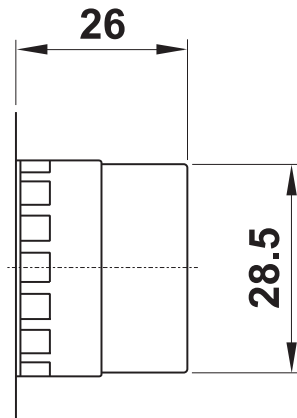
Key selector



code	function	position to pull the key out
SSC/CD-V	0 1	only in central position
SSC/CD-Z	0 1	both positions
SSC/E-V	2 0 1	only in central position

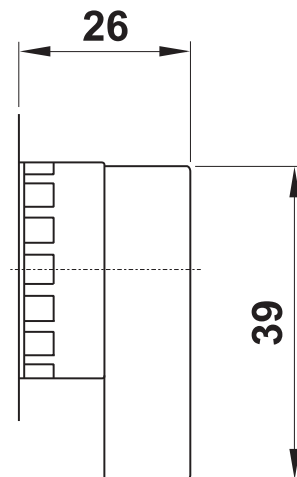
Short lever selector

code	colour	function
SS1/CD	BLACK	0 1
SS1/CD-R	BLACK	0 ← 1
SS1/E	BLACK	2 0 1
SS1/E-RC	BLACK	2 → 0 ← 1



Long lever selector

code	colour	function
SSP1/CD	BLACK	0 1
SSP1/CD/R	BLACK	0 ← 1
SSP1/E	BLACK	2 0 1
SSP1/E-RC	BLACK	2 → 0 ← 1



Material	High performance plastic material
Protection degree	IP 55
According to norms	EN 60947-5-1 VDE 0660 IEC 947-5
Temperature range	max +55°C (131°F)
Mechanical life time	500000 actuations