



PNEUMATICS-PRO

Pneumatic Push In Fittings



Pneumatics-pro
Direct line:+1-647-608-1949
E-mail:contact@pneumaticspro.ca
WhatsApp: +1-647-608-1949
ADD.: 44-850 Tapscott Road, Scarborough, Ontario M1X 1N4 Canada



CONTENTS

PC Male Straight Push In Tube Fitting----- 05

POC Hex. Holed Straight Push In Tube Fitting----- 07

PCF Female Straight Push In Tube Fitting----- 09

PL Male Elbow Push In Tube Fitting----- 11

PLL Male Long Elbow Push In Tube Fitting----- 13

PLF Female Elbow Push In Tube Fitting----- 15

PB Male Branch Tee----- 17

PD Male Run Tee----- 19

PX Male Y Branch----- 21

PBF Female Tee Push In Tube Fitting----- 23

PKB Male Equal Multiple Branch----- 24

PKD Male Unequal Multiple Branch----- 25

PH Male Single Banjo----- 27

PHF Female-Male Connector Banjo----- 29

PU Union Straight Push In Tube Fitting----- 31

PE Union Tee PushIn Tube Fitting----- 31

PV Union Elbow Push In Tube Fitting----- 32

Push In Tube Fitting(PY、 PG、 PEG、 PW)----- 33

Push In Tube Fitting(PJ、 PGE、 PLJ)----- 35

Push In Tube Fitting(PWJ、 PM、 PZA)----- 37

Push In Tube Fitting(PMF、 SU)----- 39

SC Control-in Throttle Valve----- 43

SC Control-out Throttle Valve----- 45

HVFS Hand Valve----- 47

HVSF Hand Valve----- 49

Hand Valve(HVSS、 HVFF)----- 51

Pneumatic Muffler(SSL、 SSLB、 SSLP)----- 54

Pneumatic Muffler(SSLF、 SSLD、 SSLA)----- 55

Plastic push in tube fitting

Cautions in application of tube fittings

Before use, it should make clear following points

Warning

1. Except air and water (only special type and custom-design), never attempt to use the tube joint other fluids.
2. The tube joint application is prohibited where spark and fire might be occurred.
3. The tube joint application is prohibited if water temperature is above 60°C because resin might be decomposed and damaged in water under a high temperature.
4. The tube joint is not designed for application where there is static charge.
5. Never apply tube joint with additional external load (bending, twist or pulling), otherwise damage or leakage will be occurred.

Caution

1. If you use other supplier tubing, the different tubing tolerance might cause leakage or incorrect connection and disassembly. It must check if tubing OD is in compliance with the specification as listed in following table.

Size	Polyurethane Tube	Nylon Tube
Φ4mm	± 0.10	± 0.08
Φ6mm	± 0.12	± 0.10
Φ8mm	± 0.12	± 0.10
Φ10mm	± 0.15	± 0.12
Φ12mm	± 0.15	± 0.12
Φ16mm	± 0.15	± 0.16

2. Always check the end of tubing for a right angle cutting and check the external surface of tubing for any damage or scratch. Please refer to following instruction in connection of tubing. When you insert the air tubing into the joint, you will have two-step feeling. Section One is locking claw while Section Two is sealing ring. You must insert the tube into Section Two.

Sleeve is used in tubing connection and disconnection. The sleeve is designed as an oval shape, which is convenient in assembly and disassembly. However, round sleeve is available to meet any customer special demand if the customer product has limited space for oval sleeve. After connection of tube joint and tubing, always try to pull tubing and ensure its firm connection.

The minimum insertion length of tubing is as listed, however, the tubing length tolerance as listed is necessary in practice.

Tube Size		Φ4	Φ6	Φ8	Φ10	Φ12	Φ16
Sleeve Size	Metal	14.6	15.2	16.2	18.7	21.7	24.5
	Plastic	15.1	16	18.1	20.4	23.2	24.2

3. Cautions during disassembly of tubing Before disconnection of tubing, always check tubing internal pressure for zero.

For disconnection of tubing, always press sleeve heavily and then pull out tubing. If sleeve is not pressed with enough force, it is hard to pull out tubing and external surface scratch might be resulted by locking claw, which is the cause of air leakage.

Don't swing or rotate tubing in disconnection otherwise groove might be resulted on the tubing surface by locking claw to prevent tubing from pulling.

4. Always use proper tool to tighten external hexagonal and internal hexagonal parts of the tube joint.

Always apply recommended torque on screws otherwise extra torque might damage thread and cause air leakage while insufficient torque might cause loose screws and air leakage.

After screws are tightened, you may adjust the direction of tubing with most of our tube joint. If it is hard in adjustment, you may apply recommended torque to turn screw to adjust direction of tubing.

Recommended Torque for Different Thread Specification

Thread Type	Thread Specification	Torque(kgf.cm)
Metric thread	M3	7
	M5	15-19
	M6	20-27
PT	1/8"PT	70-90
	1/4"PT	120-140
	3/8"PT	220-240
	1/2"PT	280-300
UNF(Unified) thread	NO.10-32	
	UNF	
NPT thread	1/16	70-90
	1/8	70-90
	1/4	120-140
	3/8	220-240
	1/2	280-300

Specification

Fluid	Air, vacuum
Pressure Range	0~1.0MPa
Negative Pressure	-100KPa(10Torr)
Max Pressure	1.5MPa
Temperature Range	0~60°C
Applicable Tube	NYLON(PA)Polyurethane(PU)

① Type

② Tube Outer Diameter

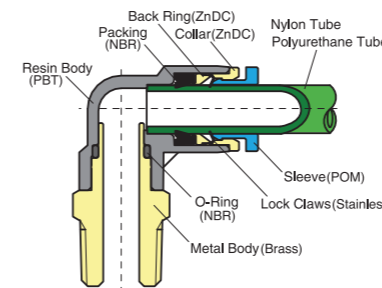
	Metric Size					
Code	04	06	08	10	12	16
Tube Outer Diameter	Φ4	Φ6	Φ8	Φ10	Φ12	Φ16

	Inch Size					
Code	5/32	3/16	1/4	5/16	3/8	1/2
Tube Outer Diameter	Φ5/32	Φ3/16	Φ1/4	Φ5/16	Φ3/8	Φ1/2

Characteristics

1. Quick installation, simple and flexible, space-saving
2. The tube fitting comes in a wide variety of models to meet all your needs in pneumatic piping.
3. Even after installation, the direction of tubing can be changed freely.
4. The release ring adopts the round design to make it more convenient and labor-saving for disconnection.
5. All fittings are equipped with the internal hexagonal holes. It is easy for them to be mounted in the narrow places.

Structure Chart

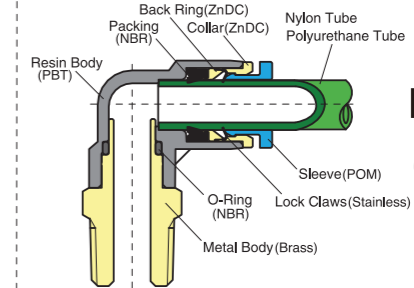


Product Code System

PC 08 - 01

① ② ③

Structure Chart

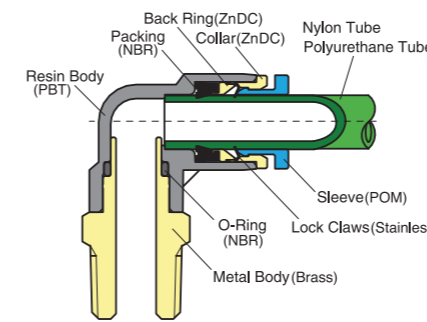


Product Code System

PC 08 - G01

① ② ③

Structure Chart



Product Code System

PC 1/4 - N01

① ② ③

③ Thread

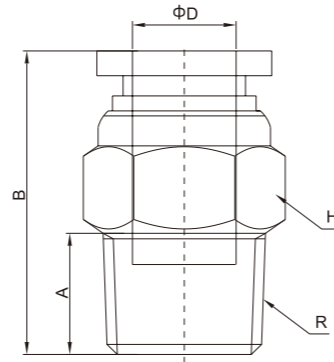
	55° Taper Pipe Thread				
Code	01	02	03	04	06
Thread	1/8"PT	1/4"PT	3/8"PT	1/2"PT	3/4"PT

	55° G-Thread			
Code	G01	G02	G03	G04
Thread	G1/8	G1/4	G3/8	G1/2

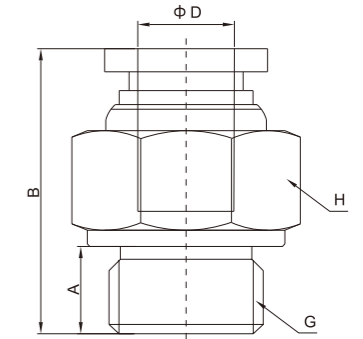
	UNF	American Standard taper pipe thread(NPT)				
Code	U10	N01	N02	N02	N04	N06
Thread	10-32UNF	1/8"NPT	1/4"NPT	3/8"NPT	1/2"NPT	3/4"NPT

PC Male Straight Push In Tube Fitting

PC



PC-G



PT (BSPT) Thread

Model	ΦD	R	A	B	H	
PC 04-M5	4	M5	4	19	10	
PC 04-01		1/8"PT	7	19	10	
PC 04-02		1/4"PT	9.5	19	14	
PC 06-M5	6	M5	4	20.5	12	
PC 06-01		1/8"PT	7	20	12	
PC 06-02		1/4"PT	9.5	21	14	
PC 06-03		3/8"PT	10	21	17	
PC 06-04	1/2"PT	13	24	21		
PC 08-01	8	1/8"PT	7	24.5	14	
PC 08-02		1/4"PT	9.5	24.5	14	
PC 08-03		3/8"PT	10	22	17	
PC 08-04		1/2"PT	13	25	21	
PC 10-01		10	1/8"PT	7	29	17
PC 10-02	1/4"PT		9.5	31	17	
PC 10-03	3/8"PT		10	28.5	17	
PC 10-04	1/2"PT		13	26	21	
PC 12-01	12		1/8"PT	7	30.5	20
PC 12-02			1/4"PT	9.5	32.5	20
PC 12-03		3/8"PT	10	29	20	
PC 12-04		1/2"PT	13	27.5	21	
PC 16-02	16	1/4"PT	9.5	33.5	24	
PC 16-03		3/8"PT	10	34	24	
PC 16-04		1/2"PT	13	35	24	

(NPT) Thread

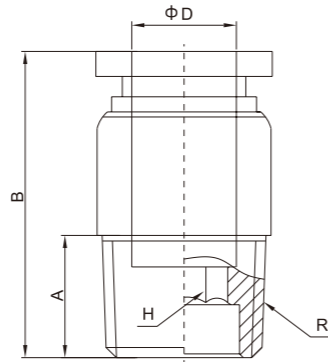
Model	ΦD	R	A	B	H
PC1/8-N01	1/8	1/8"NPT	7.5	20	7/16
PC1/8-N02		1/4"NPT	10.5	20	9/16
PC5/32-N01	5/32	1/8"NPT	7.5	20	7/16
PC5/32-N02		1/4"NPT	10.5	21.5	9/16
PC1/4-N01	1/4	1/8"NPT	7.5	21	1/2
PC1/4-N02		1/4"NPT	10.5	22	9/16
PC1/4-N03		3/8"NPT	11	22	11/16
PC1/4-N04		1/2"NPT	14	25	7/8
PC5/16-N01	5/16	1/8"NPT	7.5	25.5	9/16
PC5/16-N02		1/4"NPT	10.5	25.5	9/16
PC5/16-N03		3/8"NPT	11	23	11/16
PC5/16-N04		1/2"NPT	14	26	7/8
PC3/8-N01	3/8	1/8"NPT	7.5	30	11/16
PC3/8-N02		1/4"NPT	10.5	32	11/16
PC3/8-N03		3/8"NPT	11	29.5	11/16
PC3/8-N04		1/2"NPT	14	27	7/8
PC1/2-N01	1/2	1/8"NPT	7.5	31.5	7/8
PC1/2-N02		1/4"NPT	10.5	33.5	7/8
PC1/2-N03		3/8"NPT	11	30	7/8
PC1/2-N04		1/2"NPT	14	28.5	7/8

(G) Thread with o ring

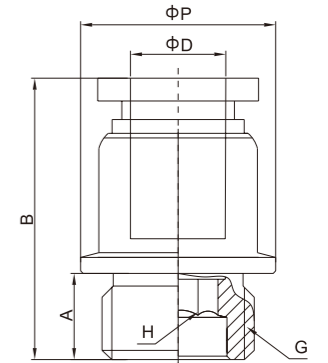
Model	ΦD	G	A	B	H
PC04-G01	4	G1/8	5.5	20	14
PC04-G02		G1/4	7.5	19	17
PC06-G01	6	G1/8	5.5	21.2	14
PC06-G02		G1/4	7.5	22.2	17
PC06-G03		G3/8	8.5	21	20
PC06-G04		G1/2	11	23.8	24
PC08-G01	8	G1/8	5.5	25.3	14
PC08-G02		G1/4	7.5	24.5	17
PC08-G03		G3/8	8.5	22.2	20
PC08-G04		G1/2	11	24.5	24
PC10-G01	10	G1/8	5.5	29	17
PC10-G02		G1/4	7.5	30.5	17
PC10-G03		G3/8	8.5	28	20
PC10-G04		G1/2	11	26	24
PC12-G01	12	G1/8	5.5	30	20
PC12-G02		G1/4	7.5	32	20
PC12-G03		G3/8	8.5	32.5	20
PC12-G04		G1/2	11	31	24
PC16-G02	16	G1/4	7.5	35.5	24
PC16-G03		G3/8	8.5	37.5	24
PC16-G04		G1/2	11	40	24

POC Hex. Holed Straight Push In Tube Fitting

POC



POC-G



PT (BSPT) Hex.Holed Straight

Model	ΦD	R	A	B	H
POC04-M5	4	M5	4	19	2
POC04-01		1/8"PT	7	19	3
POC04-02		1/4"PT	9.5	19	3
POC06-M5	6	M5	4	20.5	2
POC06-01		1/8"PT	7	20	4
POC06-02		1/4"PT	9.5	21	4
POC06-03		3/8"PT	10	21	4
POC06-04		1/2"PT	13	24	4
POC08-01	8	1/8"PT	7	24.5	5
POC08-02		1/4"PT	9.5	24.5	5
POC08-03		3/8"PT	10	22	6
POC08-04		1/2"PT	13	25	6
POC10-01	10	1/8"PT	7	29	5
POC10-02		1/4"PT	9.5	31	6
POC10-03		3/8"PT	10	28.5	8
POC10-04		1/2"PT	13	26	8
POC12-01	12	1/8"PT	7	30.5	5
POC12-02		1/4"PT	9.5	32.5	6
POC12-03		3/8"PT	10	29	8
POC12-04		1/2"PT	13	27.5	8
POC16-02	16	1/4"PT	9.5	33.5	6
POC16-03		3/8"PT	10	34	8
POC16-04		1/2"PT	13	35	10

(NPT) Hex.Holed Straight

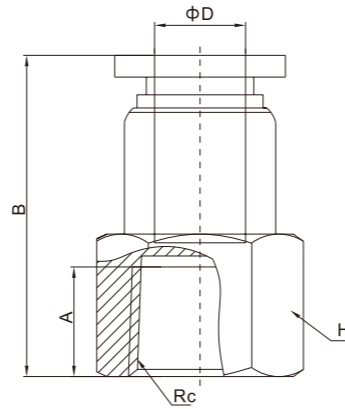
Model	ΦD	R	A	B	H
POC1/8-N01	1/8	1/8"NPT	7.5	20	3/32
POC1/8-N02		1/4"NPT	10.5	20	3/32
POC5/32-N01	5/32	1/8"NPT	7.5	20	3/32
POC5/32-N02		1/4"NPT	10.5	21.5	3/32
POC1/4-N01	1/4	1/8"NPT	7.5	21	5/32
POC1/4-N02		1/4"NPT	10.5	22	5/32
POC1/4-N03		3/8"NPT	11	22	5/32
POC5/16-N01	5/16	1/8"NPT	7.5	25.5	3/16
POC5/16-N02		1/4"NPT	10.5	25.5	7/32
POC5/16-N03		3/8"NPT	11	23	7/32
POC3/8-N01	3/8	1/8"NPT	7.5	30	7/32
POC3/8-N02		1/4"NPT	10.5	32	7/32
POC3/8-N03		3/8"NPT	11	29.5	5/16
POC3/8-N04		1/2"NPT	14	27	5/16
POC1/2-N02	1/2	1/4"NPT	10.5	33.5	1/4
POC1/2-N03		3/8"NPT	11	30	5/16
POC1/2-N04		1/2"NPT	14	28.5	5/16

(G) Thread with o ring

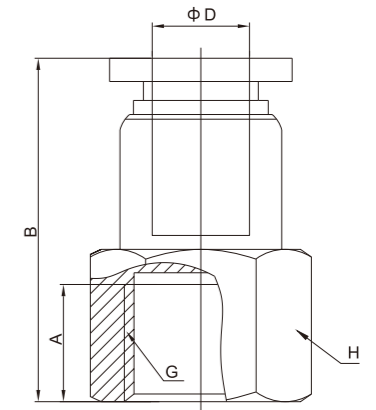
Model	ΦD	G	A	B	ΦP	H
POC04-G01	4	G1/8	5.5	20	14	3
POC04-G02		G1/4	7.5	19	17	3
POC06-G01	6	G1/8	5.5	21.2	14	4
POC06-G02		G1/4	7.5	22.2	17	4
POC06-G03		G3/8	8.5	21	20	4
POC06-G04		G1/2	11	23.8	24	4
POC08-G01	8	G1/8	5.5	25.3	14	5
POC08-G02		G1/4	7.5	24.5	17	5
POC08-G03		G3/8	8.5	22.2	20	6
POC08-G04		G1/2	11	24.5	24	6
POC10-G01	10	G1/8	5.5	29	17	5
POC10-G02		G1/4	7.5	30.5	17	6
POC10-G03		G3/8	8.5	28	20	8
POC10-G04		G1/2	11	26	24	8
POC12-G01	12	G1/8	5.5	30	20	5
POC12-G02		G1/4	7.5	32	20	6
POC12-G03		G3/8	8.5	32.5	20	8
POC12-G04		G1/2	11	31	24	8
POC16-G02	16	G1/4	7.5	35.5	24	6
POC16-G03		G3/8	8.5	37.5	24	8
POC16-G04		G1/2	11	40	24	10

PCF Female Straight Push In Tube Fitting

PCF



PCF-G



PT (BSPT) Female Straight

Model	ΦD	Rc	A	B	H
PCF04-01	4	1/8"PT	8	23	12
PCF04-02		1/4"PT	11	26	17
PCF06-01	6	1/8"PT	8	24.5	12
PCF06-02		1/4"PT	11	27.5	17
PCF06-03		3/8"PT	12	28.5	21
PCF06-04		1/2"PT	14	30.5	24
PCF08-01	8	1/8"PT	8	26.5	14
PCF08-02		1/4"PT	11	29.5	17
PCF08-03		3/8"PT	12	30.5	21
PCF08-04		1/2"PT	14	32.5	24
PCF10-01	10	1/8"PT	8	30.5	17
PCF10-02		1/4"PT	11	33.5	17
PCF10-03		3/8"PT	12	34.5	21
PCF10-04		1/2"PT	14	36.5	24
PCF12-02	12	1/4"PT	11	34	21
PCF12-03		3/8"PT	12	35	21
PCF12-04		1/2"PT	14	37	24

(NPT) Female Straight

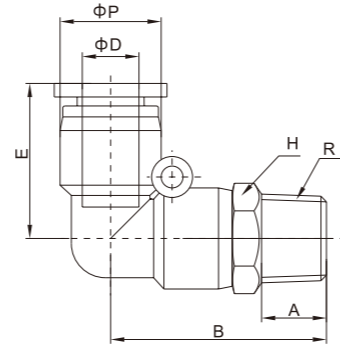
Model	ΦD	Rc	A	B	H
PCF1/8-N01	1/8	1/8"NPT	8.5	25.5	9/16
PCF1/8-N02		1/4"NPT	11.5	28.5	11/16
PCF5/32-N01	5/32	1/8"NPT	8.5	25.5	9/16
PCF5/32-N02		1/4"NPT	11.5	28.5	11/16
PCF1/4-N01	1/4	1/8"NPT	8.5	27.5	9/16
PCF1/4-N02		1/4"NPT	11.5	29.5	11/16
PCF1/4-N03		3/8"NPT	12	31.5	7/8
PCF5/16-N01	5/16	1/8"NPT	8.5	27.5	9/16
PCF5/16-N02		1/4"NPT	11.5	31.5	11/16
PCF5/16-N03		3/8"NPT	12	31.5	7/8
PCF5/16-N04		1/2"NPT	15	33.5	7/8
PCF3/8-N01	3/8	1/8"NPT	8.5	31.5	9/16
PCF3/8-N02		1/4"NPT	11.5	34.5	11/16
PCF3/8-N03		3/8"NPT	12	35.5	7/8
PCF3/8-N04		1/2"NPT	15	37.5	7/8
PCF1/2-N02	1/2	1/4"NPT	11.5	35	7/8
PCF1/2-N03		3/8"NPT	12	36	7/8
PCF1/2-N04		1/2"NPT	15	38	7/8

(G) Female Straight

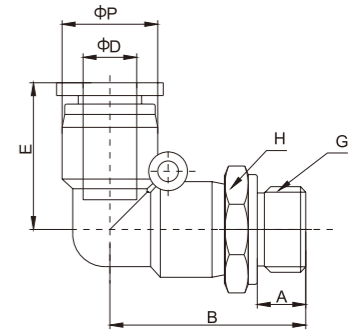
Model	ΦD	G	A	B	H
PCF04-G01	4	G1/8	7	22	14
PCF04-G02		G1/4	10	25	17
PCF06-G01	6	G1/8	7	23.5	14
PCF06-G02		G1/4	10	26.5	17
PCF06-G03		G3/8	11	27.5	21
PCF06-G04		G1/2	13	29.5	24
PCF08-G01	8	G1/8	7	25.5	14
PCF08-G02		G1/4	10	28.5	17
PCF08-G03		G3/8	11	29.5	21
PCF08-G04		G1/2	13	31.5	24
PCF10-G01	10	G1/8	7	29.5	17
PCF10-G02		G1/4	10	32.5	17
PCF10-G03		G3/8	11	33.5	21
PCF10-G04		G1/2	13	35.5	24
PCF12-G02	12	G1/4	10	33	21
PCF12-G03		G3/8	11	34	21
PCF12-G04		G1/2	13	36	24

PL Male Elbow Push In Tube Fitting

PL



PL-G



PT (BSPT) Male Elbow

Model	ΦD	E	B	ΦP	A	R	H
PL04-M5	4	18	22.2	11	4	M5	10
PL04-01		18	24.8	11	7	1/8"PT	10
PL04-02		18	28.8	11	9.5	1/4"PT	14
PL06-M5	6	19	22.5	13.4	4	M5	12
PL06-01		19	25.2	13.4	7	1/8"PT	12
PL06-02		19	28.2	13.4	9.5	1/4"PT	14
PL06-03		19	29.2	13.4	10	3/8"PT	17
PL06-04		19	33.7	13.4	13	1/2"PT	21
PL08-01	8	23	28.5	15	7	1/8"PT	14
PL08-02		23	32	15	9.5	1/4"PT	14
PL08-03		23	33	15	10	3/8"PT	17
PL08-04		23	36	15	13	1/2"PT	21
PL10-01	10	27.5	33.3	18.8	7	1/8"PT	17
PL10-02		27.5	36.3	18.8	9.5	1/4"PT	17
PL10-03		27.5	36.8	18.8	10	3/8"PT	17
PL10-04		27.5	40.5	18.8	13	1/2"PT	21
PL12-01	12	29.5	36.5	21	7	1/8"PT	19
PL12-02		29.5	38.5	21	9.5	1/4"PT	19
PL12-03		29.5	39	21	10	3/8"PT	19
PL12-04		29.5	44	21	13	1/2"PT	21
PL16-02	16	31.5	41	26	9.5	1/4"PT	24
PL16-03		31.5	42	26	10	3/8"PT	24
PL16-04		31.5	45	26	13	1/2"PT	24

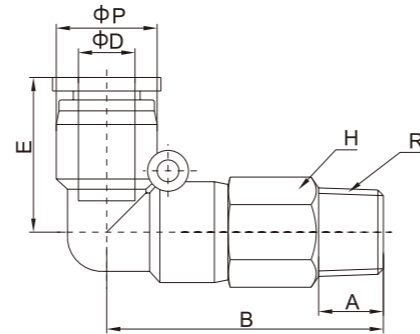
(NPT) Male Elbow

Model	ΦD	E	B	ΦP	A	R	H
PL1/8-N01	1/8	18	23.2	11	7.5	1/8"NPT	7/16
PL1/8-N02		18	25.8	11	10.5	1/4"NPT	9/16
PL5/32-N01	5/32	18	23.2	11	7.5	1/8"NPT	7/16
PL5/32-N02		18	25.8	11	10.5	1/4"NPT	9/16
PL1/4-N01	1/4	19	26.2	13.4	7.5	1/8"NPT	1/2
PL1/4-N02		19	29.2	13.4	10.5	1/4"NPT	9/16
PL1/4-N03		19	30.2	13.4	11	3/8"NPT	11/16
PL1/4-N04		19	34.7	13.4	14	1/2"NPT	7/8
PL5/16-N01	5/16	23	29.5	15	7.5	1/8"NPT	9/16
PL5/16-N02		23	33	15	10.5	1/4"NPT	9/16
PL5/16-N03		23	34	15	11	3/8"NPT	11/16
PL5/16-N04		23	37	15	14	1/2"NPT	7/8
PL3/8-N01	3/8	27.5	34.3	18.8	7.5	1/8"NPT	11/16
PL3/8-N02		27.5	37.3	18.8	10.5	1/4"NPT	11/16
PL3/8-N03		27.5	38.8	18.8	11	3/8"NPT	11/16
PL3/8-N04		27.5	41.5	18.8	14	1/2"NPT	7/8
PL1/2-N01	1/2	29.5	37.5	21	7.5	1/8"NPT	7/8
PL1/2-N02		29.5	39.5	21	10.5	1/4"NPT	7/8
PL1/2-N03		29.5	40	21	11	3/8"NPT	7/8
PL1/2-N04		29.5	45	21	14	1/2"NPT	7/8

(G) Male Elbow

Model	ΦD	E	B	ΦP	A	G	H
PL04-G01	4	18	23.8	11	5.5	G1/8	14
PL04-G02		18	27.8	11	7.5	G1/4	17
PL06-G01	6	19	24.2	13.4	5.5	G1/8	14
PL06-G02		19	27.2	13.4	7.5	G1/4	17
PL06-G03		19	28.2	13.4	8.5	G3/8	20
PL06-G04		19	32.7	13.4	11	G1/2	24
PL08-G01	8	23	27.5	15	5.5	G1/8	14
PL08-G02		23	31	15	7.5	G1/4	17
PL08-G03		23	32	15	8.5	G3/8	20
PL08-G04		23	35	15	11	G1/2	24
PL10-G01	10	27.5	32.3	18.8	5.5	G1/8	17
PL10-G02		27.5	35.3	18.8	7.5	G1/4	17
PL10-G03		27.5	35.8	18.8	8.5	G3/8	20
PL10-G04		27.5	39.5	18.8	11	G1/2	24
PL12-G01	12	29.5	35.5	21	5.5	G1/8	20
PL12-G02		29.5	37.5	21	7.5	G1/4	20
PL12-G03		29.5	38	21	8.5	G3/8	20
PL12-G04		29.5	43	21	11	G1/2	24
PL16-G02	16	31.5	40	26	7.5	G1/4	24
PL16-G03		31.5	41	26	8.5	G3/8	24
PL16-G04		31.5	44	26	11	G1/2	24

PLL Male Long Elbow Push In Tube Fitting



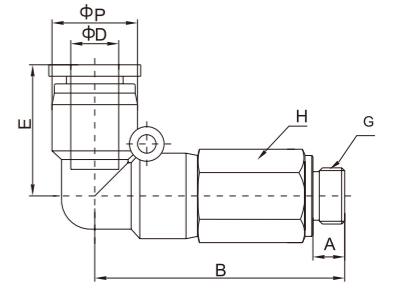
PT (BSPT) Male Long Elbow

Model	ΦD	E	B	ΦP	A	R	H
PLL04-M5	4	18	32	11	4	M5	10
PLL04-01		18	34	11	7	1/8"PT	10
PLL04-02		18	37	11	9.5	1/4"PT	14
PLL06-M5	6	19	34.5	13.4	4	M5	12
PLL06-01		19	37.5	13.4	7	1/8"PT	12
PLL06-02		19	40	13.4	9.5	1/4"PT	14
PLL06-03		19	41.5	13.4	10	3/8"PT	17
PLL06-04		19	45	13.4	13	1/2"PT	21
PLL08-01	8	23	42.5	15	7	1/8"PT	14
PLL08-02		23	44.5	15	9.5	1/4"PT	14
PLL08-03		23	46.5	15	10	3/8"PT	17
PLL08-04		23	50	15	13	1/2"PT	21
PLL10-01	10	27.5	52	18.8	7	1/8"PT	17
PLL10-02		27.5	54	18.8	9.5	1/4"PT	17
PLL10-03		27.5	55	18.8	10	3/8"PT	17
PLL10-04		27.5	58.5	18.8	13	1/2"PT	21
PLL12-01	12	29.5	59	21	7	1/8"PT	19
PLL12-02		29.5	59.5	21	9.5	1/4"PT	19
PLL12-03		29.5	60.5	21	10	3/8"PT	19
PLL12-04		29.5	64	21	13	1/2"PT	21
PLL16-02	16	31.5	72	26	9.5	1/4"PT	24
PLL16-03		31.5	74	26	10	3/8"PT	24
PLL16-04		31.5	78	26	13	1/2"PT	24

(NPT) Male Long Elbow

Model	ΦD	E	B	ΦP	A	R	H
PLL1/8-N01	1/8	18	33	11	7.5	1/8"NPT	7/16
PLL1/8-N02		18	35	11	10.5	1/4"NPT	9/16
PLL5/32-N01	5/32	18	33	11	7.5	1/8"NPT	7/16
PLL5/32-N02		18	35	11	10.5	1/4"NPT	9/16
PLL1/4-N01	1/4	19	38.5	13.4	7.5	1/8"NPT	1/2
PLL1/4-N02		19	41	13.4	10.5	1/4"NPT	9/16
PLL1/4-N03		19	42.5	13.4	11	3/8"NPT	11/16
PLL1/4-N04		19	46	13.4	14	1/2"NPT	7/8
PLL5/16-N01	5/16	23	43.5	15	7.5	1/8"NPT	9/16
PLL5/16-N02		23	45.5	15	10.5	1/4"NPT	9/16
PLL5/16-N03		23	47.5	15	11	3/8"NPT	11/16
PLL5/16-N04		23	51	15	14	1/2"NPT	7/8
PLL3/8-N01	3/8	27.5	53	18.8	7.5	1/8"NPT	11/16
PLL3/8-N02		27.5	55	18.8	10.5	1/4"NPT	11/16
PLL3/8-N03		27.5	56	18.8	11	3/8"NPT	11/16
PLL3/8-N04		27.5	59.5	18.8	14	1/2"NPT	7/8
PLL1/2-N01	1/2	29.5	60	21	7.5	1/8"NPT	7/8
PLL1/2-N02		29.5	60.5	21	10.5	1/4"NPT	7/8
PLL1/2-N03		29.5	61.5	21	11	3/8"NPT	7/8
PLL1/2-N04		29.5	65	21	14	1/2"NPT	7/8

PLL-G

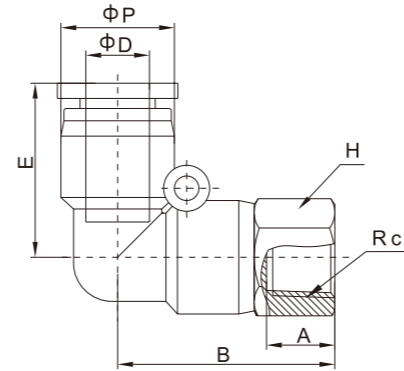


(G) Male Long Elbow

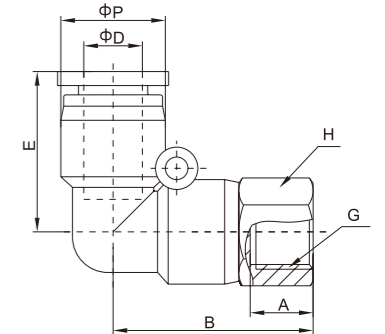
Model	ΦD	E	B	ΦP	A	G	H
PLL04-G01	4	18	35	11	5.5	G1/8	14
PLL04-G02		18	38	11	7.5	G1/4	17
PLL06-G01	6	19	38	13.4	5.5	G1/8	14
PLL06-G02		19	41	13.4	7.5	G1/4	17
PLL06-G03		19	42	13.4	8.5	G3/8	20
PLL06-G04		19	45	13.4	11	G1/2	24
PLL08-G01	8	23	43	15	5.5	G1/8	14
PLL08-G02		23	45	15	7.5	G1/4	17
PLL08-G03		23	47	15	8.5	G3/8	20
PLL08-G04		23	50	15	11	G1/2	24
PLL10-G01	10	27.5	52	18.8	5.5	G1/8	17
PLL10-G02		27.5	54	18.8	7.5	G1/4	17
PLL10-G03		27.5	55	18.8	8.5	G3/8	20
PLL10-G04		27.5	58.5	18.8	11	G1/2	24
PLL12-G01	12	29.5	59	21	5.5	G1/8	20
PLL12-G02		29.5	59.5	21	7.5	G1/4	20
PLL12-G03		29.5	60.5	21	8.5	G3/8	20
PLL12-G04		29.5	64	21	11	G1/2	24
PLL16-G02	16	31.5	70	26	7.5	G1/4	24
PLL16-G03		31.5	73	26	8.5	G3/8	24
PLL16-G04		31.5	76	26	11	G1/2	24

PLF Female Elbow Push In Tube Fitting

PLF



PLF-G



PT (BSPT) Female Elbow

Model	ΦD	E	B	ΦP	A	R	H
PLF04-M5	4	18	21.2	11	4	M5	10
PLF04-01		18	23.5	11	7	1/8"PT	14
PLF04-02		18	26.5	11	9.5	1/4"PT	17
PLF06-M5	6	19	21.8	13.4	4	M5	12
PLF06-01		19	24.2	13.4	7	1/8"PT	12
PLF06-02		19	27.2	13.4	9.5	1/4"PT	17
PLF06-03		19	28.8	13.4	10	3/8"PT	21
PLF06-04	19	30.8	13.4	13	1/2"PT	24	
PLF08-01	8	23	27.5	15	7	1/8"PT	14
PLF08-02		23	31	15	9.5	1/4"PT	17
PLF08-03		23	32	15	10	3/8"PT	21
PLF08-04		23	34	15	13	1/2"PT	24
PLF10-01	10	27.5	31.8	18.8	7	1/8"PT	17
PLF10-02		27.5	35	18.8	9.5	1/4"PT	17
PLF10-03		27.5	36	18.8	10	3/8"PT	21
PLF10-04		27.5	38	18.8	13	1/2"PT	24
PLF12-01	12	29.5	33.5	21	7	1/8"PT	21
PLF12-02		29.5	37	21	9.5	1/4"PT	21
PLF12-03		29.5	38	21	10	3/8"PT	21
PLF12-04		29.5	40	21	13	1/2"PT	24

(NPT) Female Elbow

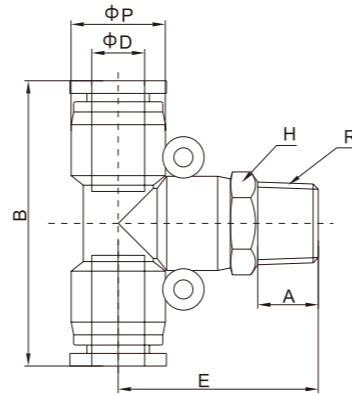
Model	ΦD	E	B	ΦP	A	R	H
PLF1/8-N01	1/8	18	22.2	11	7.5	1/8"NPT	9/16
PLF1/8-N02		18	25.5	11	10.5	1/4"NPT	11/16
PLF5/32-N01	5/32	18	22.2	11	7.5	1/8"NPT	9/16
PLF5/32-N02		18	25.5	11	10.5	1/4"NPT	11/16
PLF1/4-N01	1/4	19	26.2	13.4	7.5	1/8"NPT	9/16
PLF1/4-N02		19	28.2	13.4	10.5	1/4"NPT	11/16
PLF1/4-N03		19	29.8	13.4	11	3/8"NPT	7/8
PLF1/4-N04		19	31.8	13.4	14	1/2"NPT	7/8
PLF5/16-N01	5/16	23	28.5	15	7.5	1/8"NPT	9/16
PLF5/16-N02		23	32	15	10.5	1/4"NPT	11/16
PLF5/16-N03		23	33	15	11	3/8"NPT	7/8
PLF5/16-N04		23	35	15	14	1/2"NPT	7/8
PLF3/8-N01	3/8	27.5	32.8	18.8	7.5	1/8"NPT	11/16
PLF3/8-N02		27.5	36	18.8	10.5	1/4"NPT	11/16
PLF3/8-N03		27.5	37	18.8	11	3/8"NPT	7/8
PLF3/8-N04		27.5	39	18.8	14	1/2"NPT	7/8
PLF1/2-N01	1/2	29.5	34.5	21	7.5	1/8"NPT	7/8
PLF1/2-N02		29.5	38	21	10.5	1/4"NPT	7/8
PLF1/2-N03		29.5	39	21	11	3/8"NPT	7/8
PLF1/2-N04		29.5	41	21	14	1/2"NPT	7/8

(G) Female Elbow

Model	ΦD	E	B	ΦP	A	G	H
PLF04-G01	4	18	21	11	5.5	G1/8	14
PLF04-G02		18	25.5	11	7.5	G1/4	17
PLF06-G01	6	19	22.5	13.4	5.5	G1/8	12
PLF06-G02		19	25	13.4	7.5	G1/4	17
PLF06-G03		19	27.5	13.4	8.5	G3/8	21
PLF06-G04		19	39	13.4	11	G1/2	24
PLF08-G01	8	23	26.5	15	5.5	G1/8	14
PLF08-G02		23	29	15	7.5	G1/4	17
PLF08-G03		23	31	15	8.5	G3/8	21
PLF08-G04		23	32	15	11	G1/2	24
PLF10-G01	10	27.5	31	18.8	5.5	G1/8	17
PLF10-G02		27.5	34	18.8	7.5	G1/4	17
PLF10-G03		27.5	35	18.8	8.5	G3/8	21
PLF10-G04		27.5	36	18.8	11	G1/2	24
PLF12-G01	12	29.5	32.5	21	5.5	G1/8	21
PLF12-G02		29.5	36	21	7.5	G1/4	21
PLF12-G03		29.5	37	21	8.5	G3/8	21
PLF12-G04		29.5	38	21	11	G1/2	24

PB Male Branch Tee

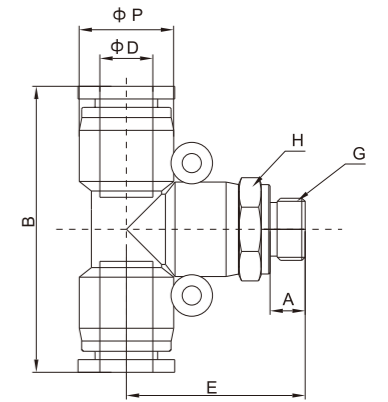
PB



PT (BSPT) Branch Tee

Model	ΦD	E	B	ΦP	A	R	H
PB04-M5	4	22	36.5	11	4	M5	10
PB04-01		24.5	36.5	11	7	1/8"PT	10
PB04-02		27.5	36.5	11	9.5	1/4"PT	14
PB06-M5	6	23	38.5	13.4	4	M5	12
PB06-01		25.5	38.5	13.4	7	1/8"PT	12
PB06-02		28.5	38.5	13.4	9.5	1/4"PT	14
PB06-03		29.5	38.5	13.4	10	3/8"PT	17
PB06-04		34	38.5	13.4	13	1/2"PT	21
PB08-01	8	28.5	45.5	15	7	1/8"PT	14
PB08-02		32	45.5	15	9.5	1/4"PT	14
PB08-03		33	45.5	15	10	3/8"PT	17
PB08-04		36	45.5	15	13	1/2"PT	21
PB10-01	10	34	56	18.8	7	1/8"PT	17
PB10-02		37	56	18.8	9.5	1/4"PT	17
PB10-03		37.5	56	18.8	10	3/8"PT	17
PB10-04		41.5	56	18.8	13	1/2"PT	21
PB12-01	12	36.5	59	21	7	1/8"PT	21
PB12-02		38.5	59	21	9.5	1/4"PT	21
PB12-03		39	59	21	10	3/8"PT	21
PB12-04		42	59	21	13	1/2"PT	21
PB16-02	16	40.5	63	26	9.5	1/4"PT	24
PB16-03		41	63	26	10	3/8"PT	24
PB16-04		44	63	26	13	1/2"PT	24

PB-G



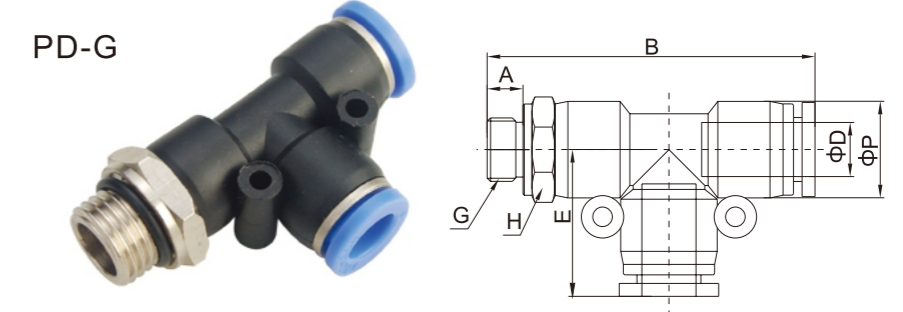
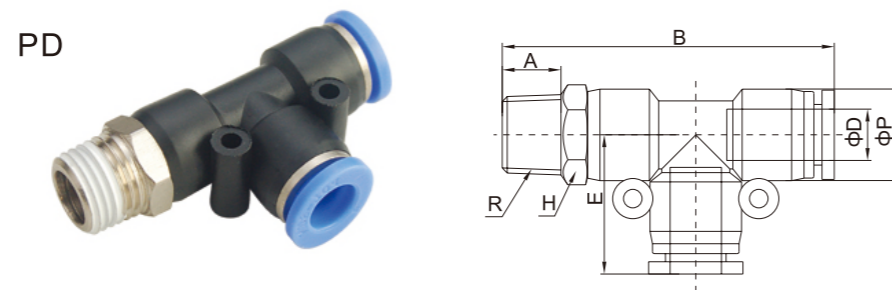
(G) Branch Tee

Model	ΦD	E	B	ΦP	A	G	H
PB04-G01	4	24	36.5	11	5.5	G1/8	14
PB04-G02		27	36.5	11	7.5	G1/4	17
PB06-G01	6	25	38.5	13.4	5.5	G1/8	14
PB06-G02		28	38.5	13.4	7.5	G1/4	17
PB06-G03		29	38.5	13.4	8.5	G3/8	20
PB06-G04		34	38.5	13.4	11	G1/2	24
PB08-G01	8	28	45.5	15	5.5	G1/8	14
PB08-G02		31	45.5	15	7.5	G1/4	17
PB08-G03		33	45.5	15	8.5	G3/8	20
PB08-G04		35	45.5	15	11	G1/2	24
PB10-G01	10	33	56	18.8	5.5	G1/8	17
PB10-G02		36	56	18.8	7.5	G1/4	17
PB10-G03		37	56	18.8	8.5	G3/8	20
PB10-G04		41	56	18.8	11	G1/2	24
PB12-G01	12	36	59	21	5.5	G1/8	21
PB12-G02		38	59	21	7.5	G1/4	21
PB12-G03		38	59	21	8.5	G3/8	21
PB12-G04		41	59	21	11	G1/2	24
PB16-G02	16	39.5	63	26	7.5	G1/4	24
PB16-G03		40	63	26	8.5	G3/8	24
PB16-G04		43	63	26	11	G1/2	24

(NPT) Branch Tee

Model	ΦD	E	B	ΦP	A	R	H
PB1/8-N01	1/8	25.5	36.5	11	7.5	1/8"NPT	7/16
PB1/8-N02		28.5	36.5	11	10.5	1/4"NPT	9/16
PB5/32-N01	5/32	25.5	36.5	11	7.5	1/8"NPT	7/16
PB5/32-N02		28.5	36.5	11	10.5	1/4"NPT	9/16
PB1/4-N01	1/4	26.5	38.5	13.4	7.5	1/8"NPT	1/2
PB1/4-N02		29.5	38.5	13.4	10.5	1/4"NPT	9/16
PB1/4-N03		30.5	38.5	13.4	11	3/8"NPT	11/16
PB1/4-N04		35	38.5	13.4	14	1/2"NPT	7/8
PB5/16-N01	5/16	29	45.5	15	7.5	1/8"NPT	9/16
PB5/16-N02		33	45.5	15	10.5	1/4"NPT	9/16
PB5/16-N03		34	45.5	15	11	3/8"NPT	11/16
PB5/16-N04		37	45.5	15	14	1/2"NPT	7/8
PB3/8-N01	3/8	35	56	18.8	7.5	1/8"NPT	11/16
PB3/8-N02		38	56	18.8	10.5	1/4"NPT	11/16
PB3/8-N03		38.5	56	18.8	11	3/8"NPT	11/16
PB3/8-N04		42.5	56	18.8	14	1/2"NPT	7/8
PB1/2-N01	1/2	37.5	59	21	7.5	1/8"NPT	7/8
PB1/2-N02		39.5	59	21	10.5	1/4"NPT	7/8
PB1/2-N03		42	59	21	11	3/8"NPT	7/8
PB1/2-N04		43	59	21	14	1/2"NPT	7/8

PD Male Run Tee



PT (BSPT) Run Tee

Model	ΦD	E	B	ΦP	A	R	H
PD04-M5	4	18	40.5	11	4	M5	10
PD04-01		18	43	11	7	1/8"PT	10
PD04-02		18	46	11	9.5	1/4"PT	14
PD06-M5	6	19	42	13.4	4	M5	12
PD06-01		19	45	13.4	7	1/8"PT	12
PD06-02		19	47.5	13.4	9.5	1/4"PT	14
PD06-03		19	48.5	13.4	10	3/8"PT	17
PD06-04		19	53	13.4	13	1/2"PT	21
PD08-01	8	23	51.5	15	7	1/8"PT	14
PD08-02		23	55	15	9.5	1/4"PT	14
PD08-03		23	56	15	10	3/8"PT	17
PD08-04		23	59	15	13	1/2"PT	21
PD10-01		10	28	62	18.8	7	1/8"PT
PD10-02	28		65	18.8	9.5	1/4"PT	17
PD10-03	28		66.5	18.8	10	3/8"PT	17
PD10-04	28		69.5	18.8	13	1/2"PT	21
PD12-01	12		29.5	66	21	7	1/8"PT
PD12-02		29.5	68	21	9.5	1/4"PT	21
PD12-03		29.5	68.5	21	10	3/8"PT	21
PD12-04		29.5	71.5	21	13	1/2"PT	21
PD16-02		16	31	72.5	26	9.5	1/4"PT
PD16-03	31		73	26	10	3/8"PT	24
PD16-04	31		76	26	13	1/2"PT	24

(NPT) Run Tee

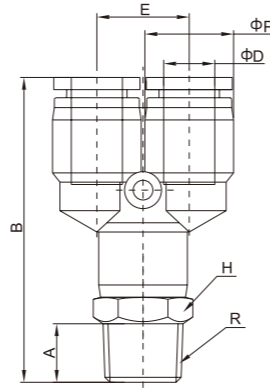
Model	ΦD	E	B	ΦP	A	R	H	
PD1/8-N01	1/8	18	41.5	11	7.5	1/8"NPT	7/16	
PD1/8-N02		18	44	11	10.5	1/4"NPT	9/16	
PD5/32-N01	5/32	18	41.5	11	7.5	1/8"NPT	7/16	
PD5/32-N02		18	44	11	10.5	1/4"NPT	9/16	
PD1/4-N01	1/4	19	46	13.4	7.5	1/8"NPT	1/2	
PD1/4-N02		19	48.5	13.4	10.5	1/4"NPT	9/16	
PD1/4-N03		19	49.5	13.4	11	3/8"NPT	11/16	
PD1/4-N04	1/4	19	54	13.4	14	1/2"NPT	7/8	
PD5/16-N01		5/16	23	52.5	15	7.5	1/8"NPT	9/16
PD5/16-N02			23	56	15	10.5	1/4"NPT	9/16
PD5/16-N03			23	57	15	11	3/8"NPT	11/16
PD5/16-N04	23		60	15	14	1/2"NPT	7/8	
PD3/8-N01	3/8	28	63	18.8	7.5	1/8"NPT	11/16	
PD3/8-N02		28	66	18.8	10.5	1/4"NPT	11/16	
PD3/8-N03		28	67.5	18.8	11	3/8"NPT	11/16	
PD3/8-N04	3/8	28	70	18.8	14	1/2"NPT	7/8	
PD1/2-N01		1/2	29.5	67	21	7.5	1/8"NPT	7/8
PD1/2-N02			29.5	69	21	10.5	1/4"NPT	7/8
PD1/2-N03			29.5	69.5	21	11	3/8"NPT	7/8
PD1/2-N04	29.5		72.5	21	14	1/2"NPT	7/8	

(G) Run Tee

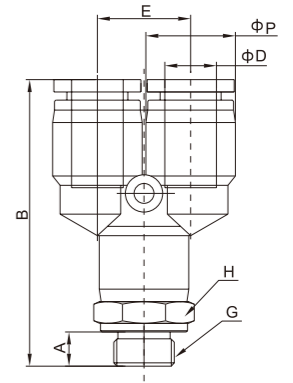
Model	ΦD	E	B	ΦP	A	G	H
PD04-G01	4	18	42	11	5.5	G1/8	14
PD04-G02		18	45	11	7.5	G1/4	17
PD06-G01	6	19	44	13.4	5.5	G1/8	14
PD06-G02		19	46	13.4	7.5	G1/4	17
PD06-G03		19	47	13.4	8.5	G3/8	20
PD06-G04		19	52	13.4	11	G1/2	24
PD08-G01	8	23	50	15	5.5	G1/8	14
PD08-G02		23	53	15	7.5	G1/4	17
PD08-G03		23	55	15	8.5	G3/8	20
PD08-G04		23	58	15	11	G1/2	24
PD10-G01	10	28	61	18.8	5.5	G1/8	17
PD10-G02		28	63	18.8	7.5	G1/4	17
PD10-G03		28	65	18.8	8.5	G3/8	20
PD10-G04		28	68	18.8	11	G1/2	24
PD12-G01	12	29.5	65	21	5.5	G1/8	21
PD12-G02		29.5	66.5	21	7.5	G1/4	21
PD12-G03		29.5	67.5	21	8.5	G3/8	21
PD12-G04		29.5	70	21	11	G1/2	24
PD16-G02	16	31	71	26	7.5	G1/4	24
PD16-G03		31	73	26	8.5	G3/8	24
PD16-G04		31	75	26	11	G1/2	24

PX Male Y Branch

PX



PX-G



PT (BSPT) Run Y

Model	ΦD	E	B	ΦP	A	R	H
PX04-M5	4	11	39.5	11	4	M5	10
PX04-01		11	42	11	7	1/8"PT	10
PX04-02		1	45	1	9.5	1/4"PT	14
PX06-M5	6	13.4	40.5	13.4	4	M5	12
PX06-01		13.4	43.5	13.4	7	1/8"PT	12
PX06-02		13.4	46.5	13.4	9.5	1/4"PT	14
PX06-03		13.4	47.5	13.4	10	3/8"PT	17
PX06-04		13.4	51.5	13.4	13	1/2"PT	21
PX08-01	8	15	46	15	7	1/8"PT	14
PX08-02		15	49.5	15	9.5	1/4"PT	14
PX08-03		15	51	15	10	3/8"PT	17
PX08-04		15	54	15	13	1/2"PT	21
PX10-01	10	18.8	60	18.8	7	1/8"PT	17
PX10-02		18.8	63	18.8	9.5	1/4"PT	17
PX10-03		18.8	64	18.8	10	3/8"PT	17
PX10-04		18.8	66.5	18.8	13	1/2"PT	21
PX12-01	12	21	65	21	7	1/8"PT	19
PX12-02		21	70	21	9.5	1/4"PT	19
PX12-03		21	70.5	21	10	3/8"PT	19
PX12-04		21	73	21	13	1/2"PT	21

(NPT) Run Y

Model	ΦD	E	B	ΦP	A	R	H
PX5/32-N01	5/32	11	42	11	7	1/8"NPT	10
PX5/32-N02		11	45	11	9.5	1/4"NPT	14
PX1/4-N01	1/4	13.4	43.5	13.4	7	1/8"NPT	12
PX1/4-N02		13.4	46.5	13.4	9.5	1/4"NPT	14
PX1/4-N03		13.4	47.5	13.4	10	3/8"NPT	17
PX1/4-N04		13.4	51.5	13.4	13	1/2"NPT	21
PX5/16-N01	5/16	15	46	15	7	1/8"NPT	14
PX5/16-N02		15	49.5	15	9.5	1/4"NPT	14
PX5/16-N03		15	51	15	10	3/8"NPT	17
PX5/16-N04		15	54	15	13	1/2"NPT	21
PX3/8-N01	3/8	18.8	60	18.8	7	1/8"NPT	17
PX3/8-N02		18.8	63	18.8	9.5	1/4"NPT	17
PX3/8-N03		18.8	64	18.8	10	3/8"NPT	17
PX3/8-N04		18.8	66.5	18.8	13	1/2"NPT	21
PX1/2-N01	1/2	21	65	21	7	1/8"NPT	19
PX1/2-N02		21	70	21	9.5	1/4"NPT	19
PX1/2-N03		21	70.5	21	10	3/8"NPT	19
PX1/2-N04		21	73	21	13	1/2"NPT	21

(G) Run Y

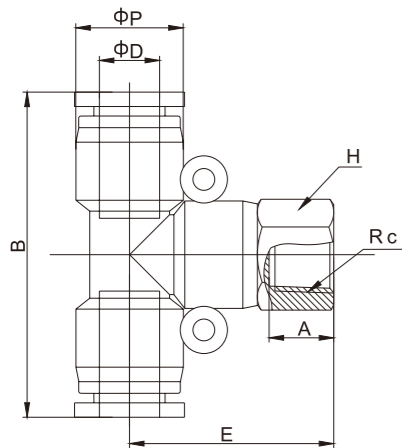
Model	ΦD	E	B	ΦP	A	G	H
PX04-G01	4	11	41	11	5.5	G1/8	14
PX04-G02		11	43	11	7.5	G1/4	17
PX06-G01	6	13.4	43	13.4	5.5	G1/8	14
PX06-G02		13.4	46	13.4	7.5	G1/4	17
PX06-G03		13.4	47	13.4	8.5	G3/8	20
PX06-G04		13.4	51	13.4	11	G1/2	24
PX08-G01	8	15	46	15	5.5	G1/8	14
PX08-G02		15	49	15	7.5	G1/4	17
PX08-G03		15	51	15	8.5	G3/8	20
PX08-G04		15	54	15	11	G1/2	24
PX10-G01	10	18.8	60	18.8	5.5	G1/8	17
PX10-G02		18.8	63	18.8	7.5	G1/4	17
PX10-G03		18.8	64	18.8	8.5	G3/8	20
PX10-G04		18.8	65	18.8	11	G1/2	24
PX12-G01	12	21	65	21	5.5	G1/8	20
PX12-G02		21	68	21	7.5	G1/4	20
PX12-G03		21	70	21	8.5	G3/8	20
PX12-G04		21	72	21	11	G1/2	24

PBF Female Tee Push In Tube Fitting

PT (BSPT) Female Tee

Model	ΦD	E	B	ΦP	A	R	H
PBF04-M5	4	21.2	36.5	11	4.5	M5	10
PBF04-01		23.5	36.5	11	7	1/8"PT	10
PBF04-02		26.5	36.5	11	10	1/4"PT	14
PBF06-M5	6	21.8	38.5	13.4	4.5	M5	12
PBF06-01		24.2	38.5	13.4	7	1/8"PT	12
PBF06-02		27.2	38.5	13.4	10	1/4"PT	14
PBF06-03		28.8	38.5	13.4	11	3/8"PT	17
PBF06-04		30.8	38.5	13.4	13	1/2"PT	21
PBF08-01	8	27.5	45.5	15	7	1/8"PT	14
PBF08-02		31	45.5	15	10	1/4"PT	14
PBF08-03		32	45.5	15	11	3/8"PT	17
PBF08-04		34	45.5	15	13	1/2"PT	21
PBF10-01	10	31.8	56	18.8	7	1/8"PT	17
PBF10-02		35	56	18.8	10	1/4"PT	17
PBF10-03		36	56	18.8	11	3/8"PT	17
PBF10-04		38	56	18.8	13	1/2"PT	21
PBF12-01	12	33.5	59	21	7	1/8"PT	21
PBF12-02		37	59	21	10	1/4"PT	21
PBF12-03		38	59	21	11	3/8"PT	21
PBF12-04		40	59	21	13	1/2"PT	21
PBF16-02	16	40.5	63	26	10	1/4"PT	24
PBF16-03		41	63	26	11	3/8"PT	24
PBF16-04		44	63	26	13	1/2"PT	24

PBF

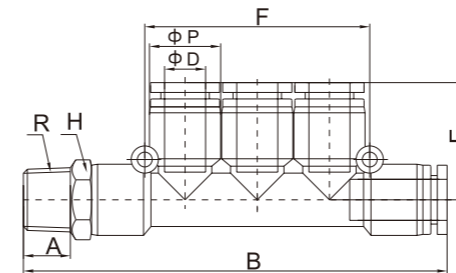


(NPT) Female Tee

Model	ΦD	E	B	ΦP	A	R	H
PBF5/32-N01	5/32	23.5	36.5	11	7	1/8"NPT	10
PBF5/32-N02		26.5	36.5	11	10	1/4"NPT	14
PBF1/4-N01	1/4	24.2	38.5	13.4	7	1/8"NPT	12
PBF1/4-N02		27.2	38.5	13.4	10	1/4"NPT	14
PBF1/4-N03		28.8	38.5	13.4	11	3/8"NPT	17
PBF1/4-N04		30.8	38.5	13.4	13	1/2"NPT	21
PBF5/16-N01	5/16	27.5	45.5	15	7	1/8"NPT	14
PBF5/16-N02		31	45.5	15	10	1/4"NPT	14
PBF5/16-N03		32	45.5	15	11	3/8"NPT	17
PBF5/16-N04		34	45.5	15	13	1/2"NPT	21
PBF3/8-N01	3/8	31.8	56	18.8	7	1/8"NPT	17
PBF3/8-N02		35	56	18.8	10	1/4"NPT	17
PBF3/8-N03		36	56	18.8	11	3/8"NPT	17
PBF3/8-N04		38	56	18.8	13	1/2"NPT	21
PBF1/2-N01	1/2	33.5	59	21	7	1/8"NPT	21
PBF1/2-N02		37	59	21	10	1/4"NPT	21
PBF1/2-N03		38	59	21	11	3/8"NPT	21
PBF1/2-N04		40	59	21	13	1/2"NPT	21
PBF5/8-N02	16	40.5	63	26	10	1/4"NPT	24
PBF5/8-N03		41	63	26	11	3/8"NPT	24
PBF5/8-N04		44	63	26	13	1/2"NPT	24

PKB Male Equal Multiple Branch

PKB



PT(BSPT)Male Thread Equal Multiple Branch

Model	ΦD	B	E	A	R	F	ΦP	H
PKB04-01	4	63.1	19	7	1/8"PT	35.8	13.4	12
PKB04-02		66.5	19	9.5	1/4"PT	35.8	13.4	14
PKB06-01	6	70.5	20.2	7	1/8"PT	42.8	15	14
PKB06-02		74	20.2	9.5	1/4"PT	42.8	15	14
PKB06-03		75	20.2	10	3/8"PT	42.8	15	17
PKB08-01	8	86.5	23.8	7	1/8"PT	49.6	18.8	14
PKB08-02		89.5	23.8	9.5	1/4"PT	49.6	18.8	14
PKB08-03		90.5	23.8	10	3/8"PT	49.6	18.8	17
PKB10-02	10	104	29	9.5	1/4"PT	59.6	21	17
PKB10-03		105.5	29	10	3/8"PT	59.6	21	17
PKB10-04		110	29	13	1/2"PT	59.6	21	21

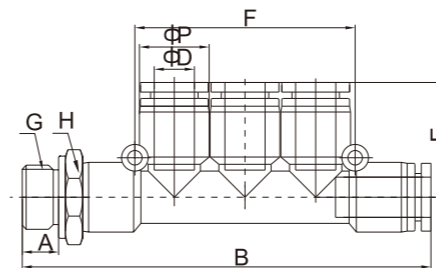
(NPT)Male Thread Equal Multiple Branch

Model	ΦD	B	E	A	R	F	ΦP	H
PKB5/32-N01	5/32	63.1	19	7	1/8"NPT	35.8	13.4	12
PKB5/32-N02		66.5	19	9.5	1/4"NPT	35.8	13.4	14
PKB1/4-N01	1/4	70.5	20.2	7	1/8"NPT	42.8	15	14
PKB1/4-N02		74	20.2	9.5	1/4"NPT	42.8	15	14
PKB1/4-N03		75	20.2	10	3/8"NPT	42.8	15	17
PKB5/16-N01	5/16	86.5	23.8	7	1/8"NPT	49.6	18.8	14
PKB5/16-N02		89.5	23.8	9.5	1/4"NPT	49.6	18.8	14
PKB5/16-N03		90.5	23.8	10	3/8"NPT	49.6	18.8	17
PKB3/8-N01	3/8	104	29	9.5	1/4"NPT	59.6	21	17
PKB3/8-N02		105.5	29	10	3/8"NPT	59.6	21	17
PKB3/8-N03		110	29	13	1/2"NPT	59.6	21	21

(G)Male Thread Equal Multiple Branch

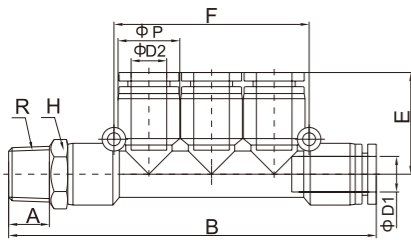
Model	ΦD	B	E	A	G	F	ΦP	H
PKB04-G01	4	63	19	5.5	G1/8	35.8	13.4	14
PKB04-G02		66	19	7.5	G1/4	35.8	13.4	17
PKB06-G01	6	70	20.2	5.5	G1/8	42.8	15	14
PKB06-G02		73	20.2	7.5	G1/4	42.8	15	17
PKB06-G03		75	20.2	8.5	G3/8	42.8	15	20
PKB08-G01	8	86	23.8	5.5	G1/8	49.6	18.8	14
PKB08-G02		89	23.8	7.5	G1/4	49.6	18.8	17
PKB08-G03		90	23.8	8.5	G3/8	49.6	18.8	20
PKB10-G02	10	101	29	7.5	G1/4	59.6	21	17
PKB10-G03		103	29	8.5	G3/8	59.6	21	17
PKB10-G04		106	29	11	G1/2	59.6	21	24

PKB-G



PKD Male Unequal Multiple Branch

PKD



PT(BSPT)Male Thread Unequal Multiple Branch

Model	ΦD1	ΦD2	B	E	A	R	F	ΦP	H
PKD06-04-01	6	4	63.1	19	7	1/8"PT	35.8	13.4	12
PKD06-04-02			66.5	19	9.5	1/4"PT	35.8	13.4	14
PKD08-06-01	8	6	70.5	20.2	7	1/8"PT	42.8	15	14
PKD08-06-02			74	20.2	9.5	1/4"PT	42.8	15	14
PKD08-06-03			75	20.2	10	3/8"PT	42.8	15	17
PKD10-08-01	10	8	86.5	23.8	7	1/8"PT	49.6	18.8	14
PKD10-08-02			89.5	23.8	9.5	1/4"PT	49.6	18.8	14
PKD10-08-03			90.5	23.8	10	3/8"PT	49.6	18.8	17
PKD12-10-02	12	10	104	29	9.5	1/4"PT	59.6	21	17
PKD12-10-03			105.5	29	10	3/8"PT	59.6	21	17
PKD12-10-04			110	29	13	1/2"PT	59.6	21	21

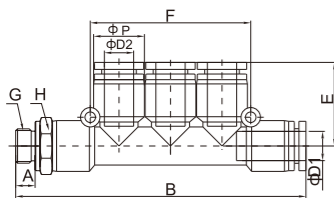
(NPT)Male Thread Unequal Multiple Branch

Model	ΦD1	ΦD2	B	E	A	R	F	ΦP	H
PKD1/4-5/32-N01	6	4	63.1	19	7	1/8"NPT	35.8	13.4	12
PKD1/4-5/32-N02			66.5	19	9.5	1/4"NPT	35.8	13.4	14
PKD5/16-1/4-N01	8	6	70.5	20.2	7	1/8"NPT	42.8	15	14
PKD5/16-1/4-N02			74	20.2	9.5	1/4"NPT	42.8	15	14
PKD5/16-1/4-N03			75	20.2	10	3/8"NPT	42.8	15	17
PKD3/8-5/16-N01	10	8	86.5	23.8	7	1/8"NPT	49.6	18.8	14
PKD3/8-5/16-N02			89.5	23.8	9.5	1/4"NPT	49.6	18.8	14
PKD3/8-5/16-N03			90.5	23.8	10	3/8"NPT	49.6	18.8	17
PKD1/2-3/8-N01	12	10	104	29	9.5	1/4"NPT	59.6	21	17
PKD1/2-3/8-N02			105.5	29	10	3/8"NPT	59.6	21	17
PKD1/2-3/8-N03			110	29	13	1/2"NPT	59.6	21	21

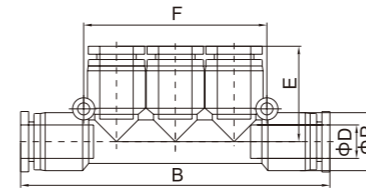
(G)Male Thread Unequal Multiple Branch

Model	ΦD1	ΦD2	B	E	A	G	F	ΦP	H
PKD06-04-G01	6	4	62	19	5.5	G1/8	35.8	13.4	14
PKD06-04-G02			65.5	19	7.5	G1/4	35.8	13.4	17
PKD08-06-G01	8	6	69	20.2	5.5	G1/8	42.8	15	14
PKD08-06-G02			72	20.2	7.5	G1/4	42.8	15	17
PKD08-06-G03			73	20.2	8.5	G3/8	42.8	15	20
PKD10-08-G01	10	8	85	23.8	5.5	G1/8	49.6	18.8	14
PKD10-08-G02			88	23.8	7.5	G1/4	49.6	18.8	17
PKD10-08-G03			90	23.8	8.5	G3/8	49.6	18.8	20
PKD12-10-G02	12	10	102	29	7.5	G1/4	59.6	21	17
PKD12-10-G03			103	29	8.5	G3/8	59.6	21	17
PKD12-10-G04			108	29	11	G1/2	59.6	21	24

PKD-G



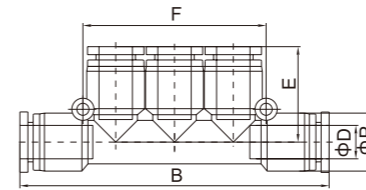
PK



Equal Multiple Branch

Model	ΦD	B	E	F	ΦP
PK04	4	57	19	35.8	13.4
PK06	6	64	20.2	42.8	15
PK08	8	80.6	23.8	49.6	18.8
PK10	10	96	29	59.6	21

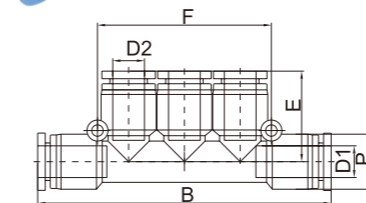
PK



Imperial Size Equal Multiple Branch

Model	ΦD	B	E	F	ΦP
PK5/32	5/32	57	19	35.8	13.4
PK1/4	1/4	64	20.2	42.8	15
PK5/16	5/16	80.6	23.8	49.6	18.8
PK3/8	3/8	96	29	59.6	21

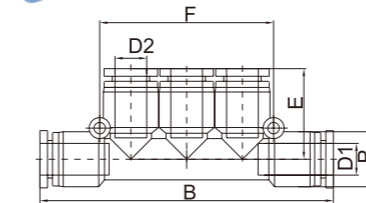
PKG



Unequal Multiple Branch

Model	ΦD1	B	E	ΦD2	F	ΦP
PKG06-04	6	57.5	19	4	35.8	13.4
PKG08-06	8	65	20.2	6	42.8	15
PKG10-08	10	81	23.8	8	49.6	18.8
PKG12-10	12	97	29	10	59.6	21

PKG

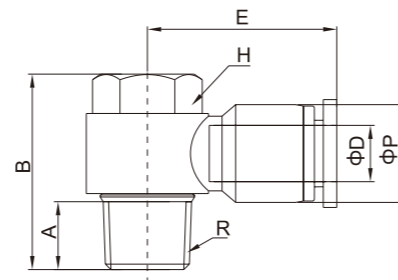


Imperial Size Unequal Multiple Branch

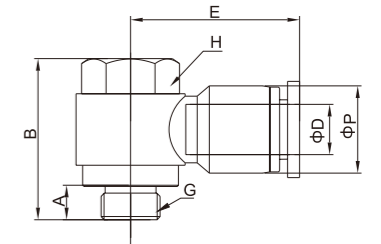
Model	ΦD1	B	E	ΦD2	F	ΦP
PKG1/4-5/32	1/4	57.5	19	5/32	35.8	13.4
PKG5/16-1/4	5/16	65	20.2	1/4	42.8	15
PKG3/8-5/16	3/8	81	23.8	5/16	49.6	18.8
PKG1/2-3/8	1/2	97	29	3/8	59.6	21

PH Male Single Banjo

PH



PH-G



PT (BSPT) Single Banjo

Model	ΦD	E	B	ΦP	A	R	H
PH04-M5	4	20	17	11	4	M5	8
PH04-01		22.5	26	11	7	1/8"PT	12
PH04-02		24	23.5	11	9.5	1/4"PT	14
PH06-M5	6	22	17	13.4	4	M5	8
PH06-01		23	23.5	13.4	7	1/8"PT	12
PH06-02		25	26	13.4	9.5	1/4"PT	14
PH06-03		27	31.5	13.4	10	3/8"PT	19
PH08-01	8	25.5	23.5	15	7	1/8"PT	12
PH08-02		28.5	26	15	9.5	1/4"PT	14
PH08-03		29.5	31.5	15	10	3/8"PT	19
PH08-04		32.5	38.5	15	13	1/2"PT	24
PH10-01	10	30	23.5	18.8	7	1/8"PT	12
PH10-02		32	26	18.8	9.5	1/4"PT	14
PH10-03		33	31.5	18.8	10	3/8"PT	19
PH10-04		36	38.5	18.8	13	1/2"PT	24
PH12-02	12	34	26	21	9.5	1/4"PT	14
PH12-03		35.5	31.5	21	10	3/8"PT	19
PH12-04		36.5	38.5	21	13	1/2"PT	24

(NPT) Single Banjo

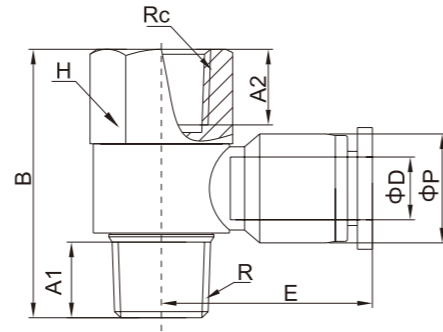
Model	ΦD	E	B	ΦP	A	R	H
PH5/32-N01	5/32	22.5	26	11	7	1/8"NPT	12
PH5/32-N02		24	23.5	11	9.5	1/4"NPT	14
PH1/4-N01	1/4	23	23.5	13.4	7	1/8"NPT	12
PH1/4-N02		25	26	13.4	9.5	1/4"NPT	14
PH1/4-N03		27	31.5	13.4	10	3/8"NPT	19
PH5/16-N01	5/16	25.5	23.5	15	7	1/8"NPT	12
PH5/16-N02		28.5	26	15	9.5	1/4"NPT	14
PH5/16-N03		29.5	31.5	15	10	3/8"NPT	19
PH5/16-N04		32.5	38.5	15	13	1/2"NPT	24
PH3/8-N01	3/8	30	23.5	18.8	7	1/8"NPT	12
PH3/8-N02		32	26	18.8	9.5	1/4"NPT	14
PH3/8-N03		33	31.5	18.8	10	3/8"NPT	19
PH3/8-N04		36	38.5	18.8	13	1/2"NPT	24
PH1/2-N02	1/2	34	26	21	9.5	1/4"NPT	14
PH1/2-N03		35.5	31.5	21	10	3/8"NPT	19
PH1/2-N04		36.5	38.5	21	13	1/2"NPT	24

(G) Single Banjo

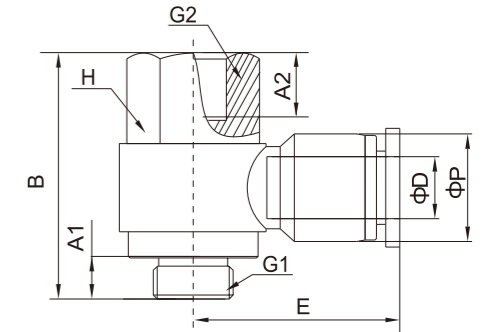
Model	ΦD	E	B	ΦP	A	G	H
PH04-G01	4	22.5	26	11	5.5	G1/8	12
PH04-G02		24	23.5	11	7.5	G1/4	14
PH06-G01	6	23	23.5	13.4	5.5	G1/8	12
PH06-G02		25	26	13.4	7.5	G1/4	14
PH06-G03		27	31.5	13.4	8.5	G3/8	19
PH08-G01	8	25.5	23.5	15	5.5	G1/8	12
PH08-G02		28.5	26	15	7.5	G1/4	14
PH08-G03		29.5	31.5	15	8.5	G3/8	19
PH08-G04		32.5	38.5	15	11	G1/2	24
PH10-G01	10	30	23.5	18.8	5.5	G1/8	12
PH10-G02		32	26	18.8	7.5	G1/4	14
PH10-G03		33	31.5	18.8	8.5	G3/8	19
PH10-G04		36	38.5	18.8	11	G1/2	24
PH12-G02	12	34	26	21	7.5	G1/4	14
PH12-G03		35.5	31.5	21	8.5	G3/8	19
PH12-G04		36.5	38.5	21	11	G1/2	24

PHF Female-Male Connector Banjo

PHF



PHF-G



PT (BSPT) Connector Banjo

Model	ΦD	E	B	ΦP	A1	A2	Rc	R	H	
PHF04-M5	4	20	19.5	11	4	5	M5	M5	8	
PHF04-01		22.5	29.5	11	7	8	1/8"PT	1/8"PT	12	
PHF04-02		24	34.5	11	9.5	10	1/4"PT	1/4"PT	17	
PHF06-M5	6	22	19.5	13.4	4	5	M5	M5	8	
PHF06-01		23	29.5	13.4	7	8	1/8"PT	1/8"PT	12	
PHF06-02		25	34.5	13.4	9.5	10	1/4"PT	1/4"PT	17	
PHF06-03	6	27	40.5	13.4	10	11	3/8"PT	3/8"PT	21	
PHF08-01		8	25.5	29.5	15	7	8	1/8"PT	1/8"PT	12
PHF08-02			28.5	34.5	15	9.5	10	1/4"PT	1/4"PT	17
PHF08-03	29.5		40.5	15	10	11	3/8"PT	3/8"PT	21	
PHF08-04	32.5		47.5	15	13	14	1/2"PT	1/2"PT	24	
PHF10-01	10	30	34.5	18.8	7	8	1/8"PT	1/8"PT	12	
PHF10-02		32	34.5	18.8	9.5	10	1/4"PT	1/4"PT	17	
PHF10-03		33	40.5	18.8	10	11	3/8"PT	3/8"PT	21	
PHF10-04		36	47.5	18.8	13	14	1/2"PT	1/2"PT	24	
PHF12-02	12	34	34.5	21	9.5	10	1/4"PT	1/4"PT	17	
PHF12-03		35.5	40.5	21	10	11	3/8"PT	3/8"PT	21	
PHF12-04		36.5	47.5	21	13	14	1/2"PT	1/2"PT	24	

(NPT) Connector Banjo

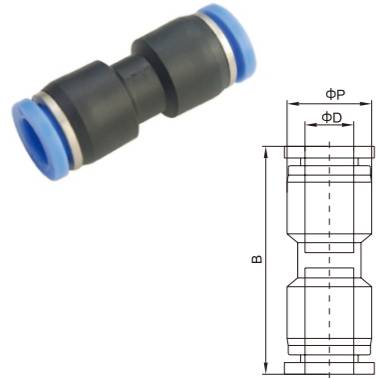
Model	ΦD	E	B	ΦP	A1	A2	Rc	R	H
PHF5/32-N01	5/32	22.5	29.5	11	7	8	1/8"NPT	1/8"NPT	12
PHF5/32-N02		24	34.5	11	9.5	10	1/4"NPT	1/4"NPT	17
PHF1/4-N01	1/4	23	29.5	13.4	7	8	1/8"NPT	1/8"NPT	12
PHF1/4-N02		25	34.5	13.4	9.5	10	1/4"NPT	1/4"NPT	17
PHF1/4-N03	1/4	27	40.5	13.4	10	11	3/8"NPT	3/8"NPT	21
PHF5/16-N01		5/16	25.5	29.5	15	7	8	1/8"NPT	1/8"NPT
PHF5/16-N02	28.5		34.5	15	9.5	10	1/4"NPT	1/4"NPT	17
PHF5/16-N03	29.5		40.5	15	10	11	3/8"NPT	3/8"NPT	21
PHF5/16-N04	32.5		47.5	15	13	14	1/2"NPT	1/2"NPT	24
PHF3/8-N01	3/8	30	34.5	18.8	7	8	1/8"NPT	1/8"NPT	12
PHF3/8-N02		32	34.5	18.8	9.5	10	1/4"NPT	1/4"NPT	17
PHF3/8-N03		33	40.5	18.8	10	11	3/8"NPT	3/8"NPT	21
PHF3/8-N04		36	47.5	18.8	13	14	1/2"NPT	1/2"NPT	24
PHF1/2-N02	1/2	34	34.5	21	9.5	10	1/4"NPT	1/4"NPT	17
PHF1/2-N03		35.5	40.5	21	10	11	3/8"NPT	3/8"NPT	21
PHF1/2-N04		36.5	47.5	21	13	14	1/2"NPT	1/2"NPT	24

(G) Connector Banjo

Model	ΦD	E	B	ΦP	A1	A2	G1	G2	H
PHF04-G01	4	22.5	29.5	11	5.5	7	G1/8	G1/8	12
PHF04-G02		24	34.5	11	7.5	10	G1/4	G1/4	17
PHF06-G01	6	23	29.5	13.4	5.5	7	G1/8	G1/8	12
PHF06-G02		25	34.5	13.4	7.5	10	G1/4	G1/4	17
PHF06-G03		27	40.5	13.4	8.5	11	G3/8	G3/8	21
PHF08-G01	8	25.5	29.5	15	5.5	7	G1/8	G1/8	12
PHF08-G02		28.5	34.5	15	7.5	10	G1/4	G1/4	17
PHF08-G03		29.5	40.5	15	8.5	11	G3/8	G3/8	21
PHF08-G04		32.5	47.5	15	11	13	G1/2	G1/2	24
PHF10-G01	10	30	34.5	18.8	5.5	7	G1/8	G1/8	12
PHF10-G02		32	34.5	18.8	7.5	10	G1/4	G1/4	17
PHF10-G03		33	40.5	18.8	8.5	11	G3/8	G3/8	21
PHF10-G04		36	47.5	18.8	11	13	G1/2	G1/2	24
PHF12-G02	12	34	34.5	21	7.5	10	G1/4	G1/4	17
PHF12-G03		35.5	40.5	21	8.5	11	G3/8	G3/8	21
PHF12-G04		36.5	47.5	21	11	13	G1/2	G1/2	24

PU Union Straight Push In Tube Fitting

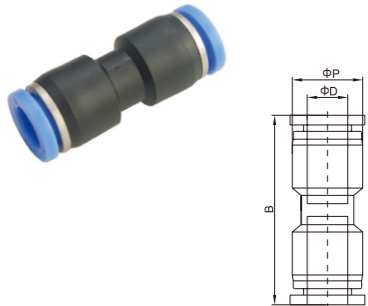
PU



Union Straight

Model	ΦD	B	ΦP
PU04	4	32.5	11
PU06	6	35	13.4
PU08	8	39	15
PU10	10	47	18.8
PU12	12	48.5	21
PU16	16	56	26

PU

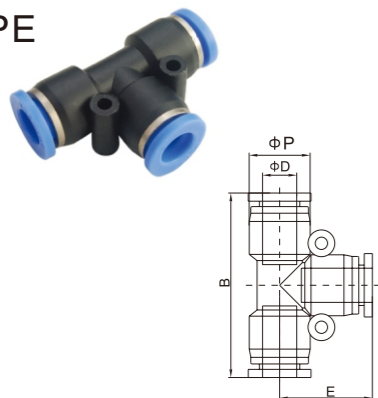


Imperial Size Union Straight

Model	ΦD	B	ΦP
PU1/8	1/8	32	11
PU5/32	5/32	32.5	11
PU1/4	1/4	35	13.4
PU5/16	5/16	39	15
PU3/8	3/8	47	18.8
PU1/2	1/2	48.5	21

PE Union Tee PushIn Tube Fitting

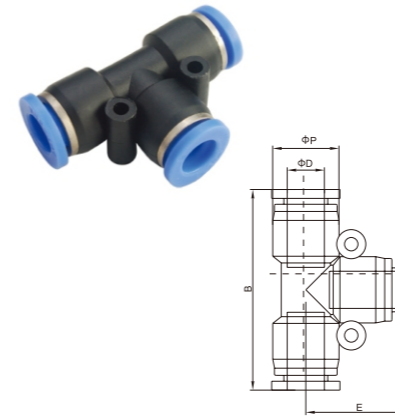
PE



Union Tee

Model	ΦD	B	ΦP	E
PE04	4	36.5	11	18
PE06	6	38.5	13.4	19
PE08	8	45.5	15	23
PE10	10	56	18.8	28
PE12	12	58.5	21	39.5
PE16	16	63	26	31

PE

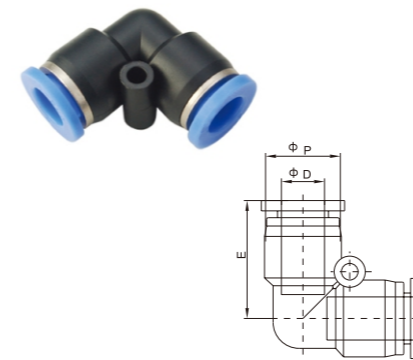


Imperial Size Union Tee

Model	ΦD	B	ΦP	E
PE1/8	1/8	36	11	18
PE5/32	5/32	36.5	11	18
PE1/4	1/4	38.5	13.4	19
PE5/16	5/16	45.5	15	23
PE3/8	3/8	56	18.8	28
PE1/2	1/2	58.5	21	39.5

PV Union Elbow Push In Tube Fitting

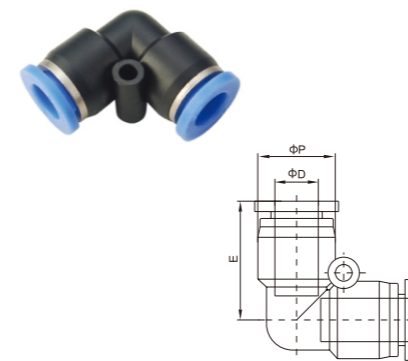
PV



Union Elbow

Model	ΦD	E	ΦP
PV04	4	18	11
PV06	6	19	13.4
PV08	8	23	15
PV10	10	27.5	18.8
PV12	12	29.5	21
PV16	16	31.5	26

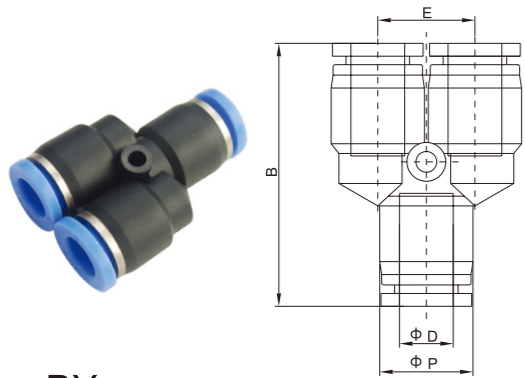
PV



Imperial Size Union Elbow

Model	ΦD	B	ΦP
PV1/8	1/8	17.5	11
PV5/32	5/32	18	11
PV1/4	1/4	19	13.4
PV5/16	5/16	23	15
PV3/8	3/8	27.5	18.8
PV1/2	1/2	29.5	21

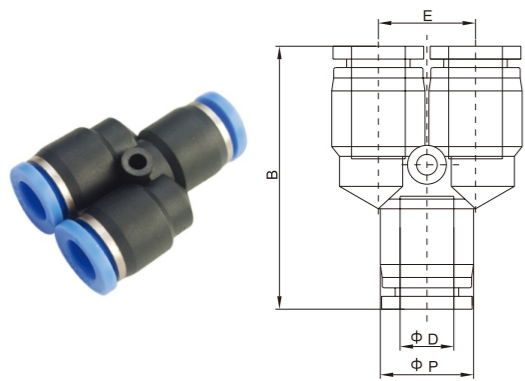
PY



Union Y

Model	ΦD	B	ΦP	E
PY04	4	35.5	11	11
PY06	6	37	13.4	13.4
PY08	8	40.5	15	15
PY10	10	49.5	18.8	18.8
PY12	12	52.5	21	21

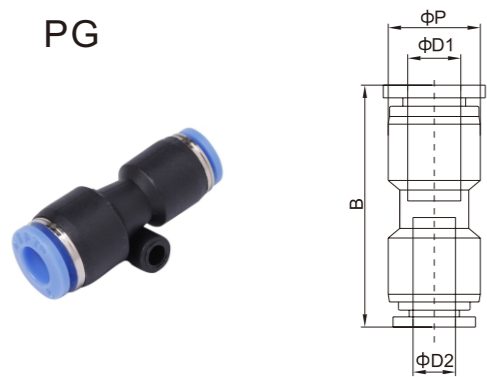
PY



Imperial Size Union Y

Model	ΦD	B	ΦP	E
PY5/32	5/32	35.5	11	11
PY1/4	1/4	37	13.4	13.4
PY5/16	5/16	40.5	15	15
PY3/8	3/8	49.5	18.8	18.8
PY1/2	1/2	52.5	21	21

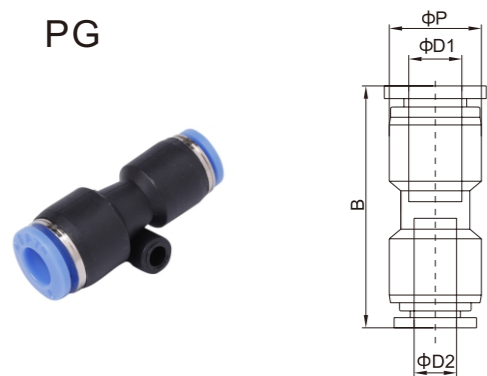
PG



Unequal Union Straight

Model	ΦD1	ΦD2	B	ΦP
PG06-04	6	4	35	13.4
PG08-06	8	6	38.5	15
PG10-08	10	8	46.5	18.8
PG12-10	12	10	48	21

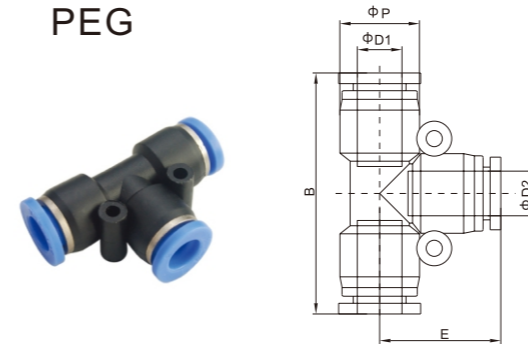
PG



Imperial Size Unequal Union Straight

Model	ΦD1	ΦD2	B	ΦP
PG1/4-5/32	1/4	5/32	35	13.4
PG5/16-1/4	5/16	1/4	38.5	15
PG3/8-5/16	3/8	5/16	46.5	18.8
PG1/2-3/8	1/2	3/8	48	21

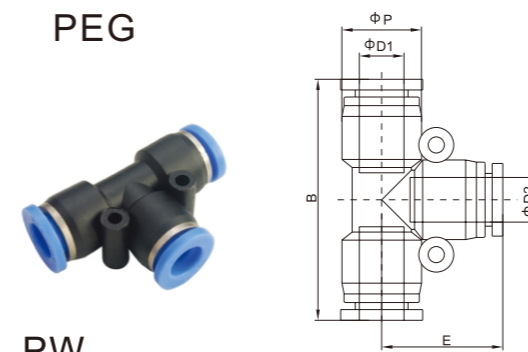
PEG



Diff. Diam Union Tee

Model	ΦD1	ΦD2	B	ΦP	E
PEG06-04	6	4	38.5	13.4	19
PEG08-06	8	6	45.5	15	23
PEG10-08	10	8	56	18.8	28
PEG12-10	12	10	58.5	21	39.5

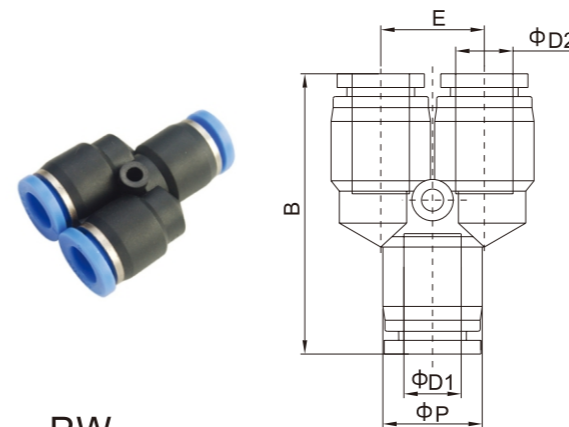
PEG



Imperial Size Diff. Diam Union Tee

Model	ΦD1	ΦD2	B	ΦP	E
PEG1/4-5/32	1/4	5/32	38.5	13.4	19
PEG5/16-1/4	5/16	1/4	45.5	15	23
PEG3/8-5/16	3/8	5/16	56	18.8	28
PEG1/2-3/8	1/2	3/8	58.5	21	39.5

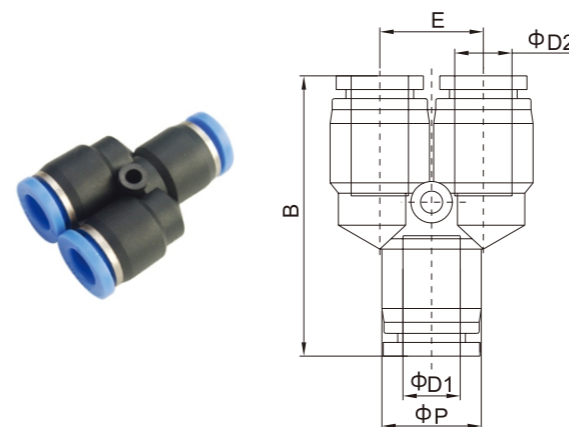
PW



Diff. Diam Union Y

Model	ΦD1	ΦD2	B	ΦP	E
PW06-04	6	4	37	13.4	13.4
PW08-06	8	6	40.5	15	15
PW10-08	10	8	49.5	18.8	18.8
PW12-10	12	10	52.5	21	21

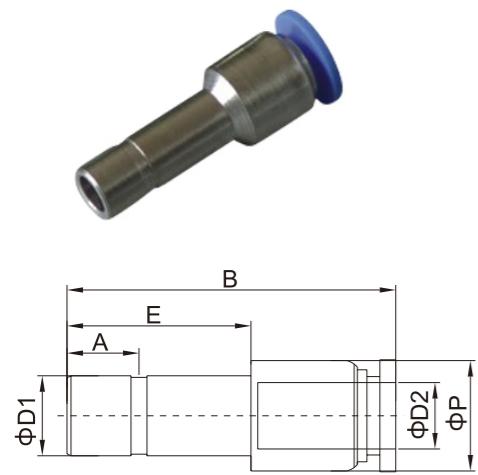
PW



Imperial Size Diff. Diam Union Y

Model	ΦD1	ΦD2	B	ΦP	E
PW1/4-5/32	1/4	5/32	38.5	13.4	19
PW5/16-1/4	5/16	1/4	45.5	15	23
PW3/8-5/16	3/8	5/16	56	18.8	28
PW1/2-3/8	1/2	3/8	58.5	21	39.5

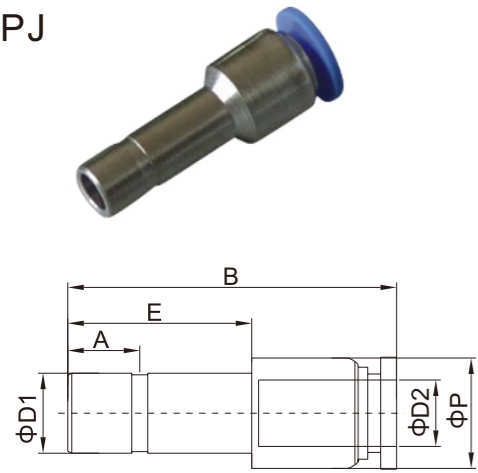
PJ



Unequal Plug-in Straight

Model	ϕD2	E	ϕD1	B	A	ϕP
PJ06-04	4	17	6	41	6	10
PJ08-04	4	20	8	44	6	10
PJ08-06	6	20	8	45	6	12
PJ10-06	6	23	10	47	8	12
PJ10-08	8	23	10	47	8	14
PJ12-08	8	23	12	54	8	14
PJ12-10	10	23	12	54	8	17

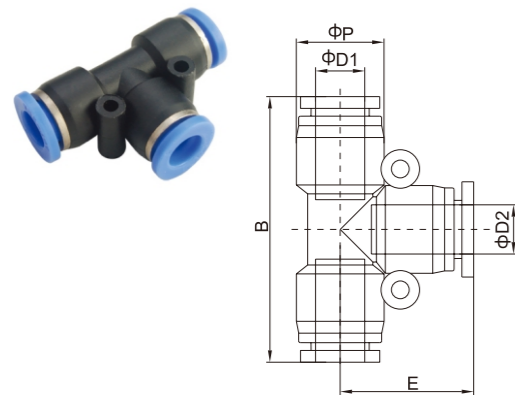
PJ



Imperial Size Unequal Plug-in Straight

Model	ϕD2	E	ϕD1	B	A	ϕP
PJ1/4-5/32	5/32	17	1/4	41	6	10
PJ5/16-5/32	5/32	20	5/16	44	6	10
PJ5/16-1/4	1/4	20	5/16	45	6	12
PJ3/8-1/4	1/4	23	3/8	47	8	12
PJ3/8-5/16	5/16	23	3/8	47	8	14
PJ1/2-5/16	5/16	23	1/2	54	8	14
PJ1/2-3/8	3/8	23	1/2	54	8	17

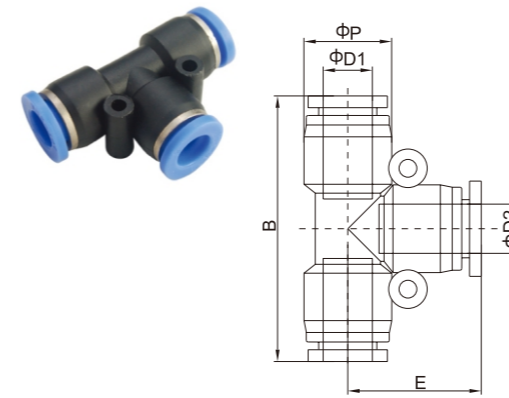
PGE



Diff. Diam Union Tee

Model	ϕD1	ϕD2	B	ϕP	E
PGE06-04	4	6	38	13.4	19
PGE08-06	6	8	45	15	23
PGE10-08	8	10	55.5	18.8	28
PGE12-10	10	12	58	21	39.5

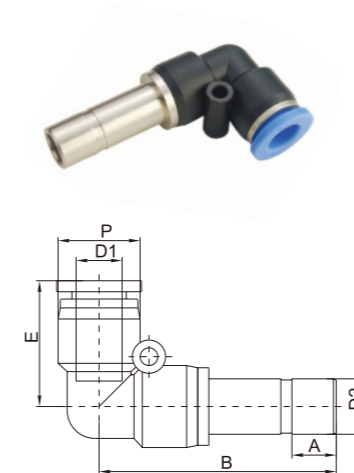
PGE



Imperial Size Diff. Diam Union Tee

Model	ϕD1	ϕD2	B	ϕP	E
PGE1/4-5/32	5/32	1/4	38	13.4	19
PGE5/16-1/4	1/4	5/16	45	15	23
PGE3/8-5/16	5/16	3/8	55.5	18.8	28
PGE1/2-3/8	3/8	1/2	58	21	39.5

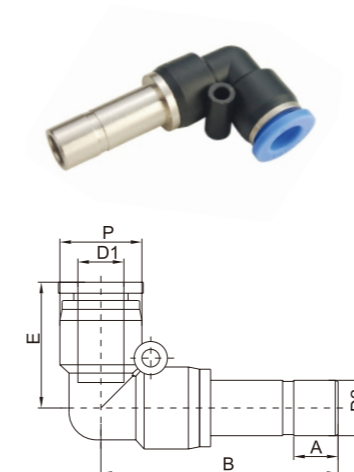
PLJ



Unequal Plug-in Elbow

Model	ϕD1	E	B	ϕP	A	ϕD2
PLJ06-04	4	18	32.3	11	6	6
PLJ08-04	4	18	35.3	11	6	8
PLJ08-06	6	19	37	13.4	6	8
PLJ10-06	6	19	40	13.4	6	10
PLJ10-08	8	23	43	15	8	10
PLJ12-08	8	23	43	15	8	12
PLJ12-10	10	27.5	47	18.8	8	12

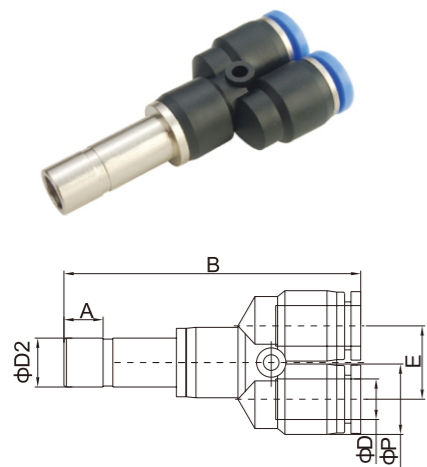
PLJ



Imperial Size Unequal Plug-in Elbow

Model	ϕD1	E	B	ϕP	A	ϕD2
PLJ1/4-5/32	5/32	18	32.3	11	6	1/4
PLJ5/16-5/32	5/32	18	35.3	11	6	5/16
PLJ5/16-1/4	1/4	19	37	13.4	6	5/16
PLJ3/8-1/4	1/4	19	40	13.4	6	3/8
PLJ3/8-5/16	5/16	23	43	15	8	3/8
PLJ1/2-5/16	5/16	23	43	15	8	1/2
PLJ1/2-3/8	3/8	27.5	47	18.8	8	1/2

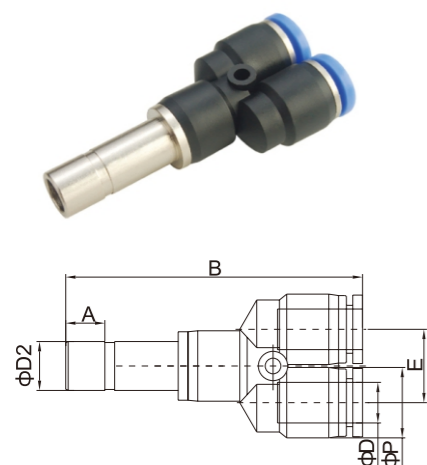
PWJ



Unequal Plug-in Y

Model	ΦD1	E	B	ΦP	A	ΦD2
PWJ06-04	4	11	50	11	6	6
PWJ08-04	4	11	53	11	6	8
PWJ08-06	6	13.4	54.5	13.4	6	8
PWJ10-06	6	13.4	57.5	13.4	6	10
PWJ10-08	8	15	61	15	8	10
PWJ12-08	8	15	61	15	8	12
PWJ12-10	10	18.8	69.5	18.8	8	12

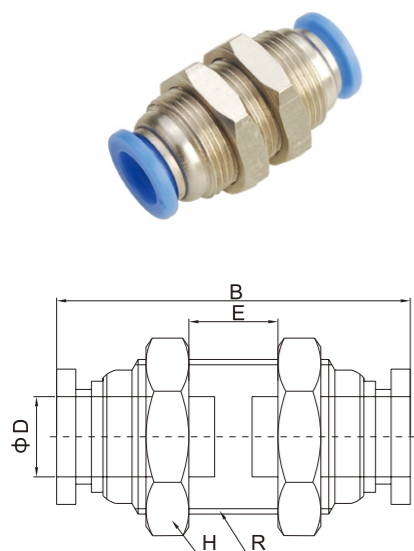
PWJ



Imperial Size Unequal Plug-in Y

Model	ΦD1	E	B	ΦP	A	ΦD2
PWJ1/4-5/32	5/32	11	50	11	6	1/4
PWJ5/16-5/32	5/32	11	53	11	6	5/16
PWJ5/16-1/4	1/4	13.4	54.5	13.4	6	5/16
PWJ3/8-1/4	1/4	13.4	57.5	13.4	6	3/8
PWJ3/8-5/16	5/16	15	61	15	8	3/8
PWJ1/2-5/16	5/16	15	61	15	8	1/2
PWJ1/2-3/8	3/8	18.8	69.5	18.8	8	1/2

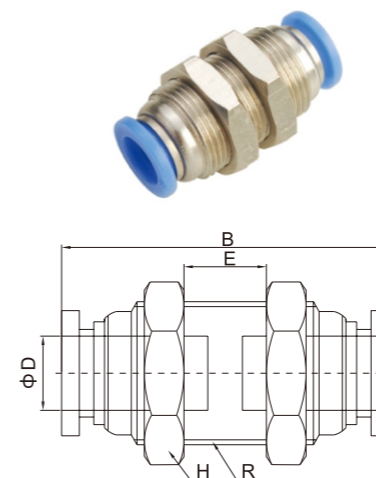
PM



Diff. Diam Union Tee

Model	ΦD	B	E	R	H
PM04	4	30	8	M12X1	14
PM06	6	33	10	M14X1	17
PM08	8	36.8	12	M16X1	19
PM10	10	44.5	15	M20X1	24
PM12	12	46	16	M22X1	27

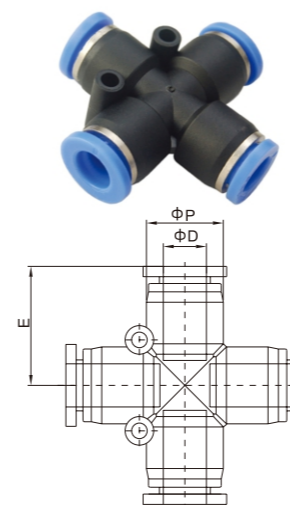
PM



Imperial Size Diff. Diam Union Tee

Model	ΦD1	B	E	R	H
PM5/32	5/32	30	8	M12X1	14
PM1/4	1/4	33	10	M14X1	17
PM5/16	5/16	36.8	12	M16X1	19
PM3/8	3/8	44.5	15	M20X1	24
PM1/2	1/2	46	16	M22X1	27

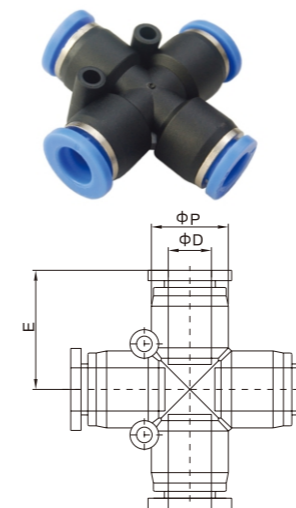
PZA



Union Cross

Model	ΦD	E	ΦP
PZA04	4	17.5	11
PZA06	6	19.2	13
PZA08	8	22.5	14.5
PZA10	10	28	20
PZA12	12	30	20

PZA

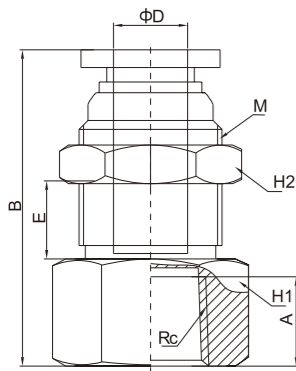


Imperial Size Union Cross

Model	ΦD1	E	ΦP
PZA5/32	5/32	17.5	11
PZA1/4	1/4	19.2	13
PZA5/16	5/16	22.5	14.5
PZA3/8	3/8	28	20
PZA1/2	1/2	30	20

PMF Bulkhead Female Straight Push In Tube Fitting

PMF



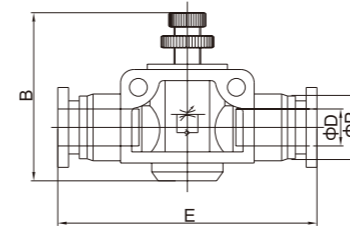
Bulkhead Female Straight

Model	ΦD	Rc	A	B	M	E	H1	H2
PMF04-01	4	1/8"PT	8	23	M12	5	14	14
PMF04-02		1/4"PT	11	26	M12	5	17	14
PMF06-01	6	1/8"PT	8	24.5	M12	7	17	17
PMF06-02		1/4"PT	11	27.5	M14	7	17	17
PMF06-03		3/8"PT	12	28.5	M14	7	19	17
PMF08-01	8	1/8"PT	8	26.5	M16	8	19	19
PMF08-02		1/4"PT	11	29.5	M16	8	19	19
PMF08-03		3/8"PT	12	30.5	M16	8	19	19
PMF08-04		1/2"PT	14	32.5	M16	8	24	19
PMF10-01	10	1/8"PT	8	30.5	M20	8.5	22	24
PMF10-02		1/4"PT	11	33.5	M20	8.5	24	24
PMF10-03		3/8"PT	12	34.5	M20	8.5	24	24
PMF10-04		1/2"PT	14	36.5	M20	8.5	24	24
PMF12-01	12	1/8"PT	8	34	M22	9	24	26
PMF12-02		1/4"PT	11	34	M22	9	24	26
PMF12-03		3/8"PT	12	35	M22	9	24	26
PMF12-04		1/2"PT	14	37	M22	9	24	26

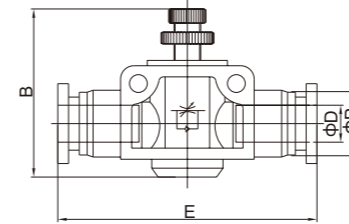
Bulkhead Female Straight

Model	ϕD	Rc	A	B	M	E	H1	H2
PMF5/32-N01	5/32	1/8"NPT	8	23	M12	5	14	14
PMF5/32-N02		1/4"NPT	11	26	M12	5	17	14
PMF1/4-N01	1/4	1/8"NPT	8	24.5	M12	7	17	17
PMF1/4-N02		1/4"NPT	11	27.5	M14	7	17	17
PMF1/4-N03		3/8"NPT	12	28.5	M14	7	19	17
PMF5/16-N01	5/16	1/8"NPT	8	26.5	M16	8	19	19
PMF5/16-N02		1/4"NPT	11	29.5	M16	8	19	19
PMF5/16-N03		3/8"NPT	12	30.5	M16	8	19	19
PMF5/16-N04		1/2"NPT	14	32.5	M16	8	24	19
PMF3/8-N01	3/8	1/8"NPT	8	30.5	M20	8.5	22	24
PMF3/8-N02		1/4"NPT	11	33.5	M20	8.5	24	24
PMF3/8-N03		3/8"NPT	12	34.5	M20	8.5	24	24
PMF3/8-N04		1/2"NPT	14	36.5	M20	8.5	24	24
PMF1/2-N01	1/2	1/8"NPT	8	34	M22	9	24	26
PMF1/2-N02		1/4"NPT	11	34	M22	9	24	26
PMF1/2-N03		3/8"NPT	12	35	M22	9	24	26
PMF1/2-N04		1/2"NPT	14	37	M22	9	24	26

SU



SU



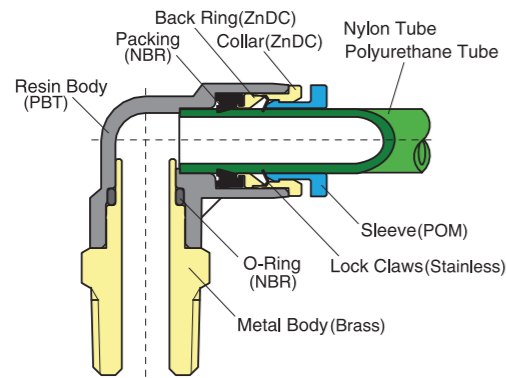
Model	ΦD	E	B	ΦP
SU04	4	39.5	25.7	11
SU06	6	47.6	41.8	13.4
SU08	8	52.5	45.6	14.8
SU10	10	63.2	52.2	18.8
SU12	12	74.1	55	21

Model	ΦD	E	B	ΦP
SU5/32	5/32	39.5	25.7	11
SU1/4	1/4	47.6	41.8	13.4
SU5/16	5/16	52.5	45.6	14.8
SU3/8	3/8	63.2	52.2	18.8
SU1/2	1/2	74.1	55	21

Specification

Fluid	Air, vacuum
Pressure Range	0~1.0MPa
Negative Pressure	-100KPa(10Torr)
Max Pressure	1.5MPa
Temperature Range	0~60°C
Applicable Tube	NYLON(PA)Polyurethane(PU)

Structure Chart



Product Code System

PC 08 - 01 B

① ② ③ ④

① Type

② Tube Outer Diameter

	Metric Size					
Code	04	06	08	10	12	16
Tube Outer Diameter	Φ4	Φ6	Φ8	Φ10	Φ12	Φ16

	Inch Size					
Code	5/32	3/16	1/4	5/16	3/8	1/2
Tube Outer Diameter	Φ5/32	Φ3/16	Φ1/4	Φ5/16	Φ3/8	Φ1/2

Other sizes are available. Support OEM and customization.

③ Thread

	55° Taper Pipe Thread				
Code	01	02	03	04	06
Thread	1/8"PT	1/4"PT	3/8"PT	1/2"PT	3/4"PT

	55° G-Thread			
Code	G01	G02	G03	G04
Thread	G1/8	G1/4	G3/8	G1/2

	UNF	American Standard taper pipe thread(NPT)				
Code	U10	N01	N02	N02	N04	N06
Thread	10-32UNF	1/8"NPT	1/4"NPT	3/8"NPT	1/2"NPT	3/4"NPT

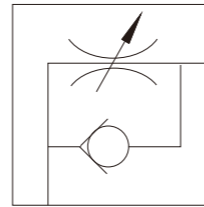
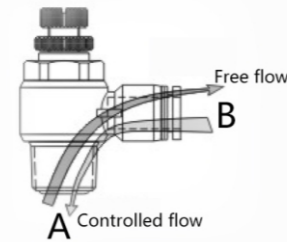
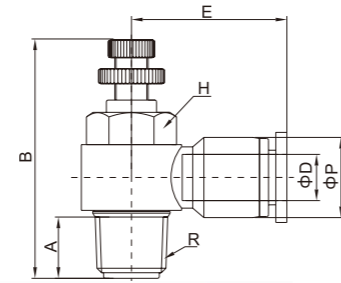
④ Blank:control out type B:control in type

Characteristics

1. Quick installation, simple and flexible, space-saving
2. The tube fitting comes in a wide variety of models to meet all your needs in pneumatic piping.
3. Even after installation, the direction of tubing can be changed freely.
4. The release ring adopts the round design to make it more convenient and labor-saving for disconnection.
5. All fittings are equipped with the internal hexagonal holes. It is easy for them to be mounted in the narrow places.

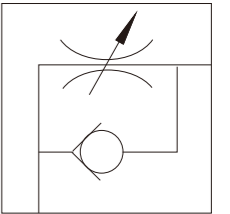
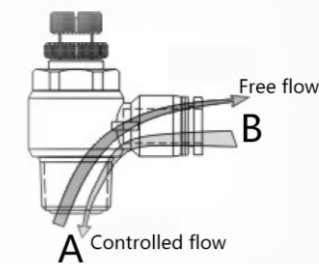
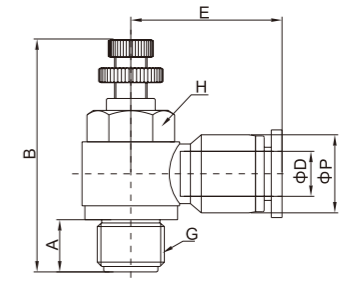
SC Control-in Throttle Valve

SC



Limited-in:
Controlled air flow from B to A
Free air flow from A to B

SC-C



Limited-in:
Controlled air flow from B to A
Free air flow from A to B

PT (BSPT) Control-in

Model	ΦD	E	B	ΦP	A	G	H
Limited-in							
SC04-M5B	4	20	28	11	3.8	M5	8
SC04-01B		22.3	37	11	7.5	1/8"PT	12
SC04-02B		24.1	44.5	11	11	1/4"PT	14
SC06-M5B	6	21.9	28	13.4	3.5	M5	8
SC06-01B		23.1	37	13.4	7.5	1/8"PT	12
SC06-02B		25	44.5	13.4	11	1/4"PT	14
SC06-03B		26.9	48	13.4	12	3/8"PT	19
SC06-04B		29.8	52.5	13	13	1/2"PT	24
SC08-01B	8	25.6	37	15	7.5	1/8"PT	12
SC08-02B		28.5	44.5	15	11	1/4"PT	14
SC08-03B		29.6	48	15	12	3/8"PT	19
SC08-04B		32.5	52.5	15	13	1/2"PT	24
SC10-01B	10	30.1	37	18.8	7.5	1/8"PT	12
SC10-02B		32.3	44.5	18.8	11	1/4"PT	14
SC10-03B		32.9	48	18.8	12	3/8"PT	19
SC10-04B		35.8	52.5	18.8	13	1/2"PT	24
SC12-02B	12	33.5	44.5	21	11	1/4"PT	14
SC12-03B		35.6	48	21	12	3/8"PT	19
SC12-04B		36.5	52.5	21	13	1/2"PT	24

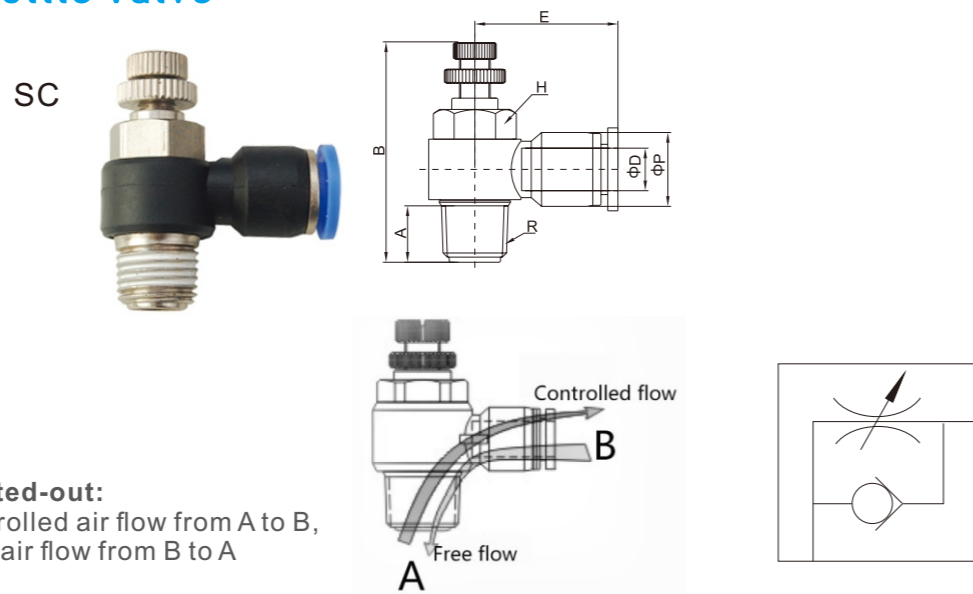
(NPT) Control-in

Model	ΦD	E	B	ΦP	A	G	H
Limited-in							
SC1/8-N01B	1/8	20	28	11	3.8	1/8"NPT	8
SC1/8-N02B		22.3	37	11	7.5	1/4"NPT	12
SC5/32-N01B	5/32	24.1	44.5	11	11	1/8"NPT	14
SC5/32-N02B		21.9	28	13.4	3.5	1/4"NPT	8
SC1/4-N01B	1/4	23.1	37	13.4	7.5	1/8"NPT	12
SC1/4-N02B		25	44.5	13.4	11	1/4"NPT	14
SC1/4-N03B		26.9	48	13.4	12	3/8"NPT	19
SC1/4-N04B		29.8	52.5	13	13	1/2"NPT	24
SC5/16-N01B	5/16	25.6	37	15	7.5	1/8"NPT	12
SC5/16-N02B		28.5	44.5	15	11	1/4"NPT	14
SC5/16-N03B		29.6	48	15	12	3/8"NPT	19
SC5/16-N04B		32.5	52.5	15	13	1/2"NPT	24
SC3/8-N01B	3/8	30.1	37	18.8	7.5	1/8"NPT	12
SC3/8-N02B		32.3	44.5	18.8	11	1/4"NPT	14
SC3/8-N03B		32.9	48	18.8	12	3/8"NPT	19
SC3/8-N04B		35.8	52.5	18.8	13	1/2"NPT	24
SC1/2-N02B	1/2	33.5	44.5	21	11	1/4"NPT	14
SC1/2-N03B		35.6	48	21	12	3/8"NPT	19
SC1/2-N04B		36.5	52.5	21	13	1/2"NPT	24

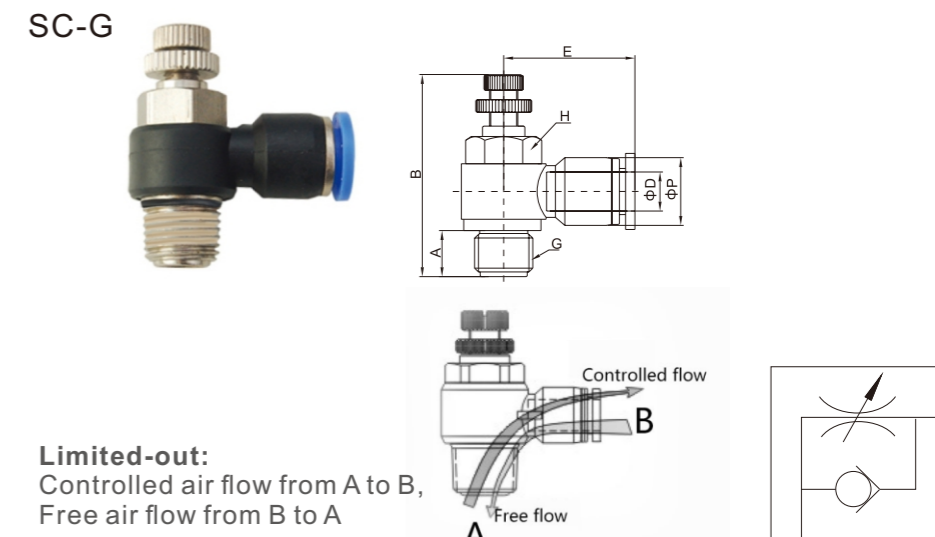
(G) Control-in

Model	ΦD	E	B	ΦP	A	G	H
Limited-in							
SC04-G01B	4	22.3	37	11	7.5	G1/8	12
SC04-G02B		24.1	44.5	11	11	G1/4	14
SC06-G01B	6	23.1	37	13.4	7.5	G1/8	12
SC06-G02B		25	44.5	13.4	11	G1/4	14
SC06-G03B		26.9	48	13.4	12	G3/8	19
SC06-G04B		29.8	52.5	13	13	G1/2	24
SC08-G01B	8	25.6	37	15	7.5	G1/8	12
SC08-G02B		28.5	44.5	15	11	G1/4	14
SC08-G03B		29.6	48	15	12	G3/8	19
SC08-G04B		32.5	52.5	15	13	G1/2	24
SC10-G01B	10	30.1	37	18.8	7.5	G1/8	12
SC10-G02B		32.3	44.5	18.8	11	G1/4	14
SC10-G03B		32.9	48	18.8	12	G3/8	19
SC10-G04B		35.8	52.5	18.8	13	G1/2	24
SC12-G02B	12	33.5	44.5	21	11	G1/4	14
SC12-G03B		35.6	48	21	12	G3/8	19
SC12-G04B		36.5	52.5	21	13	G1/2	24

SC Control-out Throttle Valve



Limited-out:
Controlled air flow from A to B,
Free air flow from B to A



Limited-out:
Controlled air flow from A to B,
Free air flow from B to A

PT (BSPT) Control-out

Model	ΦD	E	B	ΦP	A	G	H
Limited-out							
SC04-M5	4	20	28	11	3.8	M5	8
SC04-01		22.3	37	11	7.5	1/8"PT	12
SC04-02		24.1	44.5	11	11	1/4"PT	14
SC06-M5	6	21.9	28	13.4	3.5	M5	8
SC06-01		23.1	37	13.4	7.5	1/8"PT	12
SC06-02		25	44.5	13.4	11	1/4"PT	14
SC06-03		26.9	48	13.4	12	3/8"PT	19
SC06-04		29.8	52.5	13	13	1/2"PT	24
SC08-01	8	25.6	37	15	7.5	1/8"PT	12
SC08-02		28.5	44.5	15	11	1/4"PT	14
SC08-03		29.6	48	15	12	3/8"PT	19
SC08-04		32.5	52.5	15	13	1/2"PT	24
SC10-01	10	30.1	37	18.8	7.5	1/8"PT	12
SC10-02		32.3	44.5	18.8	11	1/4"PT	14
SC10-03		32.9	48	18.8	12	3/8"PT	19
SC10-04		35.8	52.5	18.8	13	1/2"PT	24
SC12-02	12	33.5	44.5	21	11	1/4"PT	14
SC12-03		35.6	48	21	12	3/8"PT	19
SC12-04		36.5	52.5	21	13	1/2"PT	24

(NPT) Control-out

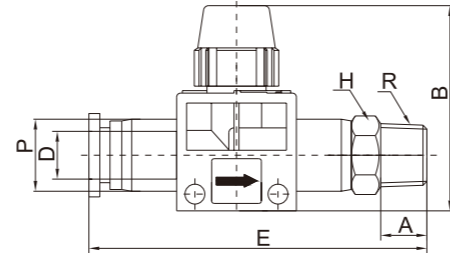
Model	ΦD	E	B	ΦP	A	G	H
Limited-in							
SC1/8-N01	1/8	20	28	11	3.8	1/8"NPT	8
SC1/8-N02		22.3	37	11	7.5	1/4"NPT	12
SC5/32-N01	5/32	24.1	44.5	11	11	1/8"NPT	14
SC5/32-N02		21.9	28	13.4	3.5	1/4"NPT	8
SC1/4-N01	1/4	23.1	37	13.4	7.5	1/8"NPT	12
SC1/4-N02		25	44.5	13.4	11	1/4"NPT	14
SC1/4-N03		26.9	48	13.4	12	3/8"NPT	19
SC1/4-N04		29.8	52.5	13	13	1/2"NPT	24
SC5/16-N01	5/16	25.6	37	15	7.5	1/8"NPT	12
SC5/16-N02		28.5	44.5	15	11	1/4"NPT	14
SC5/16-N03		29.6	48	15	12	3/8"NPT	19
SC5/16-N04		32.5	52.5	15	13	1/2"NPT	24
SC3/8-N01	3/8	30.1	37	18.8	7.5	1/8"NPT	12
SC3/8-N02		32.3	44.5	18.8	11	1/4"NPT	14
SC3/8-N03		32.9	48	18.8	12	3/8"NPT	19
SC3/8-N04		35.8	52.5	18.8	13	1/2"NPT	24
SC1/2-N02	1/2	33.5	44.5	21	11	1/4"NPT	14
SC1/2-N03		35.6	48	21	12	3/8"NPT	19
SC1/2-N04		36.5	52.5	21	13	1/2"NPT	24

(G) Control-out

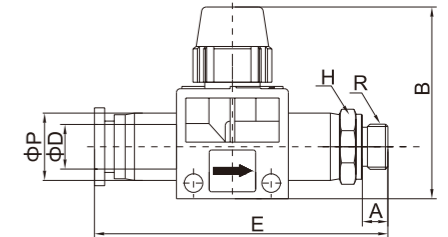
Model	ΦD	E	B	ΦP	A	G	H
Limited-out							
SC04-G01	4	22.3	37	11	7.5	G1/8	12
SC04-G02		24.1	44.5	11	11	G1/4	14
SC06-G01	6	23.1	37	13.4	7.5	G1/8	12
SC06-G02		25	44.5	13.4	11	G1/4	14
SC06-G03		26.9	48	13.4	12	G3/8	19
SC06-G04		29.8	52.5	13	13	G1/2	24
SC08-G01	8	25.6	37	15	7.5	G1/8	12
SC08-G02		28.5	44.5	15	11	G1/4	14
SC08-G03		29.6	48	15	12	G3/8	19
SC08-G04		32.5	52.5	15	13	G1/2	24
SC10-G01	10	30.1	37	18.8	7.5	G1/8	12
SC10-G02		32.3	44.5	18.8	11	G1/4	14
SC10-G03		32.9	48	18.8	12	G3/8	19
SC10-G04		35.8	52.5	18.8	13	G1/2	24
SC12-G02	12	33.5	44.5	21	11	G1/4	14
SC12-G03		35.6	48	21	12	G3/8	19
SC12-G04		36.5	52.5	21	13	G1/2	24

HVFS Hand Valve

HVFS



HVFS-G



PT (BSPT) Hand Valves

Model		ΦD	E	B	ΦP	A	R	H
Two Ways	Three Ways							
HVFS06-01B	HVFS06-01	6	58.2	41.5	14.8	7	1/8"PT	12
HVFS06-02B	HVFS06-02	6	60.8	41.5	14.8	9.5	1/4"PT	14
HVFS06-03B	HVFS06-03	6	62.2	41.5	14.8	10	3/8"PT	17
HVFS08-01B	HVFS08-01	8	59.2	41.5	14.8	7	1/8"PT	14
HVFS08-02B	HVFS08-02	8	61.2	41.5	14.8	9.5	1/4"PT	14
HVFS08-03B	HVFS08-03	8	62.8	41.5	14.8	10	3/8"PT	17
HVFS10-02B	HVFS10-02	10	72.8	46	21	9.5	1/4"PT	17
HVFS10-03B	HVFS10-03	10	73.8	46	21	10	3/8"PT	17
HVFS10-04B	HVFS10-04	10	77.2	46	21	13	1/2"PT	21
HVFS12-02B	HVFS12-02	12	73.6	46	21	9.5	1/4"PT	21
HVFS12-03B	HVFS12-03	12	74.5	46	21	10	3/8"PT	21
HVFS12-04B	HVFS12-04	12	77.5	46	21	13	1/2"PT	21

(NPT) Hand Valves

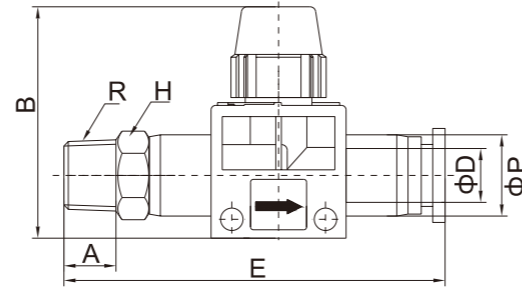
Model		ΦD	E	B	ΦP	A	R	H
Two Ways	Three Ways							
HVFS1/4-N01B	HVFS1/4-N01	6	58.2	41.5	14.8	7	1/8"NPT	12
HVFS1/4-N02B	HVFS1/4-N02	6	60.8	41.5	14.8	9.5	1/4"NPT	14
HVFS1/4-N03B	HVFS1/4-N03	6	62.2	41.5	14.8	10	3/8"NPT	17
HVFS5/16-N01B	HVFS5/16-N01	8	59.2	41.5	14.8	7	1/8"NPT	14
HVFS5/16-N02B	HVFS5/16-N02	8	61.2	41.5	14.8	9.5	1/4"NPT	14
HVFS5/16-N03B	HVFS5/16-N03	8	62.8	41.5	14.8	10	3/8"NPT	17
HVFS3/8-N02B	HVFS3/8-N02	10	72.8	46	21	9.5	1/4"NPT	17
HVFS3/8-N03B	HVFS3/8-N03	10	73.8	46	21	10	3/8"NPT	17
HVFS3/8-N04B	HVFS3/8-N04	10	77.2	46	21	13	1/2"NPT	21
HVFS1/2-N02B	HVFS1/2-N02	12	73.6	46	21	9.5	1/4"NPT	21
HVFS1/2-N03B	HVFS1/2-N03	12	74.5	46	21	10	3/8"NPT	21
HVFS1/2-N04B	HVFS1/2-N04	12	77.5	46	21	13	1/2"NPT	21

(G) Hand Valves

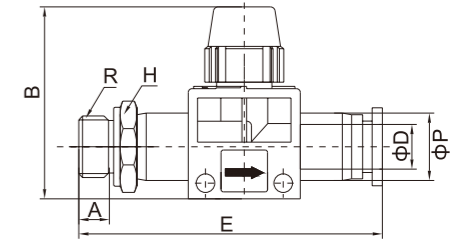
Model		ΦD	E	B	ΦP	A	R	H
Two Ways	Three Ways							
HVFS 06-G01B	HVFS 06-G01	6	56.2	41.5	14.8	5.5	G1/8	14
HVFS 06-G02B	HVFS 06-G02	6	58.8	41.5	14.8	7.5	G1/4	17
HVFS 06-G03B	HVFS 06-G03	6	61	41.5	14.8	8.5	G3/8	20
HVFS 08-G01B	HVFS 08-G01	8	57.2	41.5	14.8	5.5	G1/8	14
HVFS 08-G02B	HVFS 08-G02	8	59.2	41.5	14.8	7.5	G1/4	17
HVFS 08-G03B	HVFS 08-G03	8	61.5	41.5	14.8	8.5	G3/8	20
HVFS 10-G02B	HVFS 10-G02	10	71.3	46	21	7.5	G1/4	17
HVFS 10-G03B	HVFS 10-G03	10	72.2	46	21	8.5	G3/8	20
HVFS 10-G04B	HVFS 10-G04	10	75.2	46	21	11	G1/2	24
HVFS 12-G02B	HVFS 12-G02	12	71.6	46	21	7.5	G1/4	17
HVFS 12-G03B	HVFS 12-G03	12	72.5	46	21	8.5	G3/8	20
HVFS 12-G04B	HVFS 12-G04	12	75.5	46	21	11	G1/2	24

HVSF Hand Valve

HVSF



HVSF-G



PT (BSPT) Hand Valves

Model		ΦD	E	B	ΦP	A	R	H
Two Ways	Three Ways							
HVSF06-01B	HVSF06-01	6	58.2	41.5	14.8	7	1/8"PT	12
HVSF06-02B	HVSF06-02	6	60.8	41.5	14.8	9.5	1/4"PT	14
HVSF06-03B	HVSF06-03	6	62.2	41.5	14.8	10	3/8"PT	17
HVSF08-01B	HVSF08-01	8	59.2	41.5	14.8	7	1/8"PT	14
HVSF08-02B	HVSF08-02	8	61.2	41.5	14.8	9.5	1/4"PT	14
HVSF08-03B	HVSF08-03	8	62.8	41.5	14.8	10	3/8"PT	17
HVSF10-02B	HVSF10-02	10	72.8	46	21	9.5	1/4"PT	17
HVSF10-03B	HVSF10-03	10	73.8	46	21	10	3/8"PT	17
HVSF10-04B	HVSF10-04	10	77.2	46	21	13	1/2"PT	21
HVSF12-02B	HVSF12-02	12	73.6	46	21	9.5	1/4"PT	21
HVSF12-03B	HVSF12-03	12	74.5	46	21	10	3/8"PT	21
HVSF12-04B	HVSF12-04	12	77.5	46	21	13	1/2"PT	21

(NPT) Hand Valves

Model		ΦD	E	B	ΦP	A	R	H
Two Ways	Three Ways							
HVSF1/4-N01B	HVSF1/4-N01	6	58.2	41.5	14.8	7	1/8"NPT	12
HVSF1/4-N02B	HVSF1/4-N02	6	60.8	41.5	14.8	9.5	1/4"NPT	14
HVSF1/4-N03B	HVSF1/4-N03	6	62.2	41.5	14.8	10	3/8"NPT	17
HVSF5/16-N01B	HVSF5/16-N01	8	59.2	41.5	14.8	7	1/8"NPT	14
HVSF5/16-N02B	HVSF5/16-N02	8	61.2	41.5	14.8	9.5	1/4"NPT	14
HVSF5/16-N03B	HVSF5/16-N03	8	62.8	41.5	14.8	10	3/8"NPT	17
HVSF3/8-N02B	HVSF3/8-N02	10	72.8	46	21	9.5	1/4"NPT	17
HVSF3/8-N03B	HVSF3/8-N03	10	73.8	46	21	10	3/8"NPT	17
HVSF3/8-N04B	HVSF3/8-N04	10	77.2	46	21	13	1/2"NPT	21
HVSF1/2-N02B	HVSF1/2-N02	12	73.6	46	21	9.5	1/4"NPT	21
HVSF1/2-N03B	HVSF1/2-N03	12	74.5	46	21	10	3/8"NPT	21
HVSF1/2-N04B	HVSF1/2-N04	12	77.5	46	21	13	1/2"NPT	21

(G) Hand Valves

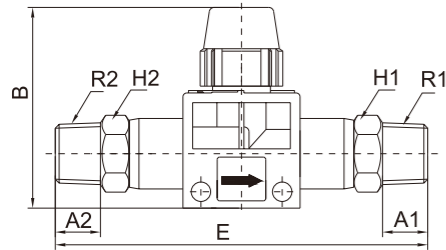
Model		ΦD	E	B	ΦP	A	R	H
Two Ways	Three Ways							
HVSF 06-G01B	HVSF 06-G01	6	56.2	41.5	14.8	5.5	G1/8	14
HVSF 06-G02B	HVSF 06-G02	6	58.8	41.5	14.8	7.5	G1/4	17
HVSF 06-G03B	HVSF 06-G03	6	61	41.5	14.8	8.5	G3/8	20
HVSF 08-G01B	HVSF 08-G01	8	57.2	41.5	14.8	5.5	G1/8	14
HVSF 08-G02B	HVSF 08-G02	8	59.2	41.5	14.8	7.5	G1/4	17
HVSF 08-G03B	HVSF 08-G03	8	61.5	41.5	14.8	8.5	G3/8	20
HVSF 10-G02B	HVSF 10-G02	10	71.3	46	21	7.5	G1/4	17
HVSF 10-G03B	HVSF 10-G03	10	72.2	46	21	8.5	G3/8	20
HVSF 10-G04B	HVSF 10-G04	10	75.2	46	21	11	G1/2	24
HVSF 12-G02B	HVSF 12-G02	12	71.6	46	21	7.5	G1/4	17
HVSF 12-G03B	HVSF 12-G03	12	72.5	46	21	8.5	G3/8	20
HVSF 12-G04B	HVSF 12-G04	12	75.5	46	21	11	G1/2	24

HVSS



PT (BSPT) Hand Valves

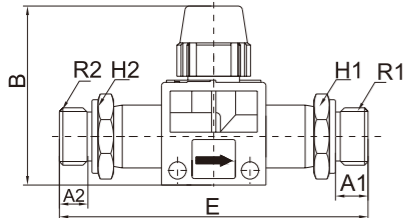
Model		E	B	R1	R2	A1	A2	H1	H2
Two Ways	Three Ways								
HVSS-01-01B	HVSS-01-01	65	41.5	1/8"PT	1/8"PT	7	7	14	14
HVSS-02-01B	HVSS-02-01	68	41.5	1/4"PT	1/8"PT	9.5	7	17	14
HVSS-02-02B	HVSS-02-02	67.1	41.5	1/4"PT	1/4"PT	9.5	9.5	17	17
HVSS-03-02B	HVSS-03-02	82.5	46	3/8"PT	1/4"PT	10	9.5	17	17
HVSS-03-03B	HVSS-03-03	83.5	46	3/8"PT	3/8"PT	10	10	17	17
HVSS-04-03B	HVSS-04-03	90.5	46	1/2"PT	3/8"PT	13	10	21	17
HVSS-04-04B	HVSS-04-04	94.5	46	1/2"PT	1/2"PT	13	13	21	21



(NPT) Hand Valves

Model		E	B	R1	R2	A1	A2	H1	H2
Two Ways	Three Ways								
HVSS-01-N01B	HVSS-01-N01	65	41.5	1/8"NPT	1/8"NPT	7	7	14	14
HVSS-02-N01B	HVSS-02-N01	68	41.5	1/4"NPT	1/8"NPT	9.5	7	17	14
HVSS-02-N02B	HVSS-02-N02	67.1	41.5	1/4"NPT	1/4"NPT	9.5	9.5	17	17
HVSS-03-N02B	HVSS-03-N02	82.5	46	3/8"NPT	1/4"NPT	10	9.5	17	17
HVSS-03-N03B	HVSS-03-N03	83.5	46	3/8"NPT	3/8"NPT	10	10	17	17
HVSS-04-N03B	HVSS-04-N03	90.5	46	1/2"NPT	3/8"NPT	13	10	21	17
HVSS-04-N04B	HVSS-04-N04	94.5	46	1/2"NPT	1/2"NPT	13	13	21	21

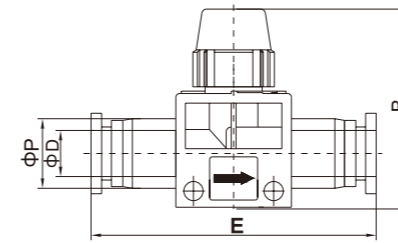
HVSS-G



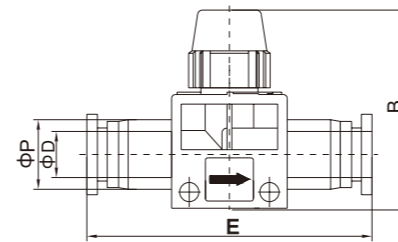
(G) Hand Valves

Model		E	B	R1	R2	A1	A2	H1	H2
Two Ways	Three Ways								
HVSS G01-G01B	HVSS G01-G01	60	41.5	G1/8	G1/8	5.5	5.5	14	14
HVSS G01-G02B	HVSS G01-G02	64	41.5	G1/4	G1/8	7.5	5.5	17	14
HVSS G02-G02B	HVSS G02-G02	63	41.5	G1/4	G1/4	7.5	7.5	17	17
HVSS G02-G03B	HVSS G02-G03	80	46	G3/8	G1/4	8.5	7.5	20	17
HVSS G03-G03B	HVSS G03-G03	81	46	G3/8	G3/8	8.5	8.5	20	20
HVSS G03-G04B	HVSS G03-G04	87	46	G1/2	G3/8	11	8.5	24	20
HVSS G04-G04B	HVSS G04-G04	90	46	G1/2	G1/2	11	11	24	24

HVFF



HVFF



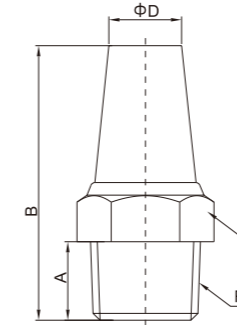
Hand Valves

Model		ΦD	E	B	ΦP
Two Ways	Three Ways				
HVFF06-06B	HVFF06-06	6	51.6	41.5	14.8
HVFF08-06B	HVFF08-06	8	52.1	41.5	14.8
HVFF08-08B	HVFF08-08	8	52.6	41.5	14.8
HVFF10-10B	HVFF10-10	10	64.2	46	21
HVFF12-10B	HVFF12-10	12	64.4	46	21
HVFF12-12B	HVFF12-12	12	64.7	46	21

Hand Valves

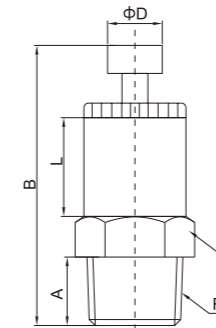
Model		ΦD	E	B	ΦP
Two Ways	Three Ways				
HVFF1/4-1/4B	HVFF1/4-1/4	1/4	51.6	41.5	14.8
HVFF5/16-1/4B	HVFF5/16-1/4	5/16	52.1	41.5	14.8
HVFF5/16-5/16B	HVFF5/16-5/16	5/16	52.6	41.5	14.8
HVFF3/8-3/8B	HVFF3/8-3/8	3/8	64.2	46	21
HVFF1/2-3/8B	HVFF1/2-3/8	1/2	64.4	46	21
HVFF1/2-1/2B	HVFF1/2-1/2	1/2	64.7	46	21

SSL



Model	ΦD	R	A	B	H
SSL-01	8	1/8"	6.5	24	12
SSL-02	11	1/4"	8.5	33	15
SSL-03	14	3/8"	10	44	19
SSL-04	18	1/2"	10	49	21
SSL-06	21	3/4"	11	57	27

SSLB



Model	ΦD	R	A	B	L	H
SSLB-01	6	1/8"	5.5	38	11	12
SSLB-02	7	1/4"	7.5	40	11	13
SSLB-03	12	3/8"	8	46	14.5	17
SSLB-04	14	1/2"	11	57	18.5	21
SSLB-06	17	3/4"	13	69	24	27

SSLP

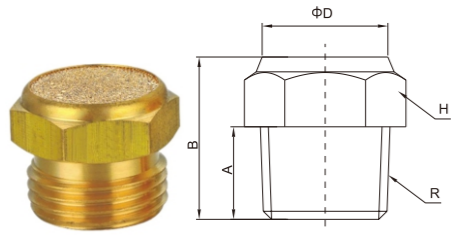


Model	R
SSLP-01	1/8"PT,1/8"NPT,G1/8
SSLP-02	1/4"PT,1/4"NPT,G1/4
SSLP-03	3/8"PT,3/8"NPT,G3/8
SSLP-04	1/2"PT,1/2"NPT,G1/2
SSLP-06	3/4"PT,3/4"NPT,G3/4



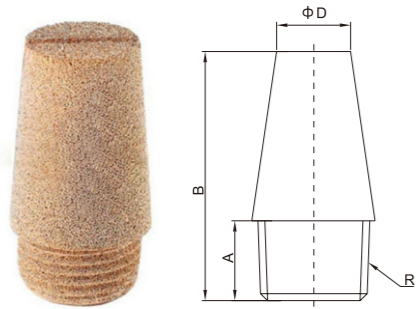
Pneumatic Muffler

SSLF



Model	ΦD	R	A	B	H
SSLF-01	10	1/8"	6.5	11	12
SSLF-02	13	1/4"	8.5	14	15
SSLF-03	16	3/8"	10	15	19
SSLF-04	17	1/2"	11	16	21
SSLF-06	22	3/4"	11.5	19	27

SSLD



Model	ΦD	R	A	B
SSLD-01	8	1/8"	4.5	19.5
SSLD-02	11	1/4"	6	26
SSLD-03	14	3/8"	7	35.5
SSLD-04	18	1/2"	8	42
SSLD-06	22	3/4"	9	46

SSLA



Model	R
SSLA-01	1/8"PT,1/8"NPT,G1/8
SSLA-02	1/4"PT,1/4"NPT,G1/4
SSLA-03	3/8"PT,3/8"NPT,G3/8
SSLA-04	1/2"PT,1/2"NPT,G1/2
SSLA-06	3/4"PT,3/4"NPT,G3/4