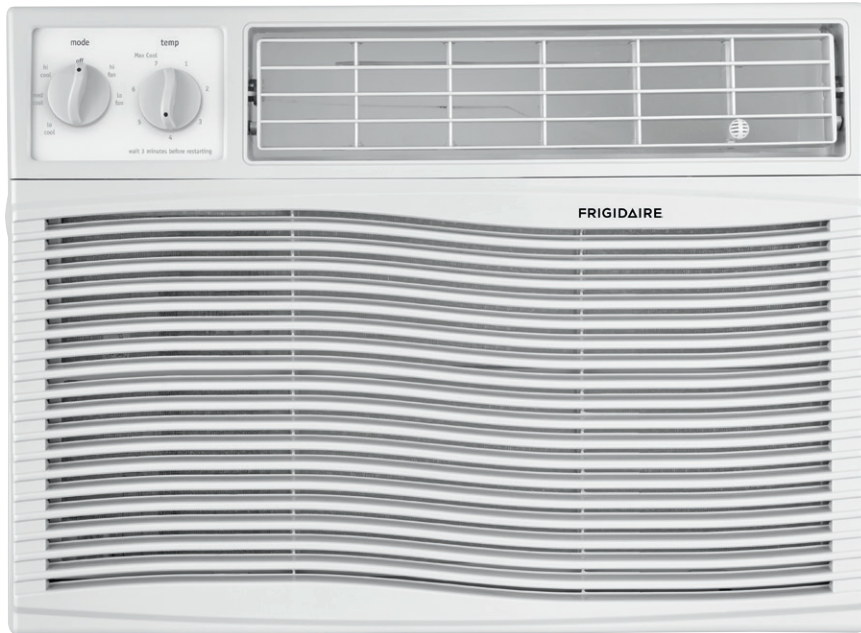


FFRA1011U1

HOME COMFORT

COMPACT AIR CONDITIONER



PRODUCT DIMENSIONS

Height	14-9/16"
Width	19-1/32"
Depth	21-1/4"

MORE EASY-TO-USE FEATURES

SpaceWise® Adjustable Side Panels
The Adjustable Side Panels will extend to best fit your window.

Power Cord

Comes with an extra long three-prong cord – makes extension cords unnecessary.

Effortless™ Restart

Automatically resumes operating at its previous settings when power is restored to your unit.

PERFORMANCE	BTUS
Cool	10,150

SIGNATURE FEATURES

Energy Saver Mode

Reduce utility bills by allowing the unit to turn on and off at different intervals to ensure the room temperature stays at the set temperature.

Multi-Speed Fan

Features three different fan speeds, for more cooling flexibility.

Effortless™ Temperature Control

Our air conditioners maintain the preset room temperature, so you will remain comfortable at all times.

Effortless™ Clean Filter

Our antibacterial filter reduces bacteria, room odors and other airborne particles for a healthier, more comfortable environment.

PERFORMANCE

BTU (Cool)	10,150
Dehumidification (Pints/Hour)	2.5
Cool Area (Up To Sq.Ft.)	450
Combined Energy Efficiency Ratio	10.9
Energy Efficiency Ratio	11.0

ELECTRICAL

Volts	115
Amps (Cool)	8.3
Watts (Cool)	920
Length of Power Cord (Min./Max.)	6' / 6.5'
Plug Type (NEMA)	LCDI (5-15P)

FEATURES

Electronic Controls	Ready-Select® Controls
Fan Speeds (Cool/Fan)	3/2
Low Voltage Start-Up	Yes
Auto Cool Function	
Energy Saver Mode	
Sleep Mode	
Filter Check	
24-Hour On/Off Timer	
Clean Air Ionizer	
Remote Control	
Air CFM (High/Med/Low)	290/265/235
Air Direction Control	4-Way
Fresh Air/Exhaust Vent/Closed	No/No/Yes
Filter Type	Antibacterial Mesh
Filter Access	Tilt-Out
Slide-Out Chassis	
Window Mounting Kit (Included)	Pleated Quick Mount
Warranty ¹	Yes

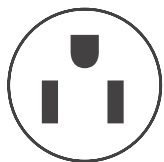
CERTIFICATIONS

Performance	AHAM
-------------	------

SPECIFICATIONS

Refrigerant	R410a
Shipping Weight (Approx.)	67 Lbs.

¹Warranty 5 year sealed system/1 year full parts and labor.



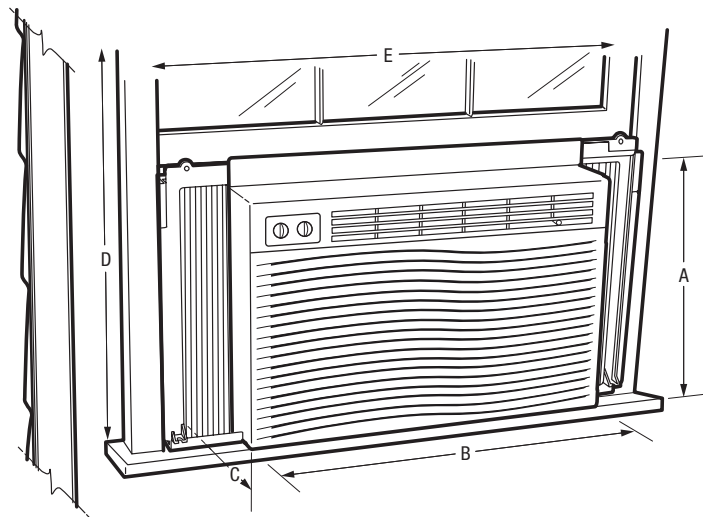
Plug Type (NEMA)
5-15P

PRODUCT DIMENSIONS

A - Height	14-9/16"
B - Width	19-1/32"
C - Depth	21-1/4"

WINDOW DIMENSIONS

D - Height (Min.)	15-1/2"
E - Width (Min./Max.)	22" / 36"



Note: For planning purposes only. Always consult local and national electric, gas and plumbing codes. Refer to Product Installation Guide for detailed installation instructions on the web at frigidaire.com.

Specifications subject to change. Accessories information available on the web at frigidaire.com