

**KELSO 72" TV CONSOLE
WITH PRE-INSTALLED FIREPLACE
SKU: VHCWWN0172**

INSTRUCTION MANUAL



LivingEssentials

For Priority Service:

For expedited service, please contact Living Essentials regarding any defective products or parts. Our dedicated Customer Service team is available to assist you in obtaining any necessary replacement parts.

Please visit our website at livingess.com to complete the **Parts & Service Form**, or contact us by phone or email at:

1 (888) 818-8789

service@livingess.com

LIVING ESSENTIALS

1550 Valley Vista Drive, Suite 210
Diamond Bar, CA 91765

ATTN: Customer Service Department

Limited Warranty

Living Essentials products are warrantied to be free from defects in materials and workmanship for one year from the date of original purchase.

If you believe your product is defective, damaged, or missing any parts, please contact our Customer Service Department by phone or email and they will assist in providing the replacement parts needed.

Prior to contacting us, please make sure you have the following:

- Order number or Purchase Order number
- Manufacturer model number
- Description of the defect, damaged, and/or missing parts

For parts requests, please include any images of the defective/damaged part(s). Following the replacement request procedures will help our customer service representatives process your request quicker. If the part request is due to a missing part in your order, please refer to the instruction manual for parts identification, or let our team know and they can assist you with finding the correct part name or number.

Please refrain from returning the product to us unless specifically instructed to do so. If a return is necessary, it must be processed through the original store of purchase, and proof of purchase must be provided. The return or exchange policy may vary depending on the specific store from which the order was placed. Please contact the store of purchase directly for assistance.

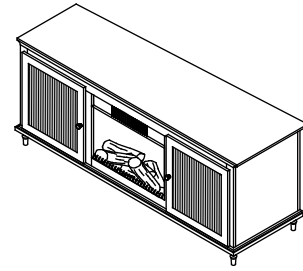
Note: *This warranty does not cover typical wear-and-tear. Replacement parts will be shipped using standard ground service.*

Living Essentials *is not liable for any consequential damages resulting from the purchase or use of our products, nor for any personal injury or property damage arising from product use. Under this warranty, our liability is limited to the replacement of defective parts as outlined above.*

Copyright by: LIVING ESSENTIALS and its affiliates.



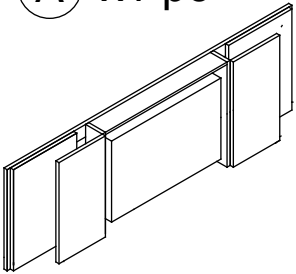
**KELSO 72" TV CONSOLE
WITH PRE-INSTALLED FIREPLACE
SKU: VHCWWN0172**



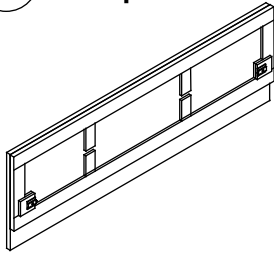
Instructions

CAUTION: HEAVY LIFTING. 2 PEOPLE RECOMMENDED FOR ASSEMBLY.

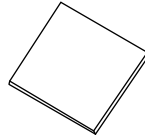
A x1 pc



B x1 pc



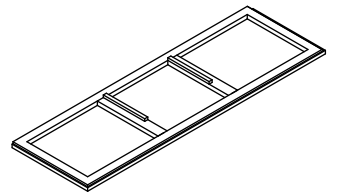
C x4 pcs



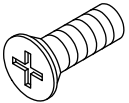
D x6 pcs



E x1 pc



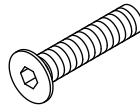
1 x2 pcs



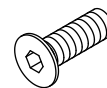
2 x2 pcs



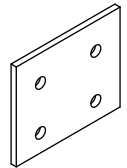
3 x4 pcs



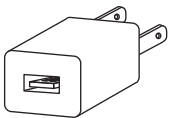
4 x16 pcs



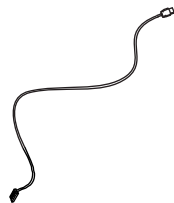
5 x4 pcs



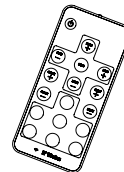
**Power
Brick x1pc**



**LED Light
Strip x1pc**



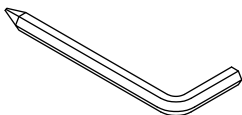
**LED
Remote x1pc**



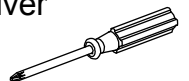
**Firebox
Remote x1pc**



Hex Key x1pc



***NOTE: Phillips screwdriver
required (not included).**



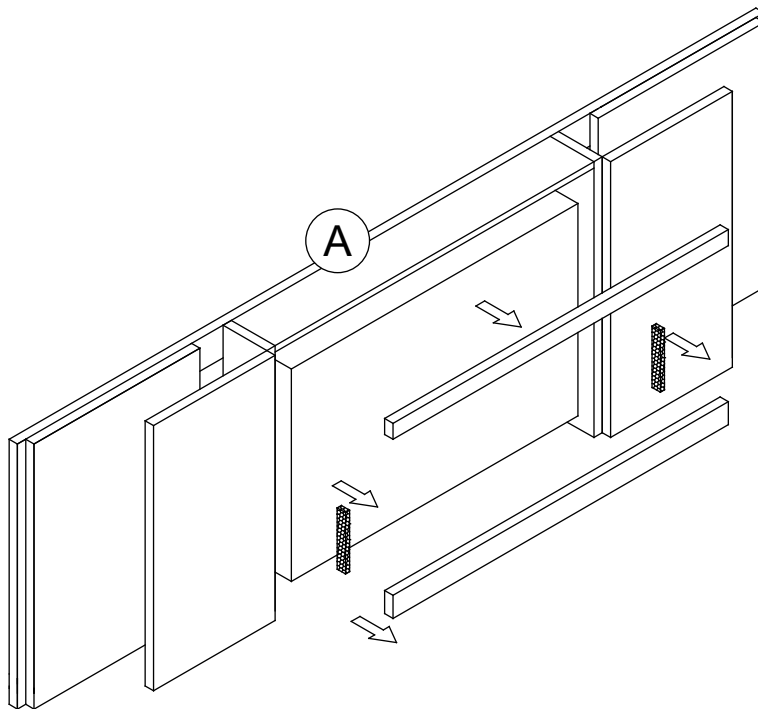
1

A x 1pc

2 PEOPLE RECOMMENDED FOR ASSEMBLY

FOR YOUR SAFETY

Remove all packing materials from around the firebox on Part A before assembling.



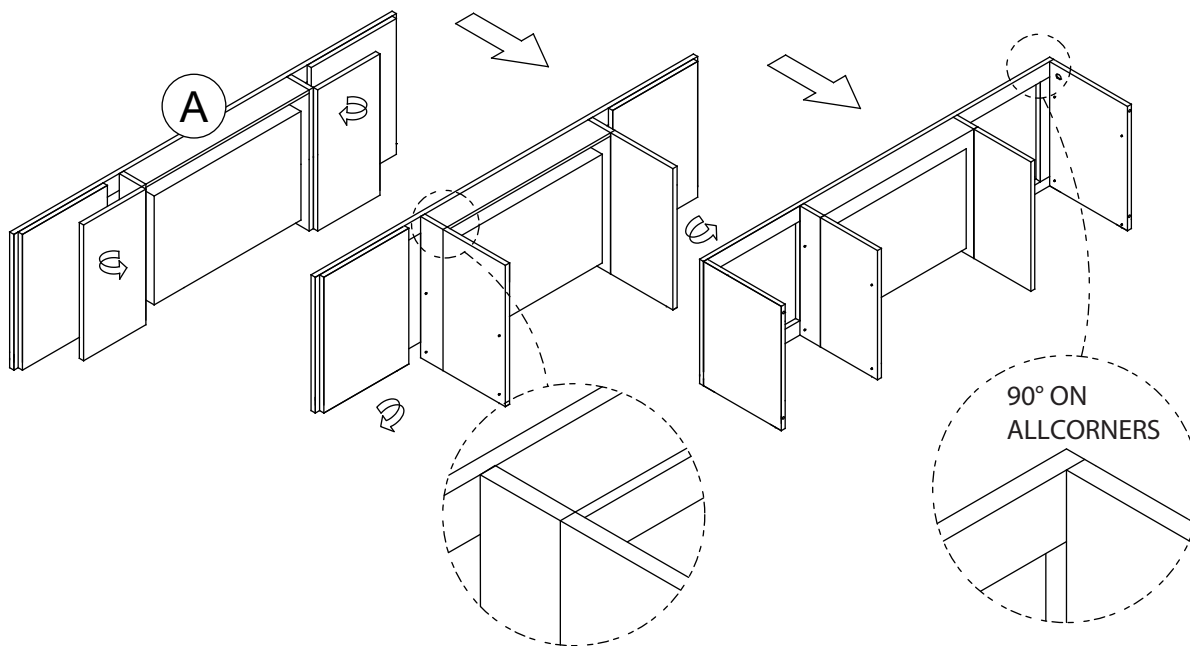
2

A x 1pc

2 PEOPLE RECOMMENDED FOR ASSEMBLY

Once all the packing materials are removed, unfold the inner panels toward the center until parallel to the sides of the firebox.

Then, unfold the outer panels out until parallel with the inner panels, as shown below and set aside.



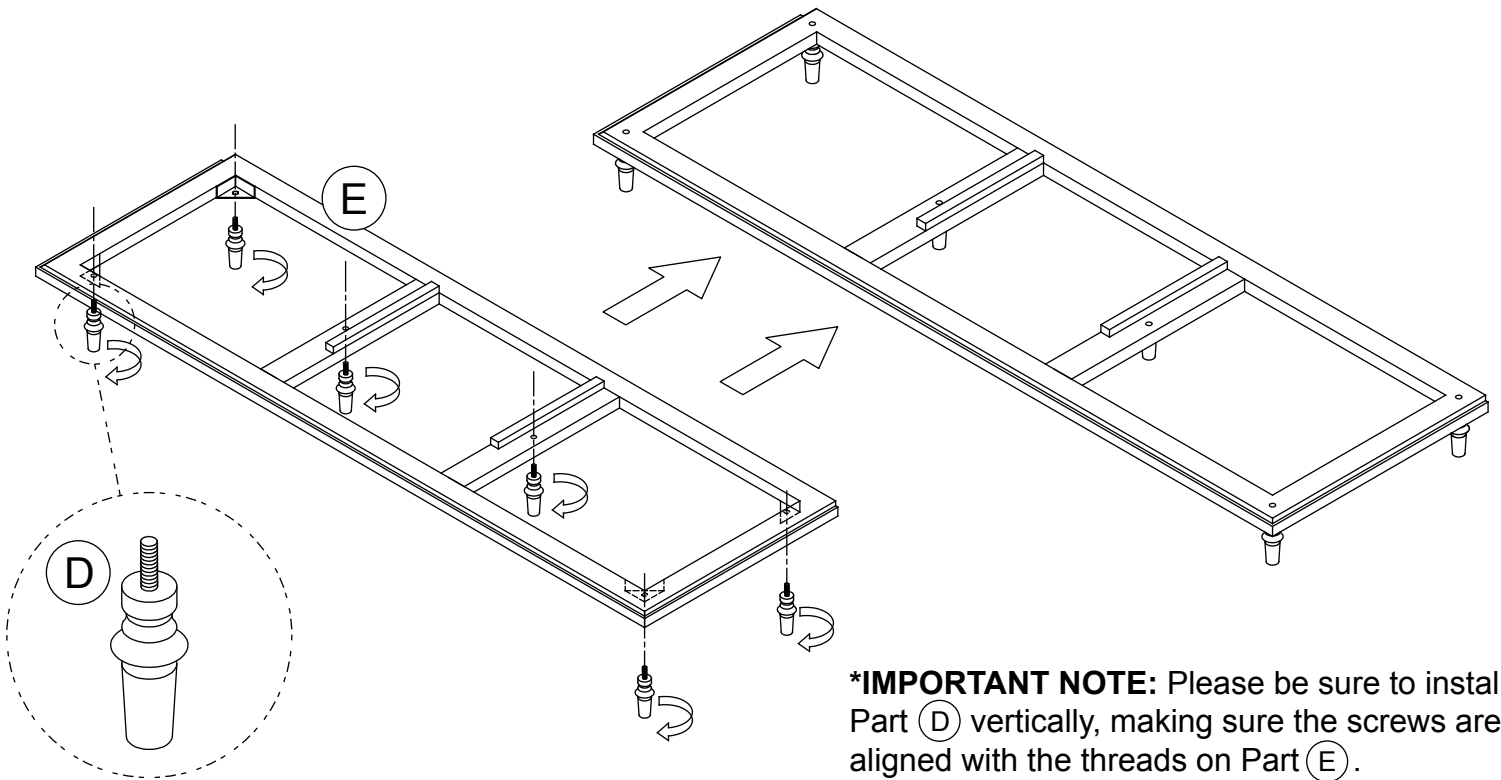
3

ⓓ x 6pcs

ⓔ x 1pc

2 PEOPLE RECOMMENDED FOR ASSEMBLY

Attach the legs (Part ⓓ x6 pcs) to the base, Part ⓔ .



4

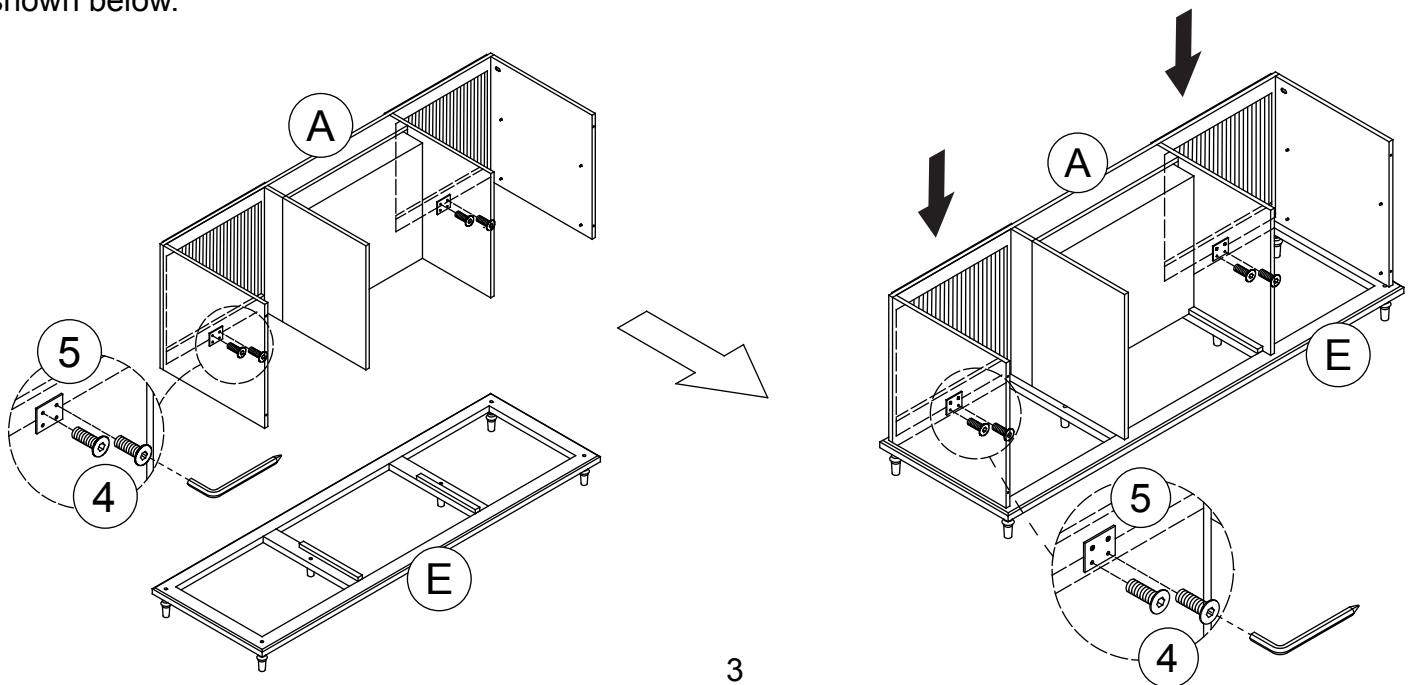
ⓐ x 8pcs

ⓑ x 2pc

2 PEOPLE RECOMMENDED FOR ASSEMBLY

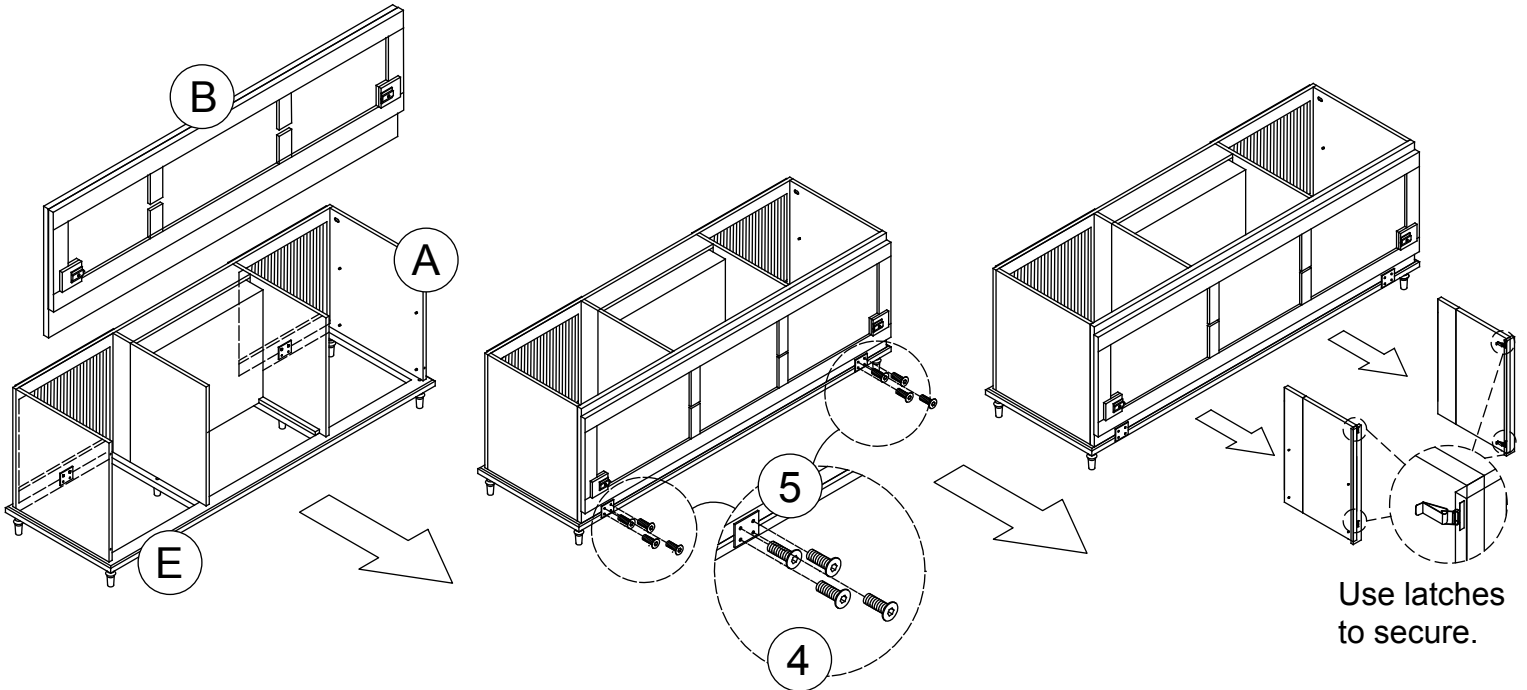
Attach the metal plates, Part ⓑ to Part ⓐ with screws (Part ⓐ x2 pcs).

Then, with the help of another person, place Part ⓐ on top of Part ⓔ and line up the metal plates to the pre-drilled holes on the base. Secure the parts together by using screws (Part ⓐ x2 pcs) as shown below.



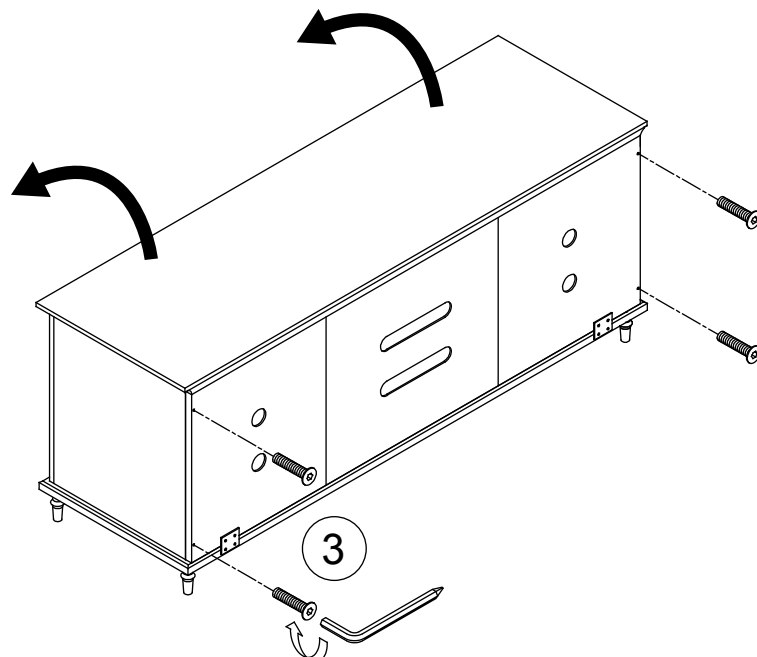
5**B** x 2pc**4** x 8pc**5** x 2pc**2 PEOPLE RECOMMENDED FOR ASSEMBLY**

Attach Part **B** to the base by using Part **5** (x2 pcs) & Part **4** (x8 pcs). Lastly, secure with latches as shown below.

**6****3** x 4pcs**2 PEOPLE RECOMMENDED FOR ASSEMBLY**

Flip the top over to reveal pre-drilled holes on each corner.

Use screws (Part **3**) x4 pcs) to attach the back panel.

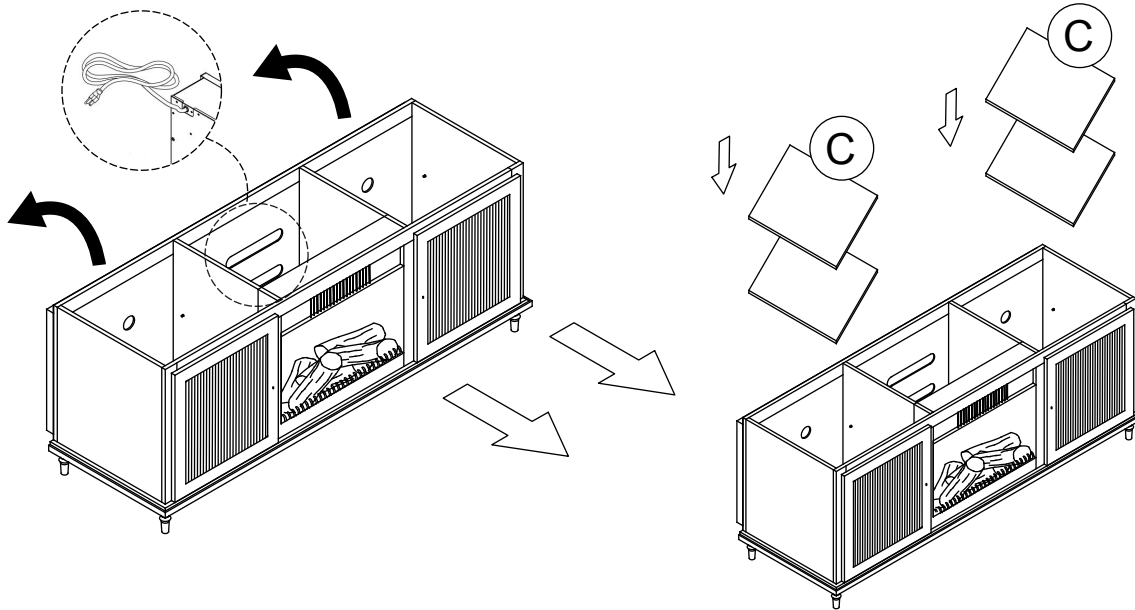


Open the lid to unravel the firebox cable and pass through the back opening.

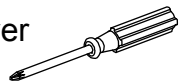
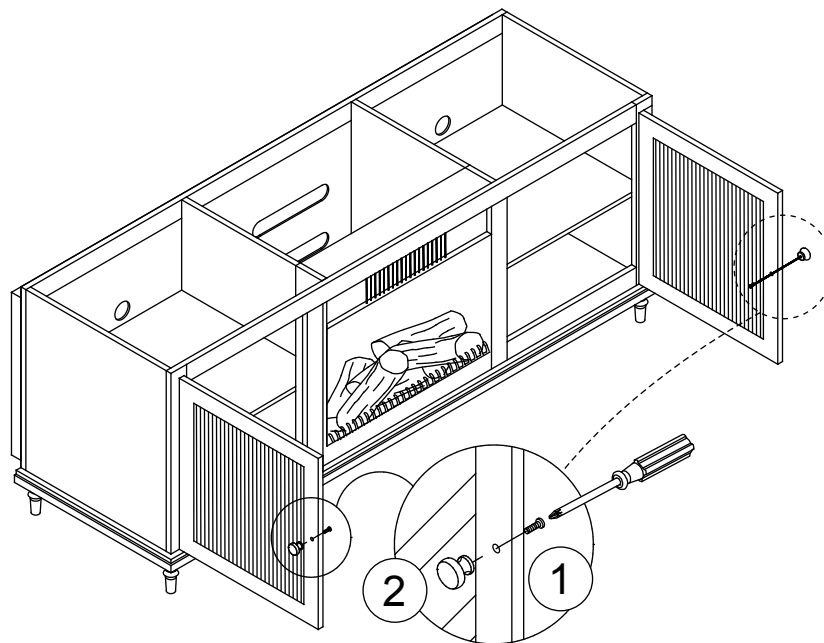
Then, insert Part C (x 4pcs), by tilting as shown below and set them flat onto the preinstalled pegs.

⚠ WARNING: DO NOT PLUG INTO POWER UNTIL ASSEMBLY IS COMPLETE.

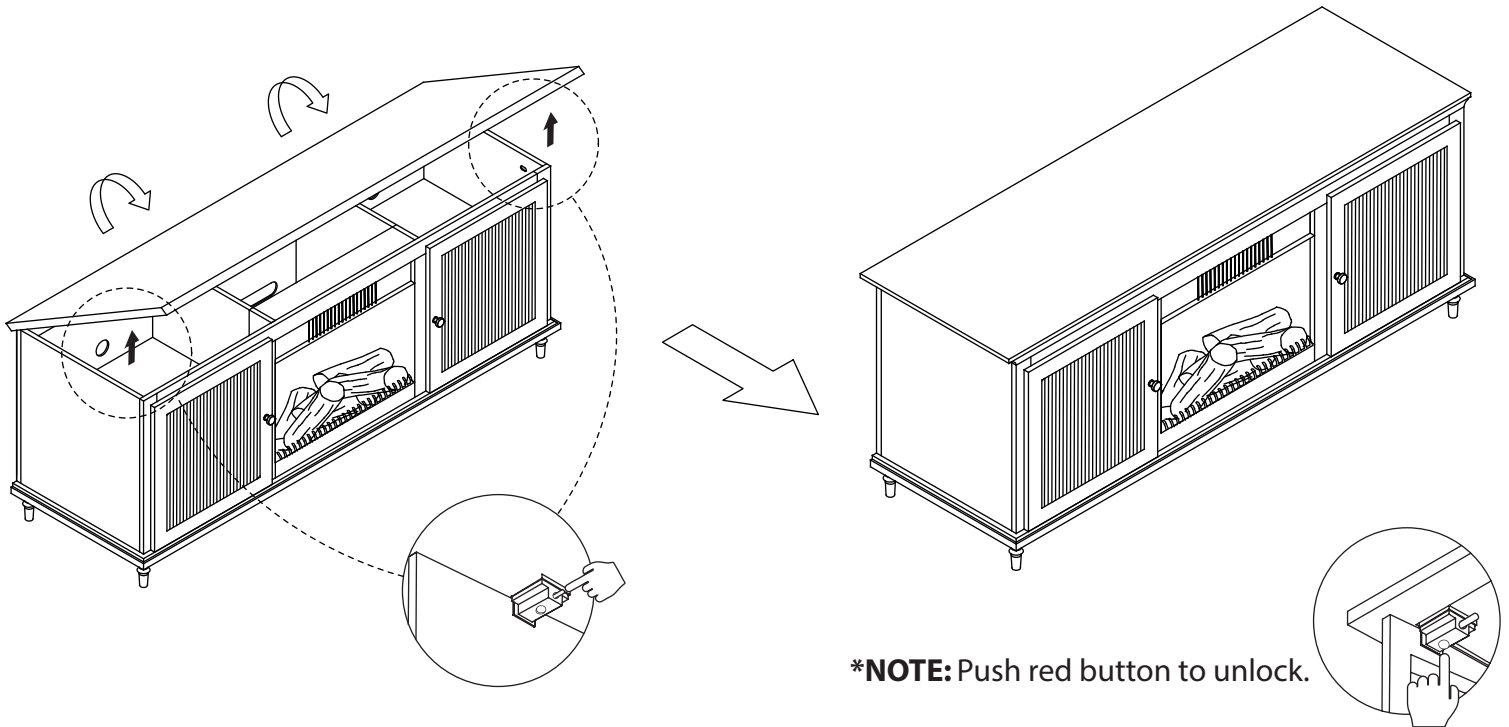
Once assembly is complete, see pages 7-14 for complete fireplace functions & use.



Open the doors and attach the knobs, Part 2 with the screws, Part 1.

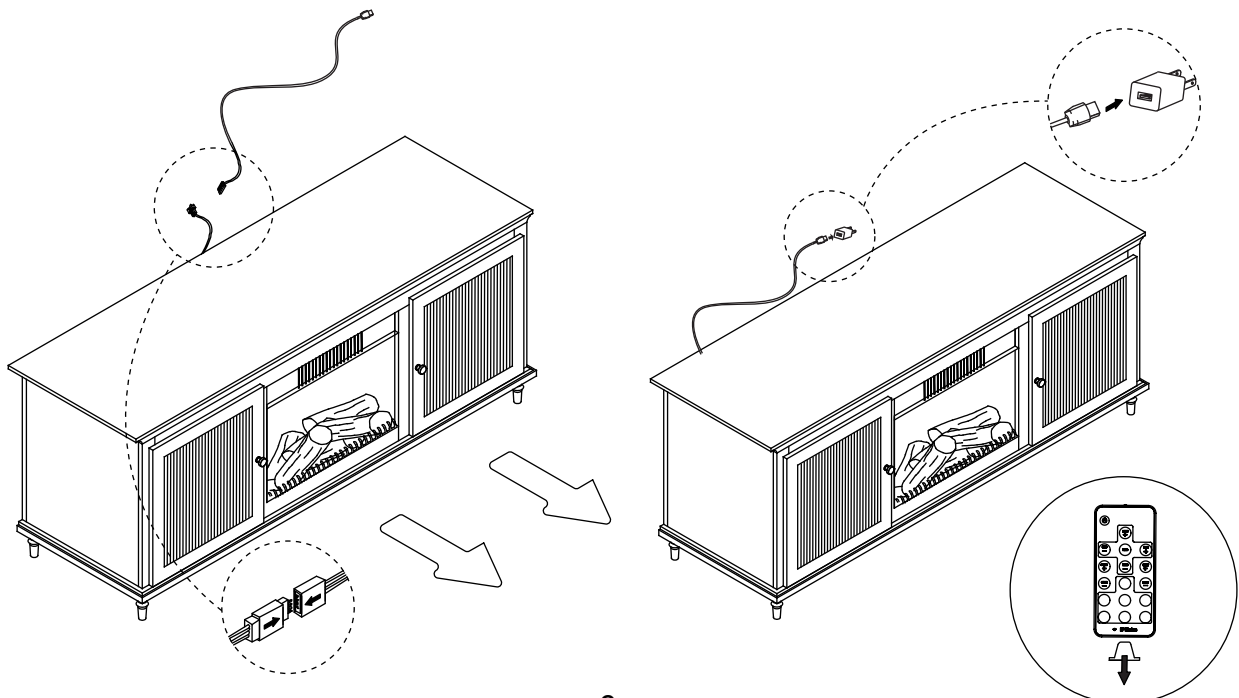


Flip the top panel over. Locate the pins on the underside of the top panel. Once the top panel is in place, push the pin to lock on both sides to lock.



Attach the LED light strip to the strip on the back of the tv console. Then, attach the power brick to the USB connection. Plug into power outlet.

Pull plastic tab from the included LED remote to power the LED lights. SEE FUNCTIONS & USE ON NEXT PAGE.



LED REMOTE FUNCTIONS & USE

1. Turn On/ Standby

Press this key to turn on unit or switch to standby mode. At power on, unit will automatically turn on and restore to previous status.

2/9. Dynamic Mode Adjustment

Switch to dynamic mode from static color; or switch between dynamic modes.

3/10. Dynamic Speed Adjustment

Adjust dynamic playing speed. Press 'SPEED+' to increase speed and press 'SPEED-' to decrease. Unit will switch to dynamic mode if you press this key at static color mode.

4/5. Static Color Mode Adjustment

Switch to static color mode from dynamic mode, or switch between static colors.

6. Direct Color Select

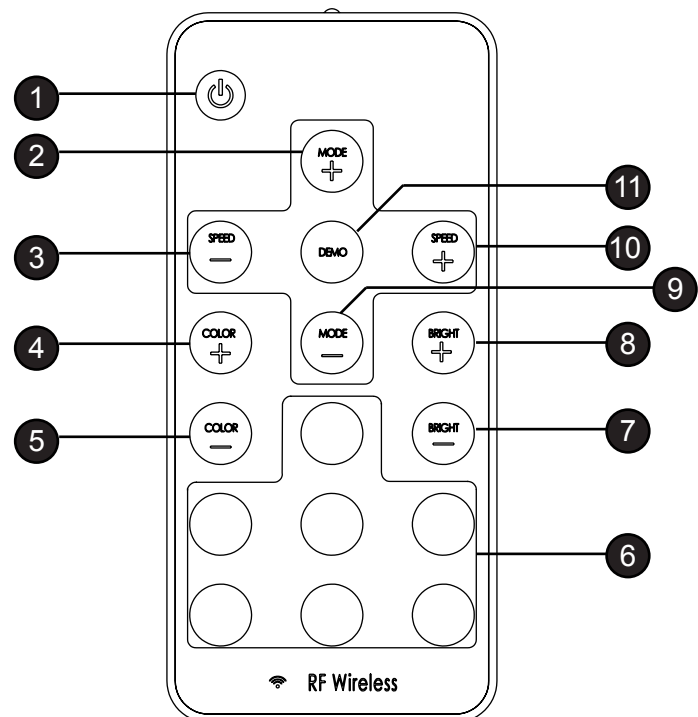
Shortcut key to static colors. When you press the specific color key, LED will play the same static color. The direct colors are included in 'COLOR+' and 'COLOR-' operation.

7/8. Brightness Adjustment

Adjust static color brightness. Press BRIGHT+ to increase brightness and press BRIGHT- to decrease. Unit will switch to static color mode if press this key at dynamic mode.

11. Demo Mode

Press this key to switch to Demo mode. At demo mode. It plays 17 dynamic modes in loop, each mode repeat 3 times.



FIREPLACE FUNCTIONS & USE

1500 WATTS (5000 BTU)

SAFETY INFORMATION

IMPORTANT SAFETY INFORMATION

PLEASE READ ALL OF THE INFORMATION IN THIS OPERATING MANUAL, INCLUDING ALL SAFETY, OPERATING, AND MAINTENANCE INFORMATION. TO AVOID POTENTIAL RISK OF FIRE, ELECTRIC SHOCK, OR INJURY TO PERSONS, USERS SHOULD FOLLOW THE DIRECTIONS AND WARNINGS IN THIS MANUAL

1. Read all instructions before using this firebox.
2. Do not use this firebox outdoors.
3. This firebox is not intended for use in bathrooms, laundry areas, and similar indoor locations. Never place firebox near water.
4. Do not run the power cord under carpeting. Do not cover the power cord with rugs, runner, or similar items. Place the cord away from traffic areas where it will not be tripped over.
5. To disconnect the firebox, turn controls to off, then remove the plug from the outlet.
6. Connect to properly grounded outlets only. Always plug firebox directly to a wall outlet/receptacle. Never use with an extension cord or reloadable power tap (outlet/power strip).
7. To prevent a possible fire, do not block firebox air intakes or the exhaust in any manner. Do not operate the firebox on soft surfaces, like a bed, where openings may become blocked.
8. There is a thermostat limiter inside the heater. When the inner temperature over heats or abnormal heating occurs, the thermostat protective device cuts off power supply to avoid fireplace damage or risk of fire.
9. Use this firebox only as described in this manual. Any other use is not recommended by the manufacturer. Improper use may cause fire, electrical shock, or injuries.

SAVE THESE INSTRUCTIONS



WARNING: There are no user serviceable parts inside the firebox/heater. If the unit appears to malfunction, turn the unit off and unplug the unit from the wall immediately.



WARNING: The firebox is hot when in use. To avoid burns, do not let bare skin touch the hot surface. If provided, use the handles when moving this heater. Keep combustible material, such as furniture, pillows, bedding, papers, clothes and curtains at least 3 ft. (0.9 meters) from the front of the firebox and keep them away from the sides and rear.



WARNING: Extreme caution is necessary when any heater is used by or near children, or when left operating and unattended.



WARNING: Always unplug the firebox when not in use.



WARNING: Do not operate any heater with a damaged cord or plug or after the heater malfunctions, has been dropped or damaged in any manner. Return the heater to an authorized service facility for examination, electrical or mechanical adjustment, or repair.



WARNING: Do not insert or allow foreign objects to enter any ventilation or exhaust openings as this may cause an electric shock or fire, or damage the heater.



WARNING: A heater has hot and arching or sparking parts inside. Do not use in areas where gasoline, paint, or flammable liquids are used or stored.



CAUTION: A heater has hot and arching or sparking parts inside. Do not use in areas where gasoline, paint, or flammable liquids are used or stored.

FIREPLACE FUNCTIONS & USE

1500 WATTS (5000 BTU)

SAFETY INFORMATION (CONTINUED)

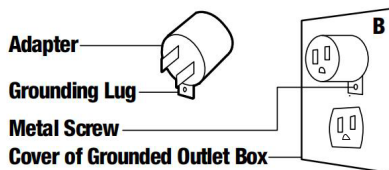
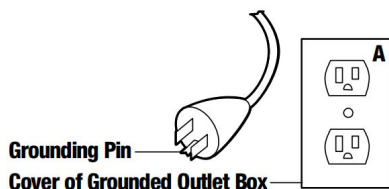
GROUNDING INSTRUCTIONS



DANGER: Improper connection of the equipment grounding conductor can result in a risk of electric shock. Check with a qualified electrician or service man if you are in doubt as to whether the product is properly grounded. Do not modify the plug provided with the product. If it will not fit the outlet, have a proper outlet installed by qualified electrician.

This product must be grounded. If it should malfunction or break down, grounding provides a path of least resistance for electric current to reduce the risk of electric shock. This product is equipped with a cord having an equipment-grounding conductor and a grounding plug. The plug must be plugged in to an appropriate outlet that is properly installed and grounded in accordance with all local codes and ordinances. This heater is for use on 120 volt circuits and has a grounded plug.

An adapter is available for connecting three-blade grounding type plugs to two-slot receptacles. The green grounding lug extending from the adapter must be connected to a permanent ground such as a properly grounded outlet box. The adapter should not be used if a three-slot grounded receptacle is available.



WARRANTY

We are confident that you will be delighted with this purchase. Should this product be defective in workmanship or materials, or fail under normal use, we will repair or replace it for a period of up to one (1) year from date of purchase.

This warranty gives you specific rights and you may also have other rights which vary from state to state.

FCC STATEMENT

This equipment has been tested and found to comply with the limits for a Class B digital device, pursuant to Part 15 of the FCC Rules.

These limits are designed to provide reasonable protection against harmful interference in a residential installation. This equipment generates, uses, and can radiate radio frequency energy and, if not installed and used in accordance with the instructions, may cause harmful interference to radio communications. However, there is no guarantee that interference will not occur in a particular installation. If this equipment does cause harmful interference to radio or television reception, which can be determined by turning the equipment off and on, the user is encouraged to try to correct the interference by one or more of the following measures:

- Reorient or relocate the receiving antenna.
- Increase the separation between the equipment and the receiver.
- Connect the equipment into an outlet on a circuit different from that to which the receiver is connected.
- Consult the dealer or an experienced radio/TV technician for help.

This device complies with Part 15 of the FCC Rules. Operation is subject to the following two conditions:

- 1) This device may not cause harmful interference, and
- 2) This device must accept any interference received, including interference that may cause undesired operation.

Modifications not approved by the party responsible for compliance could void user's authority to operate the equipment.

CAN ICES-3 (B)/NMB-3(B)

This Class B digital apparatus complies with Canadian ICES-003.

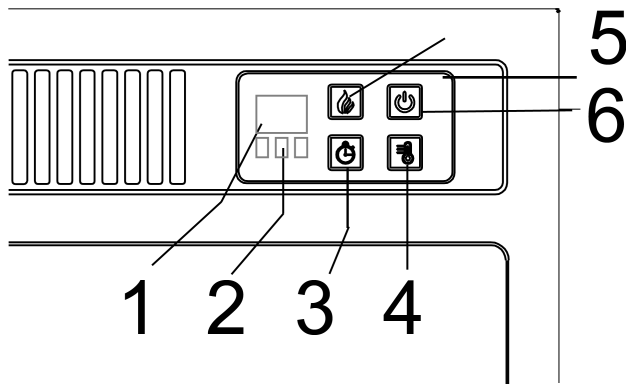
FIREPLACE FUNCTIONS & USE

1500 WATTS (5000 BTU)

OPERATION

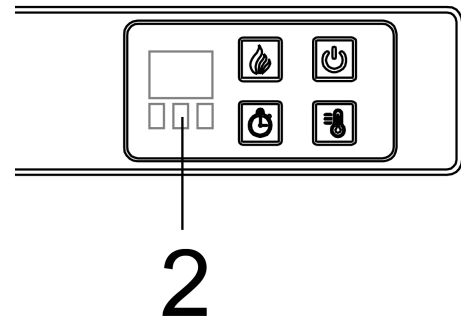
1. IDENTIFYING THE CONTROL PANEL

- The control panel is located on the top right corner of the fireplace/heater unit.
- The control panel contains the display unit (1), function indicator (2), timer function (3), heater control (4), flames control (5), and main power (6).
- The display unit (1) displays information about the flame level, timer, and current temperature.



2. UNDERSTANDING THE FUNCTION INDICATOR

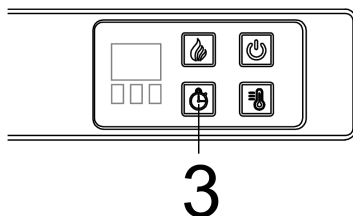
- The function indicator (2) has three square LEDs– red, green, and blue. The red LED indicates that the Fahrenheit temperature heating function is running, the green LED indicates that the Celsius temperature heating function is running, and the blue LED indicates that the timer function is engaged.
- To the bottom of the three LEDs, is the infrared receiver module which communicates with the remote control to control the heater.



3. USING THE TIMER FUNCTION

- The timer button (3) allows you to set the amount of time you want the fireplace/heater to run. The timer button (3) operates both the flames and the heater function. If the heater is operating when the timer is set, then the heater is on the timer. If the flames are operating, then the timer will control the flames. If both the heater and flames are operating with the timer set, then the timer controls both the flames and the heater. Pressing the button in sequence will set the timer for a set interval. This interval period is shown in the display (1), in blue. The set intervals are displayed in this table. The timer interval is set from the time the interval is selected. There is no clock function for turning the heater or flames on or off at a specific time.

Button Press	Timer Interval	Display
1st press	30 Minutes	30
2nd press	1 Hour	1h
3rd press	2 Hours	2h
4th press	3 Hours	3h
5th press	4 Hours	4h
6th press	5 Hours	5h
7th press	6 Hours	6h
8th press	OFF	None



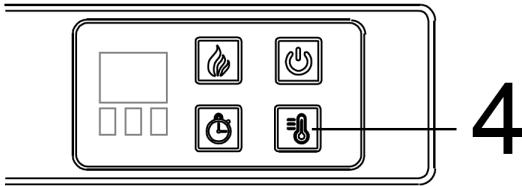
FIREPLACE FUNCTIONS & USE

1500 WATTS (5000 BTU)

OPERATION (CONTINUED)

4. USING THE HEATER CONTROL

- The heater button (4) turns the heater on or off. There is no speed setting for the heater blower. If you put the heater in a standby-mode (turn off by the main power button 6), the unit will hold the settings in the memory. When the power is turned back on, the heater will turn on at the same settings.
- When the heating function turns on, press and hold the heater button (4) for five seconds to enter temperature adjustment mode. The LED indicator is red. In adjustment mode, the display unit (1) flashes (interval is 0.5 seconds). There are 22 levels to change Fahrenheit temperature 72°F-73°F...82°F -ON-62°F -63°F...71°F. After this is set, the display (1) will flash five times and exit from setting status. If idle, the display turns off after 10 seconds.
- With the heater on, gently press and hold the main power button for five seconds to enter temperature converting mode. The LED indicator flashes five times in red color then changes to green. In this converting mode, the display (1) flashes (interval is 0.5 seconds). Press and hold the heater button (4) for five seconds to enter temperature adjustment mode. There are 12 levels to change Celsius temperature 22°C-23°C...27°C -ON- 17°C- 18...21°C. After it is set, the display (1) flashes five times. If idle, the display turns off after 5 seconds. Repeat the same process to convert Celsius temperature into Fahrenheit temperature.



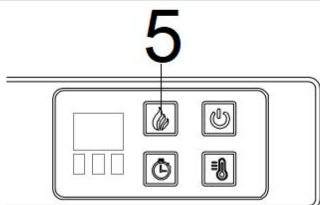
5. USING THE FLAME CONTROL

- Press the flame button (5) to set the flames for different levels of flame height. These flame levels are shown in the display (1). The flame settings are as follows:

Button Press	Flame Level	Display Value	Fireplace Appearance
1st press	High	L3	Flames Highest, Logs Glow Highest
2nd press	Medium	L2	Flames Medium, Logs Glow Medium
3rd press	Low	L1	Flames Low, Logs Glow Low

- Regardless of the previous flame setting, when powered off by the main power button (6), the flames will come on in L3 mode (High) when you turn the heater on.
- When the heater function turns on, the flame level will cycle through the 4 different level settings continuously.

Button Press	Flame Level	Display Value	Fireplace Appearance
1st press	High	L3	Flames Highest, Logs Glow Highest
2nd press	Medium	L2	Flames Medium, Logs Glow Medium
3rd press	Low	L1	Flames Low, Logs Glow Low
4rd press	None	None	Flames Motor Off, Only Low Glow (Sleep Mode)



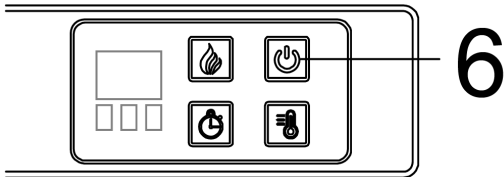
FIREPLACE FUNCTIONS & USE

1500 WATTS (5000 BTU)

OPERATION (CONTINUED)

6. USING THE MAIN POWER BUTTON

- Press the power button (6) to turn the fireplace/heater unit on and off. Press the power button (6) once to turn the unit on. Press again to turn the unit off.

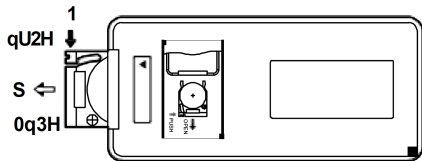


USING THE REMOTE CONTROL

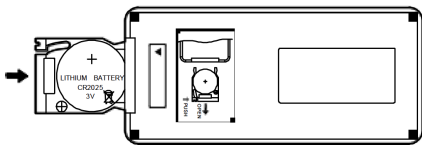
1. INSTALLING THE BATTERY

For replacement batteries, use lithium-based CR2025 batteries.

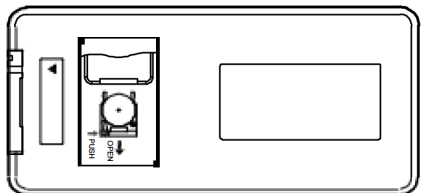
- Take out the battery bracket.



- Insert the battery with the button side into the battery bracket, making sure the battery is firmly in place.



- Press the battery bracket into the remote control, making sure it snaps into position.



Turn the remote over and aim it towards the fireplace/heater unit.

- Press the power button on the upper right, and see if the flames on the fireplace/heater turn on or off.
- If nothing appears to happen, check to make sure the battery is installed correctly, and try again.

FIREPLACE FUNCTIONS & USE

1500 WATTS (5000 BTU)

USING THE REMOTE CONTROL (CONTINUED)

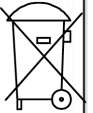


WARNING: DO NOT INJECT BATTERIES

1. Non-rechargeable batteries are not to be recharged.
2. Batteries are to be inserted with the correct polarity.
3. Exhausted batteries are to be removed from the product.
4. Always purchase the correct size and grade of battery most suitable for the intended use.
5. Replace all batteries of a set at the same time.
6. Clean the battery contacts and also those of the device prior to battery installation.
7. Remove batteries from equipment with is not to be used for an extended period of time.

NOTE:

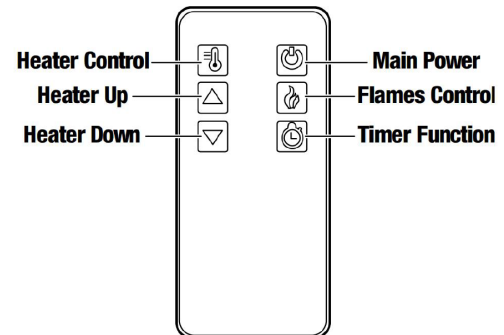
Battery disposal
Please always
dispose of batteries
at a suitable
recycling point.



USING THE REMOTE CONTROL

• The operation of the remote control buttons work the same as the buttons on the front panel of the fireplace/heater. Review the Operation section for more information on the functionality of these buttons.

NOTE: The remote control cannot lock/unlock the flame and heating function, and it cannot switch between Fahrenheit and Celsius.



CARE AND MAINTENANCE



WARNING: Always disconnect from the power supply before cleaning the heater. First turn off the main power. Then remove the electrical plug from the wall outlet.



WARNING: Do not use this firebox insert if any part of it has been under water. Immediately call a qualified service technician to inspect the firebox and replace any part of the electrical system which has been under water.

The blower motor and flame motor are pre-lubricated for a durable using time and need no further lubrication or maintenance. To remove any accumulation of dust or fluff the soft brush attachment of a vacuum cleaner should occasionally be used to clean the outlet grille of the fan heater.

- Use a soft, clean cloth that will not scratch the surface when dusting.
- Use a clean soft cloth dampened with warm water to clean the fireplace surface. DO NOT use household or abrasive cleaners, as these products may damage the surface.
- When cleaning the glass viewing screen use a non-abrasive damp cloth with liquid cleaner or soft soap if necessary; DO NOT use cleaning powders or any other substance with abrasives since these substances will scratch glass.
- Under no circumstances should this product be operated with a broken or chipped glass panel.
- Do not strike or slam the glass.
- In the event that your appliance is stained or otherwise damaged during use, we recommend that you call a professional to repair your furniture.
- When not in use please unplug the cord from the outlet to prevent any damage or accidental plug of the cord.

FIREPLACE FUNCTIONS & USE 1500 WATTS (5000 BTU)

TROUBLESHOOTING

Problem	Solution
The unit does not turn on.	Check that the unit is plugged into a standard 120V outlet. Press the power button on the control panel.
The main power switch lights up, but there is no flame effect.	Open the top and back panel to check if the flame spindle has fallen off from the spindle motor.
There is a visible flame effect, but the heater does not blow warm air.	Confirm that the temperature setting exceeds the room temperature. Turn on/off the Heater button several times to make sure it is in the "ON" position.
The heater does not work, but the Power and Heater switches are in the "ON" position and thermostat is set to "HI" .	Turn all switches to the "OFF" position and unplug the unit from the wall outlet for 15 minutes. After 15 minutes plug the unit back into the wall outlet, and operate as normal.
The display unit on the control panel shows "E3" and the function indicator is all bright, indicating it is in alarm mode.	Unplug the unit from the wall outlet for 15 minutes. After 15 minutes plug the unit back into the wall outlet, and operate as normal.
The display unit on the control panel shows "E2" and the function indicator is all bright, indicating it is in alarm mode.	Contact customer service center at rma@livingess.com
The display unit on the control panel shows "E1" and the function indicator is all bright, indicating it is in alarm mode.	Turn off the power and check the socket connection to ensure that the connection is correct and there is no bad contact, plug the unit back into the wall outlet, and operate as normal.
Remote control is not working.	Change the remote batteries. Operate remote transmitter at a slow measured pace. Press the remote control buttons with an even motion and gentle pressure. Repeatedly pressing buttons in rapid succession may cause the transmitter to malfunction.