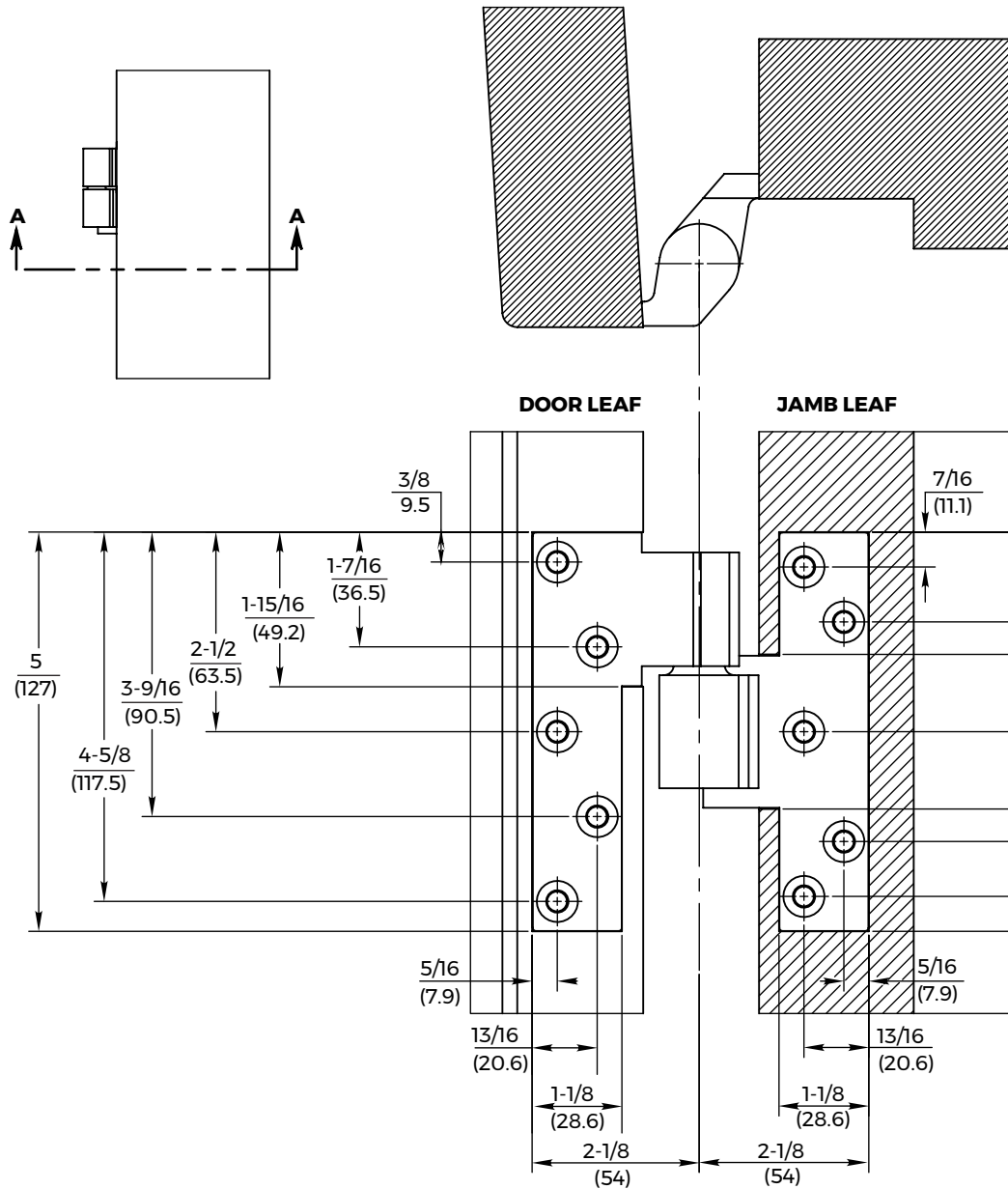
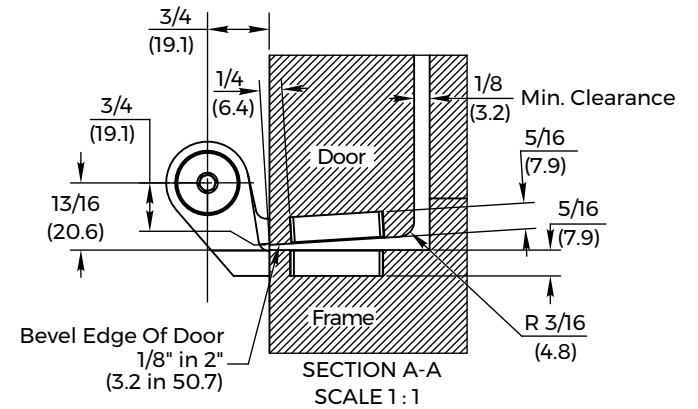


VIEW FROM BOTTOM OF DOOR LOOKING UP



- NOTES:**
1. Do not scale drawing.
 2. Dimensions are given in inches (mm).
 3. Pivot drilled for $\frac{1}{4}$ -20 x $\frac{5}{8}$ " FHMS or #14 x $1-1}{2}$ " FHWS.
 4. Right hand shown. Left hand opposite.

M19, FM19, M190, FM190 Intermediate Pivot
 $\frac{3}{4}$ " Offset Hung



TEMPLATE NUMBER	REV	DATE
IP50050	4	05/24