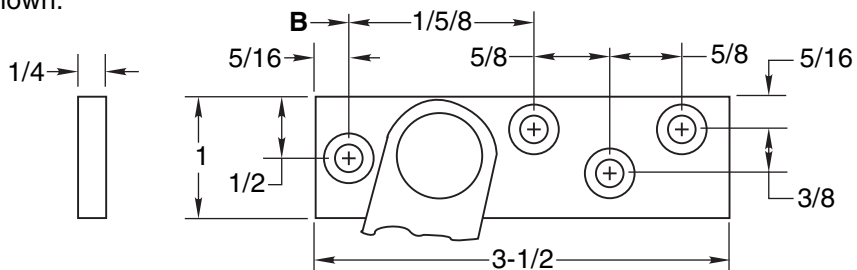


INSTALLATION INSTRUCTIONS

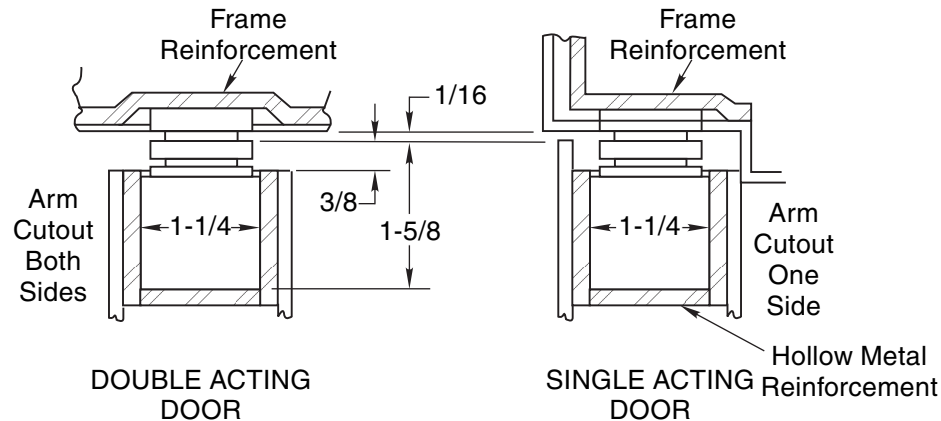
1. Determine degree of dead stop required. Then select proper dimensions from chart on opposite side of page.

NOTE: A, B and C dimensions are measured from hinge center, not edge of door.

2. Locate "B" dimension on frame and mortise 1/4" deep for jamb bracket as shown.



3. Locate "A" and "F" dimensions on centerline of door and mortise 1-5/8" deep for channel. 1/16" head clearance shown. Coordinate the arm and rail cutout dimensions if head clearance varies.



4. Locate "C" and "E" dimensions on top of door and mortise 3/8" deep as shown for arm cutout.

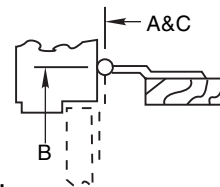
5. Install door stop or holder with screws provided.

NOTES:

- All hollow metal frames are to be provided with 3/16" min. thickness x 12" min. length reinforcement plates.
- All hollow metal doors are to have minimum 3/16" reinforcement plates.
- A, B and C dimensions are measured from centerline of pivot, not edge of door.
- Left hand shown, right hand opposite.
- All dimensions are given in inches. Metric = decimal (numerator divided by denominator) x 25.4.

CAUTION:

Note location of swing clear hinge centerline to determine "A", "B" and "C" dimensions.



Screw Details	
Jamb	Door
1/4-20 x 3/4" FHMS or #14 x 1-1/2" FHWS	5/16-18 x 1-1/2" FHMS or #18 x 3" FHWS

**No. 1 Series
 Concealed Door Stops
 Less Spring**



TEMPLATE NUMBER	SHEET	REV	DATE
OH80002A	1 of 2	2	01/22

No. 1 Series Concealed Door Stops Less Spring

1. See other side for installation instructions.
2. Select proper dimensions noted below.
3. All dimensions given in inches.

**When Using Center Hung Pivots, Check Pivot
Manufacturer's Compatibility Prior to Specifying**

* Butt mounting only.
Reversible, non-handed

Metric = decimal (numerator divided by denominator)
x 25.4.

1-3/4 - 2-1/4 Butts & 3/4 Offset Pivot	Device Number	Degree	85°				90°				95°				100°				105°				110°				
	Stop	Door Opening	A	B	C	E	A	B	C	E	A	B	C	E	A	B	C	E	A	B	C	E	A	B	C	E	F
	1-136	24 - 28	5-13/16	5-1/2	6-1/8	11-7/8	5-1/2	5-3/16	5-7/8	13-1/4	5-3/16	4-7/8	4-3/8	14-7/16	4-7/8	4-9/16	2-7/8	15-5/8	4-5/8	4-5/16	1-3/8	16-7/8	1-7/16	4-1/8	1-3/8	16-5/8	17-3/16
	1-236	28-1/16 - 33	7-9/16	6-9/16	7-3/8	15-3/4	7-3/16	6-3/16	6-7/8	15-7/8	6-13/16	5-13/16	5-7/8	16-1/2	6-1/2	5-1/2	4-7/8	17-3/16	6-1/4	5-1/4	3-5/8	18-3/16	6	5	2-3/8	19-1/8	18-7/16
	1-336	33-1/16 - 38	11-1/8	7-7/8	9-1/8	19-1/16	10-11/16	7-7/16	8-5/8	19-1/8	10-1/4	7	8-1/8	19-1/8	9-13/16	6-9/16	7-5/8	19-1/4	9-1/2	6-1/4	6-7/8	19-5/8	9-1/4	6	5-5/8	20-5/8	19-15/16
	1-436	38-1/16 - 43	14-1/16	9-11/16	10-7/8	22-3/8	13-9/16	9-3/16	10-3/8	22-3/8	13-1/16	8-11/16	9-7/8	22-3/8	12-9/16	8-3/16	9-3/8	22-3/8	12-1/8	7-3/4	8-7/8	22-3/8	11-13/16	7-7/16	8-5/8	22-3/8	22-1/16
	1-536	43-1/16 - 48	17-11/16	11-1/16	12-1/8	26-1/4	17-1/16	11-1/16	11-5/8	26-1/4	16-7/16	9-13/16	10-7/8	26-1/4	15-15/16	9-5/16	10-3/8	26-1/4	15-1/2	8-7/8	10-1/4	26-1/4	15-1/8	8-1/2	9-5/8	26-1/4	23-9/16

NOTE: A, B, and C dimensions measured from centerline of pivot, not edge of door.

1-3/4 - 2-1/4 Center Hung	Device Number	Degree	85°				90°				95°				100°				105°				110°				
	Stop	Door Opening	A	B	C	E	A	B	C	E	A	B	C	E	A	B	C	E	A	B	C	E	A	B	C	E	F
	-	-	-	-	-	-	-	-	-	-	-	-	-	-	-	-	-	-	-	-	-	-	-	-	-	-	-
	1-236	30 - 36	8	7	8-1/8	15-3/8	7-5/8	6-5/8	7-3/4	15-3/8	7-1/4	6-1/4	7-3/4	15-3/8	6-11/16	5-15/16	7-1/8	15-3/8	6-11/16	5-11/16	6-7/8	15-3/8	-	-	-	19-1/8	18-7/16
	1-336	36-1/16 - 41	11-3/4	8-1/2	9-5/8	19-1/8	11-1/4	8	9-1/8	19-1/8	10-13/16	7-9/16	8-3/4	19-1/8	10-1/16	7-3/16	8-3/8	19-1/8	10-1/16	6-13/16	7-7/8	19-1/8	9-3/4	6-1/2	7-5/8	19-1/8	19-15/16
	1-436	41-1/16 - 46	14-5/8	10-1/4	11-3/8	22-3/8	14	9-5/8	10-3/4	22-3/8	13-1/2	9-1/8	10-3/8	22-3/8	12-5/8	8-5/8	9-7/8	22-3/8	12-5/8	8-1/4	9-3/8	22-3/8	12-1/4	7-7/8	9-1/8	22-3/8	22-1/16
	1-536	46-1/16 - 50	18-3/8	11-3/4	12-7/8	26-1/8	17-5/8	11	12-1/8	26-1/8	16-15/16	10-5/16	11-3/8	26-1/8	16	9-13/16	10-7/8	26-1/8	16	9-3/8	10-3/8	26-1/8	15-9/16	8-15/16	10-1/8	26-1/8	23-9/16

No. 1 Series Concealed Door Stops Less Spring



TEMPLATE NUMBER	SHEET	REV	DATE
OH80002B	2 of 2	2	01/22

Approved 2022-05-02