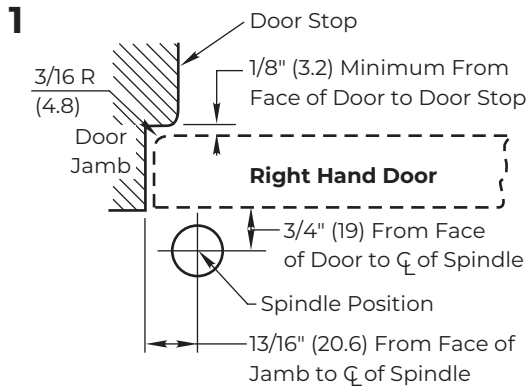


195 Pivot Set

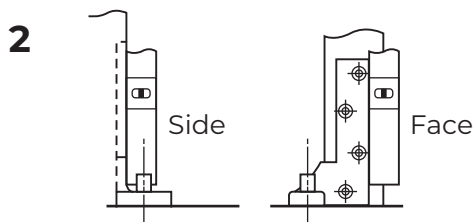


1. Install Pivot

- Measure $\frac{13}{16}$ " (20.6) out from door jamb.
- Allow $\frac{1}{8}$ " (3.2) min. clearance from door stop to door face. Measure door thickness. Add $\frac{3}{4}$ " (19).
- Where lines meet determines center line of closer.

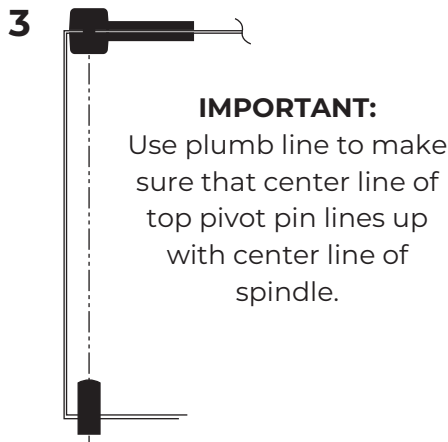
2. Set Pivot Set

- Mortise jamb to receive jamb leaf as shown on reverse side.
- Care must be exercised to see that pivot end of jamb leaf is level. Place levels as per illustration.



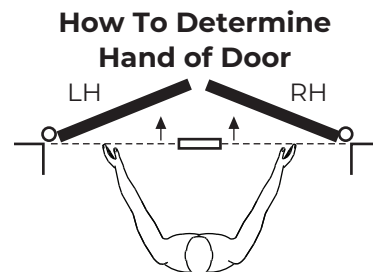
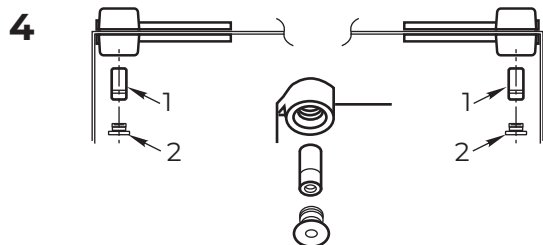
3. Install Top Pivot & Pivot Arm

- Install top pivot in door per template.
- Install top pivot in frame per template.
- Install arm in door per template.
- Center line of pivot should line up with center line of spindle. Use plumb line as illustrated.
- If side jamb pivot is used, see required template.



4. Hang Door

- Set door on pivot set spindle.
- Push Item 1 "top pivot pin" into place. Attach "cap" Item 2.
- If door drags at floor (or threshold, if used) loosen arm locking screw and raise door to desired clearance and insert one or more $\frac{1}{16}$ " (1.6) shims. Retighten arm locking screw securely.
- Put arm cap on arm and secure tightly with cap screw furnished.



Face a door swinging open away from you.
If it opens to the right, it is right hand. If it opens to the left, it is left hand.

195 Pivot Set
3/4" Offset, Handed

NORTON RIXSON
ASSA ABLOY

TEMPLATE NUMBER
IS-195

REV
4

DATE
12/25