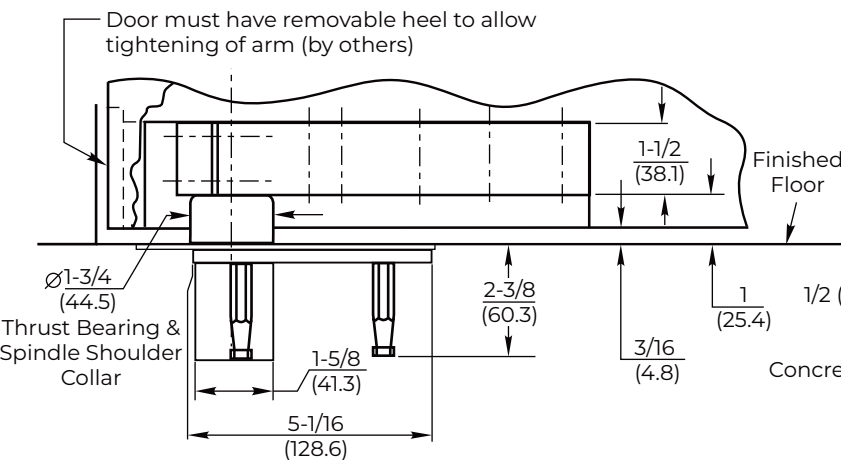
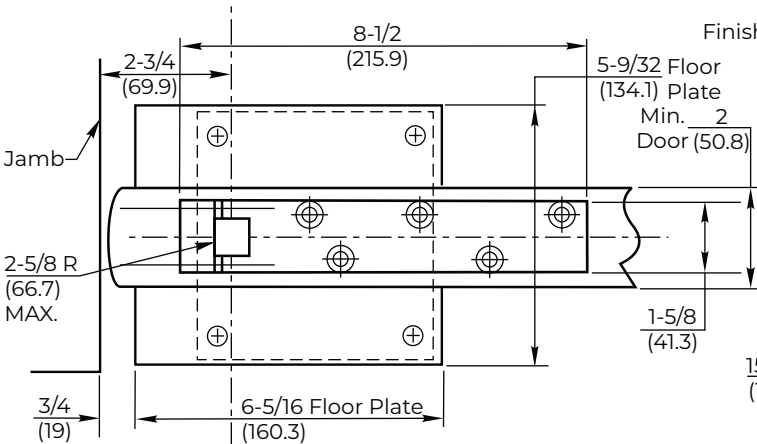
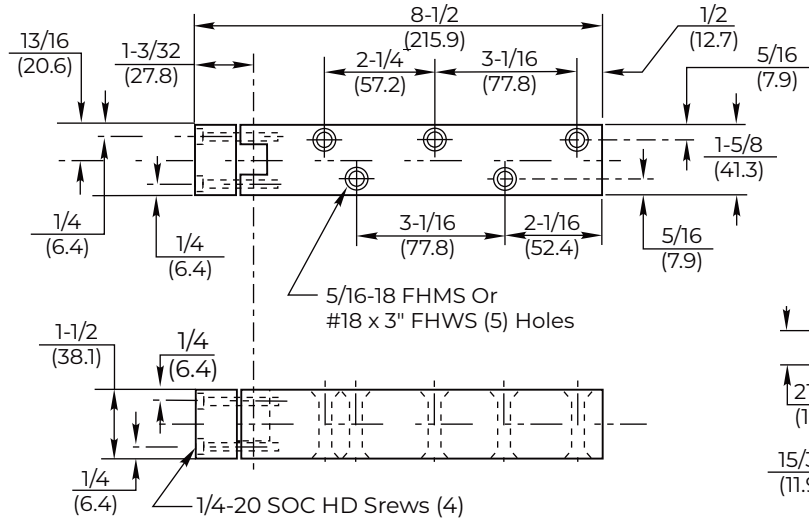


### ARM (NON-HANDED)

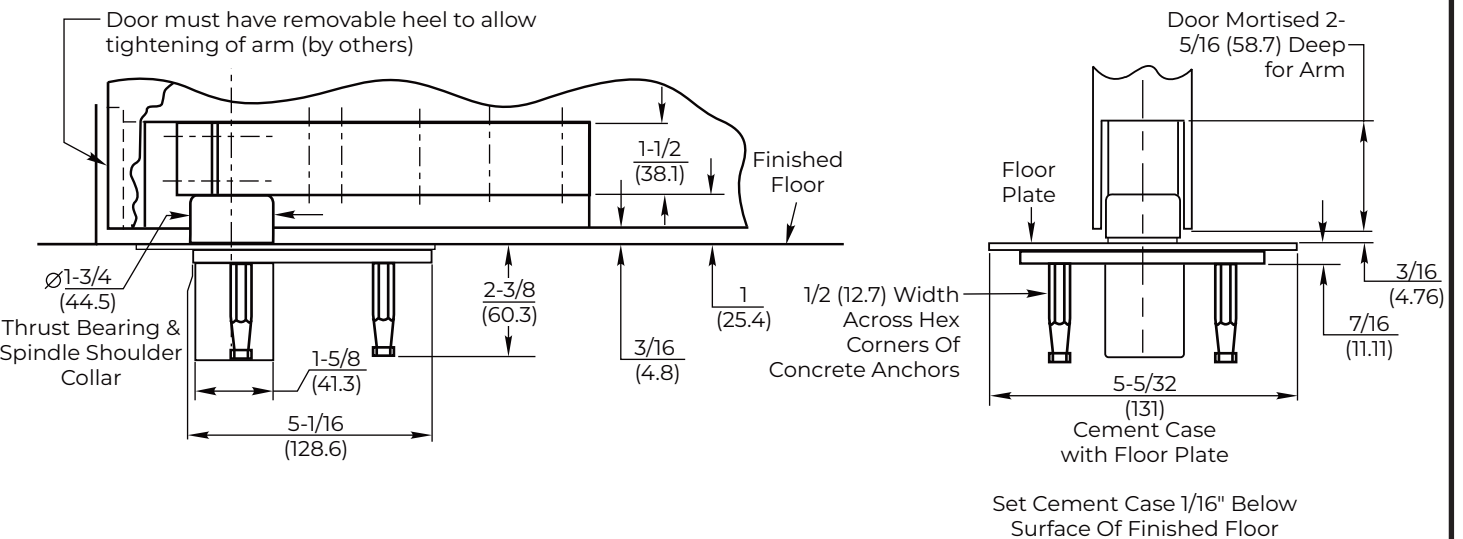
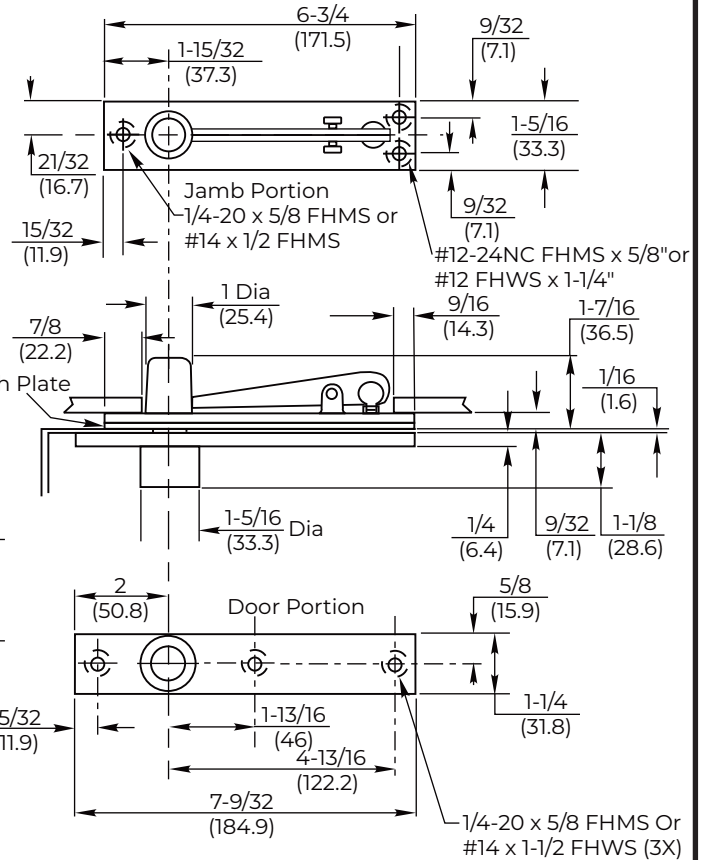


### NOTES:

1. Do not scale drawing.
2. Dimensions given in inches (mm).
3. Suitable reinforcing by others.
4. This template is for a 2" thick door or larger.
5. For 1-3/4" Thick Doors specify SP-LAYOUT-587.
6. For Wood Doors: Pre-drill Arm And Top Pivot holes to prevent splitting.

### H 340Top Pivot

Shown With 11/16" Dia. Pin Engaged

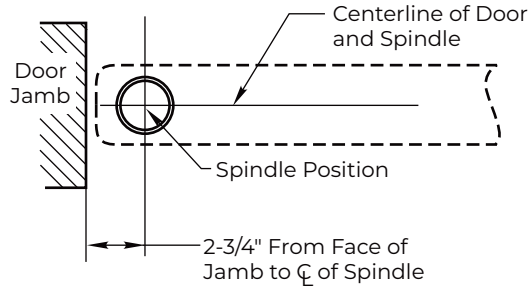


## H117-3/4 Pivot Set for Heavy Doors Center Hung



TEMPLATE NUMBER	REV	DATE
IS-H117-3/4	4	12/25

# H117-3/4 Pivot Set



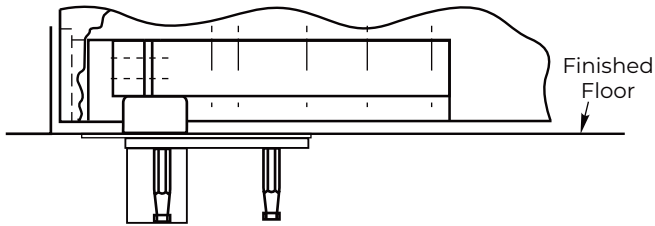
## 1. Locate Pivot

- A. Measure 2-3/4" out from door jamb on centerline of door. This is the location of the spindle center.

## 2. Install Cement Case in Floor

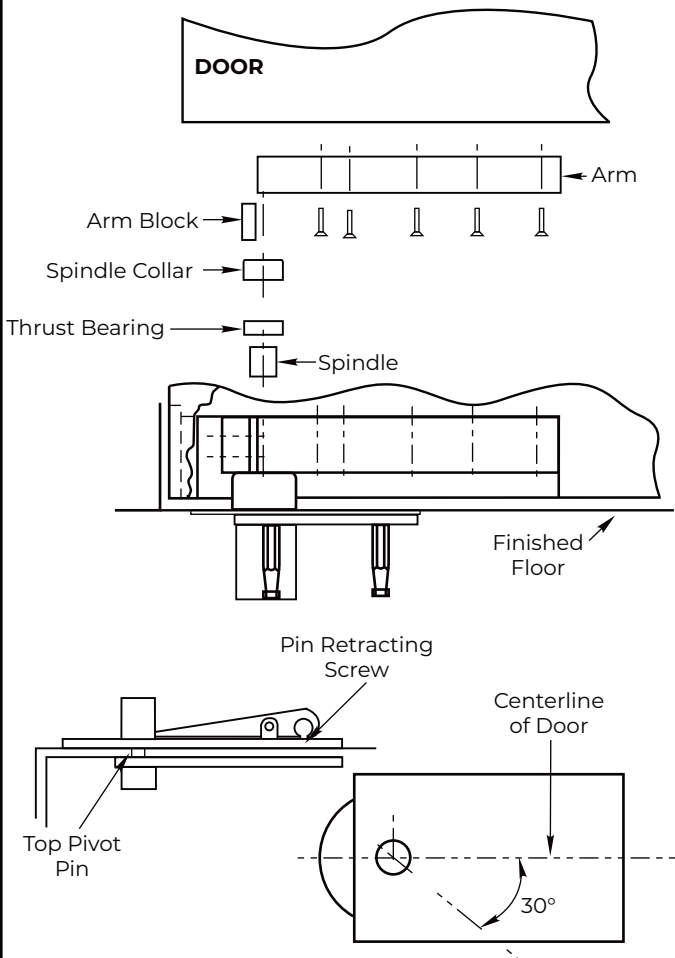
- A. For floor plate application: Cement case is set 1/8" (3.2mm) below floor level.
- B. For threshold application: Cement case is set flush with floor.
- C. Set cement case in floor and block in position.
- D. Case should be parallel with center line of door.
- E. **CEMENT CASE SHOULD BE LEVEL.** Place levels per illustration.
- F. Grout in cement case with closer. Cement should not get between closer and case.

LEVEL IN BOTH DIRECTIONS



## 3. Install Pivot and Arm

- A. Install top pivot in door per template.
- B. Install top pivot in jamb per template.
- C. Centerline of pivot pin should line up with centerline of spindle. Use plumb line to assure accuracy.
- D. Mortise door for arm.
- E. Install arm in bottom of door.



## 4. Hang Door

**CAUTION: DO NOT FORCE VALVES DOWN.**

- A. Retract top pivot pin by turning retracting pin screw counterclockwise.(see illustration)
- B. Turn spindle to 30° open position.(see illustration)
- C. Slide door on spindle. **DO NOT ATTEMPT TO CLOSE DOOR.** Attach arm cap but do not tighten.
- D. Line up two portions of top pivot and turn pin retracting screw clockwise.
- E. Tighten arm end block screws.
- F. Open door to 60° or more and open screw valve by turning screw counter-clockwise. Door will then close.

## H117-3/4 Pivot Set for Heavy Doors Center Hung



TEMPLATE NUMBER	REV	DATE
IS-H117-3/4	4	12/25