

Notes:

1. Do not scale drawing.
2. Suitable reinforcement by others.
3. Full glass or Herculite doors by others.
4. 3/16" (4.8) vertical adjustment.
5. Dimensions given in inches (mm).
6. Pivot does not return the door to center.

**178 Pivot Set
 Center Hung – Non Handed
 74210 Top Pivot – Non Handed
 Patch Fitting Installation**

**RIXSON®
 ASSA ABLOY**

www.rixson.com

TEMPLATE NUMBER

REV

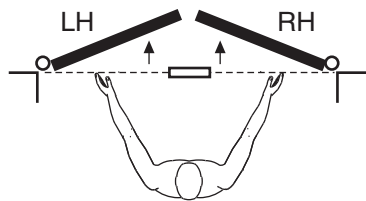
DATE

IS-178

3

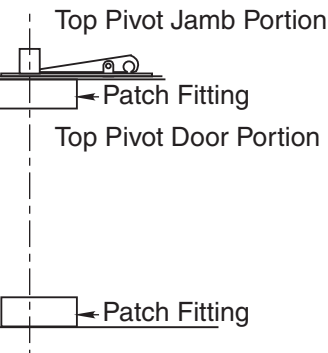
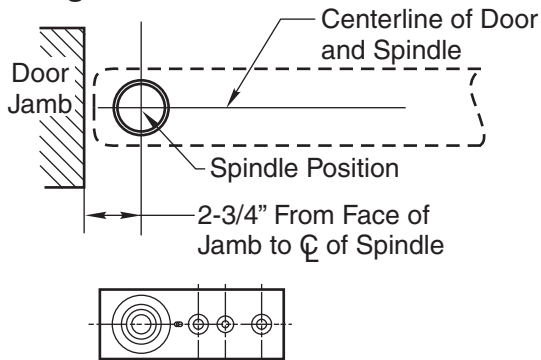
05-24

How To Determine Hand of Door



Face a door swinging open away from you. If it opens to the right, it is right hand. If it opens to the left, it is left hand.

1. Locating Closer

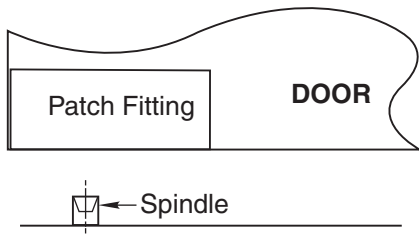


IMPORTANT:

Use plumb line to make sure that center line of top pivot pin lines up with center line of closer spindle.

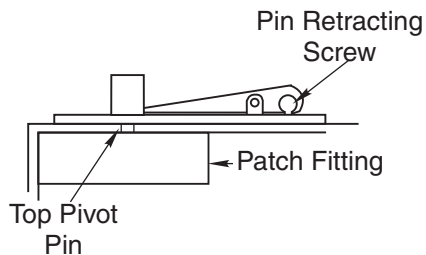
- A. Measure 2-3/4" out from door jamb on centerline of door. This is the location of the spindle center.
- B. Affix pivot with screws provided.

2. Install Pivot



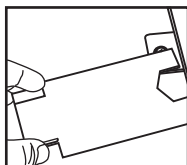
- A. Install patch fittings (top & bottom) into door per template.
- B. Install top pivot in jamb per template.
- C. Centerline of pivot pin should line up with centerline of spindle. Use plumb line to assure accuracy.

3. Hang Door



- A. Retract top pivot pin by turning retracting pin screw counterclockwise. (see illustration)
- B. Using wrench, turn until arm is in 30° open position. (see illustration)
- C. Set door on bottom pivot.
- D. Align jamb portion of the pivot with top patch and turn pin retracting screw clockwise.

4. Adjust Bottom Door Pivot



**178 Pivot Set
 Center Hung – Non Handed
 74210 Top Pivot – Non Handed
 Patch Fitting Installation**

RIXSON[®]
ASSA ABLOY

www.rixon.com

TEMPLATE NUMBER	REV	DATE
IS-178	3	05-24