

Closing speeds can be adjusted to suit local conditions and requirements. Label on closer face designates the purpose of each adjustment screw. Adjustments are for speed control.

Closer Type

This closer is one of three types as follows:

1. Non hold-open factory set. No hold-open adjustments.
2. Automatic hold-open factory set. No hold-open adjustment.

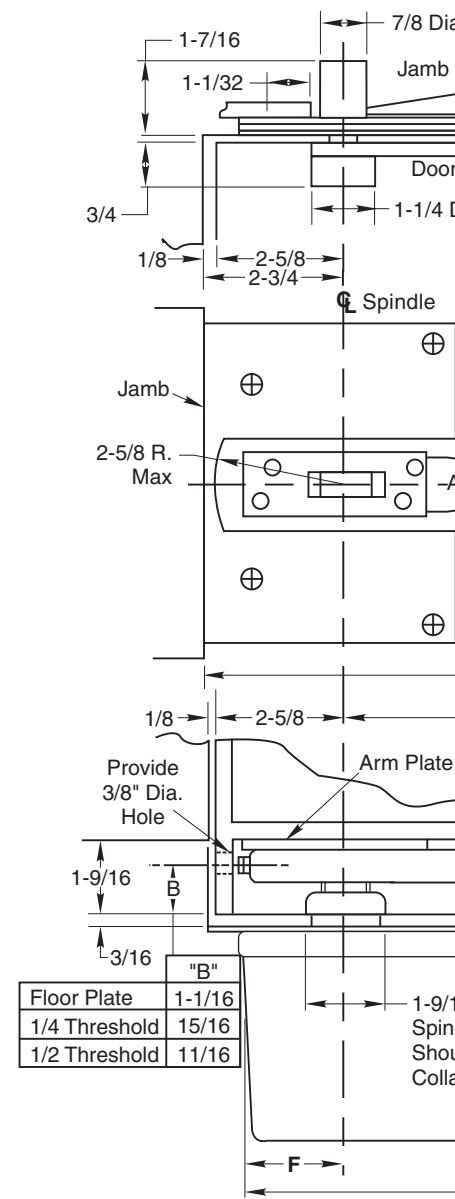
Spring Power Adjustments

This closer can be adjusted for increased or decreased spring power.

These adjustments if required should be done by an authorized repair agency.

Repairs, parts replacement or internal adjustments must be done by a Rixson authorized repair agency. Consult www.rixsondoorcontrols.com for an authorized repair agency in your area.

Template

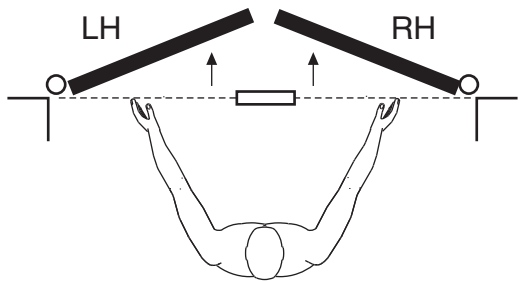


Closer Number	Dimensions		
	A	B	C
30	5-3/8	5-1/2	14-9/16
40	6-1/16	6-1/8	17

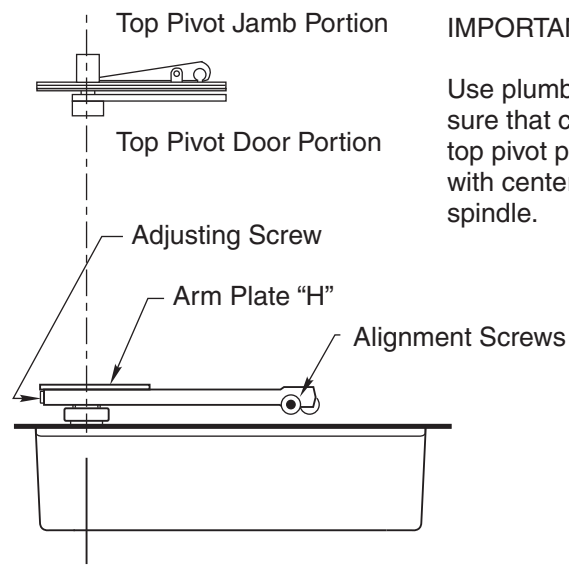
ASSA ABLOY is the global leader in door opening solutions, dedicated to satisfying end-user needs for security, safety and convenience.
Copyright © 2002, 2009, ASSA ABLOY Accessories and Door Controls Group, Inc. All rights reserved. Reproduction in whole or in part without the express written permission of ASSA ABLOY Accessories and Door Controls Group, Inc. is prohibited.

Conversion from inches to millimeters is not provided. Suitable reinforcing by other means is required. Rixson designed threshold and auxiliary stop required.

How To Determine Hand of Door



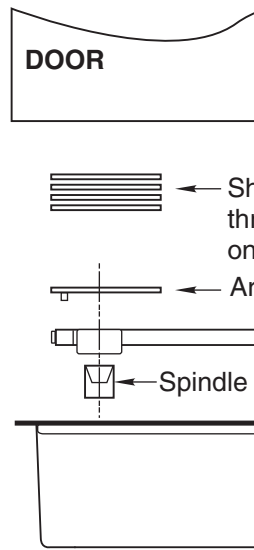
Face a door swinging open away from you. If it opens to the right, it is right hand. If it opens to the left, it is left hand.
 NOTE: This product allows door to swing in both directions.



IMPORTANT:

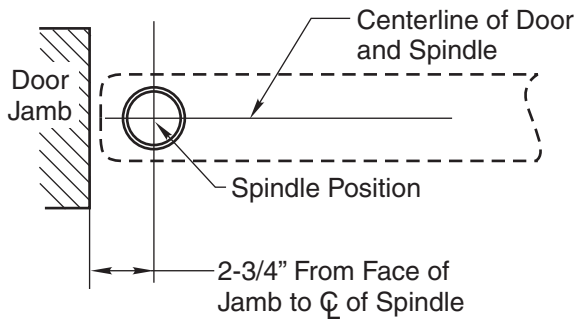
Use plumb line to make sure that center line of top pivot pin lines up with center line of closer spindle.

3. Install Pivot and Closer Arm



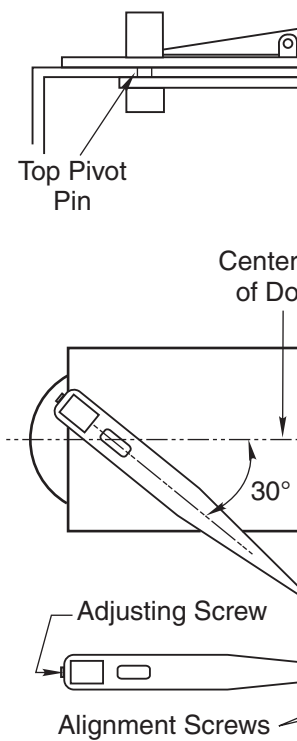
Installation Instructions

1. Locating Closer

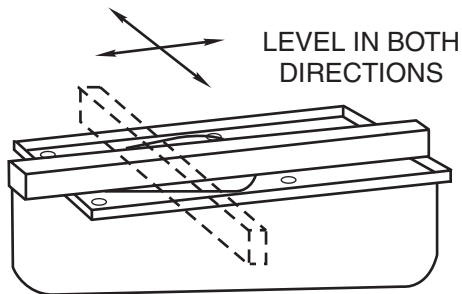


- A. Measure 2-3/4" out from door jamb on centerline of door. This is the location of the spindle center.

4. Hang Door



2. Install Cement Case in Floor



- A. For floor plate application: Cement case is set 1/8" (3.2mm) below floor level.
- B. For threshold application: Cement case is set flush with floor.
- C. Set cement case in floor and block in position.
- D. Case should be parallel with center line of door.
- E. CEMENT CASE SHOULD BE LEVEL. Place levels per Illustration.
- F. Grout in cement case with closer. Cement should not get between closer and case.