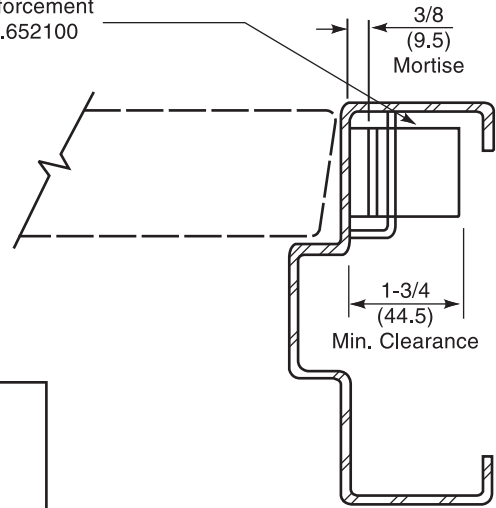


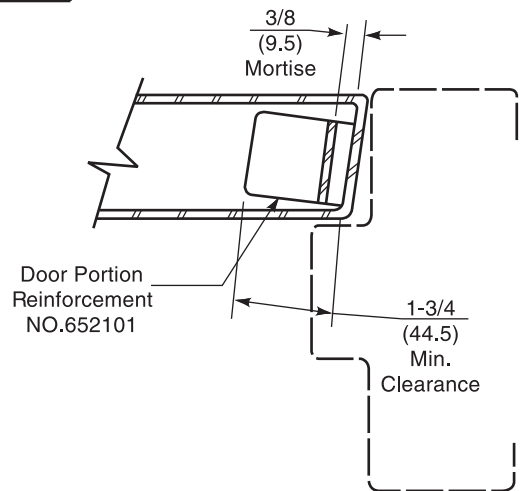
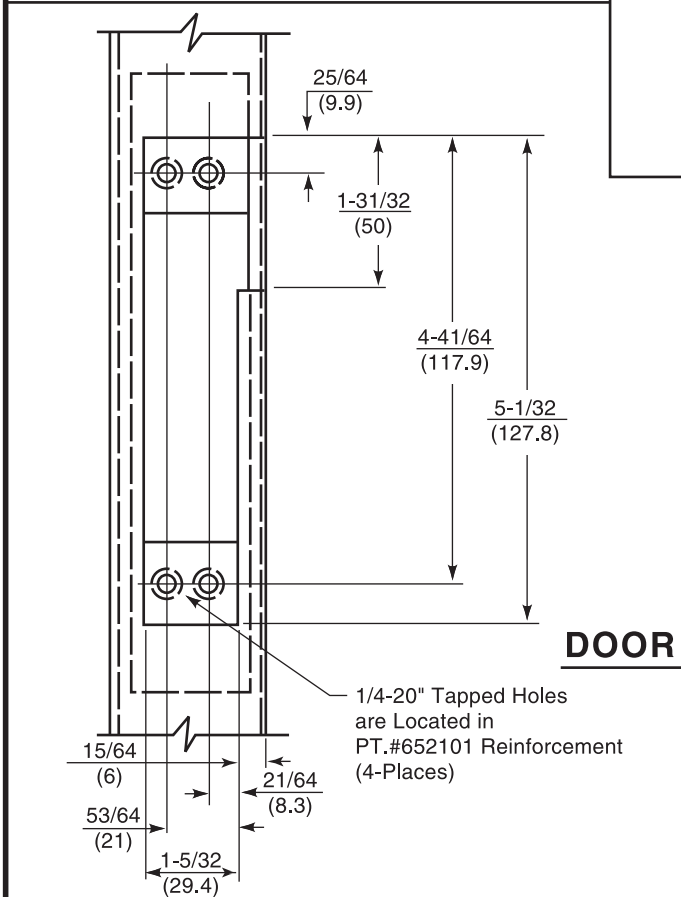
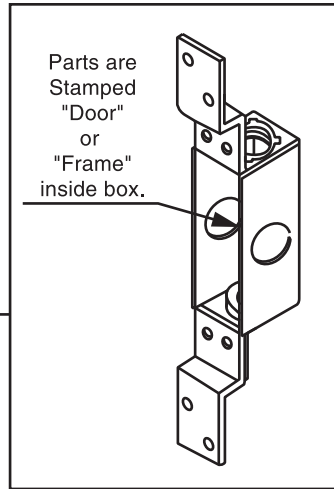
NOTE: \varnothing HOLE DIMENSION $\pm .005$ " TOLERANCE
 ALL OTHER DIMENSIONS $+ .015$ " $- .000$ " TOLERANCE.

Frame Portion
 Reinforcement
 NO.652100



Mortise Dimensions shown
 allow 1/64" (0.397) Clearance for
 Mounting Pivots.

RIGHT HAND SHOWN



NOTE: \varnothing HOLE DIMENSION $\pm .005$ " TOLERANCE
 ALL OTHER DIMENSIONS $+ .015$ " $- .000$ " TOLERANCE.

RIGHT HAND SHOWN

**EM19U Side Jamb Pivot
 Hollow Metal Door and Frame Prep
 (1/16" Set Back Shown)**

RIXSON
ASSA ABLOY

www.rixson.com

TEMPLATE NUMBER	REV	DATE
T-EM19U-HM	3	05-24