

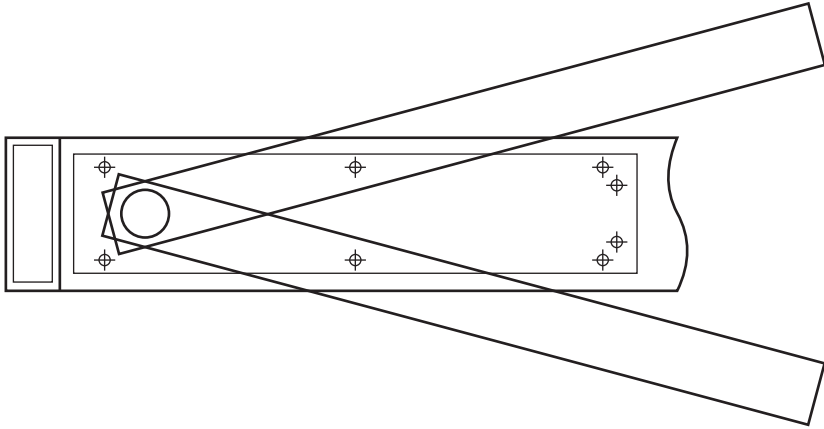
6. Centering the door. Open the adjustment valves.

800 Series

Center door in jamb by adjusting centering screws in top arm. Tighten arm screws securely.

700 Series

Adjust arm centering screws to provide pressure of door against stop on frame. Tighten main arm screws securely.

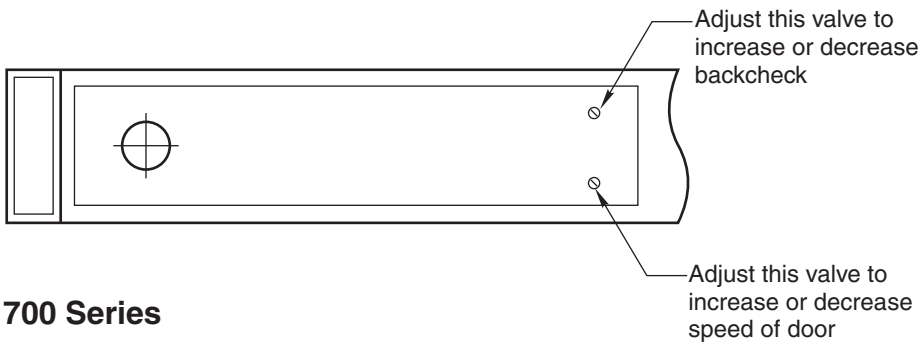


7. Adjust closing speed of door.

800 Series

Each valve controls one swing only. To decrease speed turn clockwise. To increase speed turn counter clockwise.

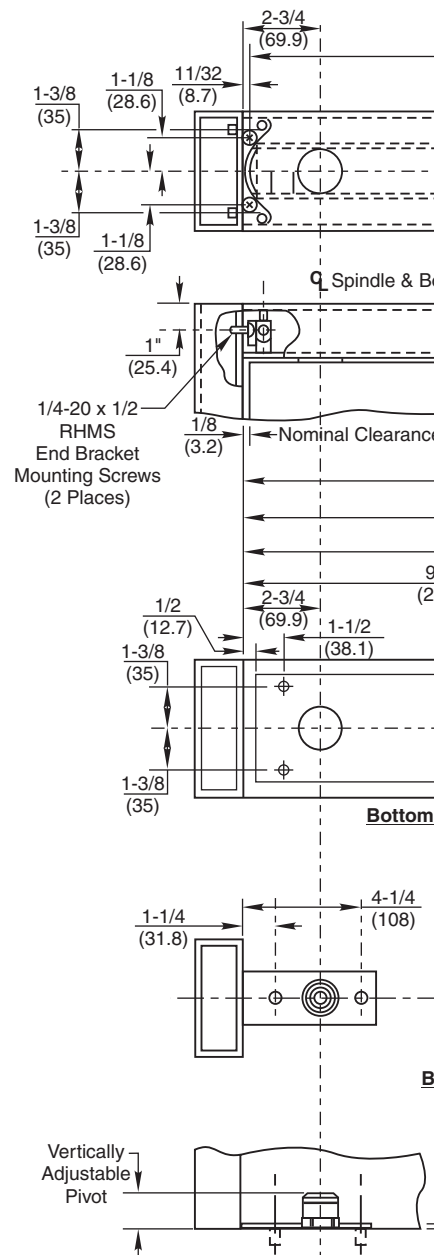
Adjust each valve screw per illustration.



700 Series

To decrease speed turn valve clockwise. To increase speed turn valve counter clockwise.

To increase backcheck, turn valve clockwise, to decrease backcheck turn valve counter clockwise.

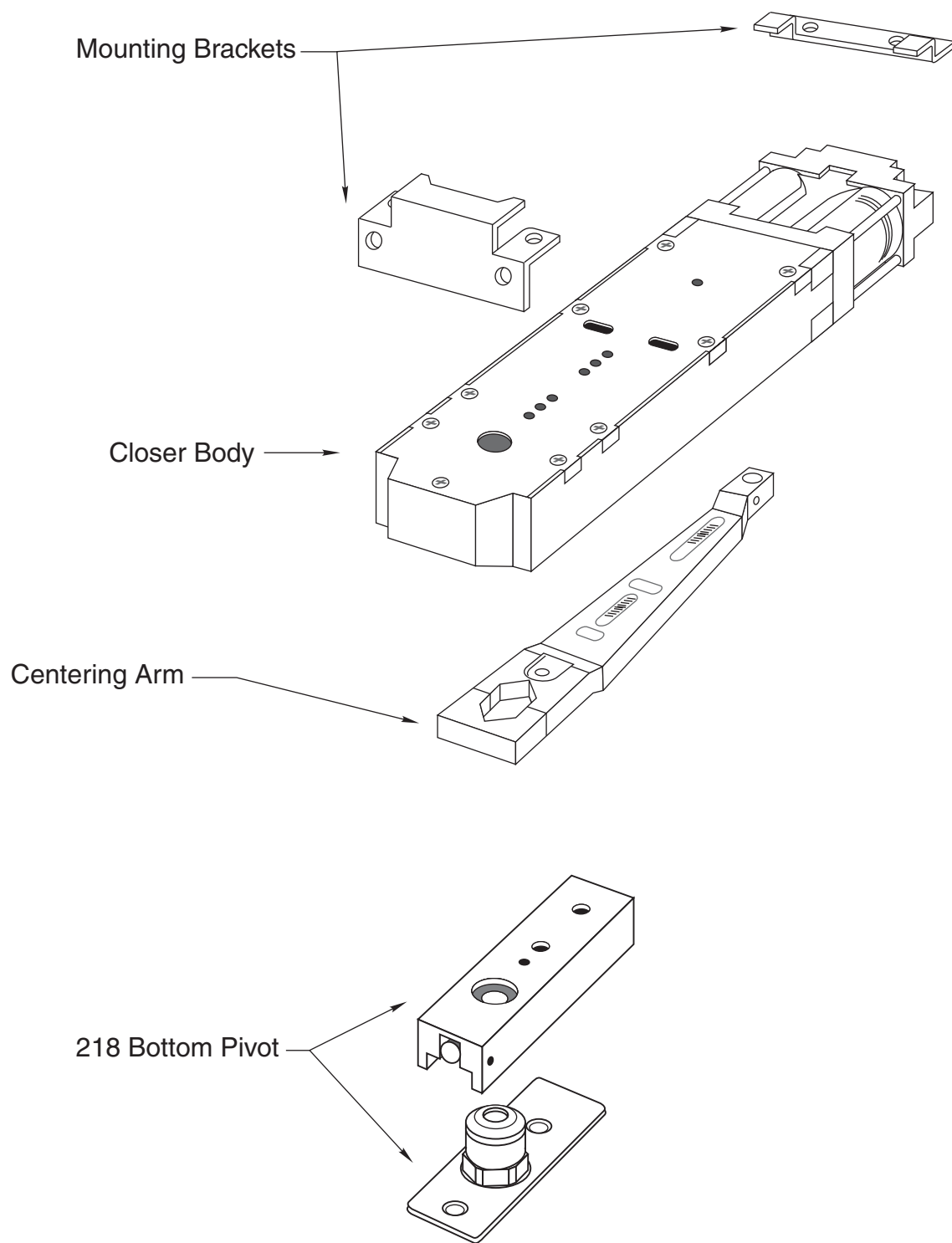


NOTES:

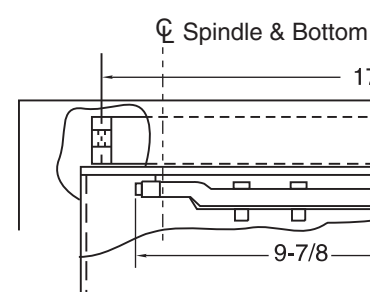
1. Do not scale drawing.
2. #163 Mounting Brackets included.
3. Single acting operation requires a door stop on top rail.
4. Use this template for aluminum frames on top rail.
5. If shim is required to maintain 7/8" (22.2mm) length of arm.
6. Door radius recommended is 2-5/8" (66.7mm).
7. All dimensions given in inches (mm).

ASSA ABLOY is the global leader in door opening solutions, dedicated to satisfying end-user needs for security, safety and convenience. Copyright © 2007, 2009, ASSA ABLOY Accessories and Door Controls Group, Inc. All rights reserved. Reproduction in whole or in part without the express written permission of ASSA ABLOY Accessories and Door Controls Group, Inc. is prohibited.

Included in package:



1. Install mounting brackets



2. Install bottom pivot floor plate
(see 218 instruction sheet)

3. Install main arm using (2) Phillips head arm screws and flat screwdriver to tighten arm or centering screw

4. Install door portion of bottom arm
(see 218 instruction sheet)

5. Install Door. Turn closing

- a. Using a suitable wedge, hold door closed OR hold open position
- b. Slide the door over the bottom of the door frame, resting on the bottom pivot, opening in the top of the spindle at the top
- c. Install arm clamp on door. Make sure it fits properly. Fasten with screws. **IMPORTANT:** Tighten screws securely while working