

180, H180, & F180 Top Pivots

1-1/2" Offset, Non-Handed

Installation Instructions

⚠ WARNING

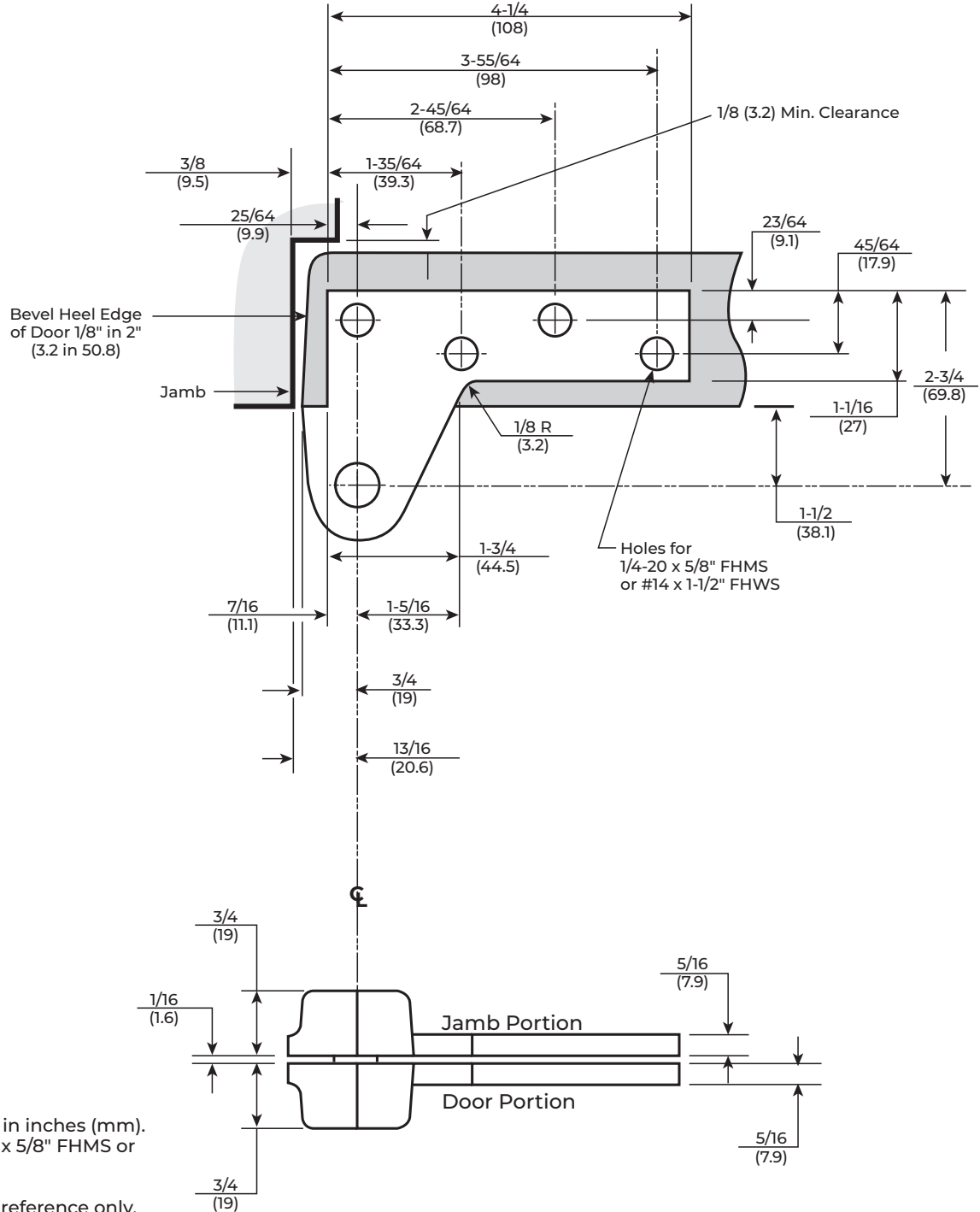
This product can expose you to lead which is known to the state of California to cause cancer and birth defects or other reproductive harm. For more information go to: www.P65warnings.ca.gov.

READ AND FOLLOW ALL INSTRUCTIONS.
SAVE THESE INSTRUCTIONS.

CAUTION

An incorrectly installed or improperly adjusted product can cause property damage or personal injury. These instructions should be followed to avoid the possibility of misapplication or misadjustment.

Template



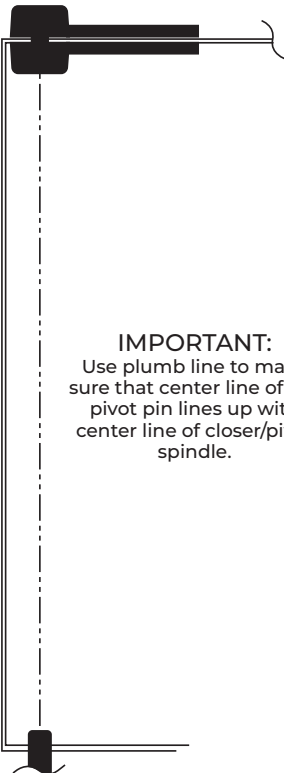
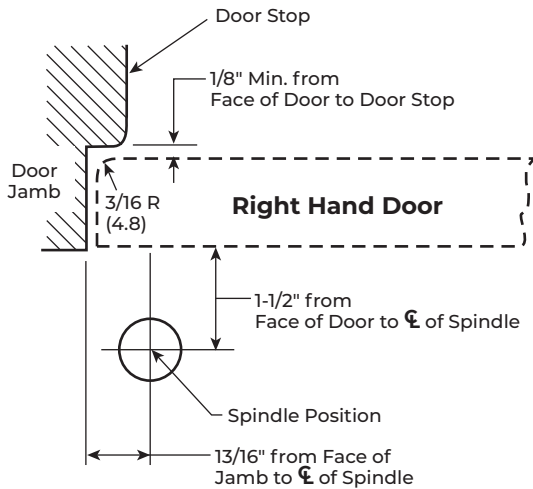
NOTES:

1. Do not scale drawing.
2. Dimensions are given in inches (mm).
3. Pivot drilled for 1/4-20 x 5/8" FHMS or #14 x 1-1/2" FHWS.
4. Right hand shown.
5. Template drawing for reference only.

The ASSA ABLOY Group is the global leader in access solutions. Every day we help people feel safe, secure and experience a more open world.

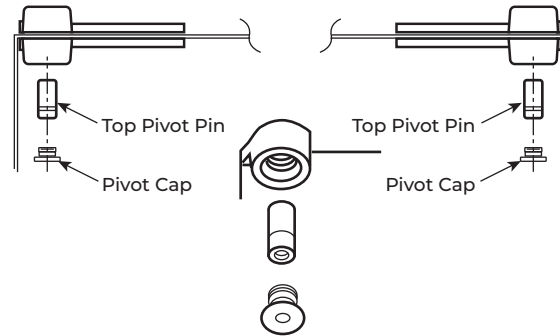
180/H180/F180 Top Pivot

Location:



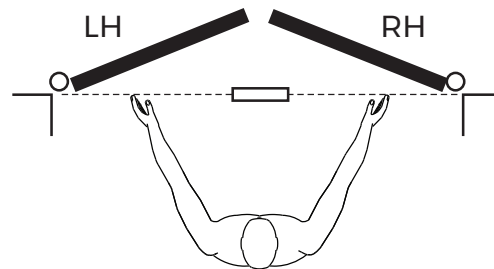
IMPORTANT:
Use plumb line to make sure that center line of top pivot pin lines up with center line of closer/pivot spindle.

Attachment:



1. Attach door leaf of top pivot to door.
2. Attach jamb leaf of top pivot to frame.
3. If side jamb pivot is used, see required template for instructions.
4. Push top pivot pin into place.
5. Attach pivot cap. CAP MUST BE TIGHTENED SECURELY.

Determining Hand of Door:



- Face a door swinging open away from you:
- If it opens to the right, it is right hand.
 - If it opens to the left, it is left hand.

Technical Product Support:
Monroe, NC 28112 USA
Phone: 877.974.2255 ext: 2
Techsupport.NortonRixson@assaabloy.com
NortonRixson.com

Norton Rixson is a brand associated with ASSA ABLOY Accessories and Door Controls Group, Inc., an ASSA ABLOY Group company.
Copyright © 2006, 2009, 2024, 2025, ASSA ABLOY Accessories and Door Controls Group, Inc. All rights reserved. Reproduction in whole or in part without the express written permission of ASSA ABLOY Accessories and Door Controls Group, Inc. is prohibited

Approved 2026-01-30