

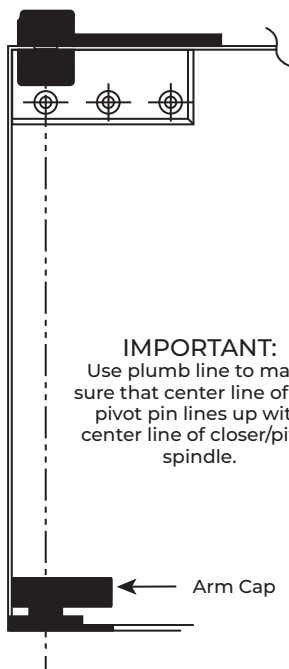
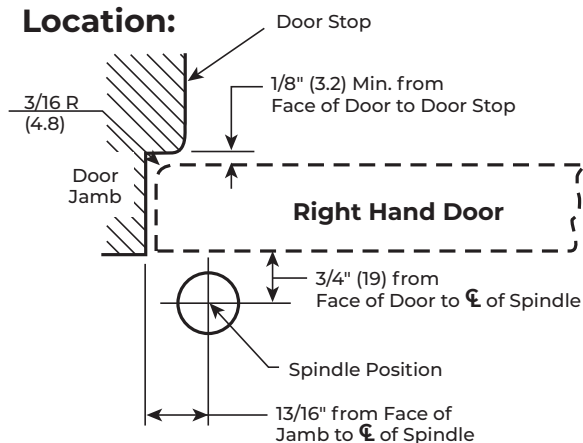
The ASSA ABLOY Group is the global leader in access solutions. Every day we help people feel safe, secure and experience a more open world.

280 Top Pivot

Install Pivot

1. Measure 13/16" (20.6mm) out from door jamb.
2. Allow 1/8" (3.2mm) min. clearance from door stop to door face. Measure door thickness. Add 3/4" (19mm). Where lines meet determines center line of closer/bottom pivot.
3. Install top pivot in door per template.
4. Install top pivot in frame per template.

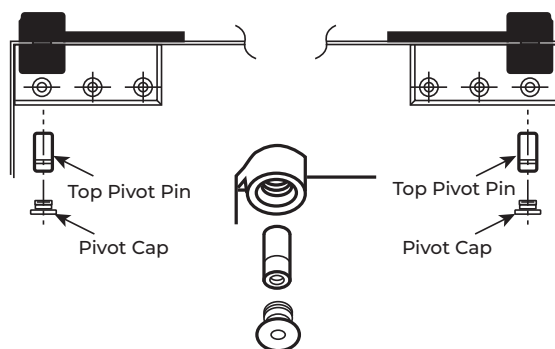
Location:



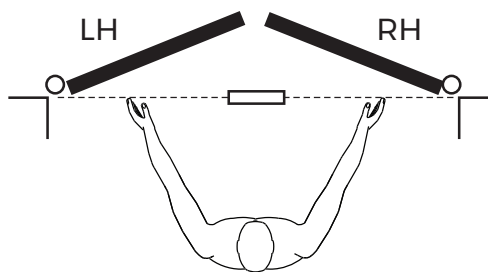
Hang Door

1. Set door on bottom pivot/closer spindle.
2. Push the top pivot pin into place. Attach the pivot cap. **CAP MUST BE TIGHTENED SECURELY**

Attachment:



Determining Hand of Door:



- Face a door swinging open away from you:
- If it opens to the right, it is right hand.
 - If it opens to the left, it is left hand.

Technical Product Support:
Monroe, NC 28112 USA
Phone: 877.974.2255 ext: 2
Techsupport.NortonRixson@assaabloy.com
NortonRixson.com

Norton Rixson is a brand associated with ASSA ABLOY Accessories and Door Controls Group, Inc., an ASSA ABLOY Group company.
Copyright © 2004, 2009, 2024, 2025, ASSA ABLOY Accessories and Door Controls Group, Inc. All rights reserved. Reproduction in whole or in part without the express written permission of ASSA ABLOY Accessories and Door Controls Group, Inc. is prohibited