

320 x 102 Top Pivot Center Hung, Non-Handed

Installation Instructions

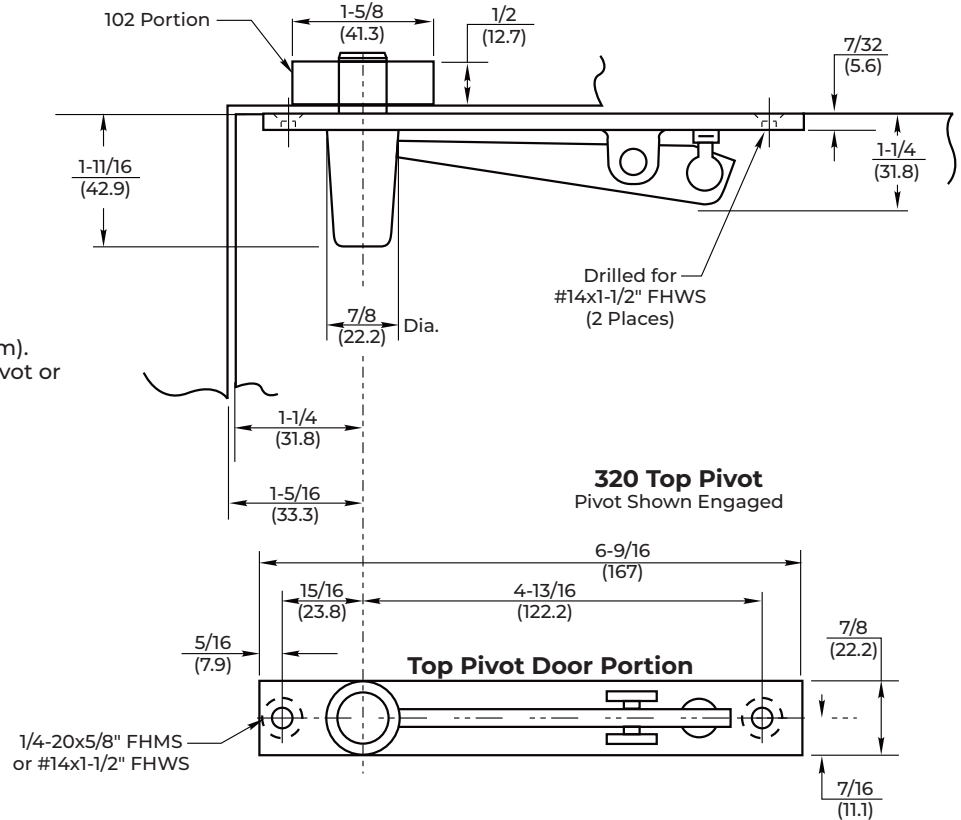
⚠ WARNING

This product can expose you to lead which is known to the state of California to cause cancer and birth defects or other reproductive harm. For more information go to: www.P65warnings.ca.gov.

CAUTION:

An incorrectly installed or improperly adjusted product can cause property damage or personal injury. These installation instructions should be followed to avoid the possibility of misapplication or misadjustment.

Template

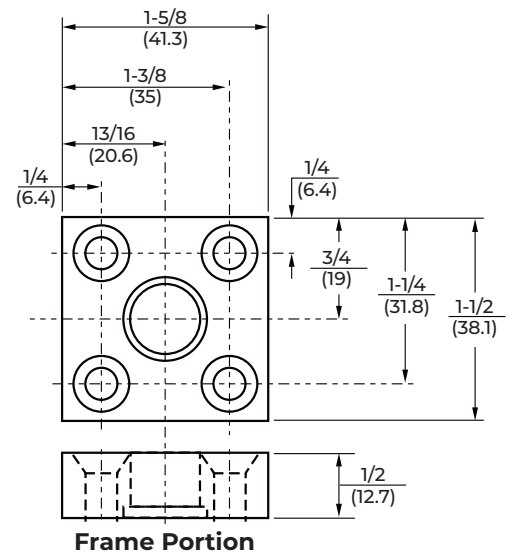


NOTES:

1. Do not scale drawing.
2. Dimensions are given in inches (mm).
3. Centerline may vary. See bottom pivot or floor closer for its centerline

Installation Instructions

1. Pivot point determined by bottom pivot or floor closer. Prepare door and frame per details shown.
2. To insure proper operation of door, the centerline of the top pivot pin must be straight and plumb with bottom spindle.
3. Install walking beam with pin retracted.
4. Install 102 portion.
5. Place door on bottom pivot and raise door to vertical position.
6. Engage top pivot pin by turning adjusting screw clockwise when door portion is in alignment with the jamb portion.



Technical Product Support:
Monroe, NC 28112 USA
Phone: 877.974.2255 ext: 2
Techsupport.NortonRixson@assaabloy.com
NortonRixson.com

Copyright © 1986, 2009, 2024, 2025, ASSA ABLOY Accessories and Door Controls Group, Inc. All rights reserved. Reproduction in whole or in part without the express written permission of ASSA ABLOY Accessories and Door Controls Group, Inc. is prohibited
IS-320x102 Rev 4 12/25

Approved 2026-01-30

Experience a safer
and more open world