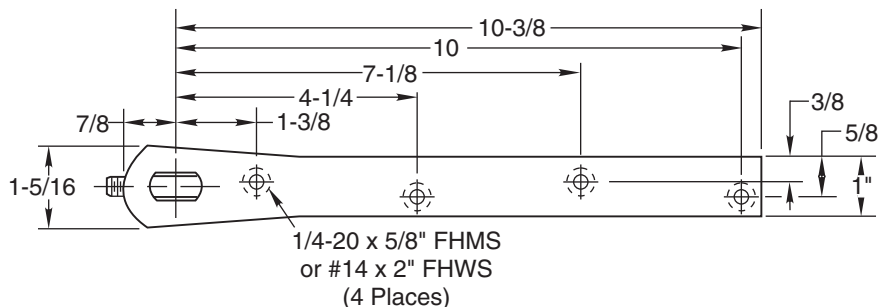
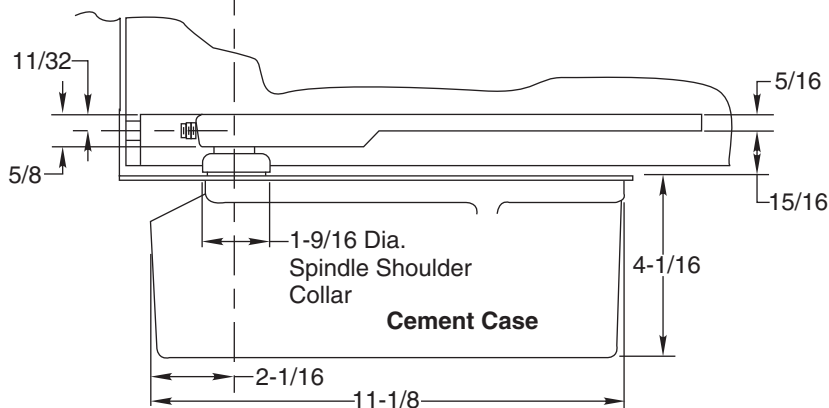
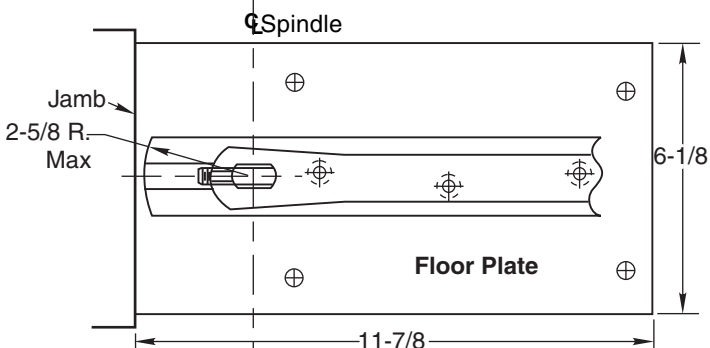
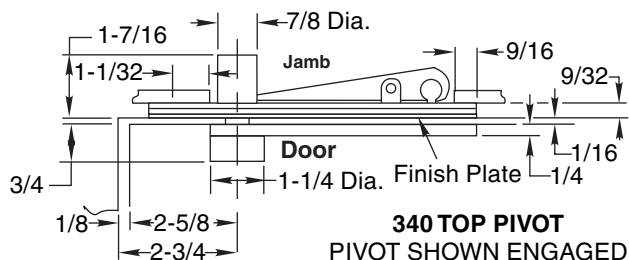


28 Floor Closer with 554 Arm

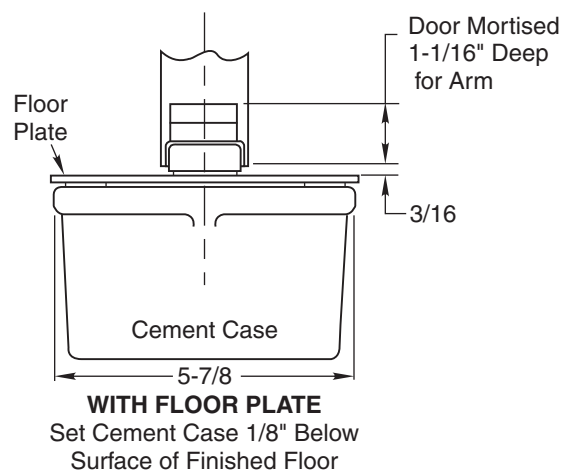
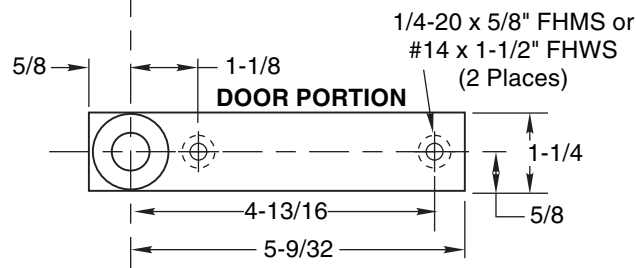
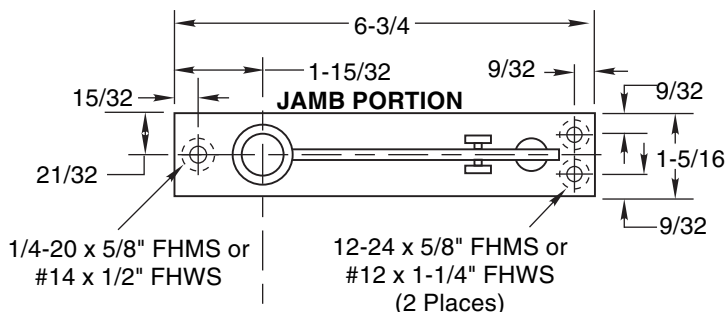
Center Hung, Single Acting - Handed
340 Top Pivot - Non Handed
Installation Instructions

! WARNING

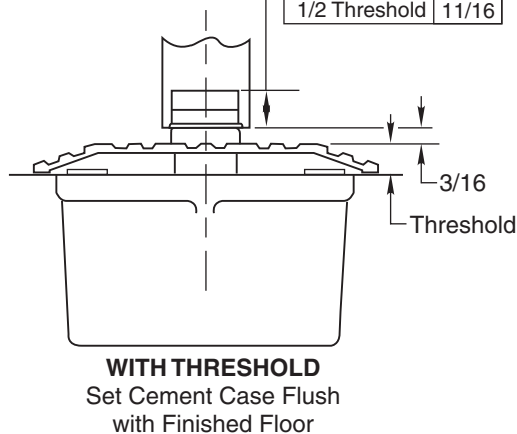
This product can expose you to lead which is known to the state of California to cause cancer and birth defects or other reproductive harm. For more information go to www.P65warnings.ca.gov.



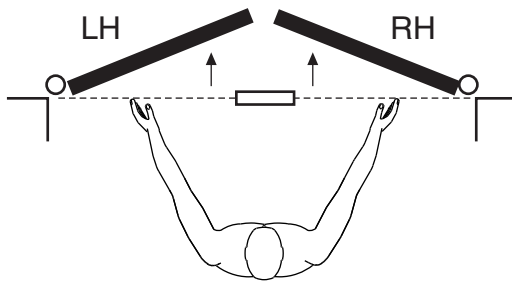
Conversion from inches to metric: inch x 25.4.
Suitable reinforcing by others.
Norton Rixson designed threshold available on request.



Door Mortised "A" Deep for Arm	"A"
1/4 Threshold	15/16
1/2 Threshold	11/16

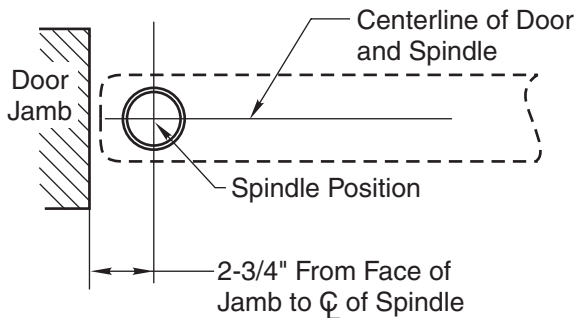


How To Determine Hand of Door

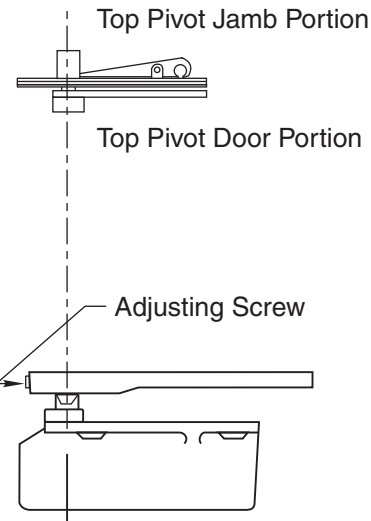


Face a door swinging open away from you. If it opens to the right, it is right hand. If it opens to the left, it is left hand.

1. Locating Closer



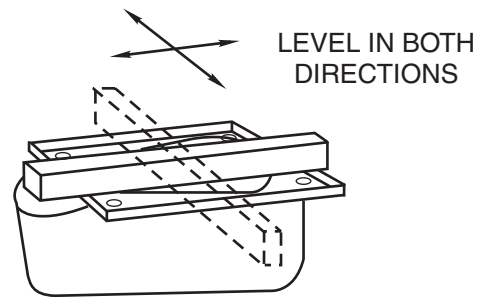
A. Measure 2-3/4" out from door jamb on centerline of door. This is the location of the spindle center.



IMPORTANT:

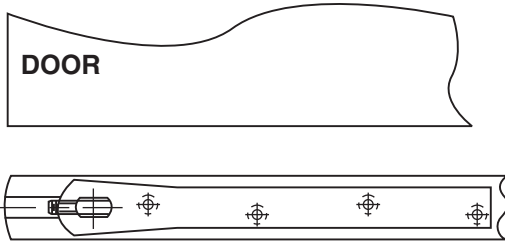
Use plumb line to make sure that center line of top pivot pin lines up with center line of closer spindle.

2. Install Cement Case in Floor



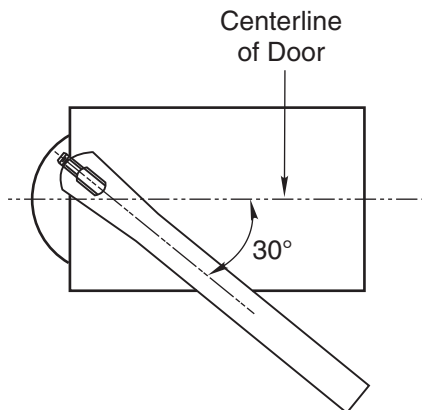
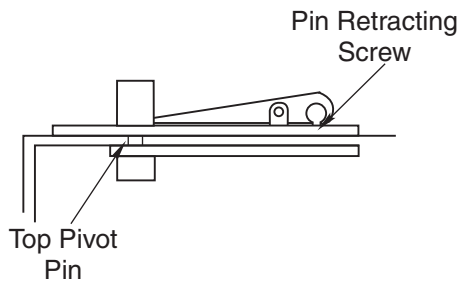
- A. For floor plate application: Cement case is set 1/8" (3.2mm) below floor level.
- B. For threshold application: Cement case is set flush with floor.
- C. Set cement case in floor and block in position.
- D. Case should be parallel with center line of door.
- E. CEMENT CASE SHOULD BE LEVEL. Place levels per illustration.
- F. Grout in cement case with closer. Cement should not get between closer and case.

3. Install Pivot and Closer Arm



- A. Install top pivot in door per template.
- B. Install top pivot in jamb per template.
- C. Centerline of pivot pin should line up with centerline of spindle. Use plumb line to assure accuracy.
- D. Mortise door for arm.
- E. Drill 1/2" hole at heel edge of door for locking screw.
- F. After mounting door, lock arm on spindle with 5/16"-18 x 3/4" long hex. socket set screw. Use 5/32" allen wrench provided to securely lock arm. A 1/2" dia. hole in heel edge of door must be provided for access to set screw.

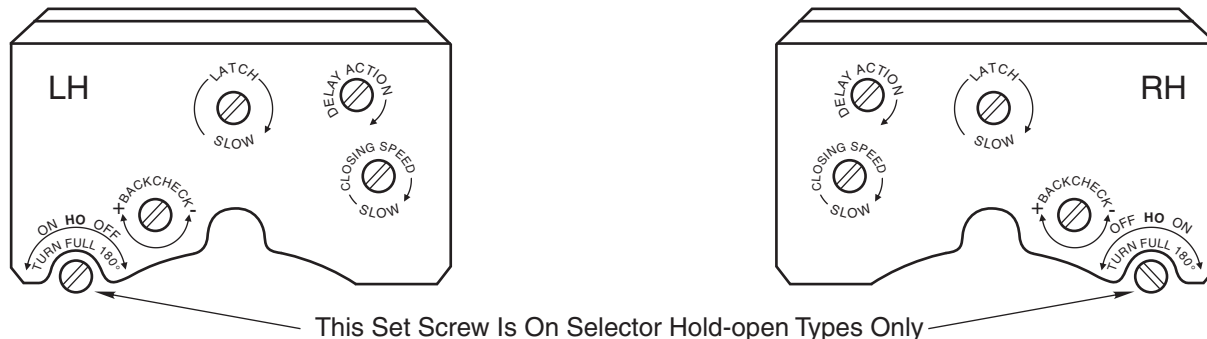
4. Hang Door



- CAUTION:** Closer is shipped with valve screws down. **DO NOT FORCE VALVES DOWN.**
- A. Retract Top Pivot Pin by turning Retracting Pin Screw counterclockwise. (see illustration)
 - B. Turn Spindle to 30° open position. (see illustration)
 - C. Set Door on Spindle. **DO NOT ATTEMPT TO CLOSE DOOR.**
 - D. Line up two portions of Top Pivot and turn Pin Retracting Screw clockwise.
 - E. Open Door to 60° or more and open "Closing Speed" and "Latch" Valves by turning screws counterclockwise. Door will then close.
 - F. Turn Lock Screw at bottom heel edge of Door to securely lock Arm to Spindle.

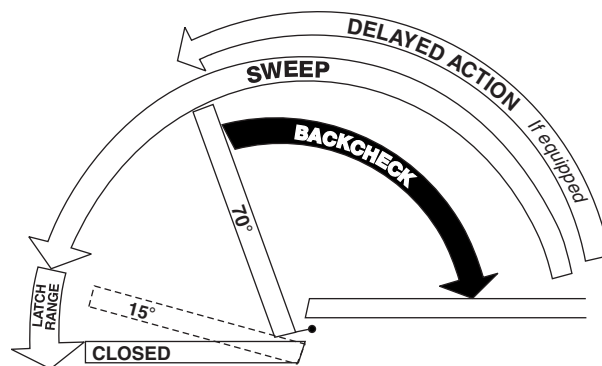
The ASSA ABLOY Group is the global leader in access solutions. Every day we help people feel safe, secure and experience a more open world.

Closer Adjustment



Closing speeds can be adjusted to suit local conditions and requirements. Label on closer face designates the purpose of each adjustment screw. Adjustments are for speed control.

- A. The Delay Action valve allows adjustment from full open to 65° closed position. (Optional)
- B. The Closing Speed valve allows adjustment from full open to 15° on units without the Delay Action feature.
- C. The Closing Speed valve allows adjustment from 65° to 15° closed position on closers with Delay Action feature.
- D. Latch valve allows adjustment from 15° to closed position.
- E. Important: Backcheck adjustment must be adjusted to vary resistance from light to firm at 60° of door open. Do not use Backcheck as deadstop. This is an intensity valve not speed control.



Closer Type

This closer is one of three types as follows:

1. Non hold-open factory set. No hold-open adjustments.
2. Automatic hold-open factory set. No hold-open adjustment.
3. Selective (on-off) hold-open label will indicate position of on-off selector screw. When turned “on”, closer has automatic hold-open: turned “off”, hold-open will not function. Turn full 180°.

Spring Power Adjustments

This closer can be adjusted for increased or decreased spring power.

These adjustments if required should be done by an authorized repair agency.

Repairs, parts replacement or internal adjustments must be done by a Norton Rixson authorized repair agency. Consult nortonrixson.com for an authorized repair agency in your area.

Technical Product Support:
 Monroe, NC 28112 USA
 Phone: 800.438.1951 ext: 6030
Techsupport.NortonRixson@assaabloy.com
NortonRixson.com