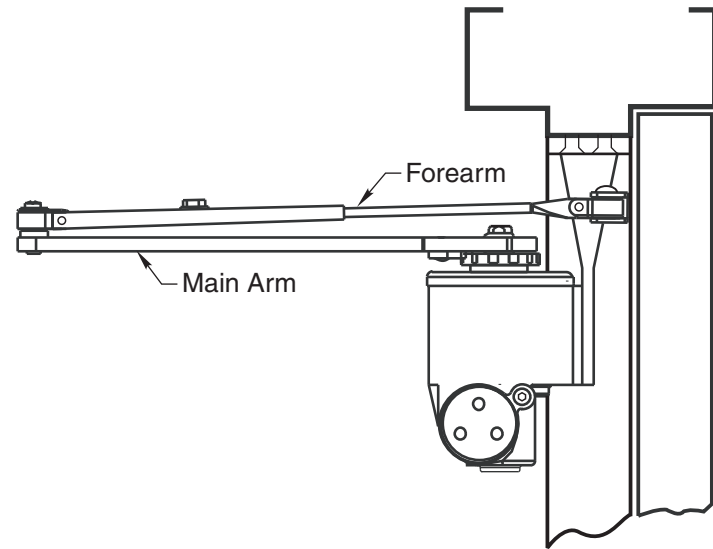
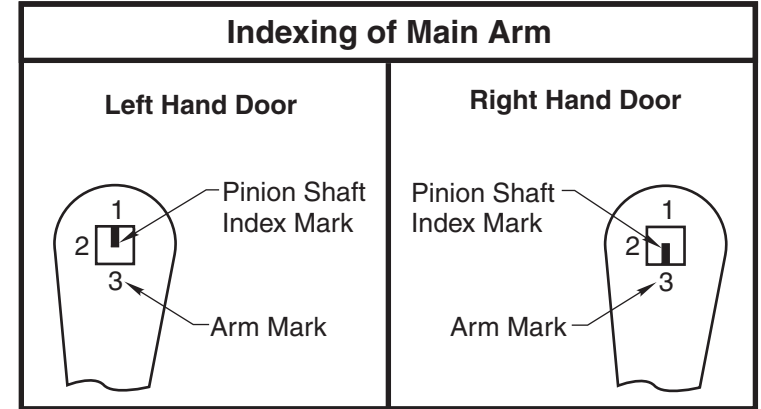
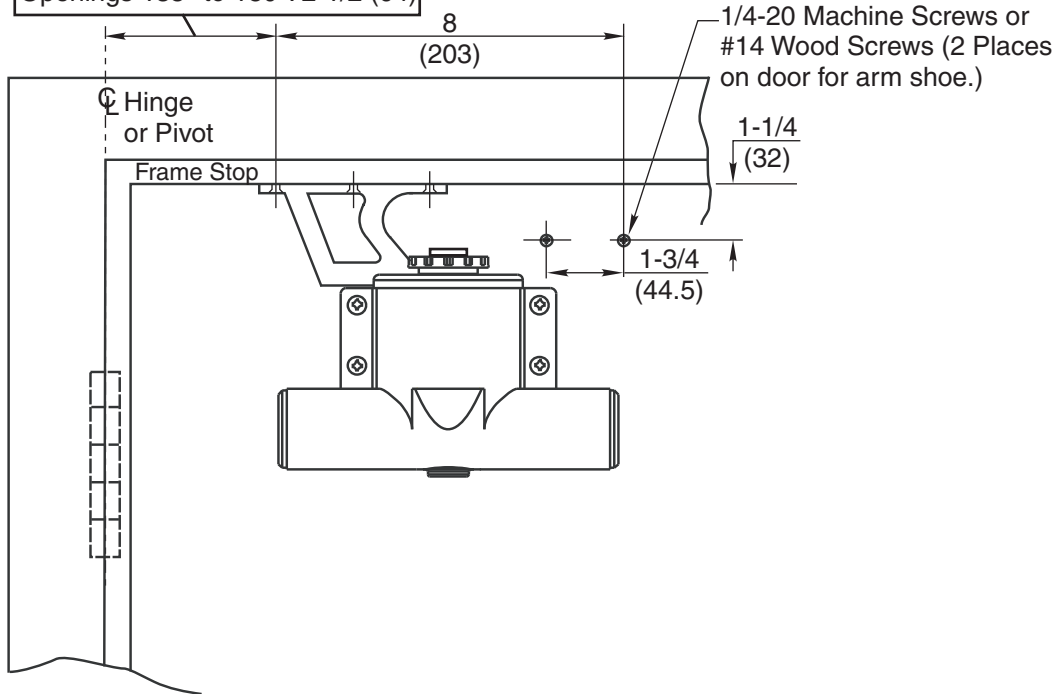


**Notes:**

- Do not scale drawing.
- Left hand door shown.
- Dimensions are in inches (mm).
- **When using Holder Arm:** Holder adjusting nut up for left hand door. Holder adjusting nut down for right hand door. Hand of closer must be opposite hand of door.

1/4-20 Machine Screws or #14 Wood Screws (6 Places on frame for bracket.)

Openings to 110°: 6" (153)  
 Openings 110° to 135°: 4" (102)  
 Openings 135° to 180°: 2-1/2" (64)



**Series 78-B/F-RA Door Closers with B/F-1 Soffit Bracket**  
**Soffit Bracket Installation**  
**Non-Hold Open or Hold Open**  
**Closer Sizes 78-B/D-RA or 78-E/F-RA**



ASSA ABLOY

[www.nortondoorcontrols.com](http://www.nortondoorcontrols.com)

TEMPLATE NUMBER

**7349-0142**

DATE

**01-09**