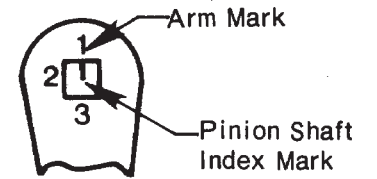


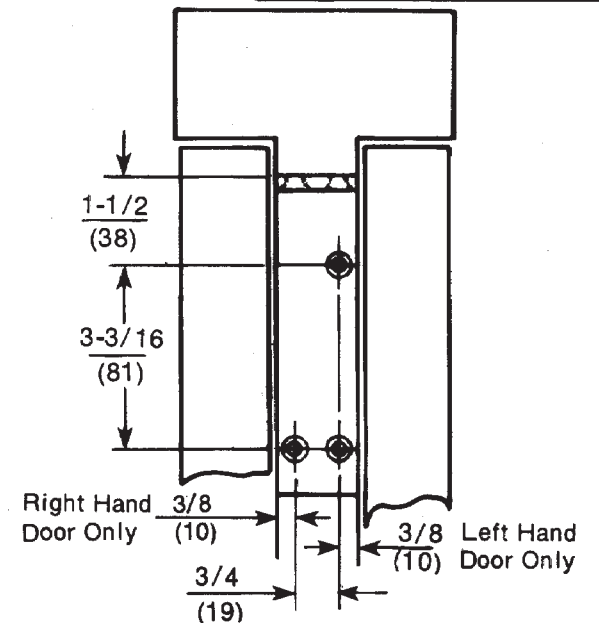
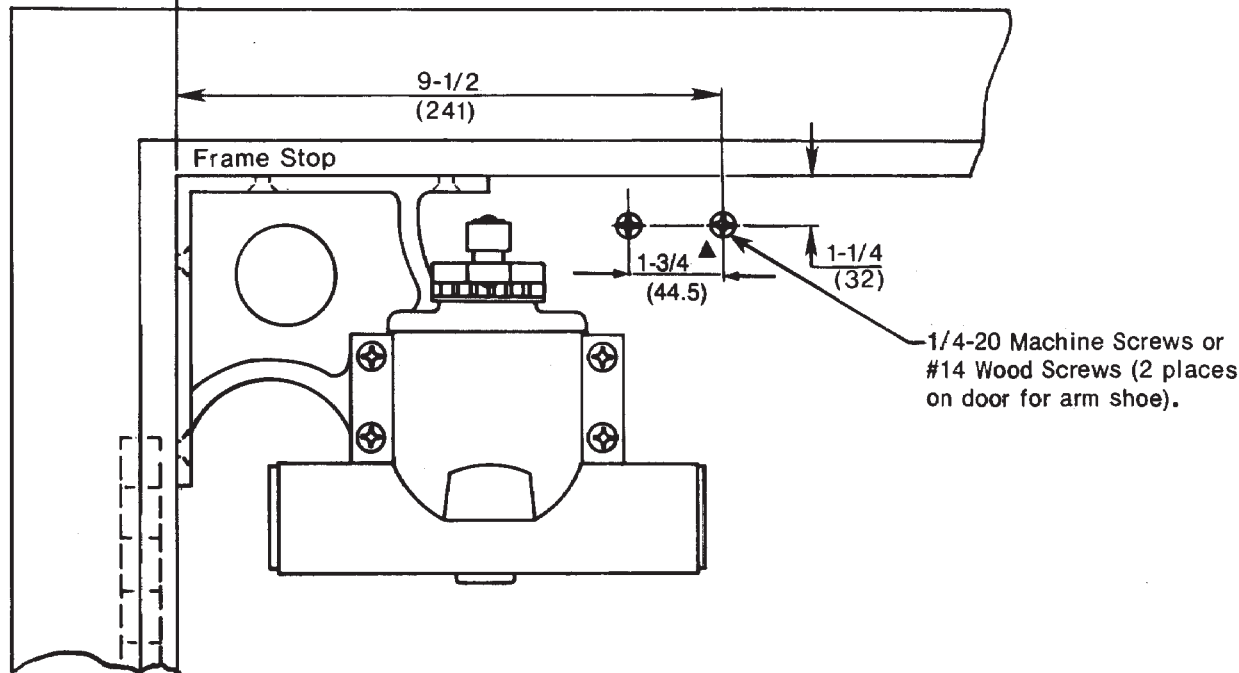
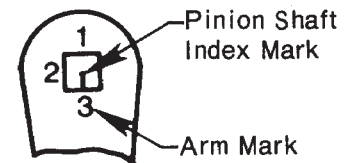
**NOTE: WHEN USING HOLDER ARM**  
 Holder Adjusting Nut Up for Left Hand Door. Holder Adjusting Nut Down for Right Hand Door.  
 Hand of Arm Must Be Opposite Hand of Door.

**Indexing of Main Arm**

**Left Hand Door**



**Right Hand Door**



This Template Covers Installations to 180°

Do Not Scale Drawing  
 Left Hand Door Shown

**Series 78-B/F-RA Door Closers with B/F-2 Corner Bracket**  
**Standard Drop Corner Bracket Installation**  
**Non Hold-Open or Hold-Open**  
**Closer Sizes 78-B/D-RA or 78-E/F-RA**



ASSA ABLOY

www.nortondoortcontrols.com

TEMPLATE NUMBER

**7349-0143**

DATE

**02-09**