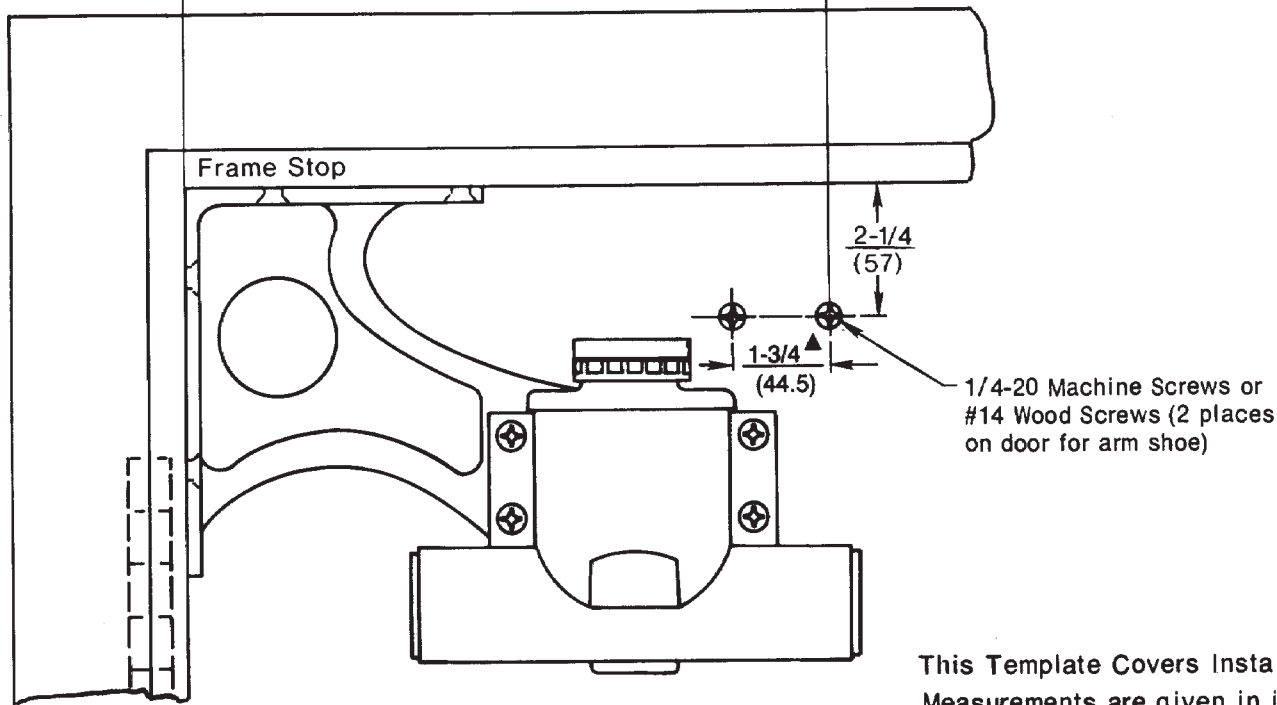
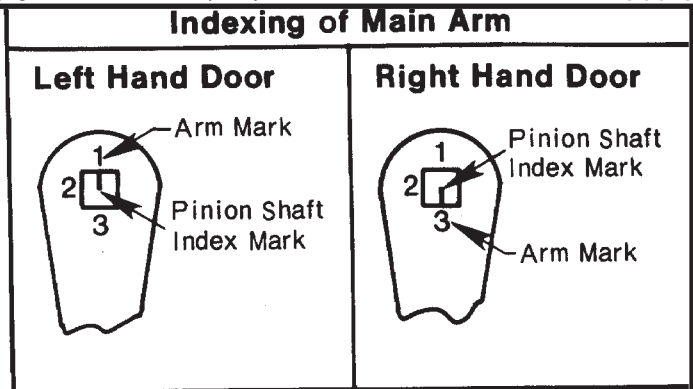
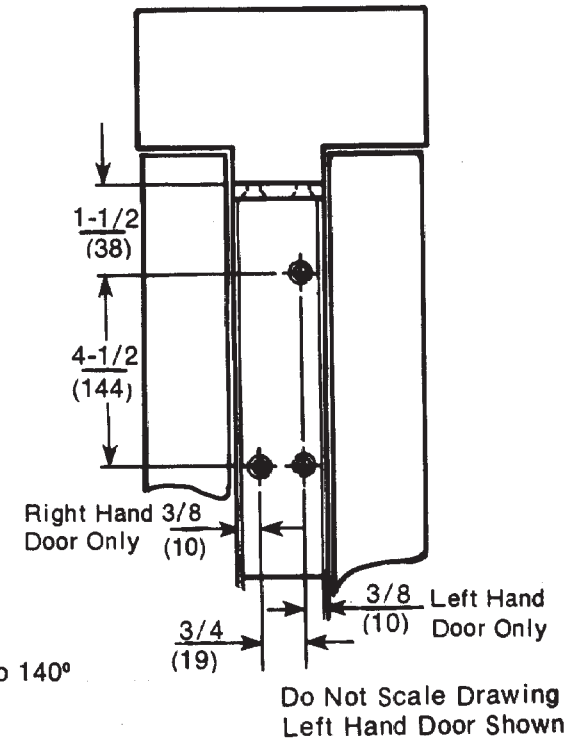


**NOTE: WHEN USING HOLDER ARM**  
 Holder Adjusting Nut Up for Left Hand Door. Holder Adjusting Nut Down for Right Hand Door.  
 Hand of Arm Must Be Opposite Hand of Door.



This Template Covers Installations to 140°  
 Measurements are given in  $\frac{\text{inches}}{\text{mm}}$



**Series 78-B/F-RA Door Closers with B/F-8 Combination Bracket  
 Combination Corner Bracket Installation  
 Non Hold-Open or Hold-Open  
 Closer Sizes 78-B/D-RA or 78-E/F-RA**



ASSA ABLOY

[www.nortondoorcontrols.com](http://www.nortondoorcontrols.com)

TEMPLATE NUMBER

**7349-0145**

DATE

**02-09**