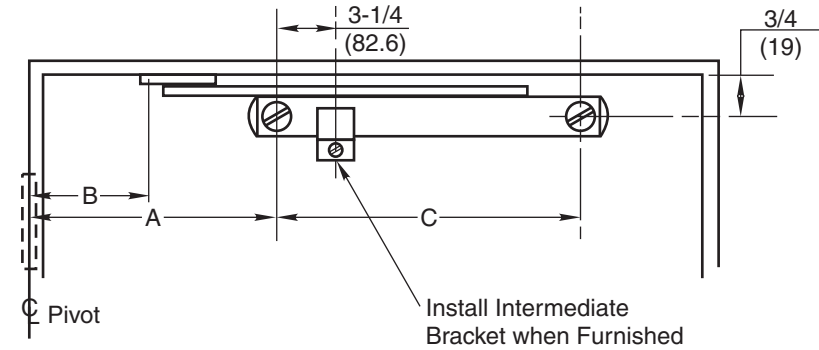
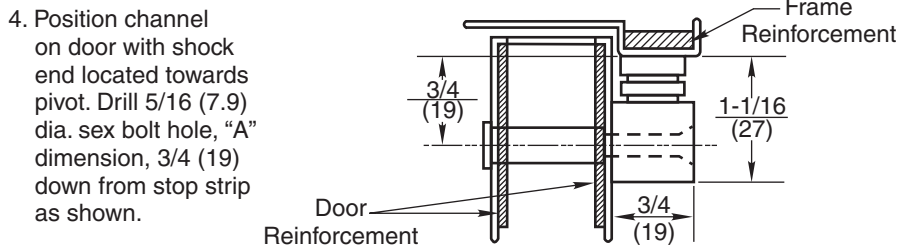
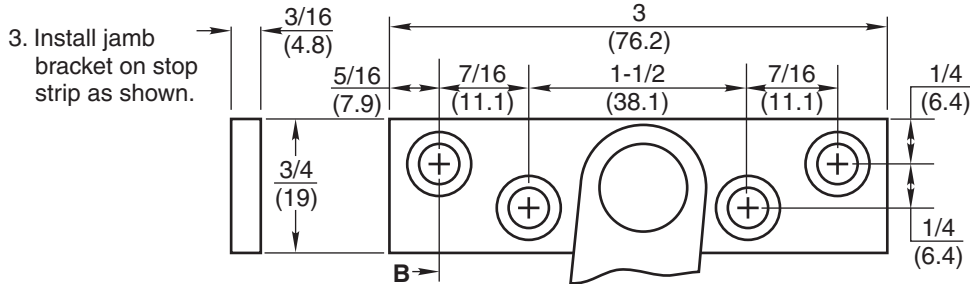


5. Install channel on door with "A" dimension sex bolt. Locate "C" dimension sex bolt hole making sure that channel is horizontal and parallel with stop strip. Drill 5/16 (7.9) dia. sex bolt hole and finish installing holder.



INSTALLATION INSTRUCTIONS

1. Select proper dimensions from chart on back side of page.
2. Locate "A" and "B" dimensions on door and frame.

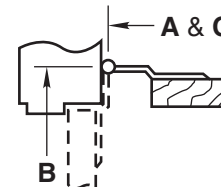


Notes:

- All hollow metal frames should be properly reinforced with 3/16" (4.8) min. thickness x 12" (304.8) min. length reinforcement plates.
- All hollow metal doors are to have minimum 3/16" (4.8) reinforcement plates.
- All drilling and tapping to be done by field men.
- Suggest mounting door stop or holder first and then other hardware to clear. Contact factory if interference results with other hardware.
- Jamb bracket to be on same centerline as channel.
- Intermediate bracket #12 x 3/4" FSMS.
- All dimensions are given in inches (mm).

Caution:

Note location of swing clear hinge centerline to determine "A" and "B" dimensions.



Screw Details

Jamb	Door
#12 x 1-1/2" FHWS or #12-24 x 1/2" FHMS (4 Places)	#12-24 x 1-1/2" FHMS and 5/16" Dia. Sex Bolt (2 Places)

**No. 10 Series
Surface Mounted
Door Stops and Holders**



TEMPLATE NUMBER	SHEET	REV	DATE
OH80065A	1 of 2	2	01/22

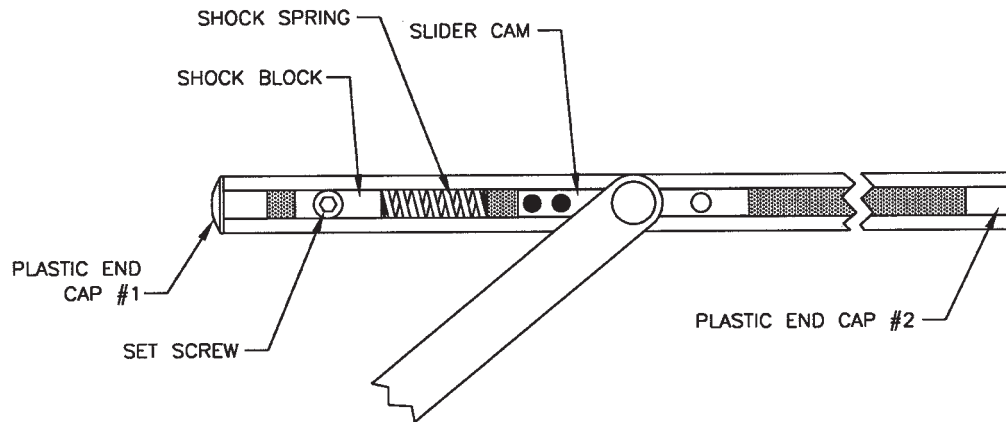
No. 10 Series Surface Mounted Door Stops and Holders

1. See other side for installation instructions.
2. Select proper dimensions noted below.
3. Add 5/8" to "A" dimension for dead stop.
4. All dimensions given in inches.

When Using Center Hung Pivots, Check Pivot Manufacturer's Compatibility Prior to Specifying

* Butt mounting only.
 Reversible, non-handed.

	Device Number				Door Opening	A	B	C
	Fric-tion	H.O.	Stop	Multi				
$1\frac{3}{4}$ - $2\frac{1}{4}$ Butts & $\frac{3}{4}$ Offset Pivot	10-116	10-126	10-136	10-146	*18-24	$1\frac{3}{16}$	$3\frac{9}{16}$	$14\frac{13}{16}$
	10-216	10-226	10-236	10-246	$24\frac{1}{16}$ - 30	$3\frac{3}{4}$	$4\frac{3}{16}$	16
	10-316	10-326	10-336	10-346	$30\frac{1}{16}$ - 36	$6\frac{9}{16}$	$5\frac{3}{8}$	$17\frac{3}{4}$
	10-416	10-426	10-436	10-446	$36\frac{1}{16}$ - 42	$9\frac{13}{16}$	$7\frac{1}{16}$	$20\frac{3}{16}$
	10-516	10-526	10-536	10-546	$42\frac{1}{16}$ - 48	$13\frac{3}{4}$	$8\frac{5}{16}$	22
Center Hung	Device Number				Door Opening	A	B	C
	Fric-tion	H.O.	Stop	Multi				
	10-116	10-126	10-136	10-146	21 - $26\frac{1}{2}$	$1\frac{5}{8}$	4	$14\frac{13}{16}$
	10-216	10-226	10-236	10-246	$26\frac{9}{16}$ - 32	$4\frac{7}{16}$	$4\frac{7}{8}$	16
	10-316	10-326	10-336	10-346	$32\frac{1}{16}$ - 38	$7\frac{3}{16}$	6	$17\frac{3}{4}$
	10-416	10-426	10-436	10-446	$38\frac{1}{16}$ - 45	$10\frac{3}{8}$	$7\frac{5}{8}$	$20\frac{3}{16}$
10-516	10-526	10-536	10-546	$45\frac{1}{16}$ - 48	$14\frac{5}{16}$	$8\frac{7}{8}$	22	



TO SELECT DEGREE OF STOP

1. With a 3/16 hex key wrench, loosen the set screw in the shock block.
2. Open door to desired degree of opening.
3. Slide shock block and spring until the spring touches slider cam.
4. Tighten set screw.
5. Verify door opening position and re-adjust, as needed.

**No. 10 Series
 Surface Mounted
 Door Stops and Holders**



TEMPLATE NUMBER	SHEET	REV	DATE
OH80065B	2 of 2	2	01/22