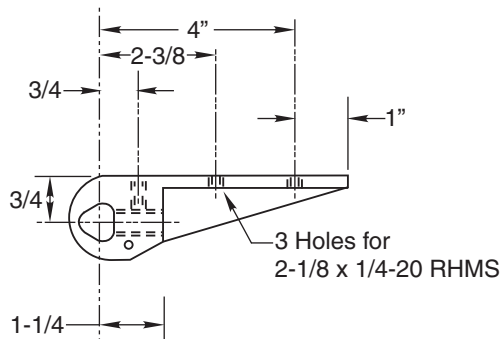


WITH THRESHOLD
 Set Cement Case Flush with Finished Floor

WITH FLOOR PLATE
 Set Cement Case Flush with Finished Floor



Notes:

1. Do not scale drawing.
2. All dimensions given in inches.
3. Right Hand Shown.
4. Norton Rixson design thresholds available on request.
5. Do not remove grind plate until closer is installed.
6. No built-in dead stop. External stop required, by others.

**HM51 Floor Closer
 3/4" Offset
 For Use on 1-3/4" Doors Only**



ASSA ABLOY

TEMPLATE NUMBER	REV	DATE
OS10210	3	12/21