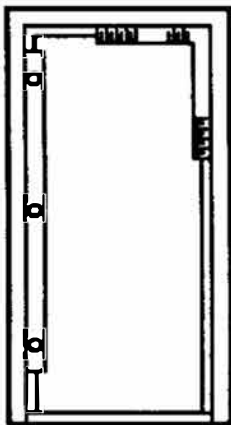


## STORMPRO® SHUTTER FRAME INSTALLATION (ICC 500-2014) FOR MASONRY WALL CONDITIONS:

THE THROAT OF THE FRAME JAMBS MUST BE FULLY GROUTED WITH MIN. 1800 PSI GROUT WHEN INSTALLING WITH WIRE OR MASONRY "T" ANCHORS.

**JOBSITE STORAGE:** Store frames off the ground on at least 4" high wood runners or skids, in a manner that will prevent rust or damage. Do not store directly on the ground. Frames shall be stored vertically. Cover frames with tarpaulin or plastic but do insure that adequate ventilation is provided to eliminate moisture condensation. When frames are to be fully grouted, and especially when mortar contains "anti-freezing" agents, the inside of the frame should be coated with a corrosion resistant material by the installation contractor. Silencers/Mutes must be installed prior to grouting.

### PLUMBING of FRAME

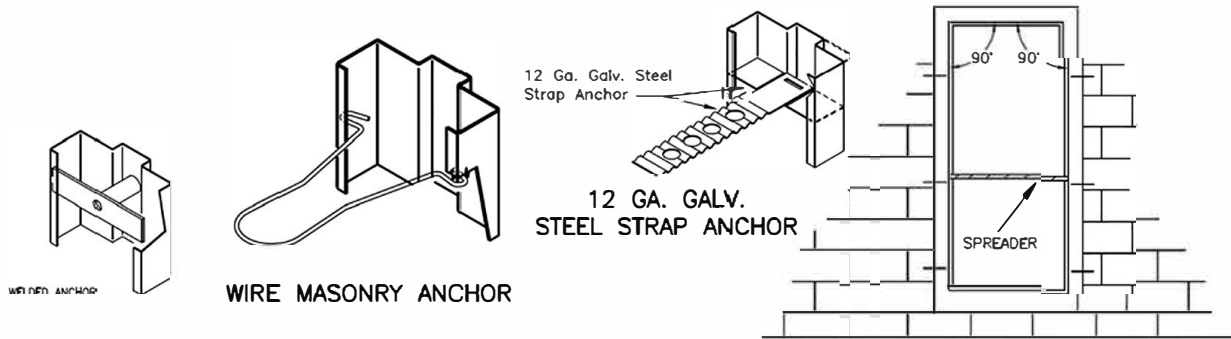


The installer should use wood spreaders (as described at right), a carpenter's level (the longer the better), and a carpenter's square (the bigger the better). Set the frame in the desired location. Level head and sill. Plumb jambs. Shim under sill if necessary.

Typical wood spreaders must be square and made from lumber at least 1" thick. Length of spreader equals door opening width at the head. Cut clearance notches for frame stops as shown. Spreader must be nearly as wide as frame depth for proper installation.

# ASSA ABLOY

## STORMPRO® SHUTTER FRAME INSTALLATION INSTRUCTIONS FOR MASONRY WALL



*NOTE: Frame is setup and welded.*

Brace the frame.

### PLUMB AND SQUARE JAMBS.

When installing wire or masonry "T" jamb anchors, install a piece of tie wire around the frame, just below center of vertical opening height. Twist tie wire tight as this creates inward tension. The tension will hold a spreader in place. Spreader should be located just above the tie wire.

Continue checking for plumb and square. Install jamb anchors at locations shown below.

Fully grout frame throat with min. 1800 PSI grout. Lightly tap jamb so mortar can settle. Continually check plumb and square as wall progresses. (Existing Opening jamb anchors do not require frame to be grouted.)

**CHECK:** The difference between diagonals measured from opposite corners as they should not exceed 1/16".

Clear any mortar out of hinge pockets, strike reinforcements and other mortised hardware preparations.

## FOR ASSEMBLIES TESTED TO ICC 500-2014

### FRAME HEAD ANCHORS:

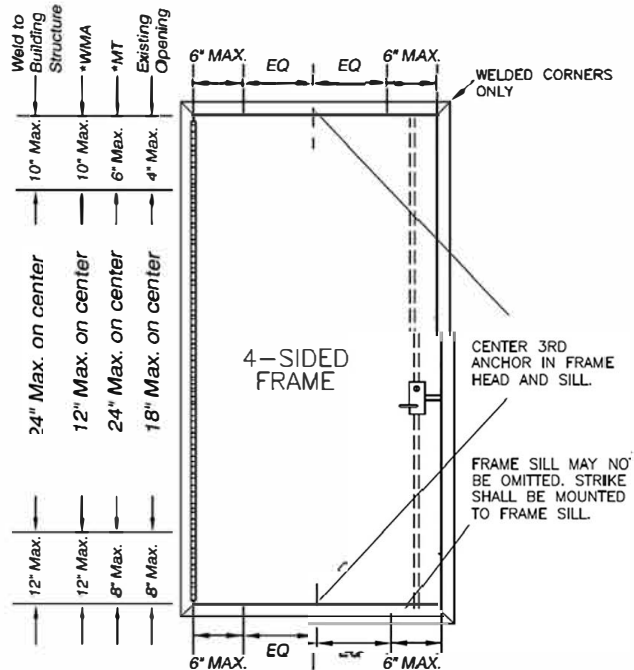
EXISTING OPENING DIMPLES W/ BOLTS, SCREWS OR WELD TO BUILDING STRUCTURE

3 ANCHORS PER HEAD 3'6" THRU 4'0".

### SILL ANCHORS:

EXISTING OPENING DIMPLES W/ BOLTS, SCREWS OR WELD TO BUILDING STRUCTURE

3 ANCHORS PER SILL 3'6" THRU 4'0".



NOTE: REFER TO [WWW.CECODOOR.COM](http://WWW.CECODOOR.COM)  
STORMPRO FRAME EXISTING OPENING INSTALLATION INSTRUCTIONS WHEN  
FRAME HEAD, SILL, AND/OR JAMBS ARE PREPARED FOR ANCHOR BOLTS.

NOTE: REFER TO [WWW.CECODOOR.COM](http://WWW.CECODOOR.COM)  
STORMPRO FRAME WELD TO BUILDING STRUCTURE INSTALLATION INSTRUCTION ANCHOR  
SUBMITTAL SHEET FOR SINGLE OPENINGS WHEN FRAME WILL BE WELDED TO BUILDING STRUCTURE.