

LeetDesk

Electrically Height-adjustable Gaming Desk



Assembly & Instruction manual

Table of Contents

GENERAL NOTES AND LIABILITIES -----	2
ABOUT THIS MANUAL -----	2
PROPER USAGE OF THE DESK -----	2
MANUFACTURER LIABILITY -----	2
IMPORTANT SAFETY NOTES -----	3
ELECTRICITY WARNING -----	4
SAFETY PRECAUTIONS -----	5
ASSEMBLY -----	6
PREPARATION -----	6
REQUIRED TOOLS -----	7
DESK PARTS -----	7
STEP-BY-STEP ASSEMBLY -----	8
HOW TO USE YOUR LEETDESK -----	16
FIRST USE -----	16
FACTORY RESET -----	16
GENERAL USAGE -----	17
ANTI-COLLISION DETECTION -----	17
TECHNICAL SPECIFICATIONS -----	18
TROUBLESHOOTING -----	18

General notes and liabilities

About this manual

Please read this manual carefully and keep it for future reference. This manual contains information for a safe and proper usage of your LeetDesk. Should you have any questions, please contact us at info@leetdesk.com.

Proper usage of the desk

LeetDesk is only meant to be used as an electrically height-adjustable desk in closed rooms. Any other, non-appropriate usage is done under the user's own risk.

Do not let unsupervised children use the desk. Despite having a built-in anti-collision system, there is still a risk of injuries. The manufacturer shall not be liable for damages caused by inappropriate usage of the desk.

Manufacturer liability

The manufacturer will not be made liable for any damages or injuries to people, animals or property caused by improper usage, neglecting this manual's instructions, the user's negligence, inadequate maintenance, faulty assembly or if any modifications to the desk are done by the user.

Important safety notes

Ensure at all times that the area surrounding the desk is clear of persons, animals and objects in order to avoid any damage to them or the desk.

Before using the desk, make sure there are no objects or obstacles blocking your LeetDesk. Also make sure LeetDesk is not touching any walls/objects and all cables from your PC and your peripherals (e.g. mouse, keyboard) have the appropriate length to accommodate the height-adjustability of the desk.

Do not stand, sit or lie on the desk! Do not crawl, sit or lie under the desk when in use! Only place the desk on even grounds and floors!

LeetDesk is able to hold up to 80kg. For your own safety, we advise you to place no more than 80kg (weight of PC and PC holder included) of weight on the desk. Also ensure to place the weight as evenly as possible on the desk. LeetDesk is not designed to lift people nor heavy weights.

Make sure to not get your hands stuck in the table legs of the desk. Do not touch the table legs while the table is moving! Make sure to clear the table legs of any objects during operation in order to avoid damaging the objects.

Do not put objects higher than 50cm under the table. All objects such as walls and furniture should be at least 3 cm away from the desk.

Electricity warning

Any electrical components of the desk are not to be exposed to water or any other liquids.

Do not twist, bend, squeeze or strain the cables of the desk as this will lead to damaging your desk or to an electric shock.

Keep children away from the desk, especially the electrical components such as power cable, control box and handset.

Only connect the desk to the power after it has been fully and properly assembled. Make sure the power cable is inserted correctly into the power outlet before usage.

Do not under any circumstances open any of the electrical components (table legs, control box, handset, motors) as this could lead to an electric shock which may result in serious injuries or even death.

LeetDesk is made for a work cycle of 10% (2 minutes of movement, 18 minutes stationary). Do not overwork the electrically height- adjustable desk, it will only take exactly 20 seconds to move it from the lowest to the highest position.

If the handset displays "HOT", stop the movement of the table immediately for at least 18 minutes.

In case of a power outage, you will have to manually reset your table. In this case, please refer to the section "Factory Reset".

Safety Precautions

In case of unusual occurrences, such as smoke or loud noises, immediately cease operation of the desk and unplug it from the power outlet.

Should the desk move in an unusual, non-intended way, unplug the desk from the power outlet and get it checked by a professional.

Repairs are only to be made by professionals and with original replacement parts.

We suggest cleaning the table with a slightly damp microfiber cloth. Make sure that you do not expose any electrical components to liquid.

LeetDesk has been tested by our high standards as well as common safety regulations. However, there is always a slight risk of damage to persons, animals and objects or to the desk. Therefore there is always a risk of injury if used improperly.

Only use your LeetDesk when it is in a flawless condition so that you are not exposed to any dangers.

Assembly

Before starting to assemble the desk, please make sure that all your components in the box are present and undamaged. In the unlikely event that a part is missing or even damaged, please contact us at info@leetdesk.com.

Preparation

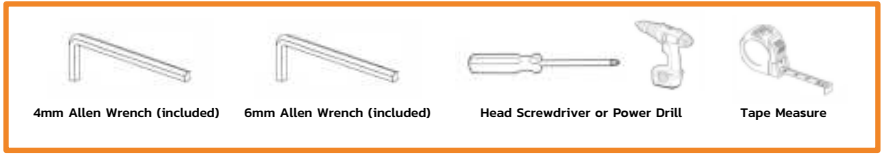
Only attempt to assemble the desk with at least two persons. All persons assembling the desk have to read this instruction manual. Do not let children assemble the desk.

We advise you to place a protective mat or carpet under the desk before assembly in order to avoid scratching and damaging your floor or the desk.

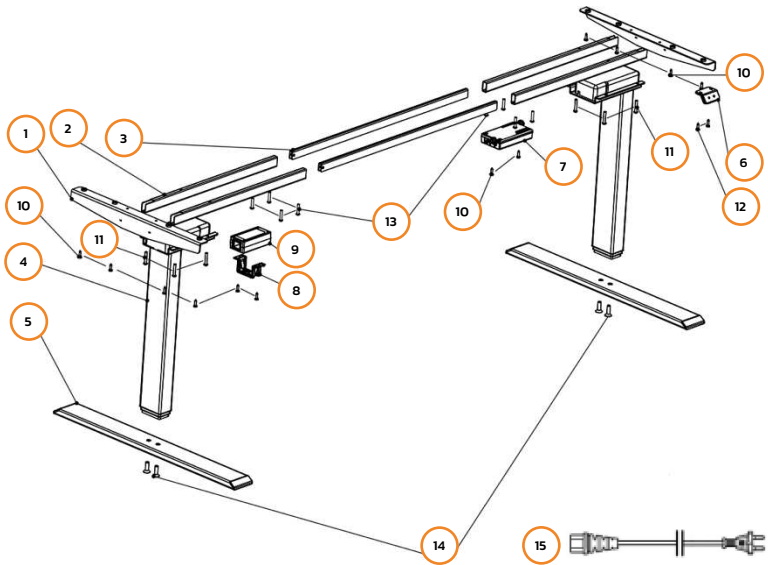
Before first use of the desk, please make sure you have:

1. Properly assembled the desk.
2. Read and understood all warnings stated in this manual.
3. Properly connected all the cables (power cable, handset cable, table leg cables).
4. Done a factory reset of the desk.

Required Tools



Desk Parts



Part	Quantity	Part	Quantity	Part	Quantity
1 Side Bracket	2	6 Handset	1	11 M6x35 Machine Screw (blue)	8
2 Frame	4	7 Control Box	1	12 ST5x16 Wood Screw	2
3 Center Rail	2	8 Adapter Buckle	1	13 M6x30 Machine Screw	8
4 Table Leg	2	9 Adapter	1	14 M10x30 Head Screw	4
5 Foot	2	10 ST5x20 Wood Screw	12	15 Power Cord	1

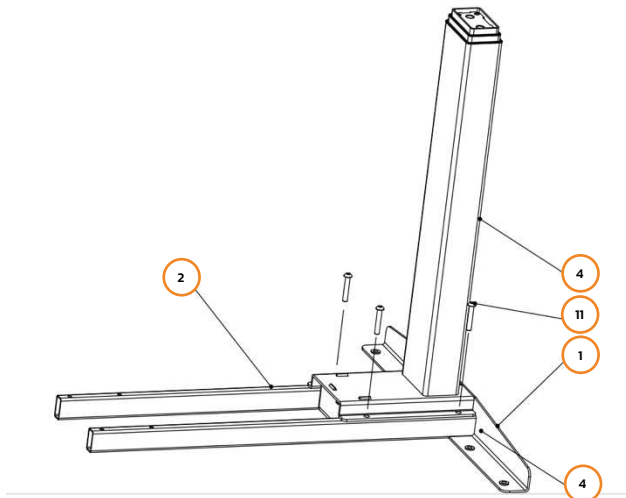
Step-by-step assembly

Before assembling your desk, make sure that all the previously listed components are present.

Step 1

Align the holes of the side bracket (1), the frame (2) and the table leg (4).

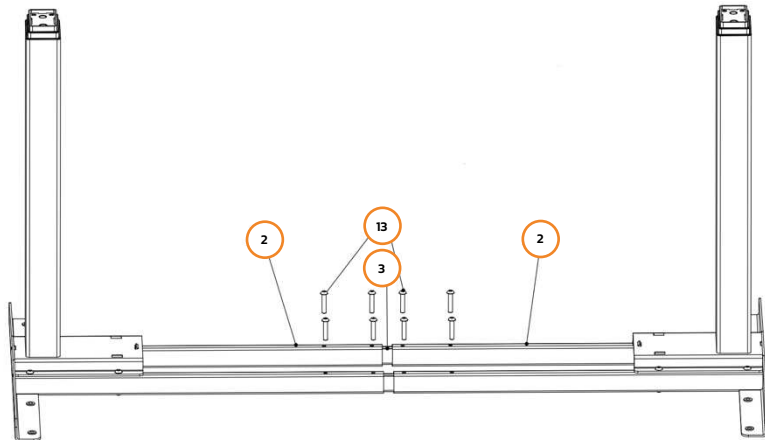
Then put the M6×35 machine screw with round head (marked with the blue dot) (11) into the holes and tighten the screws with a 4mm hexagon wrench. Repeat the process on the other side of the desk.



Step 2

Insert the center rail (3) into the frame (2) on both sides, and adjust the appropriate position (note: the word "MAX" on the center rail must not be completely exposed).

Then put the M6x30 machine screw with the round head (13) into the position as shown in the figure and tighten it with a 4mm hexagon wrench.



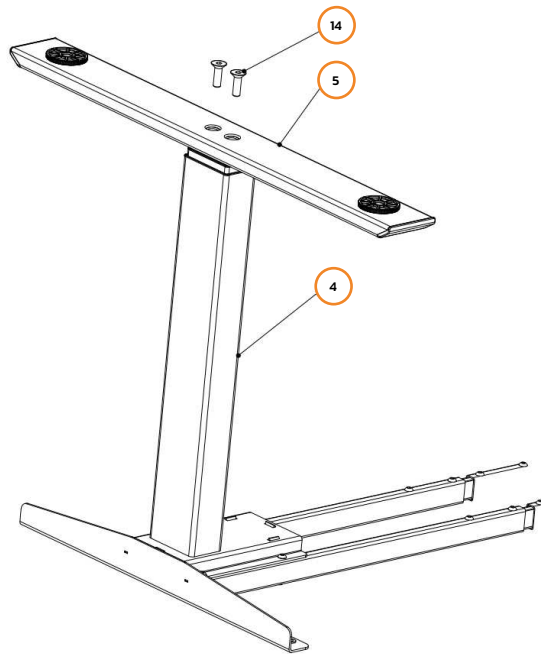
If the adjustment of the width is a bit difficult, move the middle rail around several times to achieve a better smoothness.

If you drop a screw inside the frame end, simply tilt it to retrieve the screw.

Step 3

Align the holes on the foot (5) with the holes on the table leg (4).

Put the M10×30 countersunk head machine screws (14) into the foot, and tighten the screws with a 6mm hexagon wrench.



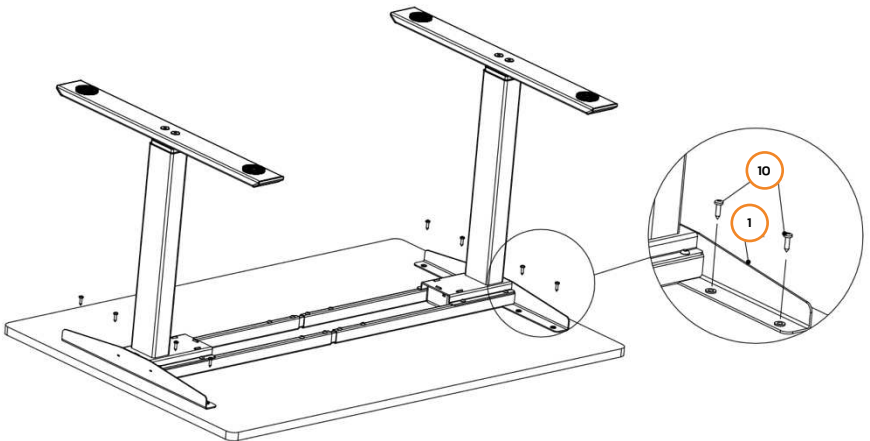
If one of the rubber rings falls out during this process, simply put them back in.

Step 4

Information: All our LeetDesk models will already have pre-drilled holes in the tabletop for you to align your table frame with.

Put the table frame on the tabletop and adjust the position of the table frame to match the position of the pre-drilled holes.

Put the ST5×20 wood screws (10) into the corresponding holes on the side bracket (1) and fix them with a screwdriver.



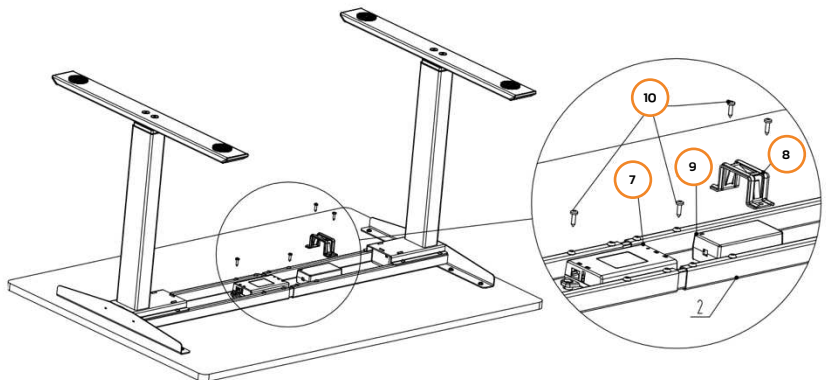
Step 5

Adjust the position of the control box (7) and the adapter (9) with the pre-drilled holes in the tabletop.

Fix the ST5×20 wood screws (10) into the holes on both sides of the control box (7).

Put the adapter buckle (8) on the adapter (9), and fix the ST5×20 wood screws (10) into the holes on both sides of the adapter buckle (8). Plug the motor wire of the table leg into the control box (7).

Plug the wire of the adapter into the control box.



Cable Management: If you have ordered our cable management rail, align the holes of the rail with the 4 pre-drilled holes and use the wood screws included in the package.

PC Holder: If you have ordered our PC Holder, please refer to the separate PDF.

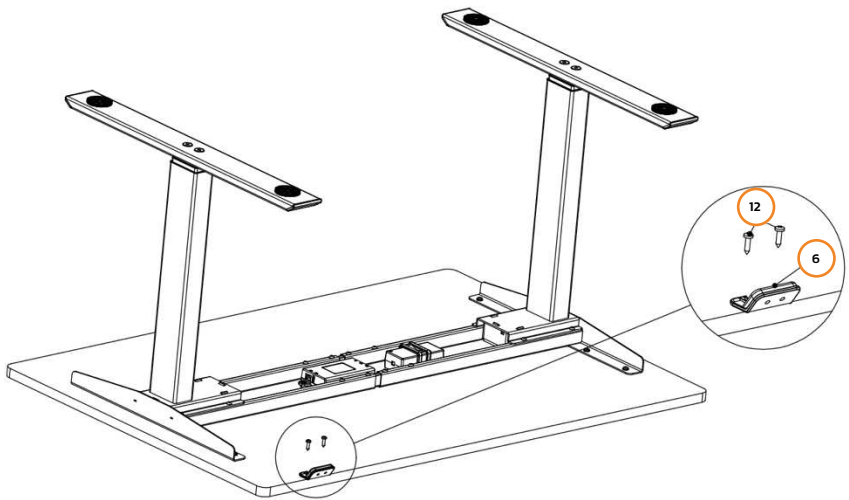
Information: Do not open the control box under any circumstances!

Step 6

Put the handset (6) on the edge of the tabletop wherever you like.

Fix the handset on the tabletop with the ST5×16 wood screws (12).

Plug the wire of the handset into the control box (7).



Step 7

Turn the assembled desk right side up. With at least two people, grab the foot of the desk (not the tabletop) and turn the desk on the right side up.

Adjust the pre-installed glides on the feet (5) if needed.

Step 8

Plug the power cord (15) into a 230V outlet.

FINISH: After you have finished the assembly, flip the table to the correct position with the help of another person. Do not attempt to flip it by yourself as the LeetDesk is very heavy (< 40 kg)!

Information: Most issues with your LeetDesk can be solved by doing a factory reset (see page 16).

How to use your LeetDesk

First Use

Before first use, please make sure that there are **no** obstacles in the way of the LeetDesk when moving it up or down. Make sure, that your desk is not directly touching the wall, as it could potentially damage your walls during movement.

Make sure all electronic devices that you plan to use at your table have cables that are long enough, even when the table is in the highest position.

Factory Reset

Do a factory reset before first using your LeetDesk:

1. Reset the control box by pressing and holding the Down/- button until the table has reached its lowest position.
2. Let go of the Down/- button and press and hold it again until the handset will display "RST".
3. Let go of the Down/- button and press it again and hold the button until the table moves down a little lower, then rises a little bit and stops. Then let go of the Down/- button.
4. Now your LeetDesk is ready for use!

General usage

Move your LeetDesk up and down with the Up/+ and Down/- buttons respectively. Simply press and hold the corresponding buttons until the desk has reached your preferred height. The current height will be displayed on the handset.

You can save your preferred height settings with the memory setting. In order to save your current desk height to one of the three memory settings, simply press the M button and then one of the numbered buttons.

Your LeetDesk will always move back to the position you saved all by itself after pressing the numbered button.

Anti-collision detection

All LeetDesk models have an anti-collision system. If during movement the LeetDesk is bumped or moved in any way, the table will cease movement and move to the opposite direction it was moving for about 1-2 cm.

This is to prevent accidentally damaging people or objects through the movement of the desk.

Technical specifications

Maximum lifting capacity	80 kg
Maximum stroke	650 mm
Lowest position	63 cm
Highest position	128 cm
Voltage	220 V - 240 V, 50 Hz
Usage Cycle	10% (2 minutes constant movement, 18 minutes off)
Movement speed (no load)	38 mm/s

Troubleshooting

Table is not working properly	Do a factory reset
Handset displays "RST"	Do a factory reset
Handset displays "E01" - "E13"	Check all cable connections and do a factory reset. If the problem persists, please contact us at info@leetdesk.com .
Handset displays "HOT"	The table legs have overheated, do not move the table for at least 18 minutes in order for them to cool down.

Should your problem not be listed here or persist after trying these steps, please contact us at info@leetdesk.com.



EU Conformity Declaration

ODYN GmbH
Oststraße 116
40210 Düsseldorf Germany

Product description:
Electrically height adjustable desk

Series:
LeetDesk 1.0

Product numbers:
1337-1, 1337-2, 1337-3

Plenipotentiary for the collection of technical documents:
ODYN GmbH, Oststraße 116, 40210 Düsseldorf

We hereby declare, that the products mentioned above meet all the requirements of the "Maschinenrichtlinie 2006/42/EG".

The above mentioned products also meet the requirements for the following:
Guideline 2014/35/EU (Niederspannungsrichtlinie) Guideline 2014/30/EU (Elektromagnetische Verträglichkeit)

13.07.2018

**Signature on Original
signed: Meiko Tse, CEO**